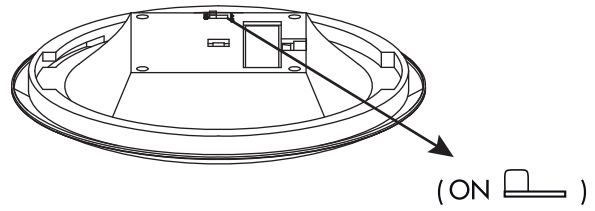


Art No:479-03

## FIRST USE

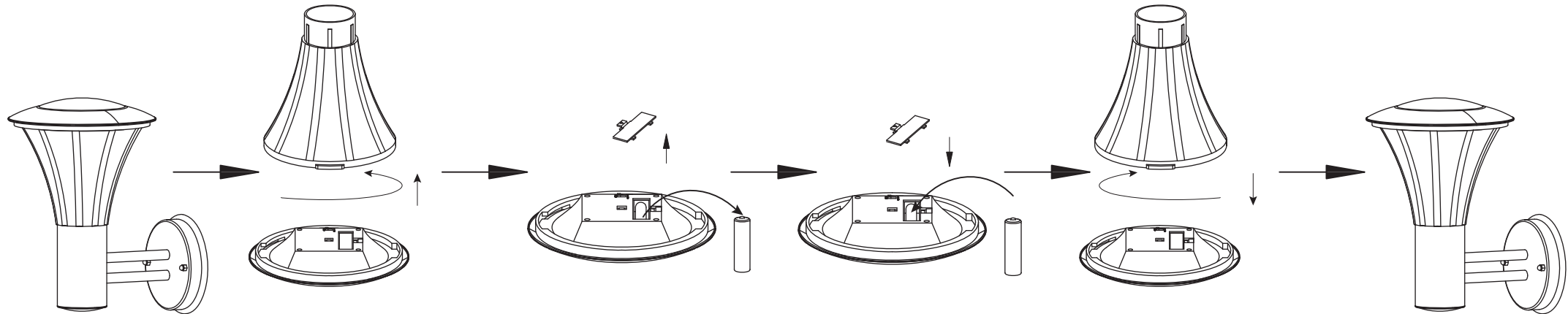
### STEP 1





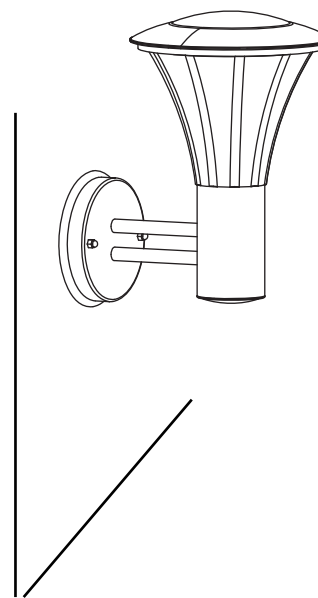
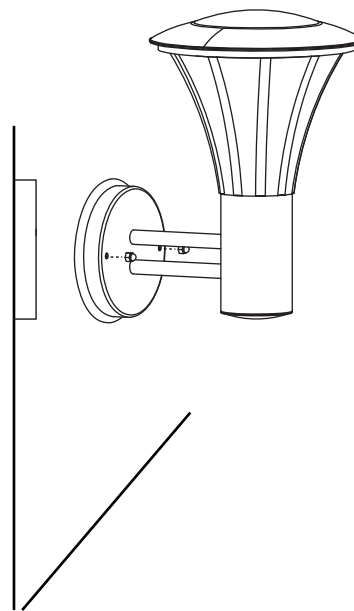
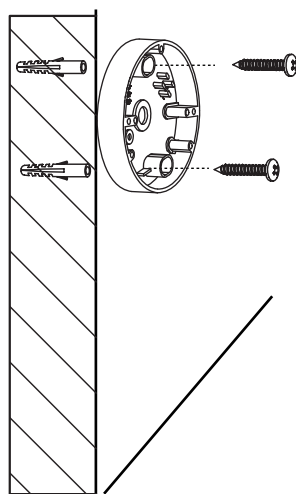
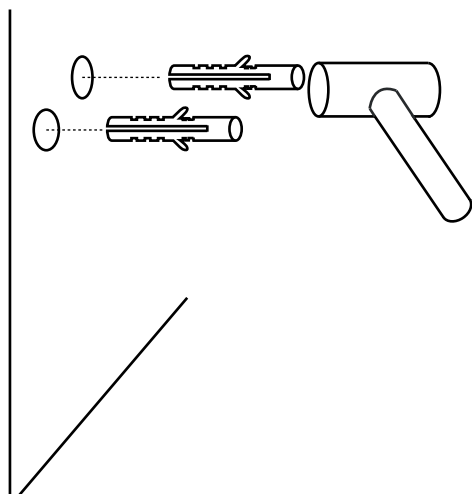
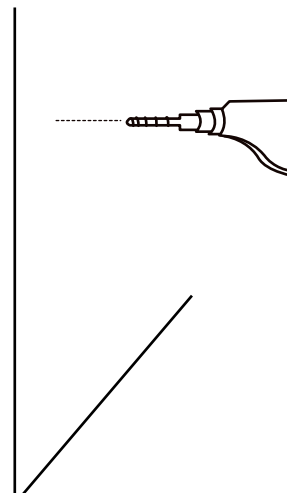
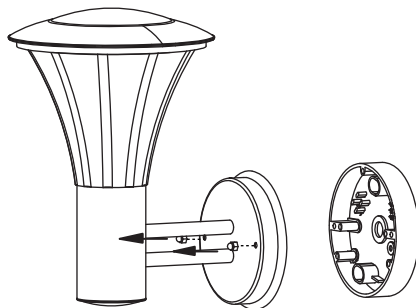
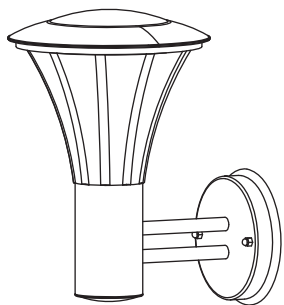
**STAR**  
TRADING

STAR STREET 1  
512 50 SVENLUNGA  
SWEDEN

## BATTERY REPLACEMENT



 x 2     x 2



**STAR**  
TRADING

STAR STREET 1  
512 50 SVENLJUNGA  
SWEDEN