



Washing Machine

User manual

WD90N6**** / WD80N6****

SAMSUNG



Contents

Safety information	4
What you need to know about the safety instructions	4
Important safety symbols	4
Important safety precautions	5
Instructions about the WEEE	15
Installation	16
What's included	16
Installation requirements	18
Step-by-step installation	20
Before you start	28
Initial settings	28
Laundry guidelines	28
Detergent drawer guidelines	31
Operations	34
Control panel	34
Simple steps to start	36
Cycle overview	38
Special features	42
Settings	44
SmartThings	45



Maintenance	50
Eco drum clean 	50
Smart Check 	51
Using Dry course	52
Emergency drain	53
Cleaning	54
Mesh filter	55
Recovery from freezing	58
Care against an extended time of disuse	58
Troubleshooting	59
Checkpoints	59
Information codes	62
Specifications	66
Fabric care chart	66
Protecting the environment	67
Specification sheet	68



Safety information

Congratulations on your new Samsung washing machine. This manual contains important information on the installation, use and care of your appliance. Please take some time to read this manual to take full advantage of your washing machine's many benefits and features.

What you need to know about the safety instructions

Please read this manual thoroughly to ensure that you know how to safely and efficiently operate the extensive features and functions of your new appliance. Please store the manual in a safe location close to the appliance for future reference. Use this appliance only for its intended purpose as described in this instruction manual.

Warnings and Important Safety Instructions in this manual do not cover all possible conditions and situations that may occur. It is your responsibility to use common sense, caution and care when installing, maintaining and operating your washing machine. Because the following operating instructions cover various models, the characteristics of your washing machine may differ slightly from those described in this manual and not all warning signs may be applicable. If you have any questions or concerns, contact your nearest service centre or find help and information online at www.samsung.com.

Important safety symbols

What the icons and signs in this user manual mean:

 **WARNING**

Hazards or unsafe practices that may result in **severe personal injury, death and/or property damage**.

 **CAUTION**

Hazards or unsafe practices that may result in **personal injury and/or property damage**.

 **NOTE**

Indicates that a risk of personal injury or material damage exists.

 **Read the instructions**



These warning signs are here to prevent injury to yourself and others.

Please follow them explicitly.

After reading this manual, store it in a safe place for future reference.

Read all instructions before using the appliance.

As with any equipment that uses electricity and moving parts, potential hazards exist. To safely operate this appliance, familiarize yourself with its operation and exercise care when using it.

Important safety precautions

WARNING

To reduce the risk of fire, electric shock, or injury to persons when using your appliance, follow basic precautions, including the following:

- 1.** This appliance is not to be used by persons (including children) with reduced physical, sensory or mental capabilities, or lack of experience and knowledge, unless they have been given supervision or instruction concerning use of the appliance by a person responsible for their safety.
- 2. For use in Europe:** This appliance can be used by children aged from 8 years and above and persons with reduced physical, sensory or mental capabilities or lack of experience and knowledge if they have been given supervision or instruction concerning use of the appliance in a safe way and understand the hazards involved. Children shall not play with the appliance. Cleaning and user maintenance shall not be made by children without supervision.
- 3.** Children should be supervised to ensure that they do not play with the appliance.
- 4.** If the supply cord is damaged, it must be replaced by the manufacturer, its service agent or similarly qualified persons in order to avoid a hazard.



Safety information

5. The new hose-sets supplied with the appliance are to be used and that old hose-sets should not be reused.
6. For appliances with ventilation openings in the base, that a carpet must not obstruct the openings.
7. **For use in Europe:** Children of less than 3 years should be kept away unless continuously supervised.
8. **CAUTION:** In order to avoid a hazard due to inadvertent resetting of the thermal cut-out, this appliance must not be supplied through an external switching device, such as a timer, or connected to a circuit that is regularly switched on and off by the utility.
9. The tumble dryer is not to be used if industrial chemicals have been used for cleaning.
10. The lint trap has to be cleaned frequently, if applicable.
11. Lint must not be allowed to accumulate around the tumble dryer. (not applicable for appliances intended to be vented to the exterior of the building)
12. Adequate ventilation has to be provided to avoid the back flow of gases into the room from appliances burning other fuels, including open fires.
13. Do not dry unwashed items in the tumble dryer.
14. Items that have been soiled with substances such as cooking oil, acetone, alcohol, petrol, kerosene, spot removers, turpentine, waxes and wax removers should be washed in hot water with an extra amount of detergent before being dried in the tumble dryer.
15. Items such as foam rubber (latex foam), shower caps, waterproof textiles, rubber backed articles and clothes or pillows fitted with foam rubber pads should not be dried in the tumble dryer.
16. Fabric softeners, or similar products, should be used as specified by the fabric softener instructions.



-
- 17.** The final part of a tumble dryer cycle occurs without heat (cool down cycle) to ensure that the items are left at a temperature that ensures that the items will not be damaged.
 - 18.** Remove all objects from pockets such as lighters and matches.
 - 19. WARNING:** Never stop a tumble dryer before the end of the drying cycle unless all items are quickly removed and spread out so that the heat is dissipated.
 - 20.** Exhaust air must not be discharged into a flue which is used for exhausting fumes from appliances burning gas or other fuels.
 - 21.** The appliance must not be installed behind a lockable door, a sliding door or a door with a hinge on the opposite side to that of the tumble dryer, in such a way that a full opening of the tumble dryer door is restricted.
 - 22. WARNING:** The appliance must not be supplied through an external switching device, such as a timer, or connected to a circuit that is regularly switched on and off by a utility.



Safety information

Critical installation warnings

WARNING

The installation of this appliance must be performed by a qualified technician or service company.

- Failure to do so may result in electric shock, fire, an explosion, problems with the product, or injury.

The appliance is heavy, therefore take care when lifting it.

Plug the power cord into an AC 220 - 240 V / 50 Hz wall socket or higher and use the socket for this appliance only. Never use an extension cord.

- Sharing a wall socket with other appliances using a power strip or extending the power cord may result in electric shock or fire.
- Ensure that the power voltage, frequency, and current are the same as those of the product specifications. Failure to do so may result in electric shock or fire. Plug the power plug into the wall socket firmly.

Remove all foreign substances such as dust or water from the power plug terminals and contact points using a dry cloth on a regular basis.

- Unplug the power plug and clean it with a dry cloth.
- Failure to do so may result in electric shock or fire.
- Plug the power plug into the wall socket so that the cord is running towards the floor. If you plug the power plug into the socket in the opposite direction, the electric wires within the cable may be damaged and this may result in electric shock or fire.

Keep all packaging materials out of the reach of children as these may be dangerous.

- If a child places a bag over its head, it may suffocate.
When the appliance, power plug or power cord is damaged, contact your nearest service centre.

This appliance must be properly grounded.

Do not ground the appliance to a gas pipe, plastic water pipe, or telephone line.

- This may result in electric shock, fire, an explosion, or problems with the product.
- Never plug the power cord into a socket that is not grounded correctly and make sure that it is in accordance with local and national regulations.

Do not install this appliance near a heater or any inflammable material.

Do not install this appliance in a humid, oily or dusty location, or in a location exposed to direct sunlight or water (rain drops).

Do not install this appliance in a location exposed to low temperatures.

- Frost may cause the tubes to burst.



Do not install this appliance in a location where gas may leak.

- This may result in electric shock or fire.

Do not use an electric transformer.

- This may result in electric shock or fire.

Do not use a damaged power plug, damaged power cord, or loose wall socket.

- This may result in electric shock or fire.

Do not pull or excessively bend the power cord.

Do not twist or tie the power cord.

Do not hook the power cord over a metal object, place a heavy object on the power cord, insert the power cord between objects, or push the power cord into the space behind the appliance.

- This may result in electric shock or fire.

Do not pull the power cord when unplugging the power plug.

- Unplug the power plug by holding the plug.
- Failure to do so may result in electric shock or fire.

This appliance should be positioned so that the power plug, the water supply taps, and the drain pipes are accessible.



Safety information

Installation cautions

CAUTION

This appliance should be positioned in such a way that the power plug is easily accessible.

- Failure to do so may result in electric shock or fire due to electric leakage.

Install your appliance on a solid, level floor that can support its weight.

- Failure to do so may result in abnormal vibrations, movement, noise, or problems with the product.

Critical usage warnings

WARNING

If the appliance is flooded, turn off the water & power supplies immediately and contact your nearest service centre.

- Do not touch the power plug with wet hands.
- Failure to do so may result in electric shock.

If the appliance generates a strange noise, a burning smell, or smoke, unplug the power plug immediately and contact your nearest service centre.

- Failure to do so may result in electric shock or fire.

In the event of a gas leak (such as propane gas, LP gas, etc.), ventilate immediately without touching the power plug. Do not touch the appliance or power cord.

- Do not use a ventilating fan.
- A spark may result in an explosion or fire.

Do not let children play in or on the washing machine. In addition, when disposing of the appliance, remove the washing machine door lever.

- If trapped inside the product, children may suffocate to death.

Make sure to remove the packaging (sponge, styrofoam) attached to the bottom of the washing machine before using it.

Do not wash items contaminated with gasoline, kerosene, benzene, paint thinner, alcohol or other inflammable or explosive substances.

- This may result in electric shock, fire, or an explosion.



Do not open the washing machine door by force while it is operating (high-temperature washing/drying/spinning).

- Water flowing out of the washing machine may result in burns or cause the floor to be slippery. This may result in injury.
- Opening the door by force may result in damage to the product or injury.

Do not insert your hand under the washing machine while an operation is in progress.

- This may result in injury.

Do not touch the power plug with wet hands.

- This may result in electric shock.

Do not turn the appliance off by unplugging the power plug while an operation is in progress.

- Plugging the power plug into the wall socket again may cause a spark and result in electric shock or fire.

Do not let children or the infirm use this washing machine without proper supervision. Do not let children climb in or onto the appliance.

- This may result in electric shock, burns or injury.

Do not insert your hand or a metal object under the washing machine while it is operating.

- This may result in injury.

Do not unplug the appliance by pulling the power cord. Always grip the plug firmly and pull it straight out of the outlet.

- Damage to the power cord may cause a short-circuit, fire and/or electric shock.

Do not attempt to repair, disassemble, or modify the appliance yourself.

- Do not use a fuse (such as copper, steel wire, etc.) other than a standard fuse.
- When the appliance needs to be repaired or reinstalled, contact your nearest service centre.
- Failure to do so may result in electric shock, fire, problems with the product, or injury.

If the water supply hose comes loose from the water tap and floods the appliance, unplug the power plug.

- Failure to do so may result in electric shock or fire.

Unplug the power plug when the appliance is not being used for long periods of time or during a thunder or lightning storm.

- Failure to do so may result in electric shock or fire.

If any foreign substance enters into the appliance, unplug the power plug and contact your nearest Samsung Customer Service.

- This may result in electric shock or fire.

Do not let children (or pets) play in or on your washing machine. The washing machine door does not open easily from the inside and children may be seriously injured if trapped inside.



Safety information

Usage cautions

CAUTION

When the washing machine is contaminated by a foreign substance such as detergent, dirt, food waste, etc., unplug the power plug and clean the washing machine using a damp, soft cloth.

- Failure to do so may result in discolouration, deformation, damage, or rust.

The front glass may be broken by a strong impact. Take care when using the washing machine.

- If the glass is broken, it may result in injury.

After a water supply failure or when reconnecting the water supply hose, open the water tap slowly.

Open the water tap slowly after a long period of non-use.

- The air pressure in the water supply hose or the water pipe may damage a product part or result in a water leak.

If a draining error occurs during an operation, check if there is a draining problem.

- If the washing machine is used when it is flooded because of a draining problem, it may result in electric shock or fire.

Insert the laundry into the washing machine completely so that the laundry does not get caught in the door.

- If laundry gets caught in the door, it may result in damage to the laundry or the washing machine, or result in a water leak.

Turn the water supply off when the washing machine is not being used.

Ensure that the screws on the water supply hose connector are properly tightened.

- Failure to do so may result in property damage or injury.

Ensure that the rubber seal and front door glass are not contaminated by a foreign substance (e.g. waste, thread, hair, etc.).

- If a foreign substance is caught in the door or the door is not completely closed, it may cause a water leak.

Open the water tap and check if the water supply hose connector is firmly tightened and that there is no water leak before using the product.

- If the screws on the water supply hose connector are loose, it may result in a water leak.

The product you have purchased is designed for domestic use only.



Using the product for business purposes qualifies as a product misuse. In this case, the product will not be covered by the standard warranty provided by Samsung and no responsibility can be attributed to Samsung for malfunctions or damages resulting from such misuse.

Do not stand on the appliance or place objects (such as laundry, lighted candles, lighted cigarettes, dishes, chemicals, metal objects, etc.) on the appliance.

- This may result in electric shock, fire, problems with the product, or injury.

Do not spray volatile material such as insecticide onto the surface of the appliance.

- As well as being harmful to humans, this may result in electric shock, fire or problems with the product.

Do not place objects that generate electromagnetic fields near the washing machine.

- This may result in injury due to a malfunction.

Water drained during a high-temperature wash or drying cycle is hot. Do not touch the water.

- This may result in burns or injury.

Do not wash, spin, or dry water-proof seats, mats, or clothing (*) unless your appliance has a special cycle for washing these items.

(*): Woollen bedding, rain covers, fishing vests, ski pants, sleeping bags, diaper covers, sweat suits, and bicycle, motor cycle and car covers, etc.

- Do not wash thick or hard mats even if the washing machine mark is on the care label. This may result in injury or damage to the washing machine, walls, floor, or clothing due to abnormal vibrations.
- Do not wash throw rugs or doormats with rubber backing. The rubber backing may come off and stick to inside the drum, and this may result in malfunction such as a drainage error.

Do not operate the washing machine when the detergent drawer is removed.

- This may result in electric shock or injury due to a water leak.

Do not touch the insides of the drum during or just after drying as it is hot.

- This may result in burns.

Do not insert your hand into the detergent drawer.

- This may result in injury as your hand may be caught by the detergent input device.
- The liquid detergent guide (applicable models only) is not used for powder detergent. Remove the guide when using powder detergent.

Do not place any objects (such as shoes, food waste, animals) other than laundry into the washing machine.

- This may result in damage to the washing machine, or injury and death in the case of pets due to the abnormal vibrations.



Safety information

Do not press the buttons using sharp objects such as pins, knives, fingernails, etc.

- This may result in electric shock or injury.

Do not wash laundry contaminated by oils, creams or lotions usually found in skincare shops or massage clinics.

- This may cause the rubber seal to become deformed and result in a water leak.

Do not leave metal objects such as safety pins, hair pins or bleach in the drum for long periods of time.

- This may cause the drum to rust.
- If rust starts appearing on the surface of the drum, apply a (neutral) cleansing agent to the surface and use a sponge to clean it. Never use a metal brush.

Do not use dry cleaning detergent directly and do not wash, rinse, or spin laundry contaminated by dry cleaning detergent.

- This may result in spontaneous combustion or ignition due to the heat from the oxidation of the oil.

Do not use water from water cooling/heating devices.

- This may result in problems with the washing machine.

Do not use natural hand-washing soap for the washing machine.

- If it hardens and accumulates inside the washing machine, it may result in problems with the product, discolouration, rust, or bad odours.

Place socks and brassieres in a washing net and wash them with the other laundry.

Do not wash large laundry items such as bedding in the washing net.

- Failure to do so may result in injury due to abnormal vibrations.

Do not use hardened detergent.

- If it accumulates inside the washing machine, it may result in a water leak.

Make sure that the pockets of all the clothing items to be washed are empty.

- Hard, sharp objects such as coins, safety pins, nails, screws, or stones can cause extensive damage to the appliance.

Do not wash clothing with large buckles, buttons or other heavy metal objects.

Sort the laundry by color on the basis of its colorfastness and select the recommended cycle, water temperature and additional functions.

- This may result in discoloration or fabric damage.

Take care that children's fingers are not caught in the door when you close it.

- Failure to do so may result in injury.



Critical cleaning warnings

WARNING

Do not clean the appliance by spraying water directly onto it.

Do not use the a strong acidic cleaning agent.

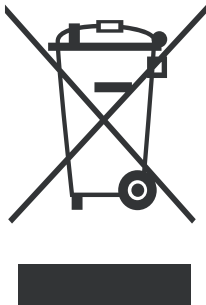
Do not use benzene, thinner or alcohol to clean the appliance.

- This may result in discolouration, deformation, damage, electric shock or fire.

Before cleaning or performing maintenance, unplug the appliance from the wall socket.

- Failure to do so may result in electric shock or fire.

Instructions about the WEEE



Correct Disposal of This Product (Waste Electrical & Electronic Equipment)

(Applicable in countries with separate collection systems)

This marking on the product, accessories or literature indicates that the product and its electronic accessories (e.g. charger, headset, USB cable) should not be disposed of with other household waste at the end of their working life. To prevent possible harm to the environment or human health from uncontrolled waste disposal, please separate these items from other types of waste and recycle them responsibly to promote the sustainable reuse of material resources.

Household users should contact either the retailer where they purchased this product, or their local government office, for details of where and how they can take these items for environmentally safe recycling.

Business users should contact their supplier and check the terms and conditions of the purchase contract. This product and its electronic accessories should not be mixed with other commercial wastes for disposal.

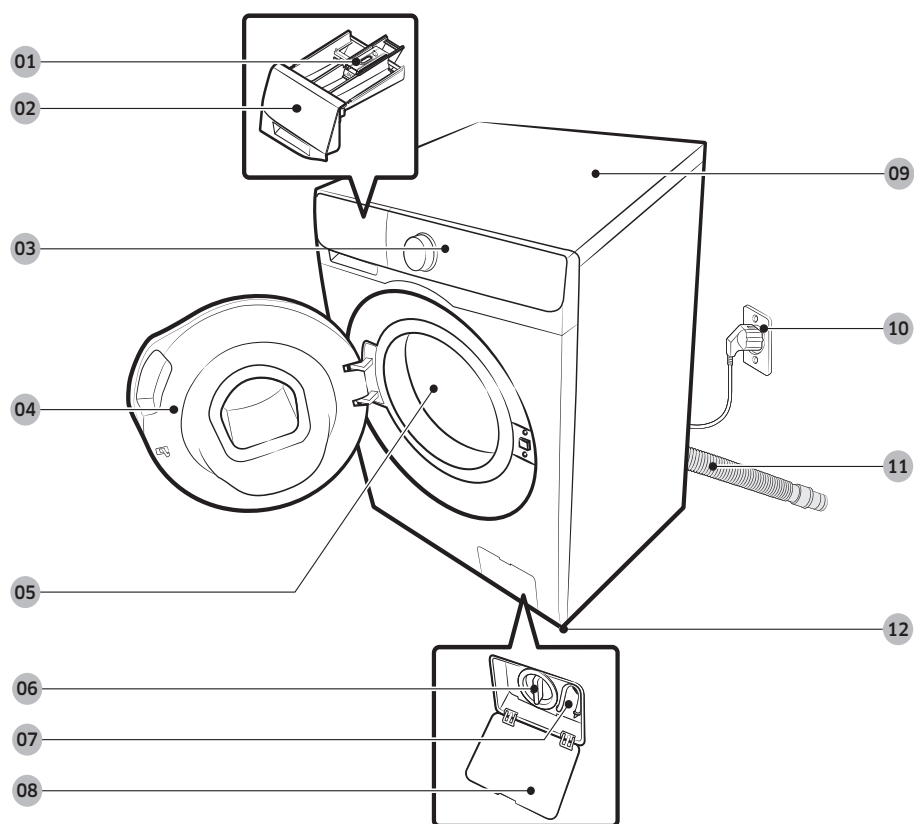
For information on Samsung's environmental commitments and product specific regulatory obligations e.g. REACH visit: samsung.com/uk/aboutsamsung/samsungelectronics/corporatecitizenship/data_corner.html

Installation

Follow these instructions carefully to ensure proper installation of the washing machine and to prevent accidents when doing laundry.

What's included

Make sure all the parts are included in the product package. If you have a problem with the washing machine or the parts, contact a local Samsung customer centre or the retailer.



01 Release lever

02 Detergent drawer

03 Control panel

04 Door

05 Drum

06 Pump filter

07 Emergency drain tube

08 Filter cover

09 Worktop

10 Power plug

11 Drain hose

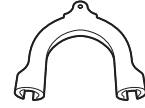
12 Levelling feet



Spanner



Bolt caps



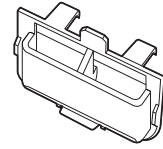
Hose guide



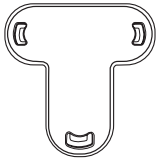
Cold water hose



Hot water hose



Liquid detergent guide



Cap Fixer

NOTE

- Bolt caps : The provided number (3 to 6) of bolt caps depends on the model.
- Hot water hose: Applicable models only.
- Liquid detergent guide: Applicable models only.



Installation

Installation requirements

Electrical supply and grounding

- AC 220-240 V / 50 Hz fuse or circuit breaker is required
- Use an individual branch circuit specific to the washing machine

To ensure proper grounding, the washing machine comes with a power cord featuring a three-prong grounding plug for use in a properly installed and grounded outlet. Check with a qualified electrician or serviceperson if you are not sure about the grounding.

Do not modify the provided plug. If it does not fit the outlet, call a qualified electrician to install a proper outlet.

WARNING

- Do NOT use an extension cord.
- Use only the power cord that comes with the washing machine.
- Do NOT connect the ground wire to plastic plumbing, gas lines, or hot water pipes.
- Improperly connected grounding conductors may cause electric shock.

Water supply

A proper water pressure for this washing machine is between 50 kPa and 800 kPa. Water pressure less than 50 kPa may cause the water valve not to close completely. Or, it may take longer to fill the drum, causing the washing machine to turn off. Water taps must be within 120 cm from the rear of the washing machine so that the provided inlet hoses reach the washing machine.

To reduce the risk of leaks:

- Make sure water taps are easily accessible.
- Turn off the taps when the washing machine is not in use.
- Check for any leaks at the water inlet hose fittings on a regular basis.

CAUTION

Before using the washing machine for the first time, check all connections at the water valve and taps for any leaks.

Drain

Samsung recommends a standpipe in height of 60-90 cm. The drain hose must be connected through the hose clip to the standpipe, and the standpipe must fully cover the drain hose.



Flooring

For best performance, the washing machine must be installed on a solid floor. Wood floors may need to be reinforced to minimize vibration and/or unbalanced loads. Carpeting and soft tile surfaces are not a good resistance to vibrations and may cause the washing machine to move slightly during the spin cycle.

CAUTION

Do NOT install the washing machine on a platform or a poorly supported structure.

Water temperature

Do not install the washing machine in areas where water may freeze as the washing machine always retains some water in its water valves, pumps, and/or hoses. Frozen water left in the connection parts may cause damage to belts, the pump, and other components of the washing machine.

Alcove or closet installation

Minimum clearance for stable operation:

Sides	25 mm
Top	25 mm
Rear	50 mm
Front	550 mm

If both the washing machine and a dryer are installed in the same location, the front of the alcove or closet must have at least a 550 mm unobstructed air opening. Your washing machine alone does not require a specific air opening.



Installation

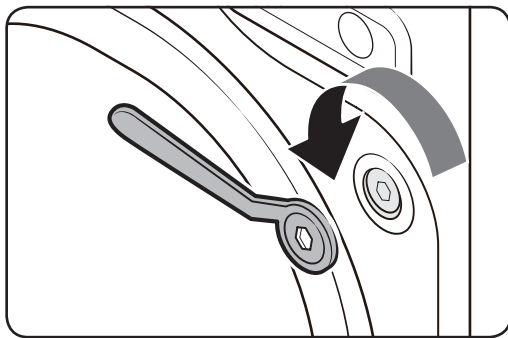
Step-by-step installation

STEP 1 Select a location

Location requirements:

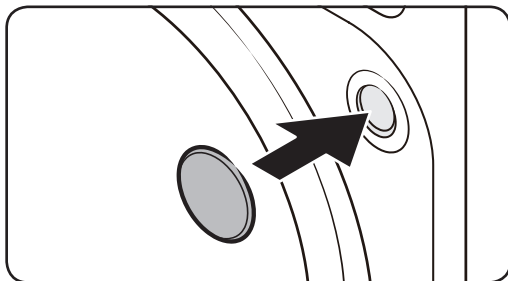
- Solid, level surface without carpeting or flooring that may obstruct ventilation
- Away from direct sunlight
- Adequate room for ventilation and wiring
- The ambient temperature is always higher than the freezing point (0 °C)
- Away from a heat source

STEP 2 Remove the shipping bolts



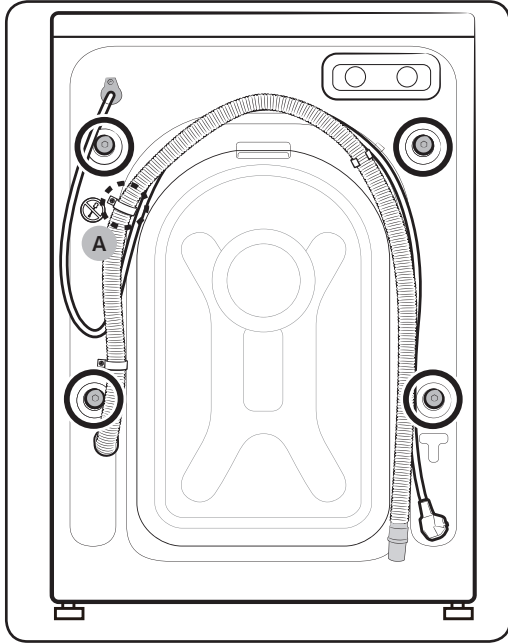
Unpack the product package and remove all shipping bolts.

1. Loosen all shipping bolts on the rear of the machine using the supplied spanner.



2. Fill the holes with the supplied plastic bolt caps.
Keep the shipping bolts for future use.





3. Close all plastic bolt caps on the rear of the washing machine.

⚠ CAUTION

Do not remove the screw (A) that fixes the hose clip.

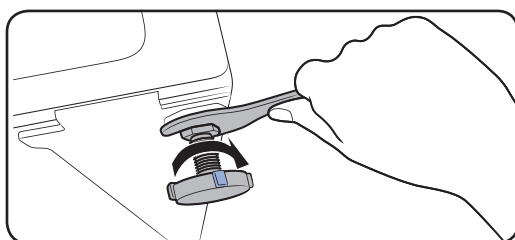
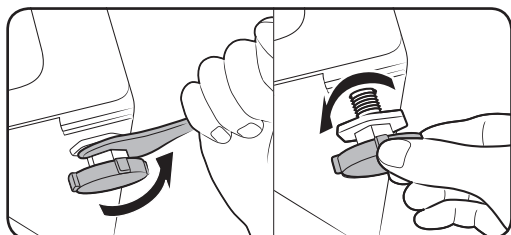
⚠ WARNING

Packaging materials can be dangerous to children. Dispose all packaging material (plastic bags, polystyrene, etc.) out of children's reach.



Installation

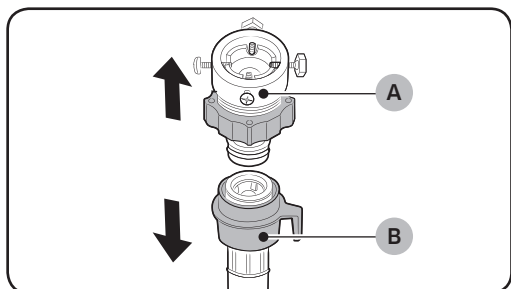
STEP 3 Adjust the levelling feet



1. Gently slide the washing machine into position. Excessive force may damage the levelling feet.
2. Level the washing machine by manually adjusting the levelling feet.
3. When levelling is complete, tighten the nuts using the spanner.

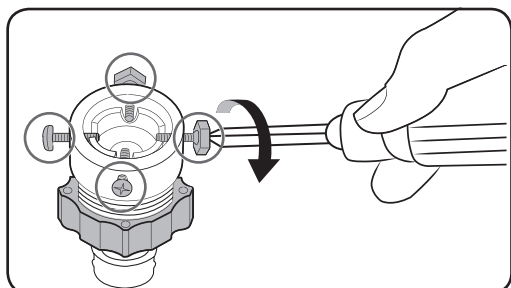
STEP 4 Connect the water hose

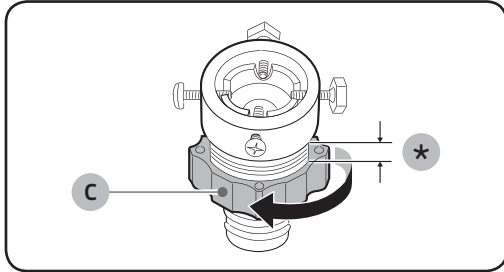
The provided hose adaptor may differ with the model. This step guides you through connecting the connector-type adaptor. If you are provided with the screw-type adaptor, go to 7.



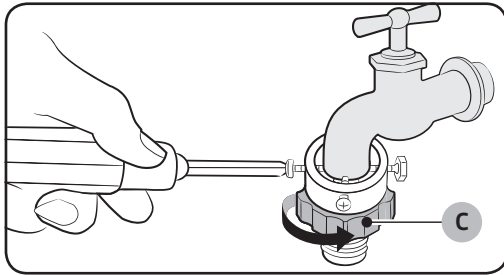
Connect the water hose to the water tap.

1. Remove the adaptor (A) from the water hose (B).
2. Use a Philips screwdriver to loosen four screws on the adaptor.

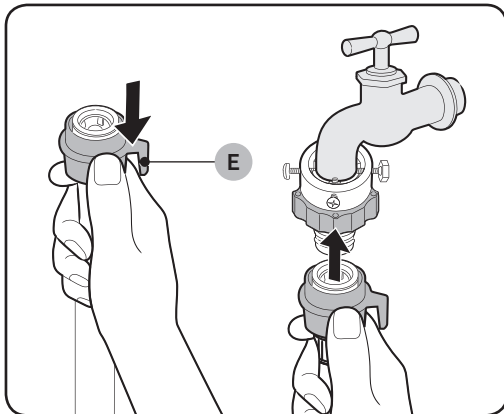




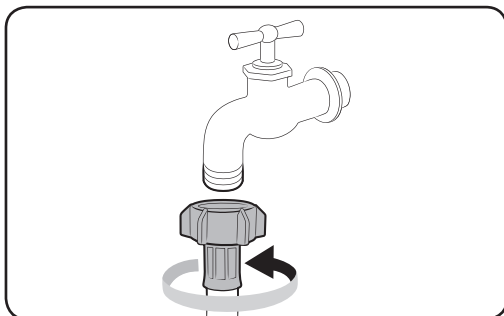
3. Hold the adaptor and turn part (C) in the arrow direction to loosen it by 5 mm (*).



4. Insert the adaptor into the water tap, and tighten the screws while lifting up the adaptor.
5. Turn part (C) in the arrow direction to tighten it.



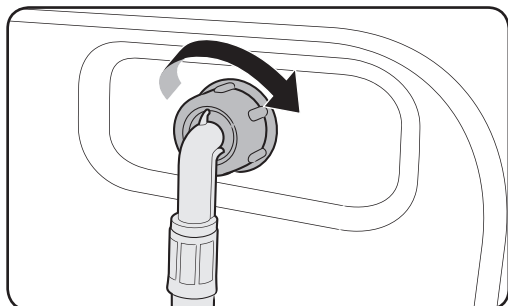
6. While holding down part (E), connect the water hose to the adaptor. Then, release part (E). The hose fits into the adaptor with a clicking sound.



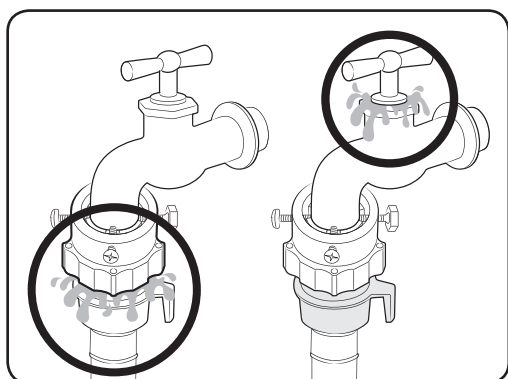
7. If you are using a screw type of water tap, use the provided screw-type adaptor to connect to the water tap as shown.



Installation



8. Connect the other end of the water hose to the inlet valve on the back of the washing machine. Turn the hose clockwise to tighten.



9. Open the water tap and check if there are any leaks around the connection areas. If there are water leaks, repeat the steps above.

WARNING

Stop using the washing machine if there is a water leak, and contact a local Samsung service centre. Otherwise, this may cause electric shock.

CAUTION

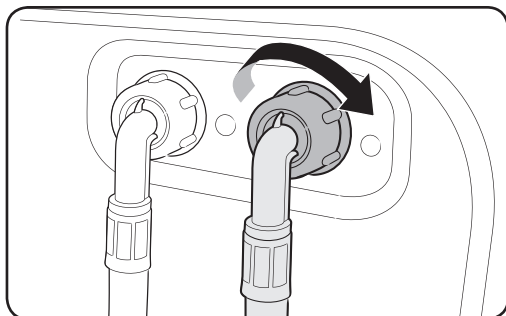
Do not stretch the water hose by force. If the hose is too short, replace the hose with a longer, high-pressure hose.

NOTE

- After connecting the water hose to the adaptor, check if it is connected properly by pulling the water hose downwards.
- Use a popular type of water taps. If the tap is square-shaped or too big, remove the spacer ring before inserting the tap into the adaptor.

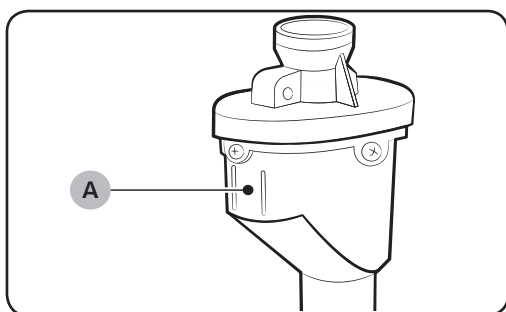


For models with an additional hot water inlet:



1. Connect the red end of the hot water hose to the hot water inlet on the back of the machine.
2. Connect the other end of the hot water hose to the hot water tap.

Aqua hose (applicable models only)



The aqua hose alerts users of a risk of water leaks. It senses the water flow and turns red on the centre **indicator (A)** in case of a leak.

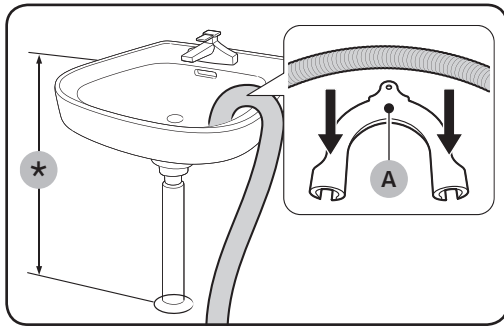
NOTE

The end of the aqua stop hose must be fitted to the water tap and not the machine.

Installation

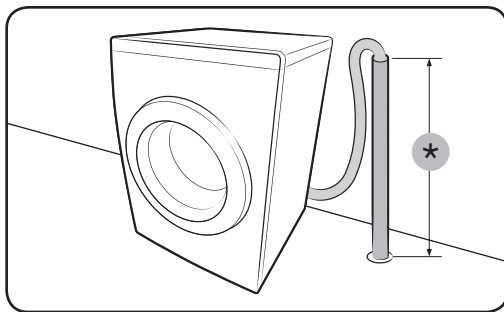
STEP 5 Position the drain hose

The drain hose can be positioned in three ways:



Over the edge of a wash basin

The drain hose must be placed at a height of between 60 cm and 90 cm (*) from the floor. To keep the spout of the drain hose bent, use the supplied **plastic hose guide (A)**. Secure the guide to the wall using a hook to ensure stable drainage.

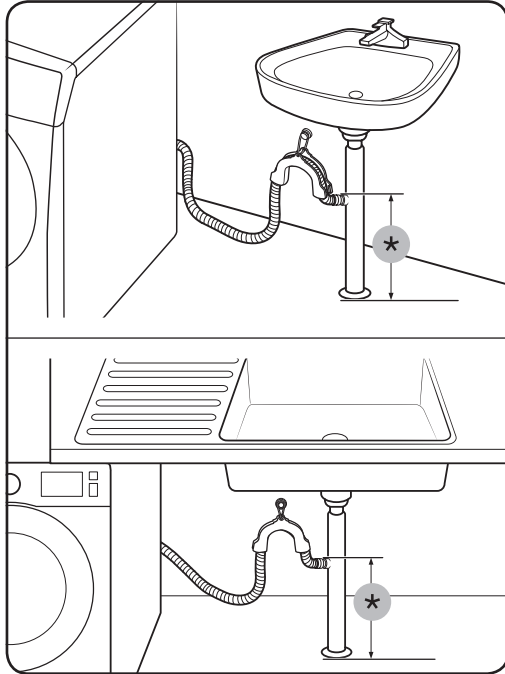


In a drain pipe

The drain pipe should be between 60 cm and 90 cm high (*). It is advisable to use a 65 cm high vertical pipe. Make sure the drain hose is connected to the stand pipe at a slant.

Drain standpipe requirements:

- Minimum diameter of 5 cm
- Minimum carry-away capacity of 60 litres per minute



In a sink drain pipe branch

The drain pipe branch must be above the sink siphone so that the end of the hose is at least 24 in. (60 cm) above the ground.

(*) : 24 in. (60 cm)

STEP 6 Power on

Plug the power cord into a wall socket featuring an AC 220-240 V / 50 Hz approved electrical outlet protected by a fuse or circuit breaker. Then, press **Power** to turn on the washing machine.



Before you start

Initial settings

Run Calibration (recommended)

Calibration ensures accurate weight detection by the washing machine. Make sure the drum is empty before running Calibration.

1. Power off, and then power on the washing machine.
2. Hold down **Temp.** and **Delay End +** simultaneously for 3 seconds to enter Calibration mode. The “Cb” message appears.
3. Press **Start/Pause (Hold to Start)** to run the Calibration cycle.
4. The drum will rotate clockwise and counter-clockwise for about 3 minutes.
5. When the cycle is complete, “0” appears on the display and the washing machine will turn off automatically. The washing machine is now ready for use.

Laundry guidelines

STEP 1 Sort

Sort the laundry according to these criteria:

- Care Label: Sort the laundry into cottons, mixed fibres, synthetics, silks, wools, and rayon.
- Colour: Separate whites from colours.
- Size: Mixing different-sized items together in the drum improves the washing performance.
- Sensitivity: Wash delicate items separately for pure, new woollen items, curtains, and silk items. Check the labels on the items.

NOTE

Make sure to check the care label on the clothing, and sort them accordingly before starting the wash.



STEP 2 Empty pockets

Empty all the pockets of your laundry items

- Metal objects such as coins, pins, and buckles on clothing may damage other laundry items as well as the drum.

Turn clothing with buttons and embroideries inside out

- If pants or jacket zippers are open while washing, the drum may be damaged. Zippers should be closed and fixed with a string.
- Clothing with long strings may become entangled with other clothes. Make sure to tie the strings before starting the wash.

STEP 3 Use a laundry net

- Brassieres (water washable) must be placed in a laundry net. Metal parts of the brassieres may break through and tear other laundry items.
- Small, light clothing such as socks, gloves, stockings, and handkerchiefs may become caught around the door. Place them inside a fine laundry net.
- Do not wash the laundry net by itself without other laundry. This may cause abnormal vibrations that could move the washing machine and result in injury.

STEP 4 Prewash (if necessary)

Select the Prewash option for the selected course if the laundry is heavily soiled. Do not use the Prewash option when detergent is manually added into the drum or if applying liquid detergent.

STEP 5 Determine the load capacity

Do not overload the washing machine. Overloading may cause the washing machine to not wash properly. For the load capacity for the type of clothing, see page 37.

NOTE

When washing bedding or bedding covers, the wash time may be lengthened or the spin efficiency may be reduced. For bedding or bedding covers, the recommended maximum spin cycle speed is 800 rpm, and the load capacity is 2.0 kg or less.

CAUTION

- Unbalanced laundry may reduce the spinning performance.
- Make sure the laundry is fully inserted in the drum and not caught in the door.
- Do not slam the door. Close the door gently. Otherwise, the door may not be closed properly.

Before you start



STEP 6 Apply a proper detergent type

The type of detergent depends on the type of fabric (cotton, synthetic, delicate items, wool), colour, wash temperature, and degree of soiling. Make sure to use the laundry detergent that is designed for automatic washing machines.

NOTE

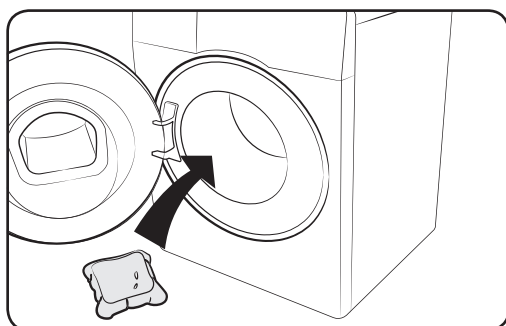
- Follow the detergent manufacturer's recommendations based on the weight of the laundry, the degree of soiling, and the hardness of the water in your local area. If you are not sure about the water hardness, contact a local water authority.
- Do not use detergent that tends to be hardened or solidified. This detergent may remain after the rinse cycle, blocking the drain outlet.
- If too many bubbles occur during a cycle, a message of 'Sud' will be displayed.

CAUTION

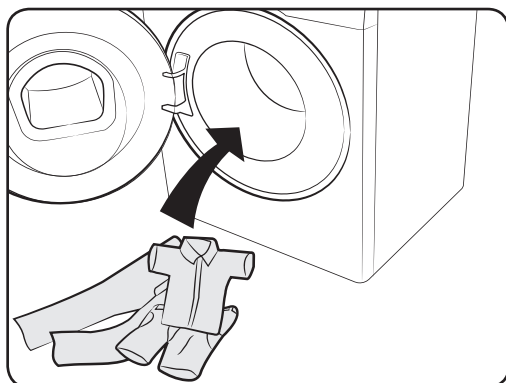
When washing wool using the **WOOL**  cycle, use a detergent dedicated to wool items. If used with the **WOOL**  cycle, powder detergent may remain on the laundry and discolour the laundry.

Laundry capsules

To get the best results from using laundry capsules, please follow these instructions.



1. Put the capsule in the bottom of the empty drum towards the rear.



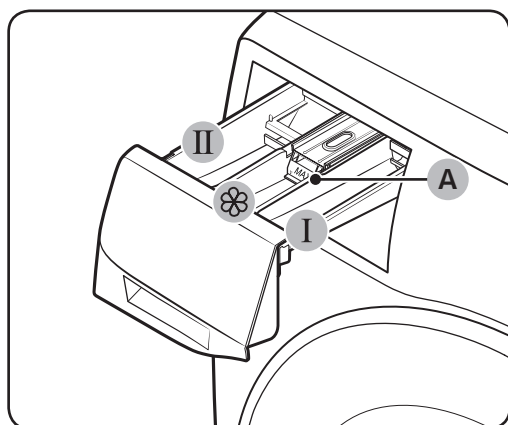
2. Put the laundry in the drum on top of the capsule.


CAUTION

For cycles using cold water or cycles that complete in less than one hour, the capsule may not dissolve completely.

Detergent drawer guidelines

The washing machine provides a three-compartment dispenser: the left compartment for the main wash, the centre for fabric softeners, and the right for the preliminary wash.



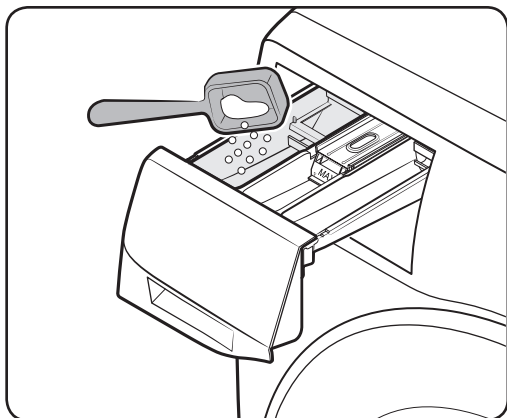
- 01** **I** **Prewash compartment:** Apply prewash detergent or starch.
- 02** **II** **Main-wash compartment:** Apply main-wash detergent, water softener, soaking detergent, bleach, and/or stain removers.
- 03**  **Softener compartment:** Apply additives such as fabric softener. Do not exceed the **max line (A)**.

CAUTION

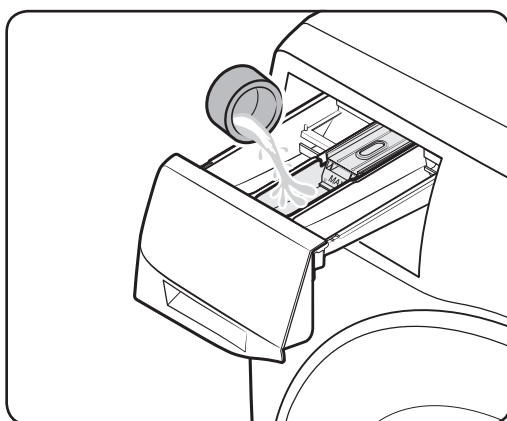
- Do not open the detergent drawer while the washing machine is operating.
- Do not use the following types of detergent:
 - Tablet or capsule types
 - Ball or net types
- To prevent the compartment clogging, concentrated or highly-enriched agents (fabric softener or detergent) must be diluted with water before being applied.
- Before moving the washing machine, make sure to empty the detergent drawer that might contain detergent and/or fabric softener. The content in the drawer may spill out on the floor.

Before you start

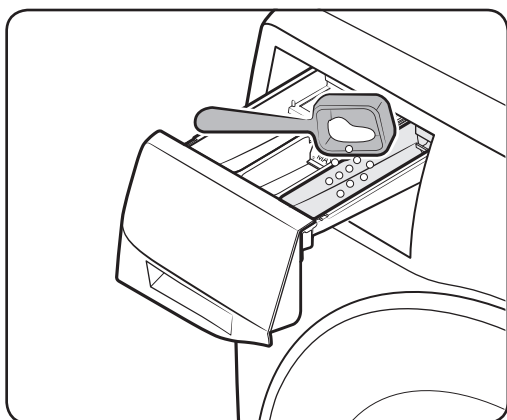
To apply washing agents to the detergent drawer



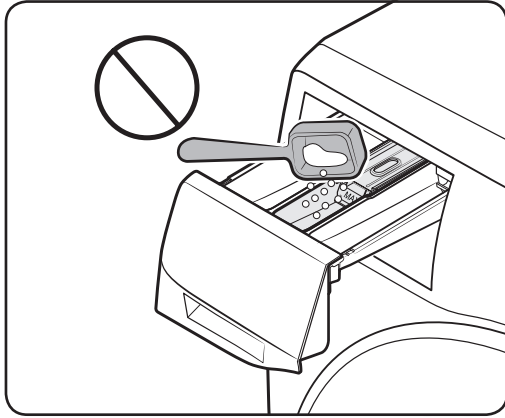
1. Slide open the detergent drawer.
2. Apply laundry detergent to the **II** **main-wash compartment** as instructed or recommended by the manufacturer. To use liquid detergent, see page 33.




3. Apply fabric softener to the **softener compartment**. Do not exceed the max line.



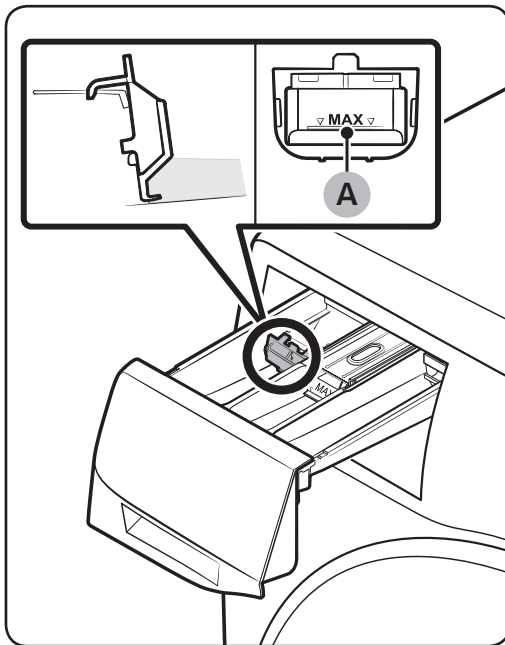
4. If you want to prewash, apply prewash detergent to the **I** **prewash compartment** as instructed or recommended by the manufacturer.
5. Close the detergent drawer.



CAUTION

- Do not apply powder detergent to the liquid detergent guide.
- Concentrated fabric softener must be diluted with water before applied.
- Do not apply main-wash detergent to the  softener compartment.

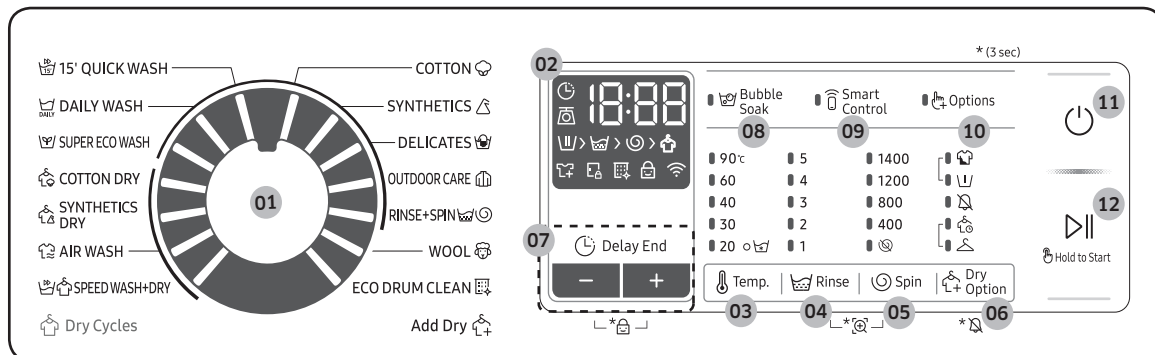
To use liquid detergent (applicable models only)



First insert the provided liquid detergent container in the **II** main-wash compartment. Then, apply liquid detergent to the container below the marked **max** line (A).

Operations

Control panel



01 Cycle Selector	Turn the dial to select a cycle.
02 Display	The display shows current cycle information and estimated time remaining, or an information code when a problem occurs. For buttons and icons, refer to the corresponding page.
03 Temp.	Press to change the water temperature for the current cycle.
04 Rinse	Press to change the rinse count for the current cycle. You can set the rinse count to a max of 5, depending on the cycle.
05 Spin	Press to change the spinning speed for the current cycle. The revolutions per minute (RPM) differs with the model. <ul style="list-style-type: none"> • Rinse Hold(No indicator): The final rinse process is suspended so that the laundry remains in the water. To unload the laundry, run a drain or spin process. <ul style="list-style-type: none"> - To use the Rinse Hold option, press Spin repeatedly until all rpm numeric indicators turn off. Not available for the DRAIN/ SPIN cycle. • No Spin : The drum does not rotate after the final drain process. <ul style="list-style-type: none"> - To use the No Spin option, press Spin repeatedly until the No Spin (🌀) indicator turns on. • Spin Only: To run the Spin Only cycle, press Spin for 3 seconds. When the cycle time and spinning speed appear, press Spin repeatedly until a desired spinning speed is selected. Then, press and hold Start/Pause (Hold to Start) to start the cycle. The spinning time depends on the selected cycle.

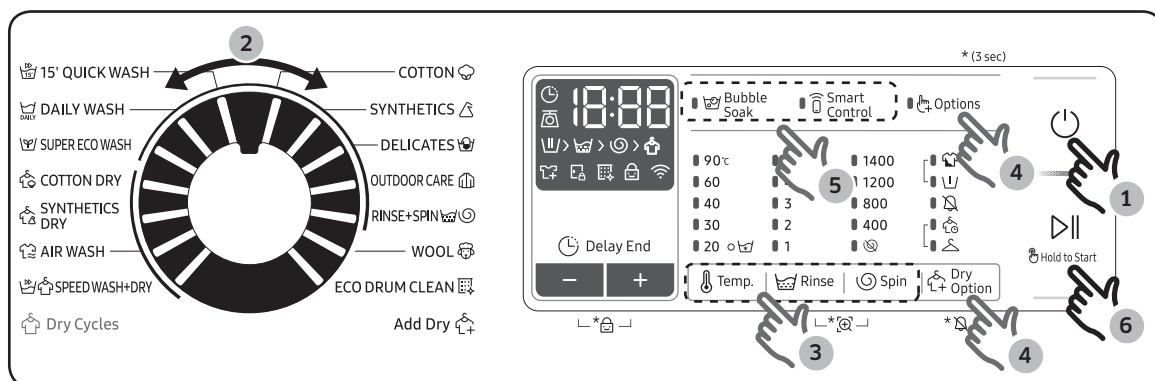
06 Dry Option	<p>Press to select a drying level: Cupboard > Time Dry (30 min > 1:00 h > 1:30 h > 2:00 h > 2:30 h > 3:00 h > 3:30 h > 4:00 h > 4:30 h) > No Dry</p> <ul style="list-style-type: none"> • Cupboard Dry: Use this option to dry laundry such as cotton, underwear, and linen. • Time Dry: Use this option to dry the laundry for the specified period of time depending on the fibres, amount of laundry quantity and moisture. • No Dry: Use this option if not using a drying cycle.
07 Delay End	<p>Delay End lets you set the end time of the current cycle. Based on your settings, the start time of the cycle will be determined by the machine's internal logic. For example, this setting is useful for programming your machine to finish a wash at the time you normally return home from work.</p> <ul style="list-style-type: none"> • Press to choose a preset unit of hours.
08 Bubble Soak	<p>Press to activate/deactivate the Bubble Soak function. This function helps remove a wide variety of stubborn stains.</p> <ul style="list-style-type: none"> • Bubble Soak helps remove a variety of stubborn stains. • With Bubble Soak selected, laundry is thoroughly soaked in water bubbles for effective washing. • Bubble Soak is available with and adds up to 30 minutes to these cycles: Cotton, Synthetics, Daily Wash and Speed Wash+Dry.
09 Smart Control	<p>Press to activate/deactivate the Smart Control function. When the Smart Control function is activated, you can control your washing machine using your mobile device. For more information, see the SmartThings section on page 45.</p>
10 Options	<p>Press to select the options. Availability of the options depends on the cycle.</p>
11 Power	<p>Press to turn on/off the washing machine.</p>
12 Start/Pause (Hold to Start)	<p>Press and hold to start an operation, or press to stop an operation temporarily.</p>

For more information on the options, see the Special features section.

Operations

Simple steps to start

Standard steps



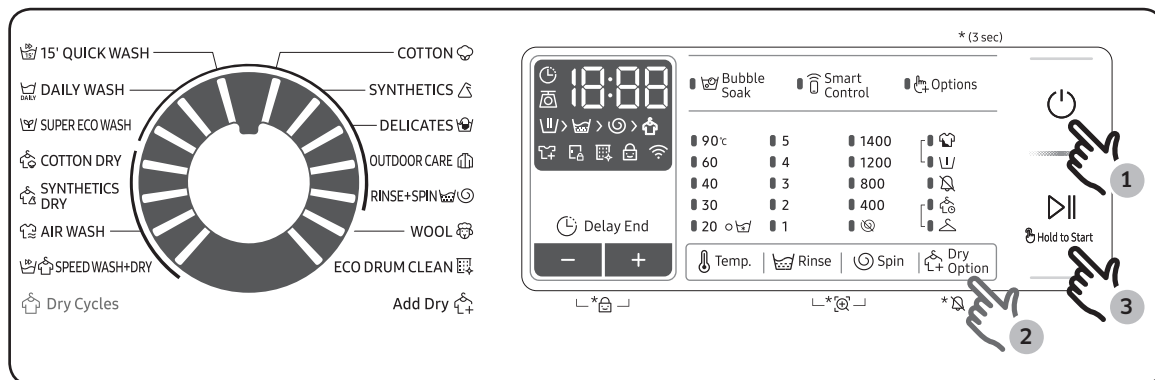
1. Press **Power** to turn on the washing machine.
2. Select a cycle in the cycle panel.
3. Change the cycle settings (**Temp.**, **Rinse**, and **Spin**) as necessary.
4. Press **Options** or **Dry Option** to add desired options. Available options differ depending on the selected cycle.
5. The machine supports the options of **Bubble Soak** and **Smart Control** for easy access. To use an option item, press the corresponding button.
6. Press and hold **Start/Pause (Hold to Start)**.

To change the cycle during operation

1. Press **Start/Pause (Hold to Start)** to stop operation.
1. Select a different cycle.
2. Press **Start/Pause (Hold to Start)** again to start the new cycle.

Drying only

Follow these steps to dry damp laundry or laundry that has just finished washing.



1. Press **Power** to turn on the washing machine.
2. Press **Dry Option** repeatedly until a desired dry level is set.
3. Press and hold **Start/Pause (Hold to Start)**.







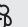

To change the course during operation




1. Press **Start/Pause (Hold to Start)** to stop operation.
2. Select a different cycle.
3. Press **Start/Pause (Hold to Start)** again to start the new cycle.

Operations


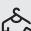

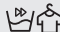

Cycle overview

Standard cycles

Cycle	Description & Max load (kg)	
COTTON 	<ul style="list-style-type: none"> For cottons, bed linens, table linens, underwear, towels, or shirts. The washing time and the rinse count are automatically adjusted according to the load. 	Max
SYNTHETICS 	<ul style="list-style-type: none"> For blouses or shirts that are made of polyester (diolen, trevira), polyamide (perlon, nylon), or the like. 	4.0
DELICATES 	<ul style="list-style-type: none"> For sensitive fabrics as rayon, viscose and synthetics blended fiber. For best performance, use liquid detergent. 	2.0
OUTDOOR CARE 	<ul style="list-style-type: none"> For outdoor clothes, skiwear, and sportswear that are made of functional materials such as spandex, stretch, and micro-fibre 	2.0
RINSE+SPIN 	<ul style="list-style-type: none"> Featuring an additional rinse process after applying fabric softener to the laundry. 	Max
WOOL 	<ul style="list-style-type: none"> Specific for machine-washable wool for loads less than 2.0 kg. The  wool cycle features fine pulsating and soaking to protect the wool fibres from shrinkage/distortion. A neutral detergent is recommended. 	2.0
ECO DRUM CLEAN 	<ul style="list-style-type: none"> Cleans the drum by removing dirt and bacteria from it. Cleans the rubber door gasket by removing dirt from the gasket. Perform once every 40 washes with no detergent or bleach applied. It notifies automatically after every 40 washes. Make sure the drum is empty. Do not use any cleaning agents for cleaning the drum. 	-



Cycle	Description & Max load (kg)	
15' QUICK WASH 	<p>For lightly soiled items in less than 2.0 kg that you want to wash quickly.</p> <ul style="list-style-type: none"> Use less than 20 g of detergent. Using more than 20 g of detergent may leave detergent residue. For liquid detergent, use a max of 20 ml of liquid detergent. 	2.0
DAILY WASH 	<ul style="list-style-type: none"> For everyday items such as underwear and shirts. 	4.0
SUPER ECO WASH 	<ul style="list-style-type: none"> Low temperature ecobubble cycle helps reduce power consumption. 	4.0

Dry cycles



Cycle	Description & Max load (kg)	
COTTON DRY 	<ul style="list-style-type: none"> For general drying. 	5.0
SYNTHETICS DRY 	<ul style="list-style-type: none"> A low temperature drying cycle for heat-sensitive garments. 	3.0
AIR WASH 	<ul style="list-style-type: none"> This cycle is useful for removing bad odours. Turning the Cycle Selector cycles through the following operating modes. 	1.0
SPEED WASH+DRY 	<ul style="list-style-type: none"> Additional drying may be needed depending on the item's volume and thickness. <p> NOTE Maximum load (4.5 kg) was tested in compliance with IEC standard (4 Cotton pillows, 3 Cotton towels, 5 easy care pillows, 10 easy care shirts).</p>	4.5

Operations

Options

Option		Description
	Intensive	<ul style="list-style-type: none">For badly soiled laundry. The operation time for each cycle is longer than normal.
	Pre Wash	<ul style="list-style-type: none">This will add a preliminary washing cycle before the main wash cycle.

Dry Option

Option		Description
	Cupboard dry	<ul style="list-style-type: none">Select to dry laundry automatically by detecting the amount and weight of the laundry. Select this to dry cotton clothing such as cotton trousers, T-shirts, and cotton underwear.
	Time Dry	<ul style="list-style-type: none">Use to dry the laundry for a specified period of time according to the material, load, and moisture.

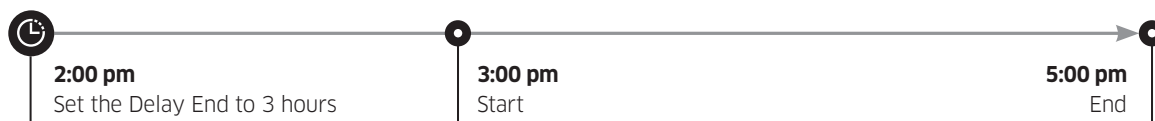
Delay End

You can set the washing machine to finish your wash automatically at a later time, choosing a delay of between 1 to 24 hours (in 1 hour increments). The hour displayed indicates the time the wash will finish.

1. Select a cycle with necessary settings.
2. Press **Delay End** (or the +/- button) repeatedly until a desired end time is set.
3. Press and hold **Start/Pause (Hold to Start)**. The Delay End indicator blinks and the washing machine tumbles the drum to sense the weight of the load if load sensing is preset for the selected cycle. When complete, it displays your set time with the timer running.
4. To cancel the Delay End, restart the washing machine by pressing **Power**.

Real-life case

You want to finish a two-hour cycle 3 hours later from now. For this, you add the Delay End option to the current cycle with the 3-hour setting, and Press and hold **Start/Pause (Hold to Start)** at 2:00 p.m. Then, what happens? The washing machine starts operating at 3:00 p.m., and ends at 5:00 p.m. Provided below is the time line for this example.




Load sensor

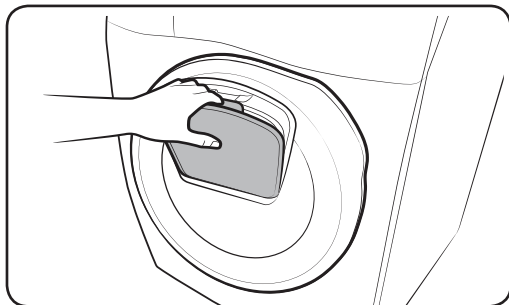
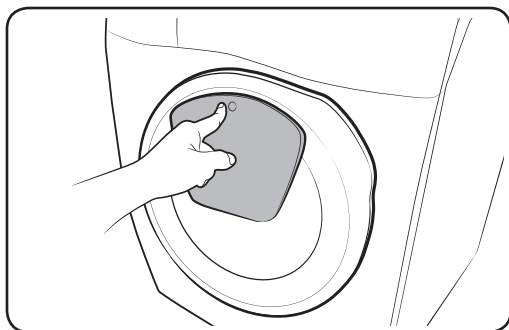
The load sensor icon lights up when you select a cycle that supports load sensing. Some cycles may not support loading sensing. Once you start the cycle, the icon blinks or stays solid during the load sensing process, and turns off when the process is complete.

Operations

Special features

AddWash

When the AddWash indicator  is on, you can stop operation of the machine and put additional laundry or softener into the drum. The Add Door opens by more than 130° for easy access.



1. Press **Start/Pause (Hold to Start)** to stop operation.
2. Press the upper area of the Add Door until you hear a clicking sound to unlock. Pull the handle of the Add Door to open.
3. Open the Add Door and put additional laundry or softener into the drum.
4. Push the Add Door until you hear a clicking sound to close.
5. Press and hold **Start/Pause (Hold to Start)** to resume operation.

CAUTION

Do not put excessive force on the Add Door. It may break.

NOTE

The water inside the drum does not leak if the Add Door is closed properly. Water drops may form around the window, but they do not leak from inside the drum.

 **CAUTION**

- Do not open the Add Door if suds have formed inside the drum that rise above the level of the Add Door.
- Do not attempt to open the Add Door while the machine is operating without first pressing **Start/Pause (Hold to Start)**. Please note that the Add Door can be opened unintentionally (without pressing **Start/Pause (Hold to Start)**) when the wash is complete.
- Do not add an excessive load through the Add Door. Performance may be degraded.
- Do not use the lower area of the Add Door as a handle. Your fingers may be caught.
- Make sure that no laundry is caught in the Add Door.
- Keep your pets out of the washing machine, especially the Add Door.
- When using hot water for the wash, the Add Door may appear to leak water after opening and closing the Add Door. This is normal, simply because steam emerging from the open Add Door has cooled and formed water drops on the surface.
- When the Add Door closes, the door seals up and no water can leak. However, you may encounter what appears to be water leak around the door - some residual water remaining around the Add Door may form water drops. This is normal.
- Neither the main door or the Add Door can be opened when the water temperature is over 50 °C. If the water level inside the drum is over a certain point, the main door cannot be opened.
- If an information code of “DDC” appears on the display, see the **Information codes** section for further actions.
- Keep the Add door and its surroundings clean at all times. Debris or detergent on or around the seals of the Add door may cause a leak.

Operations

Settings

Child Lock

To prevent children or infants from accidentally starting or setting the washing machine, Child Lock locks all buttons except for the **Power** button.

To activate Child Lock

- Press and hold - and + (of the **Delay End** option) simultaneously for 3 seconds. Then, press and hold **Start/Pause (Hold to Start)** to activate. The door locks and the Child Lock indicator turns on.

To deactivate Child Lock temporarily

You can deactivate Child Lock temporarily for 1 minute. The door is unlocked for 1 minute and the Child Lock indicator blinks.

- Press and hold - and + (of the **Delay End** option) simultaneously for 3 seconds.

NOTE

- If you open the door 1 minute or more after deactivating Child Lock, an alarm sounds for up to 2 minutes.
- If you close the door within 2 minutes, the door locks and Child Lock is reactivated. If you do not close the door or the door is not properly closed, the alarm keeps sounding for 2 minutes.
- To add laundry after activating Child Lock, first deactivate Child Lock or restart the washing machine.

To cancel the Child Lock

- Press and hold - and + (of the **Delay End** option) simultaneously for 3 seconds to deactivate, and then press and hold the buttons again for 3 seconds to cancel Child Lock. The door unlocks and the Child Lock indicator turns off.

Sound On/Off

You can turn on or off the sound from the washing machine. When this function is set to Off, the AddWash alarm, the melody of cycle completion, and the power-off beep will not sound. However, the other sounds stay active.

- To mute the sound, press and hold **Dry Option** for 3 seconds.
- To unmute the sound, press and hold again for 3 seconds.
- Your setting will be kept even after restarting the machine.

SmartThings

Wi-Fi connection

On your smartphone, go to the Settings and turn on the wireless connection and select an AP (Access Point).

NOTE

- This device is designed for household use only (Class B), and can be used in all residential areas.
- This device may cause wireless interference, and neither the manufacturer or the installer of this device can provide a safety measure of any kind.
- Recommended encryption methods are WPA/TKIP and WPA2/AES. Newly developed Wi-Fi protocols or unapproved Wi-Fi protocols are not supported.
- The reception sensitivity of a wireless network may be affected by surrounding wireless environments.
- If your Internet provider has registered the MAC address of your PC or the modem module for permanent use, your Samsung washing machine fails to connect to the Internet. If this is the case, contact your Internet provider.
- The Internet firewall may interrupt your Internet connection. If this happens, contact your Internet provider.
- If Internet failure continues after following the measurement of your Internet provider, contact a local Samsung retailer or service centre.
- For installing wired and wireless routers, refer to the user manual of the router you use.
- Samsung washing machine supports the Wi-Fi 2.4 GHz protocols.
- Samsung washing machine supports the IEEE802.11 b/g/n (2.4 GHz), Soft-AP protocols. (IEEE802.11n is recommended)
- An unapproved wired/wireless router may fail to connect to Samsung washing machine.

Download

On an app market (Google Play Store, Apple App Store, Samsung Galaxy Apps), find the SmartThings app with a search term of "SmartThings". Download and install the app on your device.

NOTE

- The SmartThings app is available on third-party devices with Android OS 6.0 (Marshmallow) or higher, Samsung devices with Android OS 5.0 (Lollipop) or higher, and iOS devices with iOS 10.0 or higher. For iPhones, it must be iPhone 6 or higher. The app is optimised for Samsung smartphones (Galaxy S and Note series).
- Some functions of the app may operate differently on third-party devices.
- The app is subject to change without notice for improved performance.

Operations

Log in

You must first log into SmartThings with your Samsung account. To create a new Samsung account, follow the instructions on the app. You don't need a separate app to create your account.

NOTE

If you have a Samsung account, use the account to log in. A registered Samsung smartphone user automatically logs in.

To register your device to SmartThings

1. Make sure your smartphone is connected to a wireless network. If not, go to the **Settings** and turn on the wireless connection and select an AP (Access Point).
2. Select to run **SmartThings** on your smartphone.
3. When a message of "A new device is found.", select **Add**.
4. If no message appears, select + and select your washing machine in a list of devices available. If your washing machine is not listed, select **Device Type > Specific Device Model**, and then add your washing machine manually.
5. Register your washing machine to the SmartThings app as follows.
 - a. Log into SmartThings with your Samsung account.
 - b. Turn a Wi-Fi connection on.
 - c. Add your washing machine to SmartThings. Make sure your washing machine is connected to SmartThings.
 - d. When registration is complete, your washing machine appears on your smartphone.

Washing Machine app

Integrated control: You can monitor and control your washing machine both at home and on the go.

- Select the Washing Machine icon on SmartThings. The Washing Machine page appears.
- Check the operation status or notifications related to your washing machine, and change options or settings if necessary.

SmartThings

Category	Checkpoint	Description
Monitoring	Washing status	You can check the current cycle and its options, and the remaining cycle time.
	Smart Control	The Smart Control status is shown for the washing machine.
	Self Check	Use this to check if the washing machine operates normally.
	Energy monitoring	Use this to monitor the energy consumption status.
Control	Start/Pause/Cancel	Select a cycle and necessary options, and then select Start/Pause/ Cancel to start an operation, to stop temporarily, or to cancel the current operation.
	My Favorite	Add frequently used cycles and options to My Favorite for later use.
Notification	Cycle completed	Notifies you the current cycle is complete.
	AddWash alarm (applicable models only)	Notifies you of the addition of a new load.
	Remaining laundry (applicable models only)	Notifies you of any laundry left after a cycle is complete.

Operations

Category	Checkpoint	Description
Q-Rator	Laundry Recipe *	You can select the fabric type, color, and the soil level to get recommended options and wash cycles that you can start right away.
	Laundry Planner *	You can set the desired time for a wash cycle to finish. After you set the desired time, you will get a recommended cycle that will end within the time you set, and you can start or reserve the recommended cycle.
	HomeCare Wizard *	Provides a regular report with an analysis of the machine operation state in a user-set frequency (every week/month). You can use this regular report to check your usage pattern, maintenance requirements, and energy consumption ** for the set period of time.
	* Requires 'SmartThings', available on Android and iOS. Registration required. ** Indicative results only.	

Open Source Announcement

The software included in this product contains open source software. You may obtain the complete corresponding source code for a period of three years after the last shipment of this product by sending an email to <mailto:oss.request@samsung.com>.

It is also possible to obtain the complete corresponding source code in a physical medium such as a CD-ROM; a minimal charge will be required.

The following URL http://opensource.samsung.com/opensource/SMART_AT_051/seq/0 leads to the download page of the source code made available and open source license information as related to this product. This offer is valid to anyone in receipt of this information.



NOTE

Hereby, Samsung Electronics, declares that the radio equipment type appliance is in compliance with Directive 2014/53/EU. The full text of the EU declaration of conformity is available at the following internet address: The official Declaration of conformity may be found at <http://www.samsung.com>, go to Support > Search Product Support and enter the model name.

Wi-Fi max transmitter power : 20 dBm at 2.412GHz - 2.472GHz

Maintenance

Keep the washing machine clean to prevent deteriorated performance and to preserve its life cycle.

Eco drum clean

Perform this cycle regularly to clean the drum by removing bacteria from it. This cycle heats the water between 60 °C and 70 °C, and it also removes accumulated dirt from the rubber door gasket.

1. Press **Power** to turn on the washing machine.
2. Turn the **Cycle Selector** to select **ECO DRUM CLEAN**.
3. Press and hold **Start/Pause (Hold to Start)**.

CAUTION

Do not use any cleaning agents for cleaning the drum. Chemical residue in the drum may cause damage to the laundry or the drum of the washing machine.

ECO DRUM CLEAN reminder

- The **ECO DRUM CLEAN** reminder appears on the main screen once every 40 washes. It is advisable to perform the **ECO DRUM CLEAN** regularly.
- When you first see this reminder, you can ignore the reminder for 6 consecutiv washes. From the 7th wash, the reminder no longer appears. However, it appears again on the second 40th wash.

Smart Check

To enable this function, you must first download the Samsung Smart Washer app at the Play Store or the App Store, and install it on a mobile device featuring a camera function.

The Smart Check function has been optimised for Galaxy & iPhone series (applicable models only).

1. When the washing machine detects an issue to check, an information code appears on the display. To enter Smart Check mode, press and hold **Rinse** and **Spin** simultaneously for 3 seconds.
2. The washing machine starts the self-diagnosis procedure and displays an information code if a problem is detected.
3. Run the Samsung Smart Washer app on your mobile device, and tap Smart Check.
4. Put the mobile device close to the washing machine's display so that the smartphone camera and the washing machine face each other. Then, the information code will be recognised automatically by the app.
5. When the information code is recognised correctly, the app provides detailed information about the problem with applicable solutions.

NOTE


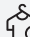
- The function name, Smart Check, may differ depending on the language.
- If the washing machine reflects light on the display, the app may fail to recognise the information code.
- If the app fails to recognise the Smart Check code consecutively, enter the information code manually onto the app screen.

Maintenance

Using Dry course

All drying options except for the Time Dry option detect the weight of the laundry in order to display a more accurate drying time and dry the laundry more effectively.

Refer to the chart below to select the appropriate drying option according to the type and amount of laundry and the moisture you want to leave.

Mode	Drying option	Usage	Load capacity(kg)	
			Cotton Dry	Synthetics Dry
Auto Drying	 Cupboard	Use this option to dry laundry such as cotton, underwear, and linen.	5 kg	3 kg
Manual Drying	 Time Dry	Use this option to dry the laundry for the specified period of time depending on the fibres, amount of laundry quantity and moisture.	30 ~ 270 min. (in 30 minutes increments).	30 ~ 270 min. (in 30 minutes increments).

NOTE

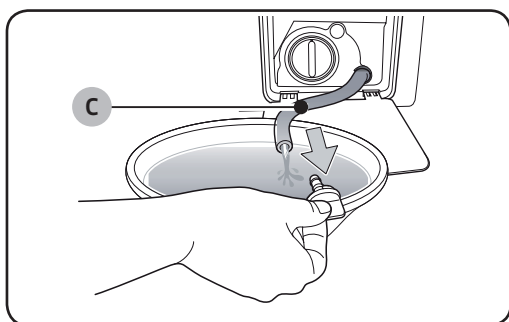
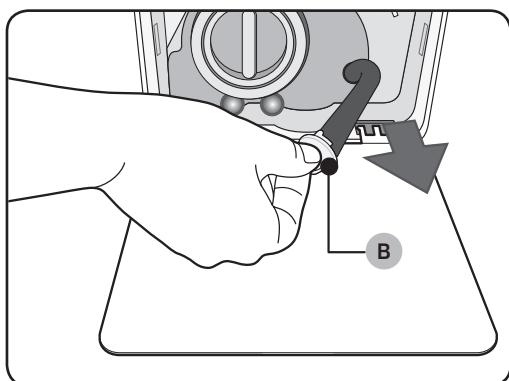
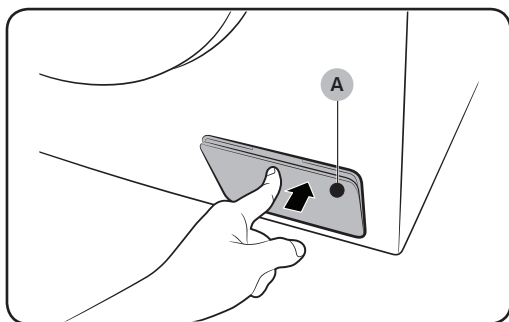
- The drying result may differ depending on the selected washing cycle and the type/amount of laundry.
- If both washing and drying cycles are selected, the spin speed is automatically set to enhance the drying efficiency.
- In case you want to dry laundry after a hand wash, turn the cycle selector to select the spin cycle, and then select a drying option for best performance.
- When drying is complete, dust from the dry surface of the clothes may remain on the diaphragm due to the ironing effect that prevents wrinkles. The dust will be washed away during the following wash. Alternatively, you can easily remove it with a damp towel or cloth.

CAUTION

- Do not use the drying function after applying a chlorine bleach agent to the laundry during a wash or drying cycle. Otherwise, the laundry may become discolored or the material may be damaged.
- Do not use the drying function for clothing with fur lining or made from acrylic material. This may result in the drying function being degraded.
- Do not touch the insides of the drum or the washing machine surface during or just after drying as it may be hot. This may result in burns.

Emergency drain

In case of a power failure, drain the water inside the drum before taking out the laundry.



1. Power off and unplug the washing machine from the electrical outlet.
2. Gently press the top area of the **filter cover (A)** to open.
3. Put an empty, spacious container around the cover, and stretch the emergency drain tube to the container while holding the **tube cap (B)**.
4. Open the tube cap and let water in the **emergency drain tube (C)** flow into the container.
5. When done, close the tube cap, and reinsert the tube. Then, close the filter cover.

NOTE

Use a spacious container because the water in the drum may be more than expected.

Maintenance

Cleaning

Surface of the washing machine

Use a soft cloth with a nonabrasive household detergent. Do not spray water onto the washing machine.

Add Door



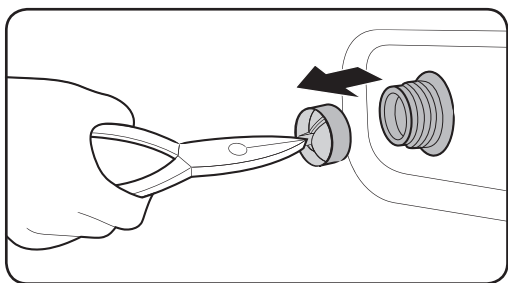
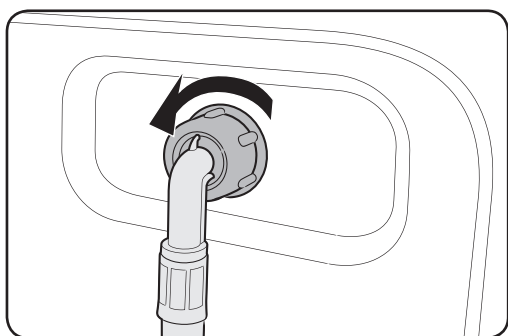
1. Open the Add Door.
2. Use a wet cloth to clean the Add Door.
 - Do not use cleaning agents. Discolouration may occur.
 - Use caution when cleaning the rubber packing and the **locking mechanism (A)**.
 - Dust off the window area regularly.
3. Wipe up and close the Add Door until you hear a clicking sound.

CAUTION

- Do not apply force on the Add Door. It may break.
- Do not leave the Add Door open while the machine is operating.
- Do not put heavy objects on the Add Door at any time.
- To prevent physical injury, do not touch the Add Door while the drum is rotating.
- Do not open the Add Door while the machine is operating. This may cause physical injury.
- Do not manipulate the feature panel while the Add Door is open. This may cause physical injury or system failure.
- Do not input objects other than laundry.
- Do not input bulky items to the drum through the Add Door.
- Do not pull out the rubber packing of the Add Door when cleaning. This may cause damage.

Mesh filter

Clean the mesh filter of the water hose once or twice a year.



1. Turn off the washing machine, and unplug the power cord.
2. Close the water tap.
3. Loosen and disconnect the water hose from the back of the washing machine. Cover the hose with a cloth to prevent water from gushing out.
4. Use pliers to pull out the mesh filter from the inlet valve.
5. Submerge the mesh filter deeply in water so that the threaded connector is also submerged.
6. Dry the mesh filter completely in the shade.
7. Reinsert the mesh filter into the inlet valve, and reconnect the water hose to the inlet valve.
8. Open the water tap.

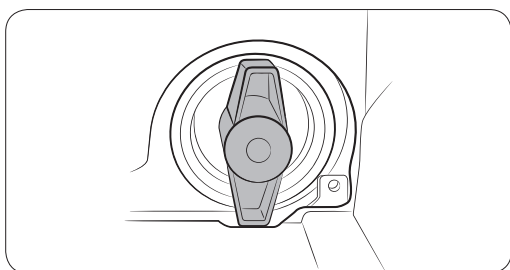
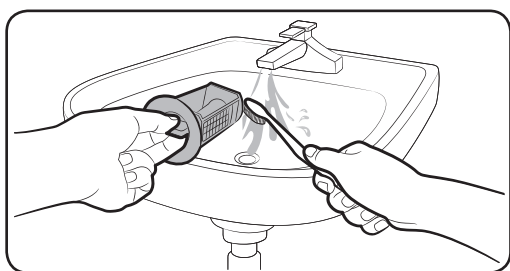
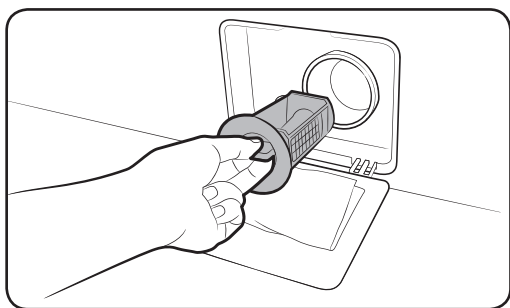
NOTE

If the mesh filter is clogged, an information code of “4C” appears on the screen.

Maintenance

Pump filter

It is advisable to clean the pump filter 5 or 6 times a year to prevent its clogging. A clogged pump filter may reduce the bubble effect.



1. Turn off the washing machine, and unplug the power cord.
2. Drain the remaining water inside the drum drum. See the “Emergency drain” section.
3. Gently press the top area of the filter cover to open.
4. Turn the pump filter knob to the left, and drain off the remaining water.
5. Clean the pump filter using soft brushes. Make sure the drain pump propeller inside the filter is unclogged.
6. Reinsert the pump filter, and turn the filter knob to the right.

NOTE

- Some pump filters feature a safety knob that is designed to prevent accidents by children. To open the safety knob of the pump filter, push in and turn it anticlockwise. The spring mechanism of the safety knob helps open the filter.
- To close the safety knob of the pump filter, turn it clockwise. The spring makes a rattling sound, which is normal.

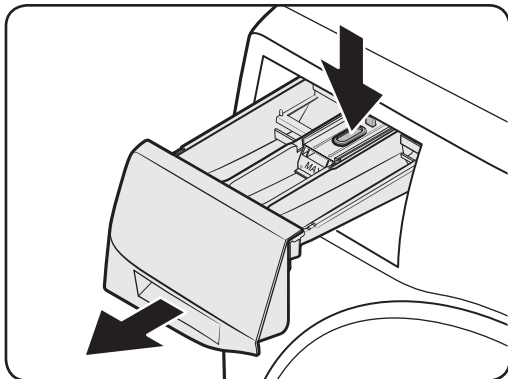
NOTE

If the pump filter is clogged, an information code of “5C” appears on the screen.

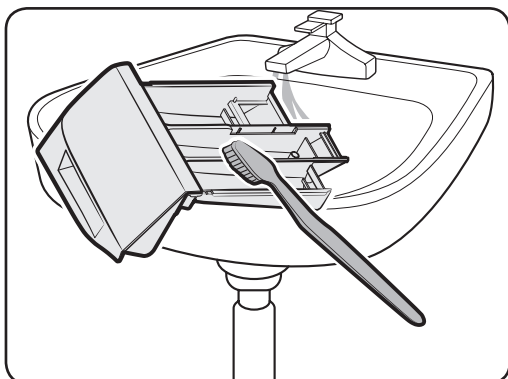
CAUTION

- Make sure the filter knob is closed properly after cleaning the filter. Otherwise, this may cause a leak.
- Make sure the filter is inserted properly after cleaning it. Otherwise, this may cause an operational failure or a leak.

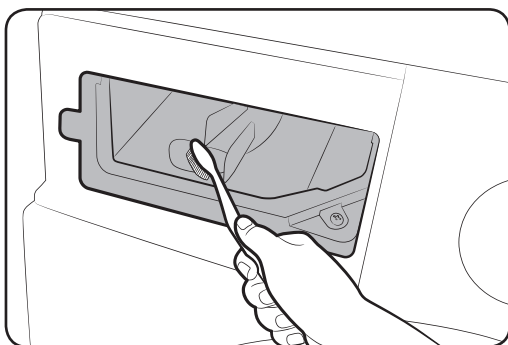
Detergent Drawer



1. While holding down the **release lever** inside the drawer, slide open the drawer.



2. Clean the drawer components in flowing water using a soft brush.



3. Clean the drawer recess using a soft brush.
4. Reinsert the release lever and the Liquid detergent guide to the drawer.
5. Slide the drawer inward to close it.

NOTE

To remove remaining detergent, perform the **RINSE+SPIN** cycle with the drum being empty.

Maintenance

Recovery from freezing

The washing machine may freeze when it drops below 0 °C.

1. Turn off the washing machine, and unplug the power cord.
2. Pour warm water over the water tap to loosen the water hose.
3. Disconnect the water hose, and soak it in warm water.
4. Pour warm water into the drum and leave it for about 10 minutes.
5. Reconnect the water hose to the water tap.

NOTE

If the washing machine still doesn't operate normally, repeat the above steps until it operates normally.

Care against an extended time of disuse


Avoid leaving the washing machine unused for an extended time. If this is the case, drain the washing machine and unplug the power cord.

1. Turn the **Cycle Selector** to select a **RINSE+SPIN**.
2. Empty the drum, and press and hold **Start/Pause (Hold to Start)**.
3. When the cycle is complete, close the water tap and disconnect the water hose.
4. Turn off the washing machine, and unplug the power cord.
5. Open the door to let air circulate through the drum.

Troubleshooting

Checkpoints

If you encounter a problem with the washing machine, first check the table below and try the suggestions.

Problem	Action
Does not start.	<ul style="list-style-type: none"> • Make sure the washing machine is plugged in. • Make sure the door is properly closed. • Make sure the water taps are open. • Make sure to press or tap Start/Pause (Hold to Start) to start the washing machine. • Make sure Child Lock  is not activated. • Before the washing machine starts to fill, it will make a series of clicking noises to check the door lock and does a quick drain. • Check the fuse or reset the circuit breaker.
Water supply is insufficient, or no water is supplied.	<ul style="list-style-type: none"> • Fully open the water tap. • Make sure the door is properly closed. • Make sure the water supply hose is not frozen. • Make sure the water supply hose is not kinked or clogged. • Make sure there is sufficient water pressure.
After a cycle, detergent remains in the detergent drawer.	<ul style="list-style-type: none"> • Make sure the washing machine is running with sufficient water pressure. • Make sure the detergent is added to the centre of the detergent drawer. • Make sure the rinse cap is inserted properly. • If using granular detergent, make sure the detergent selector is in the upper position. • Remove the rinse cap and clean the detergent drawer.
Excessive vibrations or makes noise.	<ul style="list-style-type: none"> • Make sure the washing machine is installed on a level, solid floor that is not slippery. If the floor is not level, use the levelling feet to adjust the height of the washing machine. • Make sure the shipping bolts are removed. • Make sure the washing machine is not contacting any other object. • Make sure the laundry load is balanced. • The motor can cause noise during normal operation. • Overalls or metal-decorated clothes can cause noise while being washed. This is normal. • Metal objects such as coins can cause noise. After washing, remove these objects from the drum or filter case.

Troubleshooting


Problem	Action
Does not drain and/or spin.	<ul style="list-style-type: none"> • Make sure the drain hose is straightened all the way to the drain system. If you encounter a drain restriction, call for service. • Make sure the debris filter is not clogged. • Close the door and press or tap Start/Pause (Hold to Start). For your safety, the washing machine will not tumble or spin unless the door is closed. • Make sure the drain hose is not frozen or clogged. • Make sure the drain hose is connected to a drain system that is not clogged. • If the washing machine is not supplied with sufficient power, the washing machine temporarily will not drain or spin. As soon as the washing machine regains sufficient power, it will operate normally.
The door does not open.	<ul style="list-style-type: none"> • Press or tap Start/Pause (Hold to Start) to stop the washing machine. • It may take a few moments for the door lock mechanism to disengage. • The door will not open until 3 minutes after the washing machine has stopped or the power turned off. • Make sure all the water in the drum is drained. • The door may not open if water remains in the drum. Drain the drum and open the door manually. • Make sure the door lock light is off. The door lock light turns off after the washing machine has drained.
Excessive suds.	<ul style="list-style-type: none"> • Make sure you use the recommended types of detergent as appropriate. • Use high efficiency (HE) detergent to prevent oversudsing. • Reduce the detergent amount for soft water, small loads, or lightly soiled loads. • Non-HE detergent is not recommended.
Cannot apply additional detergent.	<ul style="list-style-type: none"> • Make sure the remaining amount of detergent and fabric softener is not over the limit.


Problem	Action
Stops.	<ul style="list-style-type: none"> • Plug the power cord into a live electrical outlet. • Check the fuse or reset the circuit breaker. • Close the door and press the Start/Pause (Hold to Start) button to start the washing machine. For your safety, the washing machine will not tumble or spin unless the door is closed. • Before the washing machine starts to fill, it will make a series of clicking noises to check the door lock and does a quick drain. • There may be a pause or soak period in the cycle. Wait briefly and the washing machine may start. • Make sure the mesh filter of the water supply hose at the water taps are not clogged. Periodically clean the mesh filter. • If the washing machine is not supplied with sufficient power, the washing machine temporarily will not drain or spin. As soon as the washing machine regains sufficient power, it will operate normally.
Fills with the wrong water temperature.	<ul style="list-style-type: none"> • Fully open both taps. • Make sure the temperature selection is correct. • Make sure the hoses are connected to the correct taps. Flush water lines. • Make sure the water heater is set to supply a minimum 120 °F (49 °C) hot water at the tap. Also, check the water heater capacity and recovery rate. • Disconnect the hoses and clean the mesh filter. The mesh filter may be clogged. • While the washing machine fills, the water temperature may change as the automatic temperature control feature checks incoming water temperature. This is normal. • While the washing machine fills, you may notice just hot and/or just cold water going through the dispenser when cold or warm temperatures are selected. This is a normal function of the automatic temperature control feature as the washing machine determines the water temperature.
Load is wet at the end of a cycle.	<ul style="list-style-type: none"> • Use the High or Extra High spin speed. • Use high efficiency (HE) detergent to reduce oversudsing. • Load is too small. Small loads (one or two items) may become unbalanced and not spin completely. • Make sure the drain hose is not kinked or clogged.

Troubleshooting


Information codes

If the washing machine fails to operate, you may see an information code on the screen. Check the table below and try the suggestions.

Code	Action
4C	<p>Water is not supplied.</p> <ul style="list-style-type: none"> • Make sure the water taps are open. • Make sure the water hoses are not clogged. • Make sure the water taps are not frozen. • Make sure the washing machine is operating with sufficient water pressure. • Make sure that the cold water tap and the hot water tap are properly connected. • Clean the mesh filter as it may be clogged. <p> NOTE When the washer displays the “4C” code, the washer do draining for 3 minutes. During this time, the Power button is inoperative.</p>
4C2	<ul style="list-style-type: none"> • Make sure the cold water supply hose is firmly connected to the cold water tap. If it is connected to the hot water tap, the laundry may be deformed with some cycles.
5C	<p>Water is not draining.</p> <ul style="list-style-type: none"> • Make sure the drain hose is not frozen or clogged. • Make sure the drain hose is positioned correctly, depending on the connection type. • Clean the debris filter as it may be clogged. • Make sure the drain hose is straightened all the way to the drain system. • If the information code remains, contact a customer service centre.
DC	<p>Operating the washer with the door open.</p> <ul style="list-style-type: none"> • Make sure the door is properly closed. • Make sure laundry is not caught in the door.
DC1	<p>The Main Door lock/unlock is not working properly.</p> <ul style="list-style-type: none"> • Turn the machine off, and restart the cycle. • If the information code remains, contact a customer service centre.

Code	Action
DC3	<p>The Add Door lock/unlock is not working properly.</p> <ul style="list-style-type: none"> • Turn the machine off, and restart the cycle. • If the information code remains, contact a customer service centre.
OC	<p>Water is overflowed.</p> <ul style="list-style-type: none"> • Restart after spinning. • If the information code remains on the display, contact a local Samsung service centre.
LC, LC1	<p>Check the drain hose.</p> <ul style="list-style-type: none"> • Make sure the end of the drain hose is placed on the floor. • Make sure the drain hose is not clogged. • If the information code remains, contact a customer service centre. <p> NOTE When the washer displays the “LC,LC1” code, the washer do draining for 3 minutes. During this time, the Power button is inoperative.</p>
FC	<p>Check the fan motor.</p> <ul style="list-style-type: none"> • Power off and power the machine on after 2-3 minutes, and then try again.
UB	<p>Spinning does not work.</p> <ul style="list-style-type: none"> • Make sure laundry is spread out evenly. • Make sure the washing machine is on a flat, stable surface. • Redistribute the load. If only one item of clothing needs washing, such as a bathrobe or pair of jeans, the final spin result might be unsatisfactory, and an “UB” check message will be shown in the display.
3C	<p>Check the motor for operation.</p> <ul style="list-style-type: none"> • Try restarting the cycle. • If the information code remains, contact a customer service centre.
3CP	<p>Check the pulsator motor for operation.</p> <ul style="list-style-type: none"> • Try restarting the cycle. • If the information code remains, contact a customer service centre.

Troubleshooting

Code	Action
UC	<p>The electronic control needs to be checked (Over Voltage Error).</p> <ul style="list-style-type: none"> • Check the PCB and wire harness. • Check if power is supplied properly. • If the information code remains, contact a customer service centre.
	<p>Low voltage detected</p> <ul style="list-style-type: none"> • Check if the power cord is plugged in. • If the information code remains, contact a customer service centre.
HC	<p>High temperature heating check</p> <ul style="list-style-type: none"> • If the information code remains, contact a customer service centre.
1C	<p>The Water Level sensor is not working properly.</p> <ul style="list-style-type: none"> • Try power off and restarting the cycle. • Check WaterLevel Sensor wire harness. • If the information code remains, contact a customer service centre. <p> NOTE When the washer displays the “1C” code, the washer do draining for 3 minutes. During this time, the Power button is inoperative.</p>
8C	<p>The MEMS sensor is not working properly.</p> <ul style="list-style-type: none"> • Turn the machine off, and restart the cycle. • If the information code remains, contact a customer service centre.
AC	<p>Check communications between main and sub PBAs.</p> <ul style="list-style-type: none"> • Try power off and restarting the cycle. • If the information code remains, contact a customer service centre.
AC6	<p>Check communications between main and inverter PBAs.</p> <ul style="list-style-type: none"> • Depending on the state, the machine may automatically returns to normal operation. • Turn the machine off, and restart the cycle. • If the information code remains, contact a customer service centre.


























Code	Action
DDC, ddC	<p>This message appears when you open the Add Door without pressing Start/Pause (Hold to Start). If this happens, do one of the following:</p> <ul style="list-style-type: none"> • Press the Add Door to close properly. Then, press and hold Start/Pause (Hold to Start) and try again. • To add laundry, open the Add Door and input laundry. Close the Add Door properly. Then, press and hold Start/Pause (Hold to Start) to resume operation.

If any information code keeps appearing on the screen, contact a local Samsung service centre.

Specifications

Fabric care chart

The following symbols provide garment care directions. The care labels include four symbols in this order: washing, bleaching, drying and ironing (and dry cleaning when necessary). The use of symbols ensures consistency among garment manufacturers of domestic and imported items. Follow the care label directions to maximize garment life and reduce laundry problems.

	Resistant material		Do not iron
	Delicate fabric		Can be dry cleaned using any solvent
	Item can be washed at 95 °C		Dry Clean
	Item can be washed at 60 °C		Dry clean with perchloride, lighter fuel, pure alcohol or R113 only
	Item can be washed at 40 °C		Dry clean with aviation fuel, pure alcohol or R113 only
	Item can be washed at 30 °C		Do not dry clean
	Hand wash only		Dry flat
	Dry clean only		Can be hung to dry
	Can be bleached in cold water		Dry on clothes hanger
	Do not bleach		Tumble dry, normal heat
	Can be ironed at 200 °C max		Tumble dry, reduced heat
	Can be ironed at 150 °C max		Do not tumble dry
	Can be ironed at 100 °C max		

Protecting the environment

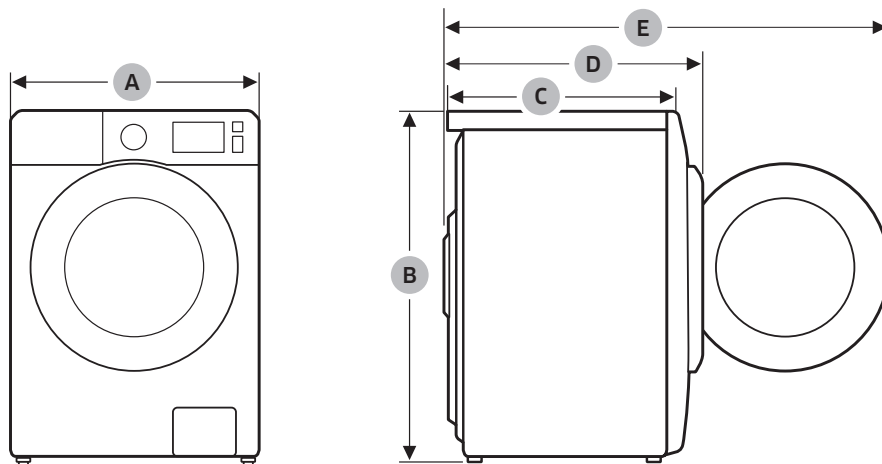
- This appliance is manufactured from recyclable materials. If you decide to dispose of this appliance, please observe local waste disposal regulations. Cut off the power cord so that the appliance cannot be connected to a power source. Remove the door so that animals and small children cannot get trapped inside the appliance.
- Do not exceed the detergent quantities recommended in the detergent manufacturer's instructions.
- Use stain removal products and bleaches before the wash cycle only when strictly necessary.
- Save water and electricity by only washing full loads (the exact amount depends upon the program used).

Specifications

Specification sheet

“ * “ Asterisk(s) means variant model and can be varied (0-9) or (A-Z).

Type		Front loading washing machine	
Model name		WD90N64****	WD80N64****
Dimensions		W600 x D600 x H850 (mm)	
Water pressure		50-800 kPa	
Net weight		81.0 kg	81.0 kg
Wash and spin capacity		9.0 kg	8.0 kg
Dry capacity		5.0 kg	5.0 kg
Power consumption	Washing and heating	220 V	2000 W
		240 V	2400 W
	Drying	220 V	1600 W
		240 V	1900 W
Spin revolutions		1400 rpm	



A	600 mm
B	850 mm
C	600 mm
D	680 mm
E	1115 mm

NOTE

The design and specifications are subject to change without notice for quality improvement purposes.

Specifications

Sheet of household combined washer-dries

According to Regulation (EU) No. 96/60/EC

“ * ” Asterisk(s) means variant model and can be varied (0-9) or (A-Z).

Samsung		
Model Name	WD90N64****	
Energy Efficiency Class		
A (most efficient) to G (least efficient)	A	
Energy Consumption		
Washing, spinning, and drying	kWh	6.12
Washing and spinning only	kWh	1.17
Washing Performance Class		
A (most efficient) to G (least efficient)	A	
Water Extraction Efficiency Class		
A (most efficient) to G (least efficient)	A	
Residual moisture	%	44
Maximum Spin Speed	rpm	1400
Capacity		
Washing	kg	9.0
Drying	kg	5.0
Water Consumption		
Washing, spinning, and drying	ℓ	126
Washing and spinning only	ℓ	54
Program time for complete operating cycle (60 °C cotton washing and 'dry cotton' drying for rated washing capacity)		
Washing, spinning, and drying	min	689
Washing and spinning only	min	254
Programs to which the information on the label and the Sheet relate	Wash	Cotton 60 °C + Intensive
	Dry	Cotton Dry
Estimatd annual consumption for a 4-person household, always using the dries (200 cycles)		
Energy Consumption	kWh/yr	1224
Water Consumption	ℓ	25200
Estimatd annual consumption for a 4-person household, never using the drier (200 cycles)		
Energy Consumption	kWh/yr	234
Water Consumption	ℓ	10800
Noise using standard 60°C cotton washing cycle and 'dry cotton' drying cycle		

Washing	dB (A) re 1 pW	49
Spinning	dB (A) re 1 pW	73
Drying	dB (A) re 1 pW	62

The drying energy consumption data has been measured under the conditions specified in Standard EN50229.

- First drying should be performed with 5 kg load (the load consist: 2 sheets and 6 pillowcases and 18 towels) by selecting Cotton Dry + Spin ;
- Second drying should be performed with 4 kg load (the load consist: 2 sheets and 8 pillowcases and 5 towels) by selecting Cotton Dry + Spin ;
(1 or 2 towels can be added or removed for setting weight.)

Specifications

Sheet of household combined washer-dries

According to Regulation (EU) No. 96/60/EC

“ * ” Asterisk(s) means variant model and can be varied (0-9) or (A-Z).

Samsung		
Model Name	WD80N64****	
Energy Efficiency Class		
A (most efficient) to G (least efficient)	A	
Energy Consumption		
Washing, spinning, and drying	kWh	5.44
Washing and spinning only	kWh	1.04
Washing Performance Class		
A (most efficient) to G (least efficient)	A	
Water Extraction Efficiency Class		
A (most efficient) to G (least efficient)	A	
Residual moisture	%	44
Maximum Spin Speed	rpm	1400
Capacity		
Washing	kg	8.0
Drying	kg	5.0
Water Consumption		
Washing, spinning, and drying	ℓ	112
Washing and spinning only	ℓ	48
Program time for complete operating cycle (60 °C cotton washing and 'dry cotton' drying for rated washing capacity)		
Washing, spinning, and drying	min	664
Washing and spinning only	min	254
Programs to which the information on the label and the Sheet relate	Wash	Cotton 60 °C + Intensive
	Dry	Cotton Dry
Estimated annual consumption for a 4-person household, always using the dries (200 cycles)		
Energy Consumption	kWh/yr	1088
Water Consumption	ℓ	22400
Estimated annual consumption for a 4-person household, never using the drier (200 cycles)		
Energy Consumption	kWh/yr	208
Water Consumption	ℓ	9600
Noise using standard 60°C cotton washing cycle and 'dry cotton' drying cycle		

Washing	dB (A) re 1 pW	49
Spinning	dB (A) re 1 pW	73
Drying	dB (A) re 1 pW	62

The drying energy consumption data has been measured under the conditions specified in Standard EN50229.

- First drying should be performed with 5 kg load (the load consist: 2 sheets and 6 pillowcases and 18 towels) by selecting Cotton Dry + Spin ;
- Second drying should be performed with 3 kg load (the load consist: 1 sheets and 6 pillowcases and 7 towels) by selecting Cotton Dry + Spin ;
(1 or 2 towels can be added or removed for setting weight.)

Memo



QUESTIONS OR COMMENTS?

COUNTRY	CALL	OR VISIT US ONLINE AT
NORWAY	815 56480	www.samsung.com/no/support
DENMARK	70 70 19 70	www.samsung.com/dk/support
FINLAND	030-6227 515	www.samsung.com/fi/support
SWEDEN	0771 726 786	www.samsung.com/se/support



DC68-03924J-00



Tvättmaskin



Användarhandbok

WD90N6**** / WD80N6****

SAMSUNG

Innehåll

Information om säkerhet	4
Vad du behöver veta om säkerhetsinstruktioner	4
Viktiga säkerhetssymboler	4
Viktiga säkerhetsföreskrifter	5
Instruktioner för WEEE	15
Installation	16
Vad ingår	16
Installationskrav	18
Installationen steg för steg	20
Innan du startar	28
Initiala inställningar	28
Riktlinjer för tvättprogram	28
Riktlinjer för tvättmedelsfack	31
Köra maskinen	34
Manöverpanel	34
Enkla steg för att starta	36
Programöversikt	38
Specialfunktioner	42
Inställningar	44
SmartThings	45

Underhåll	50
Eco drum clean 	50
Smart Check 	51
Använda torkprogram	52
Nödtömning	53
Rengöring	54
Nätfilter	55
Återställning från frysande	58
Ta i beaktning den tid som tvättmaskinen inte används	58
Felsökning	59
Kontrollpunkter	59
Informationskoder	63
Specifikationer	67
Materialtabell	67
Skydda miljön	68
Specifikationsblad	69



Information om säkerhet

Grattis till din nya tvättmaskin från Samsung. Denna manual innehåller viktig information för installation, drift och underhåll av din maskin. Vänligen ta tid till att läsa denna manual för att dra nytta av din tvättmaskins många fördelar och egenskaper.

Vad du behöver veta om säkerhetsinstruktioner

Läs igenom den här användarhandboken noggrant för att säkerställa att du vet hur säkert och effektivt du använder vissa omfattande funktioner i din nya enhet. Förvara användarhandboken på en säker plats nära enheten för framtida referens. Använd denna hushållsapparat endast för avsett ändamål som beskrivs i denna manual.

Varningar och viktiga säkerhetsinstruktioner i denna manual omfattar inte alla möjliga betingelser och situationer som kan uppstå. Det är ditt ansvar att använda sunt förnuft, försiktighet och omsorg vid installation, underhåll och drift av din tvättmaskin.

Eftersom följande användaranvisningar täcker olika modeller, kan egenskaperna för din tvättmaskin skilja sig lite från de som beskrivs i den här bruksanvisningen och alla varningstecken kanske inte är tillämpliga. Om du har några frågor eller kommentarer, kan du kontakta närmaste servicecenter eller söka hjälp och information online på adressen www.samsung.com.

Viktiga säkerhetssymboler

Vad ikoner och tecken i denna bruksanvisning betyder:

 **VARNING**

Faror eller osäkra rutiner som kan leda till **svåra personskador, dödsfall och/eller materiella skador**.

 **VAR FÖRSIKTIG**

Faror eller osäkra rutiner som kan leda till **personskador och/eller materiella skador**.

 **OBS**

Anger att risk för personskador eller materiella skador föreligger.

 **Läs anvisningarna**



Dessa varningstecken finns här för att förhindra att du och andra skadas.

Vänligen följ dem uttryckligen.

Efter att du har läst den här användarhandboken ska du förvara den på ett säkert ställe för framtida referens.

Läs alla instruktioner innan du använder hushållsapparaten.

Liksom för annan utrustning som går på el och innehåller rörliga delar finns potentiella risker. För att säkert kunna använda den här utrustningen ska du bekanta dig med dess funktioner och testa den före användning.

Viktiga säkerhetsföreskrifter

VARNING

Följ säkerhetsföreskrifterna när du vill minska risken för eldsvåda, elektrisk stöt eller personskador när du använder maskinen, inklusive följande:

- 1.** Den här apparaten ska inte användas av personer (inklusive barn) med nedsatt fysisk, psykisk eller mental förmåga, eller som saknar erfarenhet och kunskap, förutom om de övervakas och instrueras i hur apparaten används av en person som ansvarar för deras säkerhet.
- 2. För användning i Europa:** Den här maskinen kan användas av barn från 8 år och personer med nedsatt fysisk, känslomässig eller mental förmåga eller avsaknad av erfarenhet och kunskap om de har fått tillräcklig övervakning eller instruktioner gällande användning av enheten på ett säkert sätt och om de förstår vilka faror som medförs. Barn får inte leka med enheten. Rengöring och underhåll ska inte utföras av barn utan övervakning.
- 3.** Barn skall övervakas för att försäkra om att de inte leker med hushållsapparaten.
- 4.** Om strömsladden är skadad måste den bytas ut av tillverkaren, servicerepresentant eller motsvarande behörig person för att undvika fara.

Information om säkerhet

5. De nya slanguppsättningen som levererades med tvättmaskinen ska användas och att den gamla uppsättningen av slangar inte får återanvändas.
6. För apparater som har en ventilationsöppning vid basen, säkerställ att en matta inte stör öppningarna.
7. **För användning i Europa:** Barn under 3 år bör hållas borta, om de inte kontinuerligt övervakas.
8. **VAR FÖRSIKTIG:** För att undvika fara på grund av oavsiktlig återställning av termisk säkring, får denna maskin inte tillföras via en extern kopplingsanordning, t.ex. en timer, eller anslutas till en krets som regelbundet slås på och av med nätet.
9. Torktumlaren ska inte användas, om kemikalier har använts vid rengöring.
10. Fiberfällan måste rengöras ofta, dock efter behov.
11. Bomullsfiber får inte anhopa sig runt torktumlaren. (gäller inte för apparater som är avsedda att ventileras till utsidan av byggnaden)
12. Adekvat ventilation måste tillhandahållas för att undvika återflöden av gaser in i rummet från apparater som använder annan bränsle, inklusive öppen eld.
13. Torka inte otvättade kläder i torktumlaren.
14. Klädföremål som har fläckar från ämnen såsom matolja, aceton, alkohol, bensen, fotogen, fläckborttagningsmedel, terpentin, vax och vaxborttagningsmedel ska tvättas i varmt vatten med extra mycket tvättmedel innan de torkas i torktumlaren.
15. Material såsom skumgummi (latexskum), duschmössor, vattentäta textilier, gummerade artiklar och kläder eller kuddar med innehåll av gummidynor får inte torkas i torktumlaren.
16. Sköljmedel, eller liknande produkter, bör användas som anges av instruktionerna för sköljmedel.

-
- 17.** Den sista delen av ett torkprogram sker utan värme (nedkylningscykel) för att säkerställa att tvätten ligger på en temperatur som säkerställer att klädföremålen inte skadas.
 - 18.** Ta bort alla föremål ur fickorna, såsom tändare och tändstickor.
 - 19. VARNING:** Stoppa aldrig ett torkprogram innan cykelns slut om inte alla klädföremål snabbt tas ur och sprids ut så att värmen leds bort.
 - 20.** Frånluft får inte släppas ut i en rökkanal som används för utsugning av rök från förbränningsapparater eller andra bränslen.
 - 21.** Apparaten får inte installeras bakom en låsbar dörr, en skjutdörr eller en dörr med gångjärn på motsatt sida av torktumlaren, på ett sådant sätt som begränsar ett fullständigt öppnande av luckan till torktumlaren.
 - 22. VARNING:** Tvättmaskinen får inte försörjas via en extern växelenhet, t.ex. en timer eller ansluten till en krets som regelbundet slås på och av med ett verk.



Information om säkerhet

Kritiska installations-varningar

VARNING

Installationen av denna hushållsapparat skall utföras av en kvalificerad tekniker eller serviceföretag.

- Underlåtenhet att göra detta kan resultera i elstötar, brand, explosion, problem med produkten, eller skada.

Enheten är tung, var försiktig när du lyfter i den.

Koppla in strömsladden i ett el-uttag på 220 - 240 V/50 Hz eller högre och använd enbart kontakten för den här maskinen. Använd aldrig förlängningsladd.

- Att dela ett vägguttag med andra apparater med hjälp av ett grenuttag eller förlängning av nätsladden kan orsaka en elektrisk stöt eller brand.
- Se till att spänning, frekvens och ström är desamma som i produktspecifikationerna. Underlåtenhet att göra detta kan orsaka en elektrisk stöt eller brand. Sätt i kontakten ordentligt i vägguttaget.

Avlägsna alla främmande ämnen, såsom damm eller vatten från polerna till stickkontakten och dess kontaktpunkter med en torr trasa regelbundet.

- Dra ut stickkontakten och rengör den med en torr trasa.
- Underlåtenhet att göra detta kan orsaka en elektrisk stöt eller brand.
- Koppla in strömkontakten i vägguttaget så att sladden dras mot golvet. Om du sätter i stickkontakten i uttaget i motsatt riktning, kan de elektriska ledningarna i kabeln skadas och detta kan resultera i elektriska stötar eller brand.

Håll allt förpackningsmaterial utom räckhåll för barn, eftersom det kan vara farligt.

- Om ett barn sätter en påse över huvudet kan det resultera i kvävning. Om enheten eller strömkontakten skadas ska du kontakta närmaste servicecenter.

Denna hushållsapparat måste vara korrekt jordad.

Jorda inte hushållsapparaten till ett gasrör, plast vattenledning eller telefonlinje.

- Detta kan resultera i elstötar, brand, explosion, eller problem med produkten.
- Koppla aldrig in strömsladden till ett uttag som inte är korrekt jordat och se till att det uppfyller lokala och nationella regler.

Installera inte enheten nära ett värmeaggregat eller antändbara material.

Installera inte den här enheten på en fuktig, oljig eller dammig plats, eller på en plats där du utsätts för direkt solljus eller vatten (regndroppar).

Installera inte den här enheten på en plats med låg temperatur.

- Frost kan göra att rören spricker.



Installera inte denna hushållsapparat på en plats där gas kan läcka ut.

- Det kan resultera i elchock eller brand.

Använd inte en elektrisk transformator.

- Det kan resultera i elchock eller brand.

Använd inte en skadad stickkontakt, skadad nätkabel eller löst vägguttag.

- Det kan resultera i elchock eller brand.

Dra inte eller överdrivet böj nätsladden.

Vrid inte eller gör en knut i nätsladden.

Haka inte på nätsladden över ett metallföremål, placera ett tungt föremål på nätsladden, för in strömsladden mellan föremål, eller tryck in nätsladden i utrymmet bakom hushållsapparaten.

- Det kan resultera i elchock eller brand.

Dra inte i sladden, när den kopplas från kontakten.

- Dra ut nätsladden genom att hålla i stickkontakten.
- Underlåtenhet att göra detta kan orsaka en elektrisk stöt eller brand.

Den här maskinen ska placeras så att det är lätt att komma åt elkontakten, vattentillförseln och utloppsroren.



Information om säkerhet

Installationsföreskrifter

VAR FÖRSIKTIG

Den här enheten ska placeras på ett sådant sätt att den är åtkomlig för strömkontakten.

- Underlåtenhet att göra detta kan resultera i elektriska stötar eller brand på grund av elektriskt läckage.

Installera och nivåinrikta enheten så att den kan bära sin egen vikt.

- Om du underlåter att göra detta kan det resultera i onormala vibrationer, ryck eller problem med produkten.

Kritiska användnings-varningar

VARNING

Om enheten svämmas över ska du kapa vattentillförseln och strömmen direkt och kontakta ditt närmaste servicecenter.

- Rör inte strömkontakten med våta händer.
- Om du underlåter att göra det kan det orsaka elektrisk stöt.

Om hushållsapparaten genererar ett konstigt ljud, luktar bränt eller rök, dra ur stickkontakten omedelbart och kontakta din närmaste serviceverkstad.

- Underlåtenhet att göra detta kan orsaka en elektrisk stöt eller brand.

I händelse av en gasläcka (som propan gas, gasol, etc.), ventilera omedelbart utan att vidröra stickkontakten. Rör inte hushållsapparaten eller nätkabeln.

- Använd inte en ventilationsfläkt.
- En gnista kan orsaka en explosion eller brand.

Låt inte barn leka i eller med tvättmaskinen. Demontera alltid lucklåset (spaken) när du ska göra dig av med tvättmaskinen.

- Om barn fastnar i produkten finns det risk för kvävning.

Se till att avlägsna förpackningsmaterial (skumgummi, plast) som sitter på tvättmaskinens undersida före användning.

Tvätta inte plagg som har kontaminerats med bensin, kerosen, benzen, tinner, alkohol eller andra antändbara eller explosiva ämnen.

- Detta kan resultera i elstötar, brand eller en explosion.



Öppna inte luckan till tvättmaskinen med våld under användning (tvätt i hög temperatur/tömning/centrifugering).

- Vatten som rinner ut ur tvättmaskinen kan resultera i brännskador eller göra så att golvet blir halt. Detta kan resultera i skador.
- Att öppna luckan med våld kan leda till skada på produkten eller personskada.

Stick inte in handen i tvättmaskinen under tiden den används.

- Detta kan resultera i skador.

Rör inte strömkontakten med våta händer.

- Detta kan leda till elektrisk chock.

Stäng inte av apparaten genom att dra ur kontakten när ett tvättprogram pågår.

- Genom att ansluta stickkontakten i vägguttaget igen kan orsaka en gnista och orsaka en elektrisk stöt eller brand.

Låt inte barn och personer med funktionsnedsättningar använda maskinen utan lämplig övervakning. Låt inte barn klättra in i eller på maskinen.

- Detta kan leda till elektrisk kortslutning eller personskada.

Stick inte in handen eller ett metallföremål under tvättmaskinen när den används.

- Detta kan resultera i skador.

Koppla inte ur enheten genom att dra ut strömssladden. Greppa alltid tag i kontakten med en fast hand och dra den rakt ut ur uttaget.

- Skada på sladden kan orsaka kortslutning, brand och/eller kortslutning.

Försök inte att reparera, ta isär eller modifiera apparaten på egen hand.

- Använd ingen säkring (såsom koppar, ståltråd etc) förutom standardsäkringen.
- När enheten behöver repareras eller ominstalleras ska du kontakta närmaste servicecenter.
- Underlåtenhet att göra detta kan resultera i elstöt, brand, problem med produkten eller skada.

Om vattentillförselslangen lossas från kranen och det flödar över vatten ska du koppla ur strömkontakten.

- Underlåtenhet att göra detta kan orsaka en elektrisk stöt eller brand.

Dra ur stickkontakten när hushållsapparaten inte används under en längre tid eller vid åska/åskväder.

- Underlåtenhet att göra detta kan orsaka en elektrisk stöt eller brand.

Om främmande ämnen tränger in i enheten ska du koppla ur strömkontakten och kontakta närmaste kundcenter för Samsung.

- Det kan resultera i elchock eller brand.

Låt inte barn (eller djur) leka på eller i tvättmaskinen. Luckan öppnas inte lätt från insidan, och barn kan skadas allvarligt om fångad inuti.



Information om säkerhet

Användningsföreskrifter

VAR FÖRSIKTIG

Om tvättmaskinen utsätts för främmande ämnen, såsom tvättmedel, smuts, matrester etc. ska du koppla ur strömkontakten och rengöra tvättmaskinen med en mjuk, fuktig trasa.

- Om du inte gör det kan det orsaka missfärgning, deformation, skada och rost.

Glaset till luckan kan brytas av en stor stöt. Var försiktig när du använder tvättmaskinen.

- Om glaset går sönder kan det orsaka personskada.

Efter ett vattentillföringsfel eller vid återanslutning av vattenslangen, öppnar du vattenkranen långsamt.

Öppna vattenkranen långsamt om den inte använts under längre tid.

- Lufttrycket i vattentillförselslangen eller vattenröret kan resultera i skada på en del eller i vattenläckage.

Om det inträffar ett fel vid tömningen under användning, ska du kontrollera om det finns ett tömningsproblem.

- Om tvättmaskinen används när den har svämmat över pga ett tömningsproblem kan det resultera i kortslutning eller brand.

Sätt in tvätten i tvättmaskinen helt och hållet, så att tvätten inte fastnar i luckan.

- Om tvätten fastnar i luckan, kan det resultera i skador på tvätten eller tvättmaskinen, eller resultera i vattenläckage.

Vrid av vattenkranen när tvättmaskinen inte används.

Se till att skruven på kontakten till vattenslangen är ordentligt åtdragen.

- Underlåtenhet att göra detta kan leda till materiella skador eller personskador.

Var försiktig så att inte gummipackningar och främre luckglaset blir nedsmutsat av främmande ämnen (exempelvis spill, trådar, hår etc.).

- Om ett främmande ämne fastnar i luckan eller luckan inte stängs helt kan det orsaka vattenläckage.

Öppna kranen och kontrollera om vattentillförselslangen är ordentligt åtdragen och att det inte finns några vattenläckage innan du använder produkten.

- Om skruvarna på vattentillförselslangen sitter löst kan det orsaka vattenläckage.

Produkten du har köpt är endast till för användning i hemmet.

Om den här produkten används i företagssyfte uppfyller det kriterierna för vårdslös produktanvändning. I det här fallet täcks inte produkten av standardgaranting som erbjuds av Samsung och inget ansvar kan tas av Samsung för felfunktion eller skador till följd av felaktig användning.



Stå inte på enhetens ovansida och placera inga föremål (exempelvis tvätt, tända ljus, tända cigaretter, kemikalier, metallföremål etc) på enheten.

- Detta kan resultera i elchock, brand, problem med produkten, eller skada.

Spraya inte flyktigt material som insektsmedel på hushållsapparaten yta.

- Förutom att det är skadligt för människor, kan det också resultera i elstötar, brand eller problem med produkten.

Placera inga föremål nära tvättmaskinen som genererar elektromagnetiska fält.

- Detta kan leda till skada på grund av ett tekniskt fel.

Vatten som töms ut under hög temperatur eller torkning är hett. Rör inte vid vattnet.

- Det kan resultera i brännskador eller skada.

Varken tvätta, tumla eller torka vattentäta säten, mattor eller kläder (*) om inte din apparat har ett särskilt program för att tvätta dessa artiklar.

(*): Yllekläder, regnskydd, fiskevästar, skidbyxor, sovsäckar, blöjomslag och cykelkläder, bilkläder etc.

- Tvätta inte tjocka, hårda mattor även om tvättmarkeringen visas på etiketten. Detta kan resultera i personskada eller skada på tvättmaskinen, väggar, golv och kläder på grund av onormala vibrationer.
- Tvätta inte mattor eller dörrmattor med gummibaksida. Gummit kan lossna och fastna i trumman och detta kan resultera i felfunktion, exempelvis vid tömning.

Använd inte tvättmaskinen när tvättmedelsfacket är utdraget.

- Detta kan resultera i elektriska stötar eller skada på grund av vattenläckage.

Rör inte vid insidan av trumman under tiden eller precis efter torkningen, eftersom den är het.

- Detta kan resultera i brännskador.

Stoppa inte in händerna i tvättmedelsfacket.

- Det här kan orsaka skada, eftersom du kan fastna med handen i inmatningsenheten för tvättmedel.
- Det flytande tvättmedlet (endast tillämpliga modeller) används inte istället för pulvertvättmedel. Ta bort hållaren när du använder pulvertvättmedel.

Placera inga andra föremål (exempelvis skor, matavfall, djur) utöver tvätt i tvättmaskinen.

- Detta kan resultera i att maskinen skadas eller skador och dödsfall av sällskapsdjur på grund av onormala vibrationer.

Tryck inte på knapparna med hjälp av vassa föremål, såsom nålar, knivar, fingernaglar, etc.

- Detta kan resultera i elektriska stötar eller personskador.



Information om säkerhet

Tvätta inte tvätt som förorenats av olja, krämer eller lösningar som köps i hudvårdsbutiker eller massagekliniker.

- Det kan göra att gummipackningen blir deformerad och resultera i vattenläckage.

Lämna inte metallföremål, såsom säkerhetsnålar eller hårnålar, eller blekmedel i trumman under för lång tid.

- Detta kan göra att trumman rostar.
- Om rost skulle börja uppstå på trummans yta skall du stryka på ett (neutralt) rengöringsmedel på ytan och använda en svamp eller en mjuk trasa för att rengöra det. Använd aldrig en metallborste. Använd aldrig en metallborste.

Använd inte torra rengöringsmedel direkt och tvätta, skölj eller tumla inte tvätt som förorenats av torra rengöringsmedel.

- Det kan resultera i spontan antändning på grund av värmeoxideringen av oljan.

Använd inte hett vatten från enheter för vattenkylning/-uppvärmning.

- Det kan resultera i problem med tvättmaskinen.

Använd inte vanlig tvål för händer till tvättmaskinen.

- Om den hårdnar och samlas inuti tvättmaskinen kan det resultera i problem med produkten, missfärgning, rost och dålig lukt.

Placera sockar och underkläder i tvättnät och tvätta dem tillsammans med annan tvätt.

Tvätta inte stora föremål såsom sängkläder i trumman.

- Underlåtenhet att göra detta kan leda till skada på grund av onormala vibrationer.

Använd inte härdat rengöringsmedel.

- Om det ackumuleras inuti maskinen, kan det leda till vattenläckage.

Se till att fickorna till alla kläder som ska tvättas är tömda.

- Hårda, vassa föremål, som mynt, säkerhetsnålar, spikar, skruvar eller stenar kan orsaka omfattande skador på hushållsapparaten.

Tvätta inte kläder med stora spännen, knappar eller andra metaller.

Sortera tvätten utifrån färg och välj rekommenderat program, vattentemperatur och ytterligare funktioner.

- Detta kan resultera i missfärgning eller skada på textilier.

Var försiktig så att inte barns fingrar fastnar i luckan när du stänger den.

- Om du inte gör det kan det orsaka personskada.



Kritiska rengörings-varningar

VARNING

Rengör inte hushållsapparaten genom att spruta vatten direkt på den.

Använd inte rengöringsmedel med stark syra.

Använd inte bensen, thinner eller alkohol för att rengöra apparaten.

- Detta kan leda till missfärgning, deformation, skada, elektrisk kortslutning eller brand.

Innan rengöring eller utförande av underhåll, dra ur nätsladden ur vägguttaget.

- Underlåtenhet att göra detta kan orsaka en elektrisk stöt eller brand.

Instruktioner för WEEE



Korrekt avfallshantering av produkten (elektriska och elektroniska produkter)

(Gäller i länder med separata insamlingssystem)

Denna symbol på produkten, tillbehören och i manualen anger att produkten och de elektroniska tillbehören (t.ex. laddare, headset, USB-kabel) inte bör sorteras tillsammans med annat hushållsavfall när de kasseras. Dessa föremål bör hanteras separat för ändamålsenlig återvinning av beståndsdelarna för att förhindra fara för hälsa och miljö.

Hushållsanvändare bör kontakta återförsäljaren som sålt produkten eller kommunen för vidare information om var och hur produkten och tillbehören kan återvinnas på ett miljösäkert sätt. Företagsanvändare bör kontakta leverantören samt verifiera angivna villkor i köpekontraktet. Produkten och de elektroniska tillbehören bör inte hanteras tillsammans med annat kommersiellt avfall.

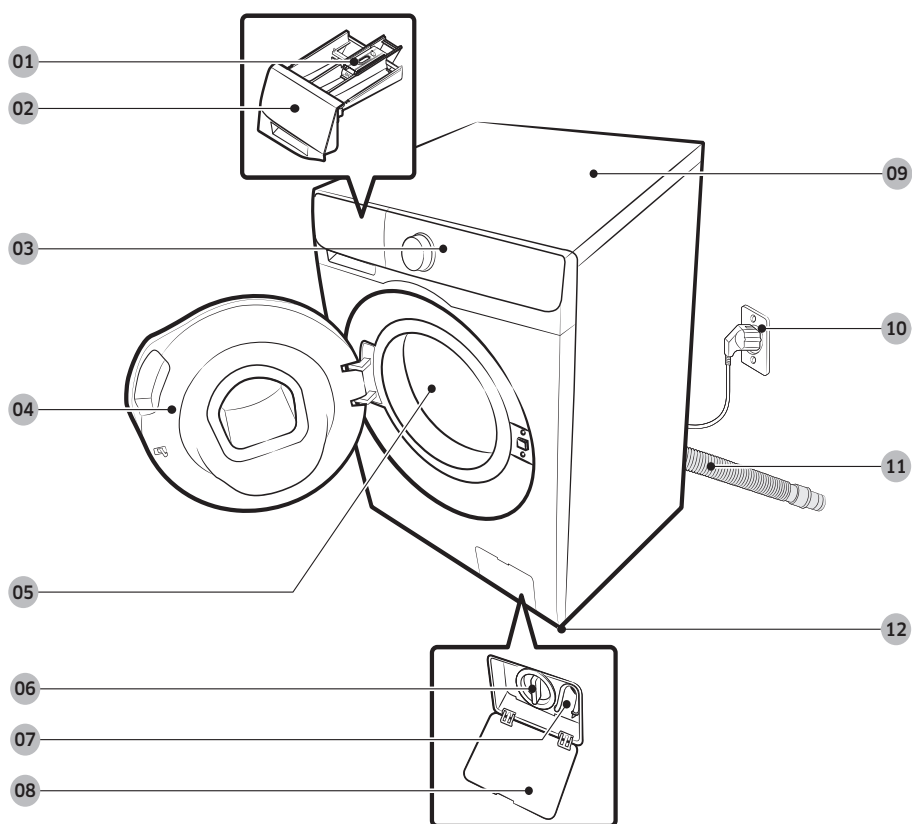
Besök samsung.com/uk/aboutsamsung/samsungelectronics/corporatecitizenship/data_corner.html om du vill veta mer om Samsungs miljöengagemang och om produktspecifika lagenliga skyldigheter (t.ex. REACH).

Installation

Följ de här instruktionerna noggrant för att säkerställa att tvättmaskinen installeras korrekt och för att förhindra att olyckor uppstår när du tvättar.

Vad ingår

Se till att alla delar finns med i förpackningen. Om du har problem med tvättmaskinen eller delarna, kontakta ett lokalt kundcenter eller en återförsäljare för Samsung.



01 Frigörningsspak

04 Lucka

07 Nödtömningsrör

10 Elkontakt

02 Tvättmedelshållare

05 Trumma

08 Filterlucka

11 Tömnings slang

03 Manöverpanel

06 Pumpfilter

09 Arbetsyta

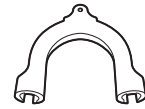
12 Nivåreglerande fötter



Skiftnyckel



Skruvbultar



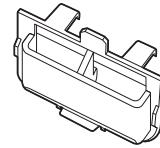
Slanghållare



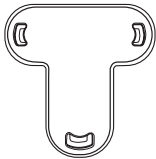
Kallvattenslang



Varmvattenslang



Fack för flytande tvättmedel



Lockfäste

OBS

- Skruvskydd: Antalet skruvskydd som medföljer (3 till 6) beror på modell.
- Varmvattenslang: Gällande modeller endast.
- Fack för flytande tvättmedel: Gällande modeller endast.



Installation

Installationskrav

Elström och jordning

- AC 220–240 V/50 Hz säkring eller krets brytare krävs
- Använd en individuell avdelningskrets avsedd för tvättmaskinen

För att säkerställa en korrekt jordning, kommer tvättmaskinen med en strömkabel och en trepolig jordad kontakt för användning i ett korrekt installerat och jordat uttag.

Kontrollera med en behörig elektriker eller serviceperson om du är osäker på jordning. Modifiera inte den medföljande stickkontakten. Om den inte passar i uttaget, kontakta en behörig elektriker och installera ett lämpligt vägguttag.

VARNING

- Använd INTE en förlängningssladd.
- Använd bara strömsladden som levereras med tvättmaskinen.
- Anslut INTE jordledningen till rörledningar i plast, gasledningar, eller varmvattenledningar.
- Felaktigt anslutna jordledare kan orsaka elektriska stötar.

Vattentillförsel

Korrekt vattentryck för den här tvättmaskinen ligger mellan 50 kPa och 800 kPa. Ett vattentryck på under 50 kPa kan göra så att vattenventilen inte stängs helt. Eller kan det ta längre tid att fylla trumman, vilket gör att tvättmaskinen stängs av. Vattenkranar måste vara inom 120 cm från baksidan av tvättmaskinen, så att inloppsslangarna kan nå tvättmaskinen. Minska risken för läckage:

- Se till att vattenkranarna lättåtkomliga.
- Vrid av kranarna när tvättmaskinen inte används.
- Kontrollera att det inte förekommer läckage på inloppsslangarnas kopplingar.

VAR FÖRSIKTIG

Kontrollera alla anslutningar vid vattenventilen och kranarna så det inte finns några läckor, före första användningen av tvättmaskinen.

Tömning

Samsung rekommenderar en stigrörshöjd på 60–90 cm. Dräneringsslangen måste anslutas genom slangklämman till stigröret, och stigröret måste täcka tömningslangen helt.



Golvbeläggning

För bästa prestanda måste tvättmaskinen installeras på ett stadigt golv. Golv i trä kan behöva förstärkas för att minimera vibrationer och/eller obalans. Mattor och mjuka ytor står inte emot vibrationer väl och kan göra att maskinen flyttar något på sig under centrifugeringen.

VAR FÖRSIKTIG

Installera INTE tvättmaskinen på en plattform eller ett underlag med dålig stödstruktur.

Vattentemperatur

Placera inte tvättmaskinen i områden där vatten kan frysa, då tvättmaskinen alltid behåller lite vatten i sina vattenventiler, pumpar och/eller slangar. Fruset vatten som lämnas kvar i anslutningsdelar kan orsaka skador på remmar, pump och andra komponenter i tvättmaskinen.

Installation i alkov eller på en instängd plats

Minsta spelrum för en stabil drift:

Sidor	25 mm
Ovansida	25 mm
Baksida	50 mm
Framsida	550 mm

Om både tvättmaskin och torktumlare installeras på samma plats måste främre delen av utrymmet ha en ohindrad öppning på minst 550 mm. Enbart tvättmaskinen kräver inte en specifik luftöppning.



Installation

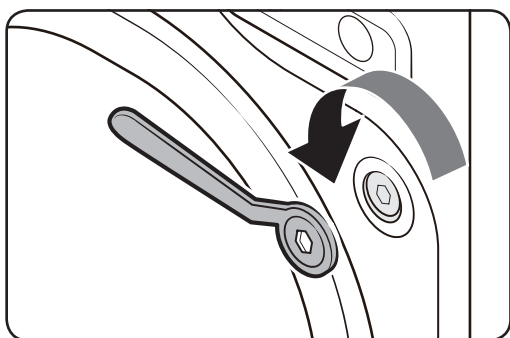
Installationen steg för steg

STEG 1 - Välj en plats

Krav på platsen:

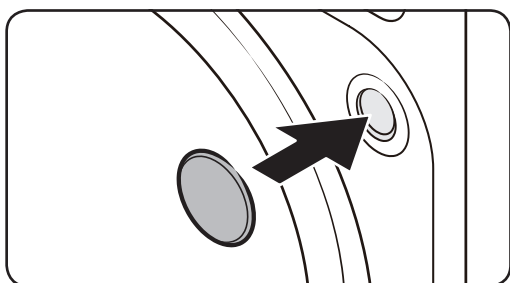
- Fast, jämn yta utan mattor eller golv som kan hindra ventilationen
- Skyddad från solljus
- Tillräckligt utrymme för ventilation och kabeldragning
- Den omgivande temperaturen är alltid högre än fryspunkten (0° C)
- Undvik närhet till värmekällor

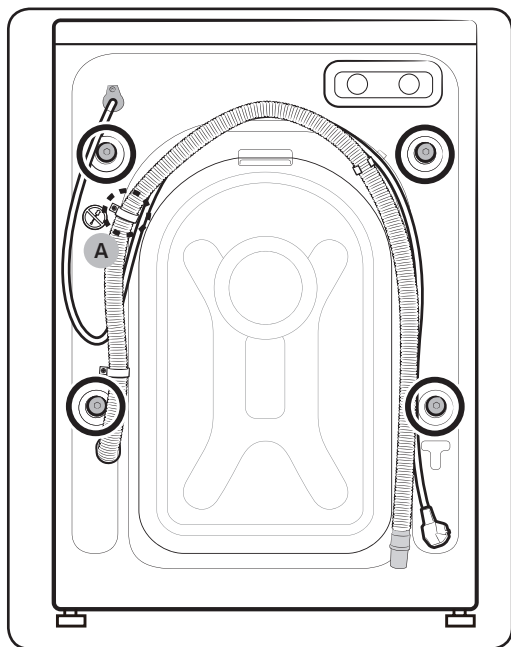
STEG 2 - Ta bort transportbultarna



Packa upp produkten och ta bort alla transportbultarna.

1. Lossa på alla transportbultar på baksidan av maskinen med den medföljande skruvnyckeln.
2. Fyll hålen med de medföljande täcklocken i plast. Spara transportbultarna för framtida användning.





3. Stäng alla navbultar i plast på baksidan av tvättmaskinen.

⚠ VAR FÖRSIKTIG

Ta inte bort skruv (A) som fixerar slangklämman.

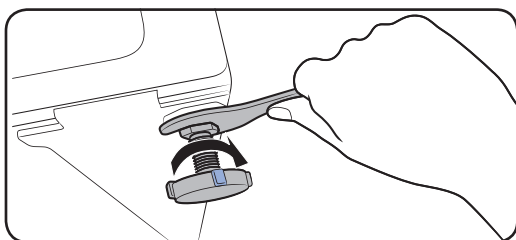
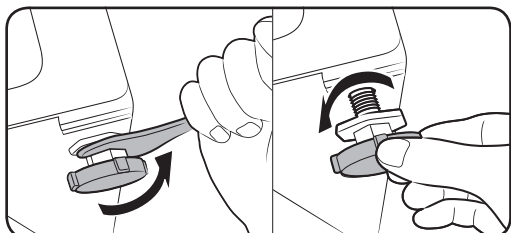
⚠ VARNING

Förpackningsmaterial kan vara farligt för barn. Släng allt förpackningsmaterial (plastpåsar, polystyren, etc.) ur räckhåll för barn.



Installation

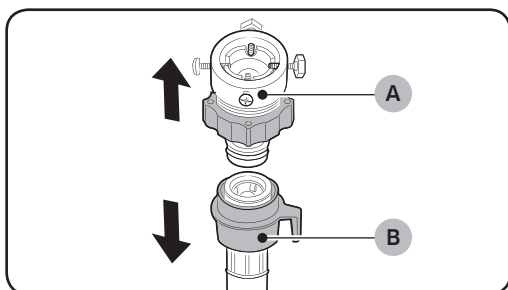
STEG 3 - Nivåreglera fötterna



1. Skjut in försiktigt tvättmaskinen på plats. Alltför för mycket kraft kan skada fötterna.
2. Nivåreglera tvättmaskinen genom att manuellt justera nivåföterna.
3. När nivåregleringen är klar, dra åt muttrarna med hjälp av en skruvnyckel.

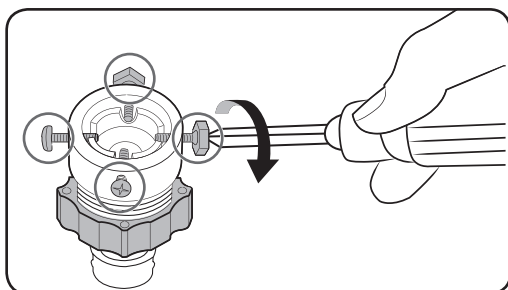
STEG 4 - Anslut vattenslangen

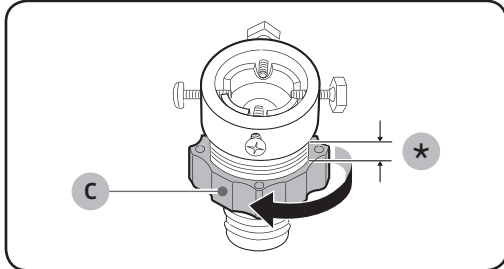
Den medföljande slangadapter kan skilja sig från modell till modell. Denna guide vägleder dig genom de olika stegen för anslutning av kontakt- typ adapter. Om du får en adapter av skruvtyp, gå till 7.



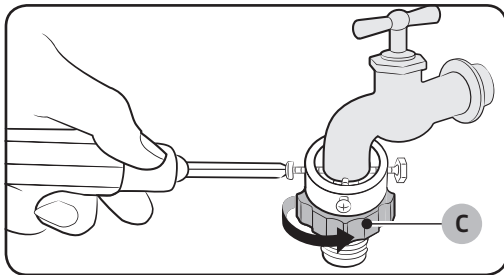
Anslut vattenslangen till vattenkranen.

1. Ta bort adapter (A) från vattenslangen (B).
2. Använd en stjärnskruvmejsel för att lossa de fyra skruvarna på adaptern.

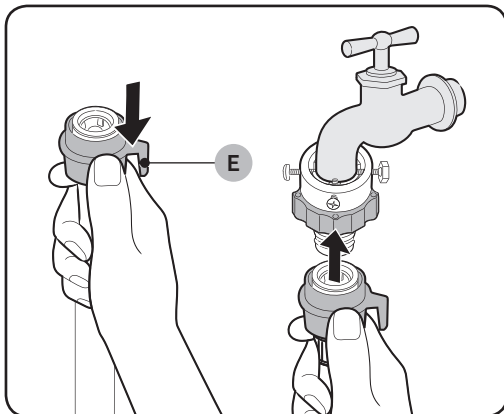




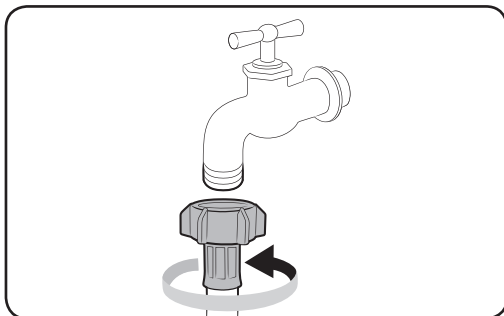
3. Håll i adaptern och vrid del (C) i pilens riktning för att lossa den med 5 mm (*).



4. Sätt i adaptern i vattenkranen och dra åt skruvarna samtidigt som du lyfter upp adaptern.
5. Vrid del (C) i pilens riktning för att dra åt den.



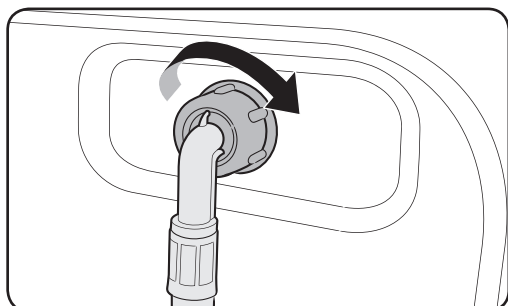
6. Medan du håller ned del (E), anslut vattenslangen till adaptern. Släpp sedan del (E). Slangen passar in i adaptern med ett klickande ljud.



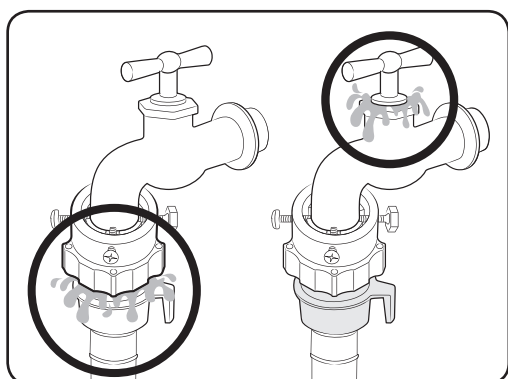
7. Om du använder en vattenkran av skruvtyp, använd den medföljande adapter av skruvtyp för att ansluta till vattenkranen, såsom visas.



Installation



8. Anslut den andra änden av vattenslangen till inloppet för vattenventilen på baksidan av tvättmaskinen. Vrid slangen medurs för att dra åt.



9. Öppna vattenkranen och kontrollera om det finns några läckor kring anslutningsområdena. Om det finns vattenläckor, upprepar du föregående stegen enligt ovan.

VARNING

Sluta använda tvättmaskinen om det finns en vattenläcka, och kontakta ett lokalt servicecenter för Samsung. Annars kan det orsaka en elektrisk stöt.

VAR FÖRSIKTIG

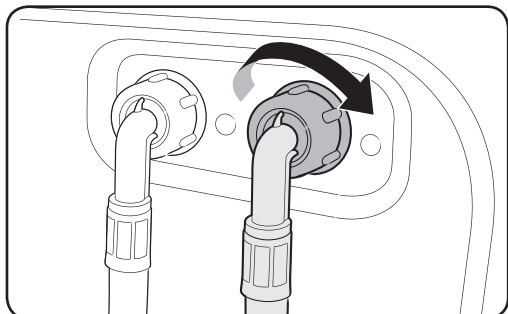
Sträck inte vattenslangen med våld. Om slangen är för kort, byt ut den mot en längre högtrycksslang.

OBS

- Efter att du har anslutit vattenslangen till adaptern ska du kontrollera att den är korrekt ansluten genom att dra vattenslangen nedåt.
- Använd en standard typ av vattenkran. Om kranen är fyrkantigt formad eller för stor, ta bort mellanlägsbrickan innan du för in kranen i adaptern.

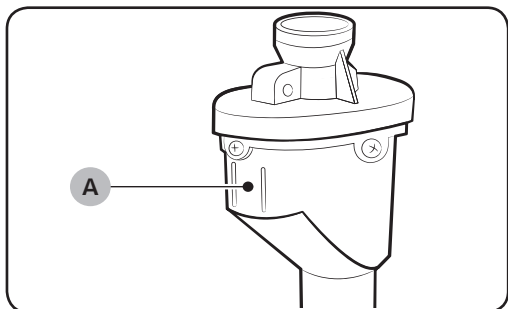


För utvalda modeller som har ett extra inlopp för varmvatten:



1. Anslut den röda änden av den varma vattenslangen till inloppet för varmvatten på baksidan av maskinen.
2. Anslut den andra änden av varmvattenslangen till varmvattenkranen.

Aqua slang (endast gällande modeller)



Aqua slangen varnar användare för risk för vattenläckage. Den känner av vattenflödet och visar rött på mitten indikator (A) i händelse av en läcka.

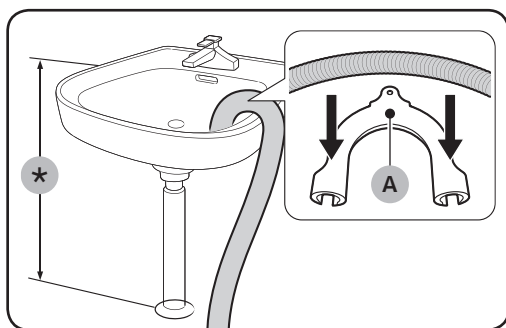
OBS

Änden på stoppslangen för vatten ska monteras på vattenkranen och inte på maskinen.

Installation

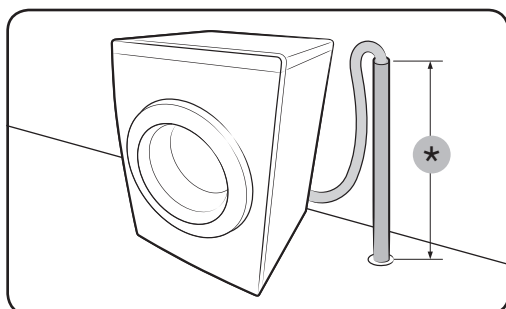
STEG 5 - Placera avloppsslangen

Avloppsslangen kan placeras på tre sätt:



Över kanten på ett tvättställ

Avloppsslangen måste placeras på en höjd av mellan 60 cm och 90 cm (*) från golvet. För att hålla pipen på avloppsslangen böjd, använd den medföljande **plastslangsguiden (A)**. Fäst guiden på väggen med hjälp av en krok för att säkerställa en stabil dränering.

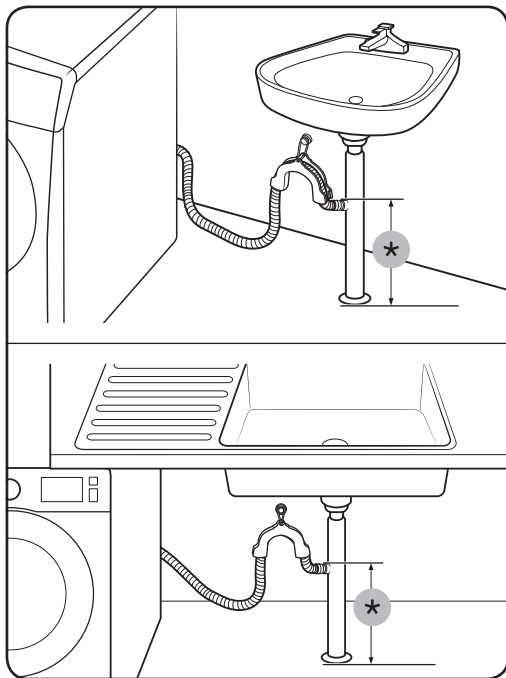


I ett avloppsrör

Avloppsröret bör vara mellan 60 cm och 90 cm hög (*). Rekommendationen är att använda en 65 cm högt vertikalt rör. Se till att tömningsslangen är ansluten till stigröret vid en vinkling.

Krav för tömning av stigröret:

- En minsta diameter på 5 cm
- En minimal bortförsekapacitet på 60 liter per minut



I ett förgrenat dräneringsrör till vasken

Dräneringsrörets förgrening måste ligga ovanför vaskens tömning så att slangens ände är minst 24 tum (60 cm) ovanför golvet.

(*) : 24 tum (60 cm)

STEG 6 - Slå på tvättmaskinen

Koppla in strömledningen i ett vägguttag med ett godkänt uttag på 220-240 V / 50 Hz som skyddas via en säkring eller krets brytare. Tryck sedan på knappen **Ström** för att slå på tvättmaskinen.



Innan du startar

Initiala inställningar

Kör kalibrering (rekommenderas)

Kalibrering säkerställer att tvättmaskinen identifierar korrekt vikt. Se till att trumman är tom innan du kör Kalibrering.

1. Stäng av och sätt sedan på tvättmaskinen.
2. Håll ned **Temp.** och **Fördröj sluttid +** samtidigt i 3 sekunder för att gå in i kalibreringsläge. "Cb" meddelande visas.
3. Tryck på **Start/Paus (Håll för start)** för att köra kalibreringscykel.
4. Trumman roterar medurs och moturs i ca 3 minuter.
5. När cykeln är klar, visas "0" i visningsfönstret och tvättmaskinen stängs av automatiskt. Tvättmaskinen är nu klar att användas.

Riktlinjer för tvättprogram

STEG 1 - Sortera

Sortera tvätten enligt dessa kriterier:

- Tvättetikett: Sortera tvätten i bomull, blandfiber, syntet, silke, ylle och rayon.
- Färg: Separera vita från färgade plagg.
- Storlek: Genom att blanda plagg i olika storlekar tillsammans i trumman förbättrar du tvättresultatet.
- Känslighet: Tvätta fintvävt separat som tillval för rena, nya plagg i ull, gardiner och silke. Kontrollera etiketterna på plaggen.

OBS

Se till att kontrollera etiketten för tvättråd på plaggen, och sortera dem därefter innan tvätt.



STEG 2 - Töm fickorna

Töm alla fickor på dina plagg

- Metallföremål som mynt, nålar och spännen på kläder kan skada andra plagg samt trumman.

Vänd plagg med knappar och broderi ut och in

- Om dragkedjor i byxor och jackor är öppna samtidigt som du tvättar, kan trumman skadas. Dragkedjor bör stängas och fixerades med ett snöre.
- Kläder med långa strängar kan bli intrasslad med andra kläder. Se till att de inte hänger löst när du startar programmet.

STEG 3 - Använd en tvättpåse

- Behå (tvättbara i vatten) ska placeras i en tvättpåse. Behå med metalldelar kan bryta igenom och riva sönder andra plagg.
- Små och lätta plagg som sockar, handskar, strumpor och näsdukar kan fasta runt luckan. Lägg dem i en tvättpåse.
- Tvätta inte endast tvättpåsen utan tvätta den tillsammans med andra plagg. Detta kan orsaka onormala vibrationer som kan flytta tvättmaskinen och resultera i personskador.

STEG 4 - Förtvätt (om nödvändigt)

Välj alternativet förtvätt som det valda programmet, om tvätten är mycket smutsig. Använd inte alternativet Förtvätt när tvättmedel manuellt läggs in i trumman eller om du fyller på flytande tvättmedel.

STEG 5 - Bestäm viktkapaciteten

Överbelasta inte tvättmaskinen. Om du överbelastar tvättmaskinen kan det göra så att tvättmaskinen inte tvättar ordentligt. Viktkapaciteten för denna typ av plagg, se sidan 37.

OBS

Vid tvätt av lakan eller påslakan, kan tvättiden förlängas eller så kan centrifugeffekten minskas. För lakan och påslakan, är den rekommenderade maximala centrifugeringshastigheten 800 rpm och viktkapaciteten 2,0 kg.

VAR FÖRSIKTIG

- Obalanserad tvätt kan minska prestandan i centrifugeringen.
- Se till att tvätten är helt inne i trumman och inte fångad i luckan.
- Smäll inte igen luckan. Stäng luckan försiktigt. Annars kanske dörren inte stängs ordentligt.

Innan du startar


STEG 6 - Tillför lämplig tvättmedelstyp

Den typ av tvättmedel som tillsätts beror på typen av material (bomull, syntet, fintvätt, ylle), färgat, tvätttemperatur och smutsgrad. Se till att använda tvättmedel som är producerat för automatiska tvättmaskiner.

OBS

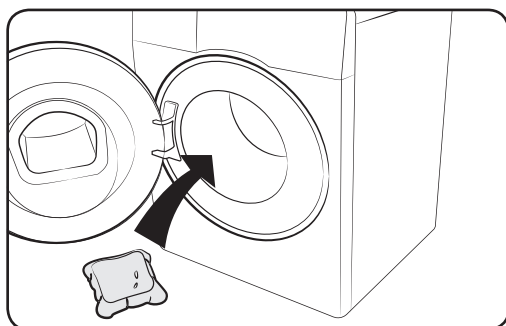
- Följ tvättmedelstillverkarens råd baserade på tvättens vikt, graden av nedsmutsning, och hårdheten på vattnet i ditt område. Om du är osäker på vattnets hårdhet, kontakta din kommun.
- Använd inte tvättmedel som tenderar att hårdna eller klumpar sig. Detta tvättmedel kan finnas kvar efter sköljningscykeln, som då blockerar avloppet.
- Om alltför många bubblor inträffar under en tvättcykel, visas ett meddelande om "Sud".

VAR FÖRSIKTIG

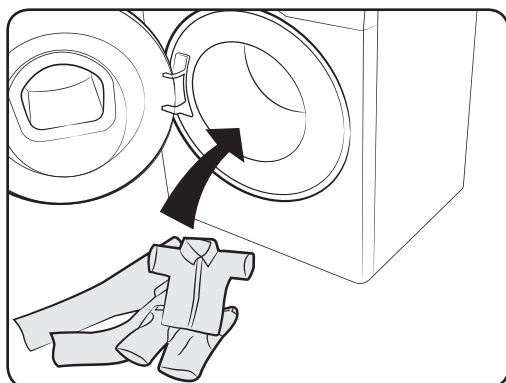
När du tvättar ylleplagg med programmet **YLLE** , använd ett tvättmedel avsedd för ylleplagg. Om det används med programmet **YLLE**  kan det hända att pulvertvättmedel finns kvar på tvätten och missfärgar den.

Tvättkapslar

För att få bästa resultat vid användning av tvättkapslar, följ dessa anvisningar.



1. Placera kapseln i botten av trumman längst bak.



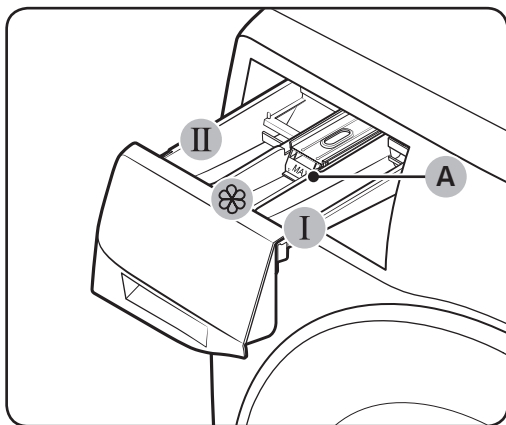
2. Lägg tvätten på kapseln i trumman.


VAR FÖRSIKTIG

För program med kallt vatten eller som avslutar på mindre än en timme, kan det hända att kapseln inte upplöser.

Riktlinjer för tvättmedelsfack

Tvättmaskinen har en hållare med tre separata fack: det vänstra facket för huvudtvätt, facket i mitten för sköljmedel och facket till höger för förtvätt.



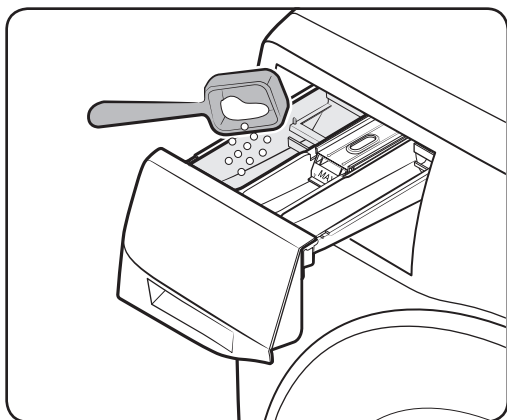
- 01** **I** Fack för förtvätt: Sätt i förtvättmedel eller stärkelse.
- 02** **II** Fack för huvudtvätt: Sätt i tvättmedel för huvudtvätt, sköljmedel, medel för blötläggning, blekmedel och/eller fläckborttagningsmedel.
- 03**  Sköljmedelsfack: Lägg till tillsatsmedel såsom sköljmedel. Överskrid inte maxlinjen (A).

VAR FÖRSIKTIG

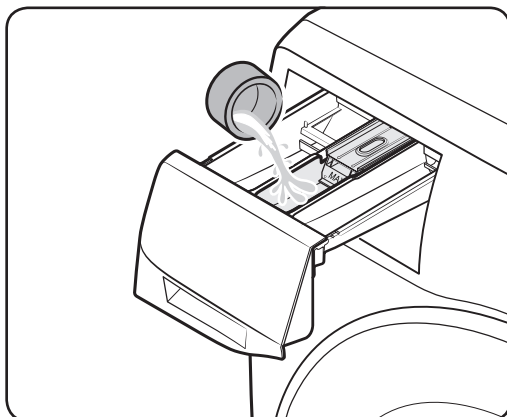
- Öppna inte tvättmedelsfacket under tiden som tvättmaskinen är igång.
- Använd inte följande typer av rengöringsmedel:
 - Tablett eller kapsel typ
 - Kula eller nät
- För att förhindra tvättmedelsfacket från att täppas till, måste koncentrerat eller höganrikt medel (sköljmedel eller tvättmedel) spädas ut med vatten innan det tillämpas.
- Innan du flyttar tvättmaskinen, se till att tömma facket med tvättmedel som kan innehålla tvättmedel och/eller mjukmedel. Innehållet i facket kan spillas ut på golvet.

Innan du startar

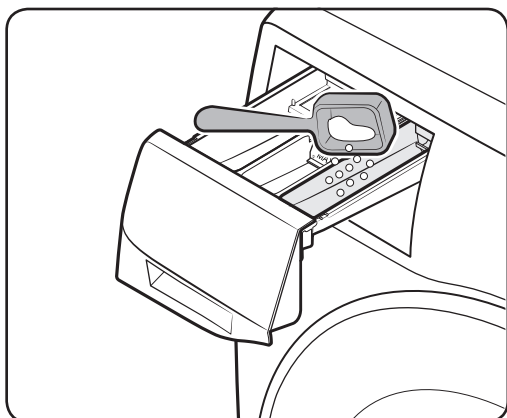
För att lägga till rengöringsmedel i låda med tvättmedelsfacket



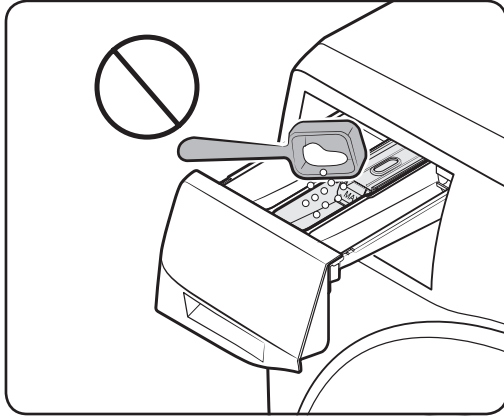
1. Öppna tvättmedelsfacket med att skjuta ut det.
2. Lägg i tvättmedel till **II** facket för huvudtvätt enligt tillverkarens anvisningar eller rekommendationer. För att använda flytande tvättmedel, se sidan 33.




3. Sätt i sköljmedel i  sköljmedelsfack. Överskrid inte maxlinjen.



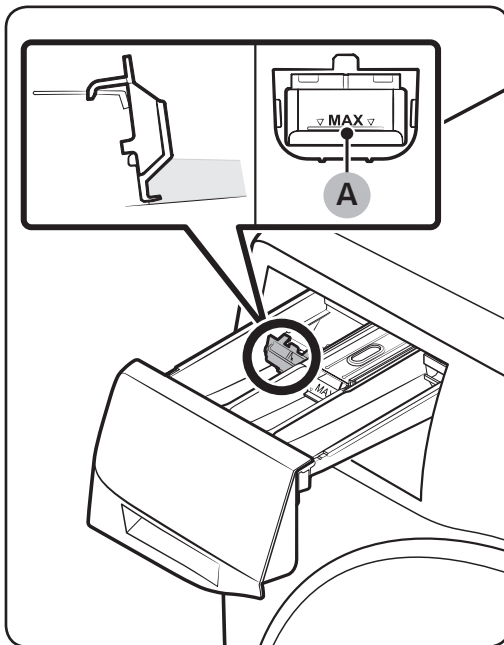
4. Om du vill förtvätta, lägg i förtvättmedel till **I** Fack för förtvätt enligt tillverkarens anvisningar eller rekommendationer.
5. Stäng lådan med tvättmedelsfacket.



⚠ VAR FÖRSIKTIG

- Fyll inte på pulvertvättmedel i vätskebehållaren.
- Koncentrerat sköljmedel måste spädas med vatten före tillämpning.
- Lägg inte i tvättmedel för huvudtvätt i  sköljmedelsfack.

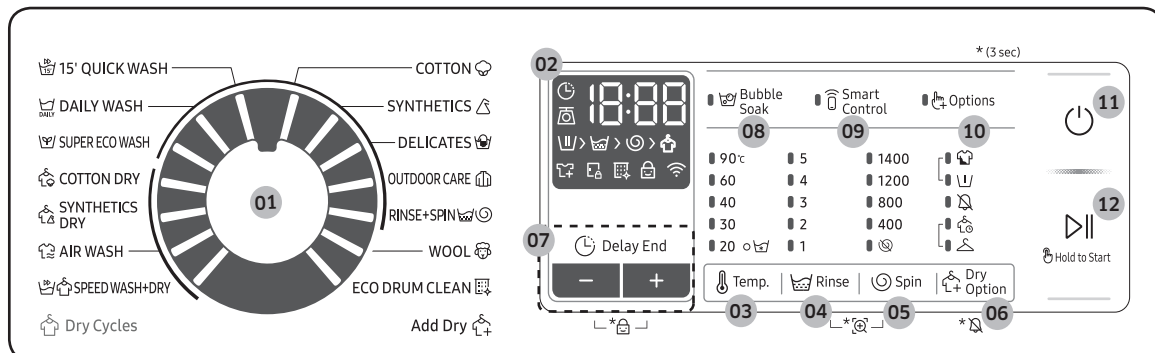
För att använda flytande tvättmedel (endast tillämpliga modeller)



För först in den medföljande vätskebehållaren i **II** facket för **huvudtvätt**. Fyll sedan på med flytande tvättmedel i behållaren under den markerade maxlinjen (A).

Köra maskinen

Manöverpanel



01 Programväljare	Vrid på programväljaren för att välja ett program.
02 Visningsfönster	Visningsfönstret visar aktuell programinformation och beräknad återstående tid, eller en informationskod när ett problem uppstår. För knappar och ikoner, se motsvarande sida.
03 Temp.	Tryck för att ändra vattentemperaturen för det aktuella programmet.
04 Skölj	Tryck för att ändra sköljtider för det aktuella programmet. Du kan ställa in sköljtider till max 5, beroende på cykeln.
05 Centrifug	Tryck för att ändra centrifugeringshastigheten för det aktuella programmet. Varvtal per minut (RPM) skiljer sig för olika modeller. <ul style="list-style-type: none"> • Behåll sköljvatten (Ingen indikator): Den sista sköljcykeln avbryts så att tvätten förblir kvar i vattnet. För att tömma tvätten, kör en tömnings- eller centrifugeringscykel. <ul style="list-style-type: none"> - När alternativet pausad sköljning ska användas, tryck centrifugera upprepade gånger till dess att samtliga numeriska indikatorer för varvtal per minut stängts av. Inte tillgänglig för programmet TÖMNING/CENTRIFUGERING. • Ingen centrifugering : Trumman roterar inte efter den sista tömningscykeln. <ul style="list-style-type: none"> - Om du vill använda alternativet Ingen centrifugering, trycker du på Centrifugera upprepade gånger tills indikatorn Ingen centrifugering (☹️) slås på. • Endast centrifugering: För att köra cykeln Endast centrifugering, tryck på Centrifug i 3 sekunder. När cykeltid och centrifugeringshastighet visas, tryck på Centrifug upprepade gånger tills en önskad centrifugeringshastighet har valts. Håll sedan Start/Paus (Håll för start) nedtryckt för att starta tvättcykeln. Centrifugeringstiden beror på den valda cykeln.

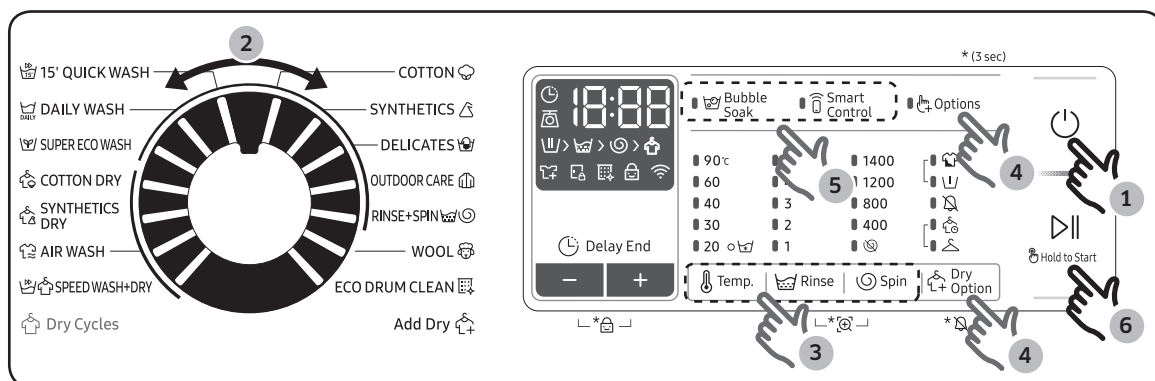
06 Alternativ torkning	<p>Tryck för att välja en nivå för torkning: Skåptorrt > Torktiden (30 min > 1:00 tim > 1:30 tim > 2:00 tim > 2:30 tim > 3:00 tim > 3:30 tim > 4:00 tim > 4:30 tim) > Ingen tork</p> <ul style="list-style-type: none"> • Skåptorrt: Använd detta alternativ för att torka tvätt såsom bomull, underkläder och linne. • Torktiden: Använd detta alternativ för att torka tvätten för angiven tidsperiod beroende på fibrer, mängden tvätt och fukt. • Ingen tork: Använd detta alternativ om du inte använder en torkcykel.
07 Fördröj sluttid	<p>Fördröj sluttid låter dig ställa in sluttiden för pågående cykel. Baserat på dina inställningar, kommer starttiden av cykeln bestämmas av maskinens interna logik. Till exempel är denna inställning användbar för att programmera maskinen för att avsluta en tvätt när du normalt återvänder hem från jobbet.</p> <ul style="list-style-type: none"> • Tryck på för att välja en förinställd enhet i timmar.
08 Bubble blötläggning	<p>Tryck för att aktivera/inaktivera funktionen Bubble blötläggning. Det hjälper till att avlägsna många olika svåra fläckar.</p> <ul style="list-style-type: none"> • Bubble blötläggning hjälper till att avlägsna en mängd svåra fläckar. • När Bubble blötläggning valts, blötläggs tvätten noggrant i vattenbubblor för effektiv tvättning. • Bubble blötläggning är tillgänglig och lägger till upp till 30 minuter till dessa tvättcykler: BOMULL, SYNTET, DAGLIG TVÄTT och SNABBTVÄTT+TORK.
09 Smart Control	<p>Tryck för att aktivera/inaktivera funktionen Smart Control. När funktionen Smart Control är aktiverad, kan du styra din tvätt med din mobila enhet. För mer information, se avsnittet SmartThings på sidan 45.</p>
10 Alternativ	<p>Tryck för att välja alternativ. Tillgängliga alternativ skiljer sig beroende på program.</p>
11 Ström	<p>Tryck för att sätta på/av tvättmaskinen.</p>
12 Start/Paus (Håll för start/Hold to Start)	<p>Tryck och håll för att starta en drift, eller tryck för att stoppa en drift tillfälligt.</p>

Mer information om alternativen finns i avsnittet Specialfunktioner.

Köra maskinen

Enkla steg för att starta

Standardsteg



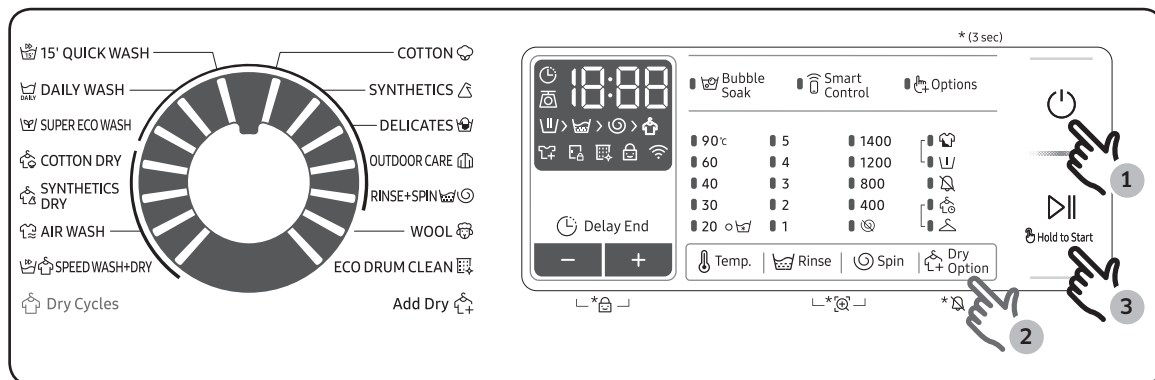
1. Tryck på **Ström**-knappen för att slå på tvättmaskinen.
2. Välj ett program på programpanelen.
3. Ändra programinställningar (**Temp.**, **Skölj**, och **Centrifug**) efter behov.
4. Tryck **Alternativ** eller **Alternativ torkning** för att lägga till önskade alternativ. Tillgängliga alternativ kan variera beroende på vald cykel.
5. Maskinen stöder alternativen **Bubble blötläggning** och **Smart Control** för enkel åtkomst. För att använda ett alternativ, tryck på motsvarande knapp.
6. Tryck och håll **Start/Paus (Håll för start)**.

För att ändra programmet under körning av tvättprogrammet

1. Tryck på **Start/Paus (Håll för start)** för att stoppa tvättprogrammet.
2. Välj ett annat tvättprogram.
3. Tryck på **Start/Paus (Håll för start)** knappen igen för att starta det nya tvättprogrammet.

Endast torkning

Följ dessa steg för att torka fuktig tvätt eller tvätt som just har tvättats klart.



1. Tryck på **Ström**-knappen för att slå på tvättmaskinen.
2. Tryck **Alternativ torkning** upprepade gånger tills en önskad torknivå är inställd.
3. Tryck och håll **Start/Paus (Håll för start)**.

För att ändra programmet under körning av tvättprogrammet




1. Tryck på **Start/Paus (Håll för start)** för att stoppa tvättprogrammet.
2. Välj ett annat tvättprogram.
3. Tryck på **Start/Paus (Håll för start)** knappen igen för att starta det nya tvättprogrammet.

Köra maskinen


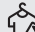


Programöversikt

Standardprogram

Program	Beskrivning och max vikt (kg)	
BOMULL ☁	<ul style="list-style-type: none">För bomullsplagg, lakan, bordsdukar, underkläder, handdukar, eller skjortor. Tvätt- och sköljtiden justeras automatiskt beroende på belastningen.	Max
SYNTET △	<ul style="list-style-type: none">För blusar och skjortor som är gjorda av polyester (Diolen, Trevira), polyamid (perlon, nylon), eller liknande.	4,0
FINTVÄTT 🧺	<ul style="list-style-type: none">För känsligt tyg som konstsilke, viskosfiber och syntetiskt blandat fiber.För bästa resultat, använd flytande tvättmedel.	2,0
YTTERKLÄDER 🏠	<ul style="list-style-type: none">För ytterkläder, skidkläder och sportkläder som är gjorda av funktionella material såsom Elastan, stretch, och mikrofiber	2,0
SKÖLJ + CENTRIFUG 🧺🌀	<ul style="list-style-type: none">Med en extra sköljning efter tillförande av sköljmedel till tvätten.	Max
YLLE 🧶	<ul style="list-style-type: none">Specifikt för maskintvättbart ylle för belastning mindre än 2,0 kg.Programmet 🧶 ylleplagg visar upp mjuka pulserande rörelser och blötläggning för att skydda yllefibrer från att krympa/förvrída sig.Ett neutralt rengöringsmedel rekommenderas.	2,0
ECO DRUM CLEAN 🧺	<ul style="list-style-type: none">Rengör trumman genom att avlägsna smuts och bakterier.Rengör luckans gummipackning genom att avlägsna smuts från packningen.Utför en gång för var 40:e tvätt utan tillsättning av tvättmedel eller blekmedel. Den meddelar automatiskt efter varje 40 tvättar.Kontrollera att trumman är tom.Använd inga rengöringsmedel för rengöring av trumman.	-



Program	Beskrivning och max vikt (kg)
SNABBTVÄTT 15' 	<p>För lätt smutsade plagg och mindre än 2,0 kg tvätt som du behöver snabbt.</p> <ul style="list-style-type: none"> Använd inte mer än 20 g tvättmedel. Skulle du använda mer än 20 g tvättmedel, kan rester av tvättmedel fläcka tvätten. För flytande rengöringsmedel ska maximalt 20 ml flytande tvättmedel användas.
DAGLIG TVÄTT 	<ul style="list-style-type: none"> Användningsområden för dagliga plagg såsom underkläder och skjortor.
SUPER ECO WASH 	<ul style="list-style-type: none"> Cykeln Eco Bubble med låg temperatur hjälper till att spara energi.

Torkprogram



Program	Beskrivning och max vikt (kg)
BOMULL TORR 	<ul style="list-style-type: none"> För allmän torkning.
SYNTEK TORR 	<ul style="list-style-type: none"> En torkcykel med låg temperatur för värmekänsliga plagg.
AIR WASH 	<ul style="list-style-type: none"> Det är programmet används för att ta bort dålig lukt. När du vrider på Programväljaren växlar användningsläget enligt följande.
SNABBTVÄTT+ TORK 	<ul style="list-style-type: none"> Ytterligare torkning kan behövas beroende på plaggens volym och tjocklek. <p>OBS Maximal belastning (4,5 kg) testade i enlighet med IEC-standarden (4 bomullskuddar, 3 bomullshanddukar, 5 lättskotta kuddar, 10 lättskotta skjortor).</p>

Köra maskinen

Alternativ

Alternativ		Beskrivning
	Intensiv	<ul style="list-style-type: none">För hårt nedsmutsad tvätt. Programtiden för varje cykel är längre än normalt.
	Förtvätt	<ul style="list-style-type: none">Detta kommer att lägga till en tvättcykel med förtvätt innan cykeln för huvudtvätten.

Alternativ torkning

Alternativ		Beskrivning
	Skåptorrt	<ul style="list-style-type: none">Välj att torka tvätten automatiskt genom att detektera tvättens mängd och vikt. Välj detta för att torka bomullskläder som bomullsbyxor, T-shirts och underkläder i bomull.
	Torktid	<ul style="list-style-type: none">Används för att torka tvätten under en viss tid enligt material, belastning och fukt.

Fördröj sluttid 🕒

Du kan ställa in så att tvättmaskinen avslutar din tvätt automatiskt vid ett senare tillfälle, du kan välja från 1 till 24 timmars förskjutning (i intervaller om 1 timme). Den timme som visas indikerar tiden när tvättprogrammet avslutas.

1. Välj ett program med nödvändiga inställningar.
2. Tryck på **Fördröj sluttid** (eller +/- knappen) upprepade gånger tills önskad sluttid är satt.
3. Tryck och håll **Start/Paus (Håll för start)**. Indikatorn Fördröj sluttid blinkar och tvättmaskinen vrider trumman för att känna av vikten på tvätten, om avkänning av tvätten är förinställd för det valda programmet. När den är klar visas den inställda tiden med timern igång.
4. För att avbryta Fördröj sluttid, starta om tvättmaskinen genom att trycka på **Ström-**knappen.

Exempelfall

Du vill avsluta ett två timmars program efter 3 timmar från nu. I så fall ska du lägga till alternativet Fördröj sluttid till aktuellt program med tretimmarsinställningen, tryck och håll **Start/Paus (Håll för start)** klockan 14:00. Vad händer sedan? Tvättmaskinen startar klockan 15:00 och avslutas klockan 17:00. Nedan ser du tidslinjen för det här exemplet.




Belastningssensor 📊

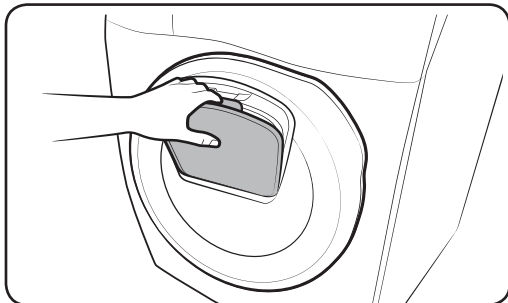
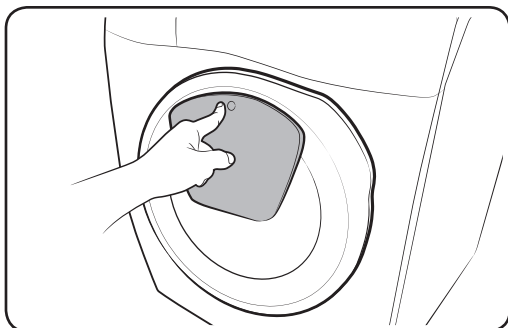
Ikonen med belastningssensor tänds när du väljer en cykel som stöder avkänning av tvätt. Vissa program kanske inte stöder avkänning av belastning. När du startar programmet, blinkar ikonen eller är solid under processen för avkänning av tvätten och stängs av när processen är klar.

Köra maskinen

Specialfunktioner

AddWash

När AddWash indikatorn  slås på, kan du stoppa körning av maskinen och fylla på ytterligare tvätt- och sköljmedel i trumman. Add Door öppnas mer än 130° för enkel åtkomst.



1. Tryck på **Start/Paus (Håll för start)** för att stoppa tvättprogrammet.
2. Tryck på den övre delen av Add Door tills du hör ett klickande ljud för att låsa upp. Dra i handtaget för att öppna Add Door.
3. Öppna Add Door och fyll på ytterligare tvätt- och sköljmedel i trumman.
4. Skjut in Add Door tills du hör ett klickande ljud för att stänga den.
5. Tryck och håll **Start/Paus (Håll för start)** när du ska återuppta driften.

VAR FÖRSIKTIG

Utsätt inte Add Door för alltför hårt tryck. Den kan gå sönder.

OBS

Vattnet inuti trumman läcker inte ut om Add Door stängs ordentligt. Vattendroppar kan bildas runt fönstret, men de läcker inte från insidan av trumman.

VAR FÖRSIKTIG

- Öppna inte Add Door om såplödder har bildats inuti trumman som stiger över Add Door nivån.
- När maskinen är drift, försök inte att öppna Add Door utan att först ha tryckt **Start/Paus (Håll för start)**. Observera att Add Door kan öppnas oavsiktligt (utan att trycka på **Start/Paus (Håll för start)**) när tvätten är färdig.
- Undvik att överbelasta maskinen genom Add Door. Prestandan kan försämrans.
- Använd inte den nedre delen av Add Door som ett handtag. Fingrarna kan klämmas.
- Se till att ingen tvätt fastnar i Add Door.
- Hålla sällskapsdjur borta från tvättmaskinen, särskilt vid Add Door.
- När hett vatten används för tvätten, tycks Add Door läcka vatten efter att ha öppnat och stängt Add Door. Detta är normalt, helt enkelt eftersom ånga som tar sig ut från den öppna Add Door har svalnat och bildat vattendroppar på ytan.
- När Add Door stängs, tillsluts luckan och inget vatten kan läcka ut. Dock kan du upptäcka något som verkar vara en vattenläcka runt luckan - lite kvarstående vatten runt Add Door kan bilda vattendroppar. Detta är normalt.
- Varken huvudluckan eller Add Door kan öppnas när vattentemperaturen är över 50°C. Huvudluckan kan inte öppnas, om vattennivån inuti trumman är över en viss grad.
- Om en informationskod för **“DDC”** visas på displayen, se avsnittet **Informationskoder** för ytterligare åtgärder.
- Håll Add Door och dess omgivning ren hela tiden. Skräp eller tvättmedel på eller runt tätningarna för den Add Door kan orsaka läckage.

Köra maskinen

Inställningar

Barnlås

För att förhindra att barn eller spädbarn av misstag startar eller ställer in tvättmaskinen, finns det barnlås som låser samtliga knappar förutom **strömknappen**.

När du vill aktivera Barnlås

- Tryck och håll - och + (för alternativet **Fördröj sluttid**) samtidigt i 3 sekunder. Tryck och håll sedan **Start/Paus (Håll för start)** för att aktivera. Indikator för luckan och barnlås tänds.

När du tillfälligt vill avaktivera Barnlås

Du kan avaktivera barnlås tillfälligt i 1 minut. Luckan är olåst i 1 minut och indikatorn för barnlåset blinkar.

- Tryck och håll - och + (för alternativet **Fördröj sluttid**) samtidigt i 3 sekunder.

OBS

- Om du öppnar luckan i 1 minut eller längre efter att barnlåset har avaktiverats, ljuder ett larm i upp till 2 minuter.
- Om du stänger luckan inom 2 minuter, aktiveras låset för lucka och barnlås. Om du inte stänger luckan eller att den inte stängs ordentligt, ljuder larmet i 2 minuter.
- För att lägga till tvätt efter aktivering av barnlås, ska du först avaktivera barnlåset eller starta om tvättmaskinen.

När du vill avbryta Barnlås

- Tryck och håll - och + (för alternativet **Fördröj sluttid**) samtidigt i 3 sekunder för att avaktivera, och tryck sedan och håll ned knapparna igen i 3 sekunder för att avbryta barnlås. Luckan låses upp och indikatorn Barnlås stängs av.

Ljud på/av

Du kan slå på eller stänga av ljudet på tvättmaskinen. När denna funktion är inställd på Av, kommer inte AddWash-larmet, melodin för avslutad tvättcykel och avstängningsljudet att höras. Dock förblir de andra ljuden aktiva.

- För att dämpa ljudet, tryck och håll **Alternativ torkning** i 3 sekunder.
- För att slå på ljudet, håll knappen nedtryckt igen i 3 sekunder.
- Din inställning kvarhålls även efter att du startat om maskinen.

SmartThings

WiFi-anslutning

På din smarta telefon, gå till Inställningar och slå på den trådlösa anslutningen och välj en AP (Åtkomstpunkt).

OBS

- Denna enhet är endast avsedd för hushållsbruk (klass B) och kan användas i alla bostadsområden.
- Denna enhet kan orsaka störning på trådlös uppkoppling, och varken tillverkaren eller installatören för den här enheten kan garantera en säkerhetsåtgärd av något slag.
- Rekommenderad krypteringsmetoder är WPA/TKIP och WPA2/AES. Senaste utvecklade WiFi-protokoll eller icke godkända WiFi-protokoll stöds inte.
- Känsligheten i mottagning för ett trådlöst nätverk kan påverkas av omgivande trådlösa miljöer.
- Om din internetleverantör har registrerat datorns MAC-adress eller modemmodulen för permanent användning, kan din Samsung tvättmaskin inte ansluta till internet. Om så är fallet, kontakta din internetleverantör.
- Brandväggen för internet kan störa din internetanslutning. Om det händer, kontakta din internetleverantör.
- Om felet för internet kvarstår efter att ha följt åtgärder från din internetleverantör, ska du kontakta en lokal återförsäljare för Samsung eller servicecenter.
- För installation av trådbundna och trådlösa routrar, se routerns användarmanual.
- Samsung tvättmaskin stöder WiFi 2,4 GHz protokoll.
- Samsung tvättmaskin stöder IEEE802.11 b/g/n (2,4 GHz), Soft-AP protokoll.
- (IEEE802.11n rekommenderas)
- En icke godkänd trådbunden/trådlös router kanske inte kan anslutas till Samsungs tvättmaskin.

Hämta hem

På en app-marknad (Google Play Store, Apples app-butik, appar från Samsung Galaxy) hittar du appen SmartThings med en sökterm på "SmartThings". Hämta hem och installera appen på din enhet.

OBS

- Appen SmartThings är tillgänglig på tredje parts enheter med Android OS 6.0 (Marshmallow) eller högre, Samsung-enheter med Android OS 5.0 (Lollipop) eller högre och iOS-enheter med iOS 10.0 eller högre. För iPhone-telefoner, ska det vara iPhone 6 eller högre. Appen är optimerad för Samsung smarta telefoner (Galaxy S och Notes-serien).
- Vissa funktioner på appen kan fungera annorlunda på tredje parts enheter.
- Appen kan komma att ändras utan föregående meddelande för förbättrad prestanda.

Logga in

Du måste först logga in på SmartThings med ditt konto hos Samsung. När du ska skapa ett nytt konto hos Samsung, följ anvisningarna i appen. Du behöver inte en separat app för att skapa ditt konto.

Köra maskinen

OBS

Om du har ett konto hos Samsung, ska du använda kontot för att logga in. En registrerad användare av Samsung smart telefon loggar automatiskt in.

För att registrera enheten till SmartThings

1. Kontrollera att den smarta telefonen är ansluten till ett trådlöst nätverk. Om så inte skulle vara fallet, gå till **Inställningar** och slå på den trådlösa anslutningen och välj en AP (Åtkomstpunkt).
2. Välj att köra **SmartThings** på din smarta telefon.
3. När ett meddelande "En ny enhet har hittats." välj **Lägg till**.
4. Om inget meddelande visas, väljer du + och välj sedan din tvättmaskin i en lista över tillgängliga enheter. Om tvättmaskin inte är listad, väljer du **Enhetstyp > Specifik enhetsmodell**, och lägg sedan till tvättmaskinen manuellt.
5. Registrera din tvättmaskin på appen SmartThings enligt följande.
 - a. Logga in på SmartThings med ditt Samsung-konto.
 - b. Slå på WiFi-anslutning.
 - c. Lägg till din tvättmaskin till SmartThings. Se till att tvättmaskinen är ansluten till SmartThings.
 - d. När registreringen är slutförd visas tvättmaskinen på din smarta telefon.

Tvättmaskinens app

Integrerad kontroll: Du kan övervaka och kontrollera tvättmaskinen både hemma och när du är på språng.

- Välj ikonen med Tvättmaskin på SmartThings. Tvättmaskinens sida visas.
- Kontrollera driftstatus eller meddelanden relaterad till din tvättmaskin och ändra alternativ eller inställningar om det behövs.

SmartThings

Kategori	Kontrollpunkt	Beskrivning
Övervakning	Tvättstatus	Du kan kontrollera aktuell tvättcykel, resterande cykeltid och alternativen.
	Smart Control	Status för Smart Control visas för tvättmaskinen.
	Egenkontroll	Använd denna när du ska kontrollera om tvättmaskinen fungerar normalt.
	Energiövervakning	Använd denna för att övervaka status för energiförbrukningen.
Kontrollera	Start/Paus/Avbryt	Välj en cykel och nödvändiga alternativ. Välj sedan Start/Paus/Avbryt när du vill starta en tvättcykel, tillfälligt stoppa eller att avbryta den aktuella tvättcykeln.
	Min favorit	Lägg till ofta använda tvättcykler och alternativ till Min favorit för senare användning.
Meddelande	Tvättcykeln slutförd	Meddelar dig att den aktuella tvättcykeln är klar.
	AddWash larm (endast tillämpliga modeller)	Meddelar dig om en ny tvättlast.
	Återstående tvätt (endast gällande modeller)	Meddelar dig om tvätt som är kvar efter att en tvättcykel är slutförd.

Köra maskinen

Kategori	Kontrollpunkt	Beskrivning
Q-Rator	Tvättprogram *	Du kan välja tygtyp, färg och smutsnivå för att få rekommenderade alternativ och tvättcykler som du kan börja med direkt.
	Planeringsschema för tvätt *	Du kan ställa in önskad tid för när en tvättcykel ska avslutas. När du har ställt in önskad tid, får du en rekommenderad tvättcykel som slutar inom den tid du ställt in, och du kan starta eller reservera den rekommenderade cykeln.
	HomeCare-guiden*	Tillhandahåller regelbundna rapporter med en analys av maskinens driftläge i en användaruppkopplad frekvens (varje vecka/månad). Du kan använda den regelbundna rapporten för att kontrollera ditt användningsmönster, krav på underhåll och energiförbrukning ** under den angivna tidsperioden.
	* Kräver 'SmartThings', tillgänglig på Android och iOS. Registrering krävs. ** Endast vägledande resultat.	

Meddelande om öppen källkod

Programvaran som medföljer den här produkten innehåller programvara med öppen källkod. Du kan erhålla den kompletta motsvarande källkod under en period av tre år efter den sista leveransen av denna produkt genom att skicka ett e-post till <mailto:oss.request@samsung.com>.

Det är också möjligt att få den kompletta motsvarande källkod i ett fysiskt medium som t.ex. en CD-ROM; en minimiavgift kommer att debiteras.

Följande URL http://opensource.samsung.com/opensource/SMART_AT_051/seq/0 skickar dig till sidan för nedladdning av källkoden som görs tillgänglig och licensinformation om öppen källkod för denna produkt. Detta erbjudande gäller för alla i mottagandet av denna information.



OBS

Härmed förklarar Samsung Electronics att hushållsapparaten radioutrustningstyp överensstämmer med direktiv 2014/53/EU. Den fullständiga texten till EU-försäkran om överensstämmelse finns på följande internetadress: Den officiella försäkran om överensstämmelse finns på <http://www.samsung.com>, Gå till Support > Sök produktsupport och ange namnet på modellen.

WiFi med max sändareffekt: 20 dBm på 2.412GHz - 2.472GHz

Underhåll

Håll tvättmaskinen ren för att undvika försämrade prestanda, och för att bevara livscykeln på den.

Eco drum clean

Utför detta program regelbundet för att rengöra trumman genom att avlägsna bakterier från den. Detta program värmer upp vattnet mellan 60°C och 70°C, och det tar också bort ackumulerad smuts från luckans gummipackning.

1. Tryck på **Ström**-knappen för att slå på tvättmaskinen.
2. Vrid på **programväljaren** för att välja **ECO DRUM CLEAN**.
3. Tryck på och håll **Start/Paus (Håll för start)**.

VAR FÖRSIKTIG

Använd inga rengöringsmedel för rengöring av trumman. Kemisk rester i trumman kan orsaka skada på tvätten eller tvättmaskinens trumma.

ECO DRUM CLEAN-påminnelse

- **ECO DRUM CLEAN** påminnelsen visas på huvudskärmen en gång var 40:e tvätt. Det är lämpligt att utföra **ECO DRUM CLEAN** regelbundet.
- När man först ser denna påminnelse, kan du bortse från påminnelsen 6 tvättar i följd. Från den 7:e tvätten, visas påminnelsen inte längre. Dock visar den sig igen på den andra 40:e tvätt.

Smart Check

För att aktivera den här funktionen måste du först ladda ner Samsung Smart Washer appen från Play Store eller App Store, och installera det på en mobil enhet med kamerafunktion.

Funktionen Smart Check har optimerats för Galaxy och iPhone serier (endast gällande modeller).

1. När tvättmaskinen detekterar ett problem som ska kontrolleras, visas en informationskod i visningsfönstret. När du ska ange läget Smart Check, tryck och håll knapparna **Skölj** och **Centrifug** samtidigt i 3 sekunder.
2. Tvättmaskinen startar förfarande för självdiagnos och visar en informationskod, om ett problem upptäcks.
3. Kör Samsung Smart Washer appen på din mobila enhet, och knacka Smart Check.
4. Placera den mobila enheten nära tvättmaskinens visningsfönster, så att den smarta telefonens kamera och tvättmaskinens visningsfönster är riktade mot varandra. Felkoden kommer då att upptäckas automatiskt av appen.
5. När informationskoden detekteras korrekt, ger appen detaljerad information om problemet med tillämpliga lösningar.

OBS


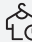
- Funktionsnamnet, Smart Check, kan variera beroende på vilket språk som används.
- Om tvättmaskinen reflekterar ljus på fönstervisningen, kan det hända att appen inte känner av felkoden.
- Om appen inte känner av koden för Smart Check i följd, ange felkoden manuellt på app-skärmen.

Underhåll

Använda torkprogram

Alla alternativ för torkning med undantag för alternativet Torktid detekterar vikten av tvätten för att visa en mer noggrann torktid och torka tvätten mer effektivt .

Se tabellen nedan för att välja lämpligt alternativ för torkning enligt typ och mängd av tvätt och fukt som du vill lämna.

Läge	Torkalternativ	Användning	Lastkapacitet (kg)	
			BOMULL TORR	SYNTE TORR
Automatisk torkning	 Skåptorrt	Använd detta alternativ för att torka tvätt såsom bomull, underkläder och linne.	5 kg	3 kg
Manuell torkning	 Torktid	Använd detta alternativ för att torka tvätten för angiven tidsperiod beroende på fibrer, mängden tvätt och fukt.	30 ~ 270 min. (i steg om 30 minuter).	30 ~ 270 min. (i steg om 30 minuter).

OBS

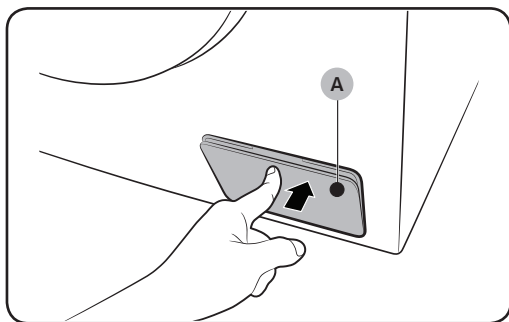
- Torkresultatet kan variera beroende på vald tvättcykel och typ/mängden tvätt.
- Om båda tvätt- och torkcykler väljs, ställs centrifugeringshastigheten automatiskt in för att öka effektiviteten i torkning.
- Om du vill torka tvätten efter en handtvätt, vrid cykelväljaren för att välja centrifugeringscykel, och välj sedan ett alternativ för torkning för bästa resultat.
- När torkningen är fullbordad, kan damm från de torkade kläderna finnas kvar på membranet på grund av strykningseffekten som förhindrar veck. Dammet tvättas bort under följande tvätt. Alternativt kan du enkelt ta bort det med en fuktig handduk eller trasa.

VAR FÖRSIKTIG

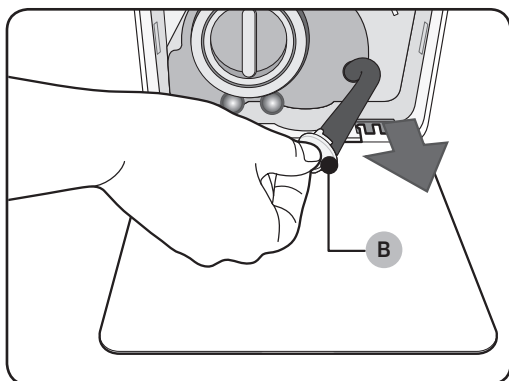
- Använd inte torkfunktionen efter att ha lagt till blekmedel i tvätten under en tvätt eller torkning. Annars kan tvätten missfärgas eller materialet skadas.
- Använd inte torkfunktionen för kläder med pälsfoder eller tillverkat av akrylmaterial. Detta kan resultera i att torkfunktionen försämras.
- Rör inte insidan av trumman eller tvättmaskinens yta under eller strax efter torkning, då trumman kan vara het. Detta kan resultera i brännskador.

Nödtömning

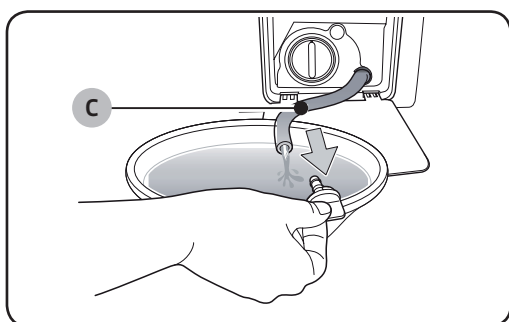
I händelse av ett strömavbrott, töm vattnet inuti trumman innan du tar ut tvätten.



1. Stäng av och koppla bort tvättmaskinen från eluttaget.
2. Tryck försiktigt den övre delen av filterluckan (A) för att öppna.



3. Sätt en tom, rymlig behållare runt luckan, och sträck den avloppsslangen för nödtömning till behållaren medan du håller i slanglocket (B).



4. Öppna slanglocket och låt vattnet i slangen för Nödtömning (C) rinna ut i behållaren.
5. När du är klar, stäng slanglocket, och för in slangen åter. Stäng sedan filterluckan.

OBS

Använd en rymlig behållare eftersom vattnet i trumman kan vara mer än väntat.

Underhåll

Rengöring

Tvättmaskinens yta

Använd en mjuk trasa med ett mildt rengöringsmedel. Spruta inte vatten på tvättmaskinen.

Add Door



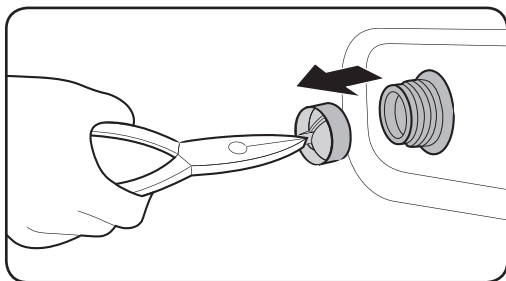
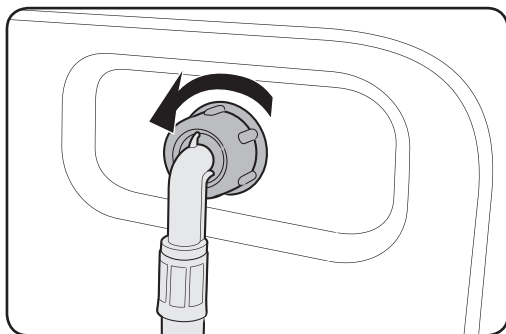
1. Öppna Add Door.
2. Använd en våt trasa för att rengöra Add Door.
 - Använd inte rengöringsmedel. Missfärgning kan uppstå.
 - Var försiktig när du rengör gummipackningen och låsmekanismen (A).
 - Damma av området runt fönstret regelbundet.
3. Torka upp och stäng Add Door tills du hör ett klickande ljud.

⚠ VAR FÖRSIKTIG

- Utsätt inte Add Door för alltför hårt tryck. Den kan gå sönder.
- Lämna inte Add Door öppen medan maskinen är i drift.
- Placera inte tunga föremål på Add Door vid någon tidpunkt.
- För att förhindra fysisk skada, rör inte Add Door medan trumman roterar.
- Öppna inte Add Door medan maskinen är i drift. Detta kan orsaka fysisk skada.
- Mixtra inte med panelen medan Add Door är öppen. Detta kan orsaka fysisk skada eller systemfel.
- Sätta inte in något annat än tvätt.
- Undvik att mata in skrymmande föremål i trumman via Add Door.
- Dra inte ut gummipackningen från Add Door vid rengöring. Detta kan orsaka skador.

Nätfilter

Rengör nätfiltret i vattenslangen en eller två gånger om året.



1. Stäng av tvättmaskinen och dra ut nätsladden.
2. Stäng vattenkranen.
3. Skruva loss och ta bort vattenslangen från baksidan av tvättmaskinen. Täck slangen med en trasa för att förhindra att vatten forsar ut.
4. Använd en tång för att dra ut nätfiltret från inloppsventilen.
5. Sänk nätfiltret djupt i vatten, så att den gängade kontakten också blötläggs.
6. Låt nätfiltret torka i skuggan.
7. Sätt tillbaka nätfiltret i inloppsventilen, och anslut vattenslangen till inloppsventilen.
8. Öppna vattenkranen.

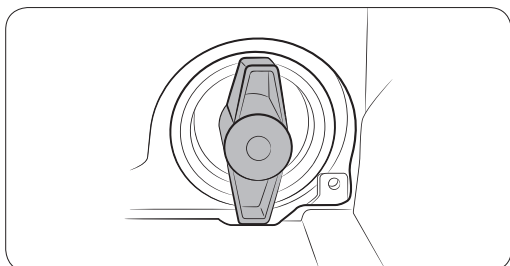
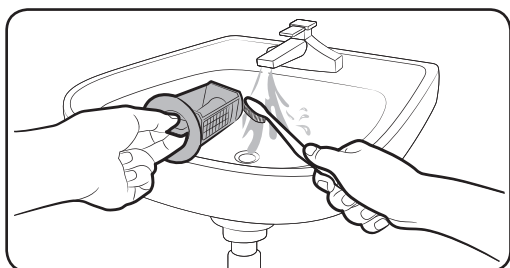
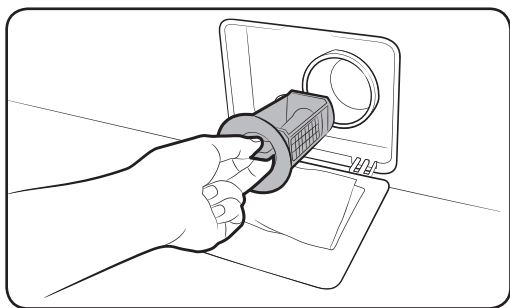
OBS

Om nätfiltret är tilltäppt, visas en informationskod "4C" på skärmen.

Underhåll

Pumpfilter

Det är lämpligt att rengöra pumpfiltret 5 eller 6 gånger per år för att förhindra dess tilltäppning. Ett tilltäppt pumpfilter kan minska bubbel effekten.



1. Stäng av tvättmaskinen och dra ut nätsladden.
2. Töm återstående vattnet inuti trumman. Se avsnittet "Nödtömning".
3. Tryck försiktigt den övre delen av filterluckan för att öppna.
4. Vrid knappen för smutsfiltret till vänster, och tappa ur resterande vatten.
5. Rengör pumpfiltret med mjuka borstar. Se till att tömningspumpens propeller inuti filtret är inte är tilltäppt.
6. Återför pumpfiltret och vrid filterknappen till höger.

OBS

- Vissa smutsfilter har en säkerhetsknapp som är utformade till att förhindra olyckor på barn. För att öppna säkerhetsknappen på smutsfiltret, skjut in den och vrid moturs. Säkerhetsknappens fjädermekanismen öppna filtret.
- För att stänga säkerhetsknappen för smutsfiltret, vrid den medurs. Fjädern ger ifrån sig ett rasslande ljud, vilket är normalt.

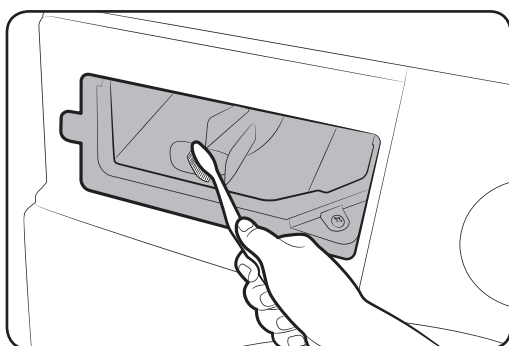
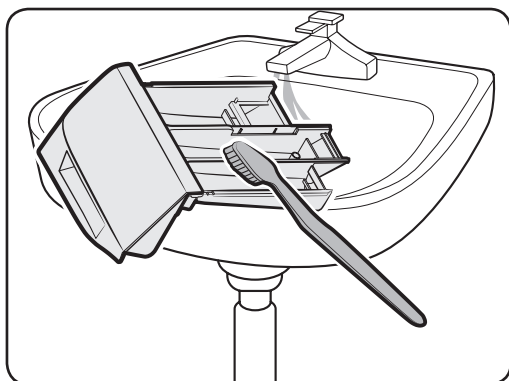
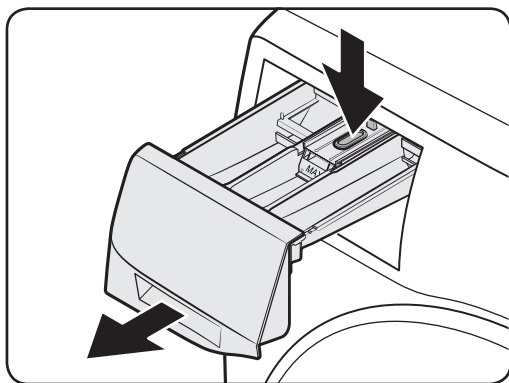
OBS

Om pumpfiltret är tilltäppt, visas en informationskod "5C" på skärmen.

VAR FÖRSIKTIG

- Kontrollera att filterlocket är stängt ordentligt efter rengöring av filtret. Annars kan det orsaka en läcka.
- Se till att filtret är ordentligt isatt efter rengöring. I annat fall kan det leda till ett programfel eller en läcka.

Tvättmedelshållare



1. Medan du håller ned **spaken för lösgörande** på insidan av facket för tvättmedel, ska det dra ut.
2. Rengör tvättmedelshållarens komponenter med mjuk borste under strömmande vatten.
3. Rengör tvättmedelshållarens inre med en mjuk borste.
4. Sätt tillbaka frigöringsspaken och facket för flytande tvättmedel till tvättmedelshållaren.
5. Skjut tvättmedelshållaren inåt för att stänga den.

OBS

För att ta bort återstoden av rengöringsmedel, utför programmet **SKÖLJ + CENTRIFUG** med trumman tom.

Underhåll

Återställning från fryсандe

Tvättmaskinen kan frysa när det sjunker under 0°C.

1. Stäng av tvättmaskinen och dra ut nätsladden.
2. Häll varmt vatten över vattenkranen för att lossa på vattenslangen.
3. Ta bort vattenslangen och dränk den i varmt vatten.
4. Häll varmt vatten i trumman och låt den stå i ca 10 minuter.
5. Anslut åter vattenslangen till vattenkranen.

OBS

Om tvättmaskinen fortfarande inte fungerar normalt, upprepa ovanstående steg tills den fungerar normalt.

Ta i beaktning den tid som tvättmaskinen inte används

Undvik att lämna tvättmaskinen oanvänd under en längre tid. Om detta är fallet, töm tvättmaskinen och dra ut nätsladden.

1. Vrid **programväljaren** för att välja **SKÖLJ+CENTRIFUG**.
2. Töm trumman och håll **Start/Paus (Håll för start)** nedtryckt.
3. När tvättprogrammet är klart, stäng av vattenkranen och koppla loss vattenslangen.
4. Stäng av tvättmaskinen och dra ut nätsladden.
5. Öppna dörren för att låta luft cirkulera genom trumman.

Felsökning

Kontrollpunkter

Om du stöter på ett problem med tvättmaskinen, kontrollera först tabellen nedan och testa förslagen.


Problem	Åtgärd
Startar inte.	<ul style="list-style-type: none">• Kontrollera att tvättmaskinen är inkopplad.• Se till att luckan är ordentligt stängd.• Se till att vattenkranarna är öppna.• Se till att trycka eller knacka Start/Paus (Håll för start) för att starta tvättmaskinen.• Se till att Barnlås  inte är aktiverat.• Innan tvättmaskinen börjar fylla på, kommer den att avge en serie klickande ljud för att kontrollera låset till luckan och gör en snabbdränering.• Kontrollera säkringen eller återställ överspänningskyddet.
Vattenförsörjningen är otillräcklig, eller inget vatten tillförs.	<ul style="list-style-type: none">• Öppna vattenkranen helt.• Se till att luckan är ordentligt stängd.• Kontrollera att vattenslangen inte har frusit.• Se till att vattenslangen inte är vikt eller tilltäppt.• Kontrollera att det finns tillräckligt med vattentryck.
Efter en cykel finns tvättmedel kvar i lådan med tvättmedelsfack.	<ul style="list-style-type: none">• Kontrollera att tvättmaskinen körs med tillräckligt vattentryck.• Se till att tvättmedlet tillsätts i mitten av tvättmedelsfacket.• Se till att locket till sköljmedelsfacket är korrekt isatt.• Om du använder grynigt tvättmedel, se till att väljaren för tvättmedel är i övre läget.• Avlägsna locket för sköljning och rengör lådan med tvättmedelsfack.
Överdrivna vibrationer eller oljud.	<ul style="list-style-type: none">• Kontrollera att tvättmaskinen installeras på ett plant, stabilt golv som inte är halt. Om golvet inte är på jämn nivå, använd nivåfötter för att justera höjden på tvättmaskinen.• Kontrollera att transportbultarna är borttagna.• Kontrollera att tvättmaskinen inte har kontakt med några andra föremål.• Kontrollera att tvätten är balanserad.• Motorn kan orsaka buller under normal drift.• Overaller eller metalldekorerade kläder kan orsaka brus när de tvättas. Detta är normalt.• Metallföremål som mynt kan orsaka buller. Efter tvättning, ta bort dessa föremål från trumman eller filterlocket.

Felsökning

Problem	Åtgärd
Varken tömmer och/eller centrifugerar.	<ul style="list-style-type: none">• Kontrollera att avloppsslangen är rak hela vägen till avloppssystemet. Om du stöter på en dräneringsproblem, ring efter service.• Kontrollera att filtret inte är igentäppt.• Stäng luckan och tryck eller knacka på Start/Paus (Håll för start). För egen säkerhet kommer tvättmaskinen inte att torktumla eller centrifugera om inte luckan är stängd.• Se till att avloppsslangen inte är frusen eller igentäppt.• Kontrollera att avloppsslangen är ansluten till ett avloppssystem som inte är igentäppt.• Om tvättmaskinen inte har tillräckligt med strömförsörjning, kommer tvättmaskinen temporärt inte dränera eller centrifugera. Så snart tvättmaskinen återfår tillräcklig med ström, kommer den att tvätta normalt.
Luckan öppnas inte.	<ul style="list-style-type: none">• Tryck eller knacka på Start/Paus (Håll för start) för att stoppa tvättmaskinen.• Det kan ta en liten stund för luckans låsmekanism att frigöra sig.• Det går inte att öppna luckan förrän 3 minuter efter att maskinen har stannat eller strömmen slagits av.• Se till att vattnet i din trumma är helt avtappat.• Luckan kan inte öppnas om vatten finns kvar i trumman. Töm trumman och öppna luckan manuellt.• Se till lampan till luckans lås är släckt. Lampan till luckans lås släcks efter att tvättmaskinen har tappats på vatten.
Överdrivet såpvatten.	<ul style="list-style-type: none">• Se till att du använder rekommenderat specialtvättmedel.• Använd högeffektivt (HE) tvättmedel för att förhindra alltför mycket löddrande.• Minska mängden av tvättmedel för mjukt vatten, mindre tvättmängd, eller lätt smutsig tvätt.• Icke-HE tvättmedel rekommenderas inte.
Kan inte lägga till ytterligare tvättmedel.	<ul style="list-style-type: none">• Kontrollera den återstående mängd tvättmedel och sköljmedel inte är över gränsen.

Problem	Åtgärd
Driftstopp.	<ul style="list-style-type: none"> • Anslut strömkabeln till ett fungerande eluttag. • Kontrollera säkringen eller återställ överspänningskyddet. • Stäng luckan och tryck eller knacka på Start/Paus (Håll för start) för att starta tvättmaskinen. För egen säkerhet kommer tvättmaskinen inte att torktumla eller centrifugera om inte luckan är stängd. • Innan tvättmaskinen börjar fylla på, kommer den att avge en serie klickande ljud för att kontrollera låset till luckan och gör en snabbdränering. • En paus eller period av blötläggning kan inträffa under testcykeln. Vänta en kort stund och tvättmaskinen startar sedan upp. • Se till att nätfiltret i vattenslangen till vattenkranar inte är tilltäppta. Rengör nätfiltret regelbundet. • Om tvättmaskinen inte har tillräckligt med strömförsörjning, kommer tvättmaskinen temporärt inte dränera eller centrifugera. Så snart tvättmaskinen återfår tillräcklig med ström, kommer den att tvätta normalt.
Fylls på med fel vattentemperatur.	<ul style="list-style-type: none"> • Öppna båda kranarna helt. • Se till att val av temperatur är korrekt. • Se till att slangarna är anslutna till de korrekta kranarna. Spola vattenslangar. • Se till att varmvattenberedaren är inställd på att leverera minst 120 °F (49°C) hett vatten vid kranen. Kontrollera också varmvattenberedarens kapacitet och återvinningsgrad. • Lossa på slangarna och rengör nätfiltret. Nätfiltret kan vara igentäppt. • Medan tvättmaskinen fylls på, kan vattentemperaturen ändras då funktionen för den automatiska temperaturkontrollen kontrollerar inkommande vattentemperatur. Detta är normalt. • Medan tvättmaskinen fylls på, kanske du märker av att bara varmt och/eller kallt vatten går igenom doseraren, när kall eller varm temperaturer väljs. Detta är en normal funktion för automatiska kontroll av temperaturen medan tvättmaskinen bestämmer vattentemperaturen.


Felsökning

Problem	Åtgärd
Tvätten är våt vid slutet av en cykel.	<ul style="list-style-type: none">• Använd hög eller extra hög centrifugeringshastighet.• Använd högeffektivt (HE) tvättmedel för att förhindra alltför mycket löddrande.• Tvättmängden är för liten. Små tvättmängder (ett eller två plagg) kan bli obalanserade och inte centrifugera helt.• Se till att avloppsslangen inte är vikt eller igentäppt.
Läcker vatten.	<ul style="list-style-type: none">• Se till att luckan är ordentligt stängd.• Se till att alla slanganslutningar är täta.• Se till i änden av avloppsslangen är korrekt isatt och säkrad till avloppssystemet.• Undvik överbelastning.• Använd högeffektivt (HE) tvättmedel för att förhindra alltför mycket löddrande.
Har lukter.	<ul style="list-style-type: none">• Allt för mycket såpvatten samlas i fördjupningar och kan orsaka dålig lukt.• Kör rensningscykler för att periodvis sanera.• Rengör luckans tätning (membranet).• Torka tvättmaskinens interiör efter en cykel är avslutad.
Inga bubblor ses (endast Bubbleshot modeller).	<ul style="list-style-type: none">• Överbelastning kan dölja bubblor.• Svårt förorenad tvätt kan inte generera bubblor.
Kan jag öppna Add Door närsomhelst?	<ul style="list-style-type: none">• Add Door kan öppnas endast när  indikatorn visas. Emellertid kan den inte öppnas i följande fall:<ul style="list-style-type: none">- När processen för tvätt med hett vatten eller torkning är igång och den inre temperaturen blir hög.- Om du har angett Barnlås av säkerhetsskäl.- När tvätten i trumman eller torkprogram körs som inte innebär ytterligare tvätt.


Om problemet kvarstår, kontakta ett servicecenter för Samsung.


Informationskoder

Om tvättmaskinen inte fungerar, kan du se en informationskoden på skärmen. Kontrollera tabellen nedan och testa förslagen.

Kod	Åtgärd
4C	<p>Ingen vatten tillförs.</p> <ul style="list-style-type: none">• Se till att vattenkranarna är öppna.• Se till att avloppsslangarna inte är igentäppta.• Kontrollera att vattenkranarna inte är frysta.• Kontrollera att tvättmaskinen körs med tillräckligt vattentryck.• Se till att kallvattenkranen och varmvattenkranen är korrekt anslutna.• Rengör nätfiltret eftersom det kan vara igentäppt. <p> OBS När tvättmaskinens visningsfönster visar koden "4C", tömmer tvättmaskinen vatten i 3 minuter. Under denna tid är strömbrytaren ur funktion.</p>
4C2	<ul style="list-style-type: none">• Se till att kalla vattenslangen är ordentligt ansluten till kallvattenkranen. Om den är ansluten till varmvattenkranen, kan tvätten deformeras med vissa cykler.
5C	<p>Vattnet töms inte.</p> <ul style="list-style-type: none">• Se till att avloppsslangen inte är frusen eller igentäppt.• Se till att avloppsslangen är korrekt positionerad, beroende på typ av anslutning.• Rengör smutsfiltret eftersom det kan vara igentäppt.• Kontrollera att avloppsslangen är rak hela vägen till avloppssystemet.• Om informationskoden fortfarande visas, kontakta kundtjänst.
DC	<p>Köra tvättmaskinen med luckan öppen.</p> <ul style="list-style-type: none">• Se till att luckan är ordentligt stängd.• Se till att tvätten inte fastnar i luckan.
DC1	<p>Låsmekanism till luckan fungerar inte korrekt.</p> <ul style="list-style-type: none">• Stäng av maskinen och starta om cykeln.• Om informationskoden fortfarande visas, kontakta kundtjänst.

Felsökning

Kod	Åtgärd
DC3	Add Door låsmekanism fungerar inte korrekt. <ul style="list-style-type: none">Stäng av maskinen och starta om cykeln.Om informationskoden fortfarande visas, kontakta kundtjänst.
OC	Vatten svämmar över. <ul style="list-style-type: none">Starta om efter centrifugering.Om informationskoden fortsätter att visas på skärmen, kontakta ett lokalt servicecenter för Samsung.
LC, LC1	Kontrollera avloppsslangen. <ul style="list-style-type: none">Se till att slutet på avloppsslangen är placerad på golvet.Se till att avloppsslangen inte är igentäppt.Om informationskoden fortfarande visas, kontakta kundtjänst. <p> OBS När tvättmaskinens visningsfönster visar koden "LC,LC1", tömmer tvättmaskinen vatten i 3 minuter. Under denna tid är strömbrytaren ur funktion.</p>
FC	Kontrollera fläktmotorn. <ul style="list-style-type: none">Stäng av och slå på maskinen efter 2-3 minuter, och försök sedan igen.
UB	Centrifugeringen fungerar inte. <ul style="list-style-type: none">Se till att tvätten sprids ut jämnt.Kontrollera att tvättmaskinen står på en plan, stabil yta.Omfördela tvätten. Om endast ett plagg tvättas, till exempel en badrock eller ett par jeans, kan det sista resultatet av centrifugering vara otillräcklig och meddelandet "UB" kontrollera meddelande att visas i visningsfönstret.
3C	Kontrollera motor för drift. <ul style="list-style-type: none">Försök att starta om cykeln.Om informationskoden fortfarande visas, kontakta kundtjänst.
3CP	Kontrollera pulsatormotorn för drift. <ul style="list-style-type: none">Försök att starta om cykeln.Om informationskoden fortfarande visas, kontakta kundtjänst.

Kod	Åtgärd
UC	<p>Den elektroniska styrningen behöver kontrolleras (Överspänningsfel).</p> <ul style="list-style-type: none"> • Kontrollera PCB och kablaget. • Kontrollera om strömförsörjningen är korrekt. • Om informationskoden fortfarande visas, kontakta kundtjänst.
	<p>Lågspänning upptäckt</p> <ul style="list-style-type: none"> • Kontrollera om strömkabeln är ansluten. • Om informationskoden fortfarande visas, kontakta kundtjänst.
HC	<p>Kontroll av höga temperaturen vid uppvärmning</p> <ul style="list-style-type: none"> • Om informationskoden fortfarande visas, kontakta kundtjänst.
1C	<p>Vattennivåsensorn fungerar inte korrekt.</p> <ul style="list-style-type: none"> • Försök med att slå av strömmen och starta om cykeln. • Kontrollera kablaget till vattennivåsensor. • Om informationskoden fortfarande visas, kontakta kundtjänst. <p> OBS När tvättmaskinens visningsfönster visar koden "1C", tömmer tvättmaskinen vatten i 3 minuter. Under denna tid är strömbrytaren ur funktion.</p>
8C	<p>MEMS sensorn fungerar inte korrekt.</p> <ul style="list-style-type: none"> • Stäng av maskinen och starta om cykeln. • Om informationskoden fortfarande visas, kontakta kundtjänst.
AC	<p>Kontrollera kommunikationen mellan huvud och underordnad PBA.</p> <ul style="list-style-type: none"> • Försök med att slå av strömmen och starta om cykeln. • Om informationskoden fortfarande visas, kontakta kundtjänst.
AC6	<p>Kontrollera kommunikationen mellan huvud och växelriktad PBA.</p> <ul style="list-style-type: none"> • Beroende på tillståndet kan maskinen automatiskt återgå till normal drift. • Stäng av maskinen och starta om cykeln. • Om informationskoden fortfarande visas, kontakta kundtjänst.

Felsökning


Kod	Åtgärd
DDC, ddC	<p>Det här meddelandet visas när du öppnar Add Door utan att trycka på Start/Paus (Håll för start). Om detta inträffar, gör något av följande:</p> <ul style="list-style-type: none">• Tryck på Add Door för att stänga den ordentligt. Håll sedan Start/Paus (Håll för start) nedtryckt och försök igen.• För att fylla på tvätt, öppna den Add Door och sätt i tvätt. Stäng Add Door ordentligt. Tryck och håll Start/Paus (Håll för start) nedtryckt när du ska återuppta driften.

Om någon informationskod fortsätter att visas på skärmen, kontakta en servicecenter för Samsung.

Specifikationer

Materialtabell

Följande symboler erbjuder tvättanvisningar. Tvättetiketterna innehåller fyra symboler i följande ordning: tvätt, blekning, torkning och strykning och kemtvätt vid behov. Användningen av symbolerna är konsekvent bland tillverkarna av hushållstextilier och importerade alternativ. Följ tvättetiketterna för att maximera textiliernas livslängd och minska tvättproblem.

	Impregnerade material		Stryk inte
	Fint tyg		Kan kemtvättas med alla medel
	Plagget kan tvättas i 95 °C		Kemtvätt
	Plagget kan tvättas i 60 °C		Kemtvätta med Perklorid, tändarbränsle, ren alkohol eller R113
	Plagget kan tvättas i 40 °C		Kemtvätta med fotogen, ren alkohol eller R113
	Plagget kan tvättas i 30 °C		Kemtvätta inte
	Endast handtvätt		Plantorka
	Kemtvättas		Kan hängas för torkning
	Kan blekas i kallvatten		Torka på galge
	Blek inte		Torktumla, normal värme
	Kan strykas vid max. 200 °C		Torktumla, låg värme
	Kan strykas vid max. 150 °C		Torktumla inte
	Kan strykas vid max. 100 °C		

Specifikationer

Skydda miljön

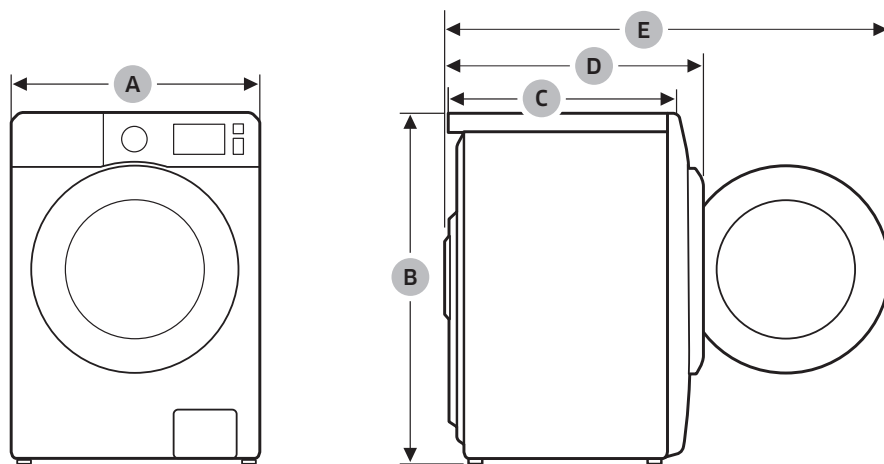
- Den här apparaten är tillverkad av återvinningsbara material. Om du bestämmer dig för att göra dig av med apparaten skall du observera lokala regler för avfall. Skär av nätsladden så att apparaten inte kan kopplas till en strömkälla. Ta bort luckan så att djur och småbarn inte kan fastna inne i apparaten.
- Överdosera inte tvättmedlet, följ tvättmedelstillverkarens instruktioner.
- Använd endast fläckborttagningsmedel före tvättcykeln om det är absolut nödvändigt.
- Spara vatten och el genom att bara köra fulla maskiner (exakt mängd beror på vilket program som används).

Specifikationsblad

Tecknet " * " asterisk betyder variant av modell och kan varieras enligt (0-9) eller (A-Z).

Typ		Frontmatad tvättmaskin	
Modellnamn		WD90N64****	WD80N64****
Mått		B600mm X D600mm X H850mm	
Vattentryck		50-800 kPa	
Nettovikt		81,0 kg	81,0 kg
Tvätt och centrifugkapacitet		9,0 kg	8,0 kg
Torrkapacitet		5,0 kg	5,0 kg
Strömförbrukning	Tvätt och torkning	220 V	2000 W
		240 V	2400 W
	Torkning	220 V	1600 W
		240 V	1900 W
Varvtal centrifug		1400 varv/minut	

Specifikationer



A	600 mm
B	850 mm
C	600 mm
D	680 mm
E	1115 mm

OBS

Utformningen och specifikationer kan ändras utan föregående meddelande i syfte att förbättra kvaliteten.

Lakan med kombinerad tvättmaskin för hushåll

Enligt bestämmelser (EG) nr 96/60/EG

Tecknet " * " asterisk betyder variant av modell och kan varieras enligt (0-9) eller (A-Z).

Samsung		
Modellnamn	WD90N64****	
Klassad energieffektivitet		
A (mest effektiv) till G (minst effektiv)	A	
Energiförbrukning		
Tvätt, centrifugering, och torkning	kWh	6,12
Endast tvätt och centrifugering	kWh	1,17
Tvätteffektivitetsklass		
A (mest effektiv) till G (minst effektiv)	A	
Centrifugeringseffekt klassad		
A (mest effektiv) till G (minst effektiv)	A	
Restfukt	%	44
Maximal centrifugeringshastighet	varv/min	1400
Kapacitet		
Tvätt	kg	9,0
Torkning	kg	5,0
Vattenförbrukning		
Tvätt, centrifugering, och torkning	ℓ	126
Endast tvätt och centrifugering	ℓ	54
Programtid för komplett tvättcykel (60 °C bomullstvätt och 'torr bomull " torkning för klassad tvättkapacitet)		
Tvätt, centrifugering, och torkning	min	689
Endast tvätt och centrifugering	min	254
Program till vilka informationen på etiketten och specifikationerna hänvisar		
	Tvätt	Bomull 60 °C + Intensivtvätt
	Torr	BOMULL TORR
Beräknad förbrukning per år för ett fyrapersonershushåll som alltid torkar tvätt i apparaten (200 gånger)		
Energiförbrukning	kWh/år	1224
Vattenförbrukning	ℓ	25200
Beräknad förbrukning per år för ett fyrapersonershushåll som aldrig torkar tvätt i apparaten (200 gånger)		
Energiförbrukning	kWh/år	234
Vattenförbrukning	ℓ	10800

Specifikationer

Buller med standard 60°C tvättcykel och torkcykel för torr bomull		
Tvätt	dB (A) re 1 pW	49
Centrifugering	dB (A) re 1 pW	73
Torkning	dB (A) re 1 pW	62

Beräkning av energiförbrukningen för torkning har mätts i enlighet med de villkor som anges i Standard EN50229.

- Först torkning ska utföras med 5 kg tvätt (tvätten består av: 2 lakan och 6 örngott och 18 handdukar) genom att välja BOMULL TORR + Centrifug;
- Andra torkning ska utföras med 4 kg tvätt (tvätten består av: 2 lakan och 8 örngott och 5 handdukar) genom att välja BOMULL TORR + Centrifug;
(1 eller 2 handdukar kan läggas till eller tas bort för att ställa in vikten.)

Lakan med kombinerad tvättmaskin för hushåll

Enligt bestämmelser (EG) nr 96/60/EG

Tecknet " * " asterisk betyder variant av modell och kan varieras enligt (0-9) eller (A-Z).

Samsung		
Modellnamn	WD80N64****	
Klassad energieffektivitet		
A (mest effektiv) till G (minst effektiv)	A	
Energiförbrukning		
Tvätt, centrifugering, och torkning	kWh	5,44
Endast tvätt och centrifugering	kWh	1,04
Tvätteffektivitetsklass		
A (mest effektiv) till G (minst effektiv)	A	
Centrifugeringseffekt klassad		
A (mest effektiv) till G (minst effektiv)	A	
Restfukt	%	44
Maximal centrifugeringshastighet	varv/min	1400
Kapacitet		
Tvätt	kg	8,0
Torkning	kg	5,0
Vattenförbrukning		
Tvätt, centrifugering, och torkning	ℓ	112
Endast tvätt och centrifugering	ℓ	48
Programtid för komplett tvättcykel (60 °C bomullstvätt och 'torr bomull " torkning för klassad tvättkapacitet)		
Tvätt, centrifugering, och torkning	min	664
Endast tvätt och centrifugering	min	254
Program till vilka informationen på etiketten och specifikationerna hänvisar	Tvätt	Bomull 60 °C + Intensivtvätt
	Torr	BOMULL TORR
Beräknad förbrukning per år för ett fyrapersonershushåll som alltid torkar tvätt i apparaten (200 gånger)		
Energiförbrukning	kWh/år	1088
Vattenförbrukning	ℓ	22400
Beräknad förbrukning per år för ett fyrapersonershushåll som aldrig torkar tvätt i apparaten (200 gånger)		

Specifikationer

Energiförbrukning	kWh/år	208
Vattenförbrukning	ℓ	9600
Buller med standard 60°C tvättcykel och torkcykel för torr bomull		
Tvätt	dB (A) re 1 pW	49
Centrifugering	dB (A) re 1 pW	73
Torkning	dB (A) re 1 pW	62

Beräkning av energiförbrukningen för torkning har mätts i enlighet med de villkor som anges i Standard EN50229.

- Först torkning ska utföras med 5 kg tvätt (tvätten består av: 2 lakan och 6 örngott och 18 handdukar) genom att välja BOMULL TORR + Centrifug;
- Andra torkning ska utföras med 3 kg tvätt (tvätten består av: 1 lakan och 6 örngott och 7 handdukar) genom att välja BOMULL TORR + Centrifug;
(1 eller 2 handdukar kan läggas till eller tas bort för att ställa in vikten.)



FRÅGOR ELLER KOMMENTARER?

LAND	RING	ELLER BESÖK OSS PÅ WEBBEN
NORWAY	815 56480	www.samsung.com/no/support
DENMARK	70 70 19 70	www.samsung.com/dk/support
FINLAND	030-6227 515	www.samsung.com/fi/support
SWEDEN	0771 726 786	www.samsung.com/se/support



DC68-03924J-00



Pesukoneen

käyttöopas

WD90N6**** / WD80N6****

SAMSUNG



Sisällysluettelo

Turvallisuustiedot	4
Mitä sinun tulee tietää turvallisuusohjeista	4
Tärkeitä turvamerkintöjä	4
Tärkeitä varotoimenpiteitä	5
WEEE-direktiiviin liittyviä ohjeita	15
Asennus	16
Pakkauksen sisältö	16
Asennusvaatimukset	18
Asennus vaihe vaiheelta	20
Ennen aloittamista	28
Alkuasetukset	28
Pyykkiohjeet	28
Pesuainelaatikon ohjeet	31
Toiminnot	34
Käyttöpaneeli	34
Yksinkertaiset aloitusohjeet	36
Pesuohjelman yleiskatsaus	38
Erikoisominaisuudet	42
Asetukset	44
SmartThings	45



Kunnossapito	50
<hr/>	
Eco drum clean 	50
Smart Check 	51
Kuivausohjelman käyttäminen	52
Hätäyhjennys	53
Puhdistus	54
Verkkosuodatin	55
Toimenpiteet jäätymisen jälkeen	58
Hoito pitkien käyttötaukojen aikana	58
Vianetsintä	59
<hr/>	
Tarkistuskohteet	59
Näyttökoodit	63
Tekniset tiedot	67
<hr/>	
Materiaalien pesu- ja hoito-ohjeet	67
Ympäristönsuojelu	68
Tekniset tiedot	69



Turvallisuuustiedot

Onnittelut uuden Samsung-pesukoneen hankkimisesta. Näissä käyttöohjeissa on tärkeää tietoa laitteen asennuksesta, käytöstä ja huollosta. Lue tämä opas huolellisesti, jotta voisit hyödyntää kaikkia pesukoneen etuja ja ominaisuuksia.

Mitä sinun tulee tietää turvallisuusohjeista

Lue tämä käyttöopas kokonaan, jotta voisit turvallisesti ja tehokkaasti käyttää uuden laitteesi ominaisuuksia ja toimintoja. Säilytä tämä käyttöopas laitteen lähellä, jotta voit myöhemmin tarvittaessa tutustua siihen. Käytä tätä laitetta vain sen käyttötarkoituksen mukaisesti näiden ohjeiden kuvauksen mukaisesti.

Näiden käyttöohjeiden varoitukset ja tärkeät turvallisuusohjeet eivät kata kaikkia mahdollisia olosuhteita ja tilanteita. Käyttäjän vastuulla on soveltaa tervettä järkeä, varovaisuutta ja huolellisuutta asentaessaan, ylläpitäessään ja käyttäessään pesukonetta. Koska oheiset ohjeet koskevat useita eri malleja, oman pesukoneesi ominaisuudet saattavat olla jonkin verran erilaiset kuin tässä oppaassa kuvatut, eivätkä kaikki varoitukset välttämättä koske sinun laitettasi. Jos sinulla on jotakin kysyttävää, ota yhteyttä lähimpään huoltopalveluun tai etsi ohjeita ja muita tietoja osoitteesta www.samsung.com.

Tärkeitä turvamerkintöjä

Mitä näiden käyttöohjeiden kuvakkeet ja merkit tarkoittavat:

VAROITUS

Vaara tai vaarallinen käyttö, joka voi aiheuttaa vakavia henkilökohtaisia tapaturmia, jopa kuoleman ja/tai aineellisia vahinkoja.

HUOMIO

Vaara tai vaarallinen käyttö, joka voi aiheuttaa henkilökohtaisia tapaturmia ja/tai aineellisia vahinkoja.

HUOMAUTUS

Ilmaisee henkilövahingon tai omaisuusvahingon vaaraa.

Lue ohjeet



Nämä varoitusmerkit auttavat estämään sinua ja muita loukkaantumasta.
Noudata niitä huolellisesti.
Kun olet lukenut tämän käyttöoppaan, pidä se tallessa tulevaa käyttöä varten.

Lue kaikki ohjeet ennen laitteen käyttöä.

Kaikkiin laitteisiin, jotka toimivat sähköllä ja joissa on liikkuvia osia, liittyy onnettomuusriski. Jotta laitteen käyttö olisi turvallista, tutustu sen toimintaan ja käytä sitä varoen.

Tärkeitä varotoimenpiteitä

VAROITUS

Voit vähentää tulipalon, sähköiskun ja henkilövahinkojen riskiä laitetta käytettäessä noudattamalla yleisiä turvatoimia, kuten näitä:

- 1.** Tämä laite ei ole tarkoitettu lasten tai muiden sellaisten henkilöiden käytettäväksi, joiden fyysiset tai henkiset ominaisuudet, aistirajoitukset tai kokemuksen ja tiedon puute estävät heitä käyttämästä laitetta turvallisesti, ellei heidän turvallisuudestaan vastaava henkilö valvo heitä tai ole opastanut heille laitteen käyttöä.
- 2. Käyttö Euroopassa:** Tämä laite soveltuu myös 8-vuotiaiden ja sitä vanhempien lasten käytettäväksi sekä sellaisten henkilöiden käytettäväksi, joilla on fyysisiä tai henkisiä rajoitteita tai kokemuksen ja tiedon puutteita, jos heitä valvotaan tai opastetaan laitteen turvallisessa käytössä ja jos he ymmärtävät käyttöön liittyvät riskit. Lapset eivät saa leikkiä laitteella. Lapset eivät saa puhdistaa laitetta tai suorittaa käyttäjälle sallittuja huoltotöitä ilman valvontaa.
- 3.** Lapsia tulee valvoa, etteivät he leiki laitteella.
- 4.** Jos sähköjohto on vaurioitunut, se tulee vaihdattaa valmistajalla, valtuutetussa huoltoliikkeessä tai ammattitaitoisella teknikolla, jotta välttyttäisiin vaurioilta ja vahingoilta.

Turvallisuustiedot

5. Käytä laitteen mukana toimitettuja uusia letkuja. Vanhoja letkuja ei saa käyttää uudelleen.
6. Varmista, ettei matto peitä laitteen pohjassa olevia tuuletusaukkoja (malleissa, joissa tuuletusaukot ovat laitteen pohjassa).
7. **Käyttö Euroopassa:** Alle 3-vuotiaat lapset on pidettävä etäällä, ellei heitä jatkuvasti valvota.
8. **HUOMIO:**Jotta vältetään tahattomalta lämpökatkaisun nollaukselta, laitetta ei saa asentaa käyttämään ulkoista kytkinlaitetta, kuten ajastinta, tai kytkeä sellaiseen sähköpiiriin, jossa tapahtuu säännöllisiä katkoksia.
9. Älä kuivaa kuivausrummussa kohteita, jotka on puhdistettu teollisilla kemikaaleilla.
10. Puhdista nukkasieppi säännöllisesti, mikäli tarpeen.
11. Älä päästä nukkaa kerääntymään kuivausrummun ympärille. (ei sovelleta laitteille, joiden ilmanvaihto on suunnattu rakennuksen ulkopuolelle)
12. Riittävä tuuletus vaaditaan, jotta estetään kaasujen kertyminen huoneeseen laitteista, joissa käytetään muun tyyppisiä polttoaineita, mukaan lukien avotuli.
13. Älä kuivaa kuivausrummussa pesemättömiä vaatteita.
14. Tekstiilit, jotka ovat tahriintuneet ruokaöljystä, asetonista, alkoholista, bensiinistä, paloöljystä, tahrannoista, tärpätistä, vahasta ja vahanpoistoaineista, on pestävä kuumassa vedessä runsaan pesuainemäärän kanssa ennen kuin ne voi kuivata kuivausrummussa.
15. Kohteita, kuten vaahtokumi (lateksikumi), suihkumyssyt, vedenpitävät tekstiilit, kumivahvisteiset materiaalit ja vaatteet tai tyynyt, joissa on vaahtokumipehmustus ei saa kuivata kuivausrummussa.

-
16. Pehmennysaineita tai vastaavia tuotteita tulee käyttää pehmennysaineiden ohjeiden mukaisesti.
 17. Kuivausjakson viimeinen vaihe (jäähdytysjakso) tapahtuu ilman lämmitystä, jotta varmistetaan pyykin pysyminen lämpötilassa, jossa ne eivät vahingoitu.
 18. Poista taskuista kaikki esineet, kuten sytyttimet ja tulitikut.
 19. **VAROITUS:** Älä sammuta kuivausrumpua ennen jakson päättymistä, jollet poista nopeasti koko pyykkiä kuivausrummusta levittääksesi ne ja antaaksesi lämmön haihtua.
 20. Poistoilmaa ei saa liittää hormeihin, joita käytetään kaasua tai muita polttoaineita käyttävien laitteiden poistokaasuille.
 21. Älä asenna tuotetta lukittavan oven tai liukuoven taakse tai sellaisen oven taakse, jonka saranat ovat kuivausrummun saranoiden vastakkaisella puolella siten, että ne rajoittavat kuivausrummun luukun avaamista.
 22. **VAROITUS:** Laitetta ei saa asentaa ulkoisen kytkinlaitteen, kuten ajastimen, kautta tai kytkeä sellaiseen sähköpiiriin, jossa tapahtuu säännöllisiä katkoksia.



Turvallisuustiedot

Tärkeitä asennuksen liittyviä varoituksia

VAROITUS

Tämän laitteen asennuksen saa tehdä vain pätevä asentaja tai huoltoliike.

- Muutoin seurauksena voi olla sähköisku, tulipalo, räjähdys, laitevika tai henkilövahinkoja.

Laite on painava, joten ole varovainen, kun nostat sitä.

Liitä virtajohto 220–240 V:n / 50 Hz:n tai tehokkaampaan pistorasiaan ja liitä kyseiseen pistorasiaan vain tämä laite. Älä koskaan käytä jatkojohtoa.

- Jos pistorasiaan liitetään muita laitteita, jatkopistorasian tai jatkojohdon käyttö voi johtaa sähköiskuun tai tulipaloon.
- Varmista, että virtalähteen jännite, taajuus ja virta vastaavat laitteen ominaisuuksia. Ohjeen laiminlyönnin seurauksena voi olla sähköisku tai tulipalo. Liitä pistoke pistorasiaan tiukasti.

Poista kaikki vieraat aineet kuten pöly tai vesi pistorasioista ja kontaktipinnoilta säännöllisesti kuivaa liinaa käyttämällä.

- Irrota pistoke ja puhdista se kuivalla liinalla.
- Ohjeen laiminlyönnin seurauksena voi olla sähköisku tai tulipalo.
- Kytke pistoke pistorasiaan niin, että johto lähtee lattiaa kohti. Jos kytket pistokkeen pistorasiaan päinvastaisessa suunnassa, johdon sisällä olevat johtimet saattavat vaurioitua ja seurauksena voi olla sähköisku tai tulipalo.

Pidä kaikki pakkausmateriaalit poissa lasten ulottuvilta. Pakkausmateriaali voi olla lapsille vaaraksi.

- Jos pussi joutuu lapsen päähän, lapsi voi tukehtua. Jos laite, sen pistoke tai virtajohto on vaurioitunut, ota yhteyttä lähimpään huoltopalveluun.

Tämä laite on maadoitettava asianmukaisesti.

Älä maadoita laitetta kaasuputkeen, muoviseen vesiputkeen tai puhelinlinjaan.

- Tämä voi aiheuttaa sähköiskun, tulipalon, räjähdysten tai laitevikoja.
- Älä milloinkaan kytke virtajohtoa väärin maadoitettuun pistorasiaan, ja varmista, että pistorasia on paikallisten ja kansallisten määräyksen mukainen.

Älä asenna laitetta lämmityslaitteen tai syttyvän materiaalin lähelle.

Älä asenna laitetta kosteaan, öljyiseen tai likaiseen paikkaan tai suoralle auringonvalolle tai vedelle (sadepisarat) alttiiseen paikkaan.

Älä asenna laitetta paikkaan, jossa se altistuu alhaisille lämpötiloille.

- Pakkanen saattaa halkaista laitteen putket.



Älä asenna tätä laitetta paikkaan, jossa on kaasuvuodon vaara.

- Vaarana on sähköisku tai tulipalo.

Älä käytä sähkömuuntajaa.

- Vaarana on sähköisku tai tulipalo.

Älä käytä vaurioitunutta virtajohtoa tai löysää tai vaurioitunutta pistoketta.

- Vaarana on sähköisku tai tulipalo.

Älä kisko tai taivuta sähköjohtoa liiallisesti.

Älä kierrä tai solmi sähköjohtoa.

Älä kytke sähköjohtoa metalliesineen ylle, laita painavia esineitä sen päälle, laita sitä esineiden väliin, tai työnnä sitä laitteen takana olevaan tilaan.

- Vaarana on sähköisku tai tulipalo.

Älä vedä virtajohdosta, kun irrotat pistoketta pistorasiasta.

- Pidä kiinni pistokkeesta, kun irrotat sen pistorasiasta.
- Ohjeen laiminlyönnin seurauksena voi olla sähköisku tai tulipalo.

Laite on asetettava niin, että verkkojohdon pistokkeeseen, vesihanaan ja poistoletkuun pääsee helposti käsiksi.



Turvallisuustiedot

Asennukseen liittyviä muistutuksia

HUOMIO

Laite tulee laittaa sellaiseen asentoon, että pistorasia on käden ulottuvilla.

- Jos et toimi näin, seurauksena voi olla sähköisku tai tulipalo.

Asenna laite vaakasuoraan sellaiselle tukevalle lattialle, joka kestää laitteen painon.

- Jos et toimi näin, laite saattaa täristä, liikkua, pitää ylimääräistä ääntä tai se ei välttämättä toimi oikein.

Tärkeitä käyttöön liittyviä varoituksia

VAROITUS

Jos laitteesta tulvii vettä, katkaise veden- ja virransyöttö välittömästi ja ota yhteyttä lähimpään huoltopalveluun.

- Älä kosketele virtapistoketta märin käsin.
- Jos et toimi näin, seurauksena voi olla sähköisku.

Jos laitteesta kuuluu outoa ääntä tai savua tai se haisee palaneelle, ota virtajohto välittömästi irti pistorasiasta ja ota yhteyttä lähimpään huoltopalveluun.

- Ohjeen laiminlyönnin seurauksena voi olla sähköisku tai tulipalo.

Kaasuvuodon sattuessa (esim. propaanikaasu, nestekaasu, jne.), tuuleta välittömästi koskematta virtapistokkeeseen. Älä kosketa laitetta tai sähköjohtoa. Älä kosketele laitetta tai sähköjohtoa.

- Älä käytä tuuletinta.
- Kipinä voi aiheuttaa räjähdyksen tai tulipalon.

Älä anna lasten leikkiä pesukoneen sisällä tai päällä. Kun hävität laitteen, poista sen luukun vipu.

- Jos lapsi jää tuotteen sisälle, hän voi tukehtua kuoliaaksi.

Poista ennen pesukoneen käyttöä kaikki sen pohjassa olevat pakkausmateriaalit (pehmusteet ja styroksi).

Älä pese koneessa sellaisia vaatteita, joissa on bensiiniä, kerosiinia, bensiiniä, maaliohennetta, alkoholia tai muita herkästi syttyviä tai räjähtäviä aineita.

- Vaarana on sähköisku, tulipalo tai räjähdys.



Älä avaa pesukoneen luukkua väkisin, kun laite on käynnissä (pesu korkeissa lämpötiloissa, kuivaus tai linkous).

- Pesukoneesta ulos tulviva vesi voi aiheuttaa palovammoja tai tehdä lattiasta liukkaan. Seurauksena voi olla tapaturmia.
- Luukun avaaminen väkisin voi vaurioittaa laitetta tai aiheuttaa henkilövahinkoja.

Älä laita käsiäsi pesukoneen alle sen ollessa käytössä.

- Seurauksena voi olla tapaturmia.

Älä koskettele virtapistoketta märin käsin.

- Seurauksena voi olla sähköisku.

Älä katkaise laitteen virtaa irrottamalla virtapistoke pistorasiasta koneen ollessa käynnissä.

- Jos tämän jälkeen kytket pistokkeen uudelleen pistorasiaan, tämä voi aiheuttaa kipinöitä ja sähköiskun tai tulipalon.

Älä anna lasten tai muiden huoltajaa tarvitsevien henkilöiden käyttää pesukonetta ilman asianmukaista valvontaa. Älä anna lasten kiipeillä laitteessa.

- Vaarana on sähköisku, palovamma tai henkilövahinko.

Älä laita käsiäsi äläkä mitään metalliesineitä pesukoneen alle sen ollessa käytössä.

- Seurauksena voi olla tapaturmia.

Älä irrota laitetta pistorasiasta vetämällä virtajohdosta. Ota aina pistokkeesta tiukasti kiinni ja vedä se suoraan irti pistorasiasta.

- Jos virtajohto vaurioituu, seurauksena voi olla oikosulku, tulipalo ja/tai sähköisku.

Älä yritä itse korjata laitetta, purkaa sitä osiin tai muunnella laitetta.

- Älä käytä standardisulakkeista poikkeavia sulakkeita (esim. kupari, teräslanka jne.).
- Jos laite tarvitsee huoltoa tai uudelleenasetuksen, ota yhteyttä lähimpään huoltopalveluun.
- Muutoin seurauksena voi olla sähköisku, tulipalo, laitevika tai henkilövahinkoja.

Jos tuloovesiletkun kiinnitys vesihanaan löystyy ja laitteeseen tulvii vettä, irrota pistoke pistorasiasta.

- Ohjeen laiminlyönnin seurauksena voi olla sähköisku tai tulipalo.

Irrota pistoke pistorasiasta ukkosmyrskyjen aikana tai jos et käytä laitetta pitkään aikaan.

- Ohjeen laiminlyönnin seurauksena voi olla sähköisku tai tulipalo.

Jos laitteeseen joutuu jokin vieras esine, irrota virtajohto pistorasiasta ja ota yhteyttä lähimpään Samsunghuoltoon.

- Vaarana on sähköisku tai tulipalo.

Älä anna lasten (tai lemmikkieläinten) leikkiä pesukoneen päällä tai sen sisällä. Pesukoneen luukku ei avaudu sisäpuolelta helposti ja lapsi saattaa loukkaantua vakavasti, jos hän jää loukkuun koneen sisälle.



Turvallisuustiedot

Käyttöön liittyviä muistutuksia

HUOMIO

Jos pesukone on likaantunut esim. pesuaineen, ruoantähteiden tai muun lian vuoksi, irrota pistoke pistorasiasta ja puhdista pesukone kostealla ja pehmeällä liinalla.

- Jos et toimi näin, laitteeseen voi syntyä väri- tai muotovirheitä tai ruostetta tai se saattaa vaurioitua muulla tavoin.

Voimakas isku saattaa rikkoa etulasin. Käytä pesukonetta varoen.

- Jos lasi menee rikki, seurauksena voi olla henkilövahinkoja.

Jos vedensyötössä on vikaa tai jos kiinnität tulovesiletkun uudelleen, avaa hana varovasti.

Avaa hana varovasti, jos laitetta ei ole käytetty pitkään aikaan.

- Tulovesiletkun tai vesiputken ilmanpaine voi vaurioittaa laitteen osia tai aiheuttaa vuodon.

Jos veden tyhjennys ei toimi kunnolla laitteen käytön aikana, varmista, ettei viemäroinnissä ole vikaa.

- Jos pesukoneeseen tulvii viemärvian vuoksi vettä sen käytön aikana, seurauksena voi olla sähkövuodon aiheuttama sähköisku tai tulipalo.

Työnnä pyykki kokonaan pesukoneen sisälle, jotteivät ne tarttuisi luukkuun.

- Jos luukkuun tarttuu vaatteita, vaate tai pesukone voivat vaurioitua tai laitteesta voi vuotaa vettä.

Sulje pesukoneelle johtava vesihana, kun pesukonetta ei käytetä.

Varmista, että tulovesiletkun liittimen ruuvit on kiinnitetty kunnolla.

- Jos näin ei ole, seurauksena voi olla laite- tai henkilövahinkoja.

Varmista, että kumitiivisteeseen ja etuluukun lasiin ei pääse mitään niihin kuulumattomia aineita (esim. likaa, langanpätkiä, hiuksia yms.).

- Jos luukkuun tarttuu jotakin siihen kuulumatonta ainetta tai jos ovea ei suljeta kokonaan, laite voi vuotaa.

Ennen kuin käytät laitetta, avaa vesihana ja varmista, että tulovesiletkun liitin on kiinnitetty kunnolla ja ettei vuotoja esiinny.

- Jos tulovesiletkun liittimen ruuvit ovat löysällä, laite saattaa vuotaa.

Ostamasi tuote on tarkoitettu vain kotitalouskäyttöön.

Tuotteen käyttö kaupallisiin tarkoituksiin tulkitaan tuotteen väärinkäytöksi. Tässä tapauksessa tuotteella ei ole Samsungin normaalitakuuta, eikä Samsung vastaa tällaisen väärinkäytön aiheuttamasta virheellisestä toiminnasta tai vahingoista.



Älä seiso laitteen päällä äläkä aseta sen päälle esineitä (esim. pyykkiä, sytytettyjä kynttilöitä tai savukkeita, astioita, kemikaaleja, metalliesineitä jne.).

- Muutoin seurauksena voi olla sähköisku, tulipalo, laitevika tai henkilövahinkoja.

Älä suihkuta räjähdysherkkiä aineita, kuten hyönteismyrkkyä, laitteen pinnoille.

- Paitsi että tällaiset aineet ovat vaarallisia ihmisille, ne voivat myös aiheuttaa sähköiskun, tulipalon tai laitevikoja.

Älä aseta pesukoneen lähetyville mitään sellaisia laitteita, jotka voivat muodostaa sähkömagneettisen kentän.

- Tämä voi johtaa toimintahäiriöihin ja henkilövahinkoihin.

Laitteesta kuumavesipesun ja kuivausohjelman aikana tuleva vesi on kuumaa. Älä koske veteen.

- Tämä voi johtaa palovammoihin tai henkilövahinkoihin.

Älä pese, linkoa äläkä kuivaa vedenpitäviä istuinsuojia, mattoja tai vaatteita (*), jos laitteessa ei ole erityistä ohjelmaa tällaisten materiaalien pesemiseen.

(*): Villaiset vuodevaatteet, sadetakit, kalastusliivit, hiihtohousut, makuupussi, kuorivaipat, verryttelypuvut ja polkupyörien, moottoripyörien ja autojen peitteet yms.

- Älä pese paksuja ja jäykkiä mattoja, vaikka niiden pesumerkkiin olisikin merkitty konepesu. Tämä voi johtaa henkilövahinkoihin tai vaatteet, pesukone, sen lähellä olevat seinät tai lattia voivat vaurioitua, sillä kone saattaa tärinästä tavallista voimakkaammin.
- Älä pese sellaisia räsy- tai ovimattoja, joiden tausta on kumia. Kuminen tausta saattaa irrota ja tarttua rummun sisäpintaan, ja tämä voi aiheuttaa toimintahäiriöitä, esimerkiksi virheitä vedenpoistossa.

Älä käytä pesukonetta, jos pesuainelokero ei ole paikoillaan.

- Tämä voi aiheuttaa vuotoja, joista voi seurata sähköisku tai henkilövahinkoja.

Älä kosketa pesurumpua kuivauksen aikana tai välittömästi sen jälkeen, sillä se on kuuma.

- Tämä voi aiheuttaa palovammoja.

Älä laita kättäsi pesuainelokeroon.

- Tämä voi aiheuttaa henkilövahinkoja, sillä käsi voi jäädä kiinni pesuaineen syöttölaitteeseen.
- Nestemäisen pesuaineen ohjain (vain tietyt mallit) ei ole käytössä jauhemaiselle pesuaineelle. Poista ohjain, jos käytät jauhemaista pesuainetta.

Älä päästä pesukoneeseen mitään muuta kuin pyykkiä (esim. kenkiä, ruoantähteitä tai lemmikkejä).

- Kone saattaa tärinästä tavallista voimakkaammin ja tästä voi aiheutua laitevaurioita tai henkilövahinkoja tai koneeseen päässyt lemmikki saattaa kuolla.



Turvallisuuustiedot

Älä paina painikkeita terävillä esineillä kuten neuloilla, veitsillä, kynsillä, jne.

- Vaarana on sähköisku tai henkilövahinko.

Älä pese pyykkiä, jossa on ihonhoito- tai hierontaöljyjen, -voiteiden tai -emulsioiden aiheuttamaa likaa.

- Tämä voi aiheuttaa epämuodostumia kumitiivisteeseen ja sitä kautta vuotoja.

Huolehdi, ettei pesurumpuun jää pitkäksi aikaa valkaisuainetta tai metalliesineitä, esim. hakaneuloja tai hiuspinnejä.

- Muutoin pesurumpu voi ruostua.
- Jos ruostetta alkaa esiintyä rummun pinnassa, käytä (neutraalia) puhdistusainetta ja puhdista pinta pesusienellä. Älä käytä metalliharjoja.

Älä käytä kuivapesuaineita, äläkä pese, huuhtelee tai linkoa pyykkiä, jossa on kuivapesuaineita.

- Tämä voi johtaa itsesyttymiseen tai syttymiseen öljyn hapettumisprosessin kuumuudesta johtuen.

Älä käytä jäähdytys- tai lämmityslaitteista peräisin olevaa vettä.

- Tämä voi vaurioittaa pesukonetta.

Älä käytä käsienpesuun tarkoitettua saippuaa pesuaineena.

- Jos saippuaa pääsee kertymään ja kovettumaan pesukoneen sisälle, se voi aiheuttaa laitevikoja, värivirheitä, ruostetta tai pahaa hajua.

Laita sukat ja rintaliivit pesupussiin ja pese ne yhdessä muun pyykin mukana.

Älä pese suuria kappaleita, kuten vuodevaatteita, pesupussissa.

- Jos et toimi näin, laite saattaa täristä tavallista voimakkaammin ja aiheuttaa henkilövahinkoja.

Älä käytä kovettunutta pesuainetta.

- Jos kuivunutta pesuainetta kone pesukoneen sisälle, kertyy saattaa vuotaa.

Tarkista, että pestävien vaatteiden taskut ovat tyhjät.

- Kovat ja terävät esineet kuten kolikot, hakaneulat, naulat, ruuvit tai kivet voivat vaurioittaa laitetta pahoin.

Älä pese sellaisia vaatteita, joissa on suuret soljet, napit tai muuta kovaa metallia.

Lajittele pyykki värin ja värinpitävyyden mukaan ja valitse suositeltu ohjelma, lämpötila ja lisätoiminnot.

- Muutoin pyykki voi haalistua tai vaurioitua.

Varmista, että lasten sormet eivät jää luukun väliin, kun suljet luukun.

- Muutoin seurauksena voi olla henkilövahinkoja.



Tärkeitä puhdistukseen liittyviä varoituksia

VAROITUS

Älä puhdista laitetta suihkuttamalla vettä suoraan siihen.

Älä käytä vahvasti hapanta puhdistusainetta.

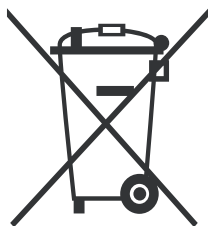
Älä käytä bentseeniä, ohenteita tai alkoholia laitteen puhdistamiseen.

- Tällaiset aineet voivat aiheuttaa värinmuutoksia, epämuodostumia, laitevaurioita tai sähköiskun tai tulipalon.

Irrota laitteen virtapistoke pistorasiasta ennen puhdistamista tai huoltotöitä.

- Ohjeen laiminlyönnin seurauksena voi olla sähköisku tai tulipalo.

WEEE-direktiiviin liittyviä ohjeita



Tuotteen turvallinen hävittäminen (elektroniikka ja sähkölaitteet)

(Jätteiden lajittelua käyttävät maat)

Oheinen merkintä tuotteessa, lisävarusteissa tai käyttöohjeessa merkitsee, että tuotetta tai lisävarusteina toimitettavia sähkölaitteita (esim. laturia, kuulokkeita tai USB kaapelia) ei saa hävittää kotitalousjätteen mukana niiden käyttöiän päätyttyä. Virheellisestä jätteenkäsittelystä ympäristölle ja terveydelle aiheutuvien haittojen välttämiseksi tuote ja lisävarusteet on eroteltava muusta jätteestä ja kierrätettävä kestävän kehityksen mukaista uusiokäyttöä varten.

Kotikäyttäjät saavat lisätietoja tuotteen ja lisävarusteiden turvallisesta kierrätyksestä ottamalla yhteyttä tuotteen myyneeseen jälleenmyyjään tai paikalliseen ympäristöviranomaiseen.

Yrityskäyttäjien tulee ottaa yhteyttä tavarantoimittajaan ja selvittää hankintasopimuksen ehdot. Tuotetta tai sen lisävarusteita ei saa hävittää muun kaupallisen jätteen seassa.

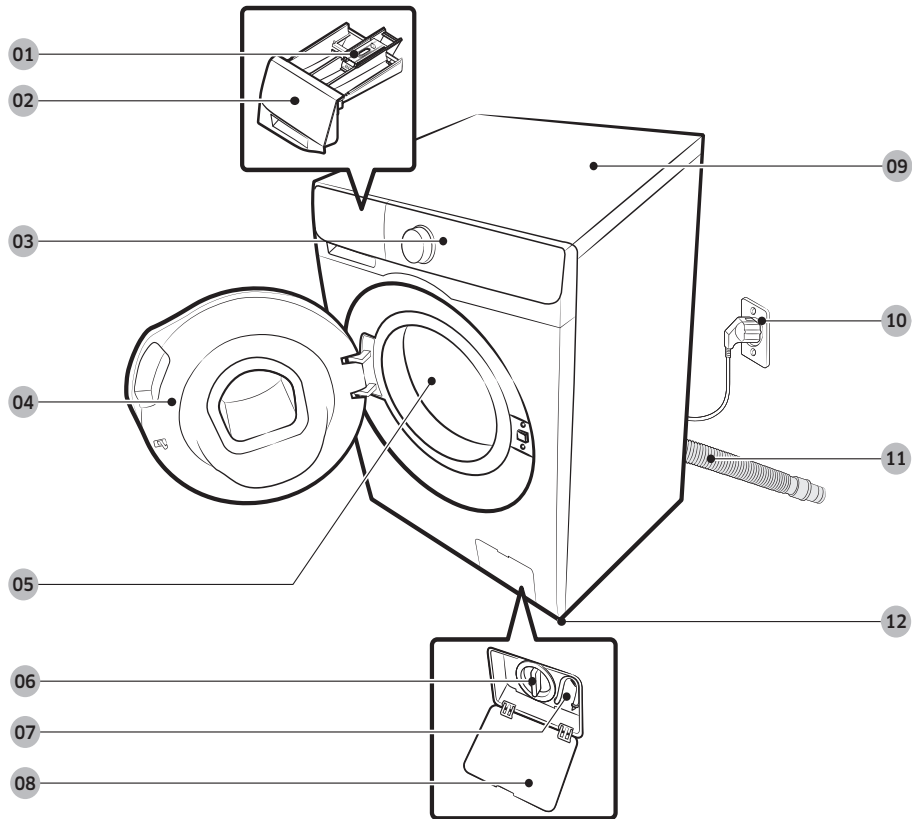
Lisätietoja Samsungin ympäristösitoumuksista ja tuotekohtaisista lainsäädännöllisistä velvollisuuksista (esim. REACH), löydät osoitteesta [samsung.com/uk/aboutsamsung/samsungelectronics/corporatecitizenship/data_corner.html](https://www.samsung.com/uk/aboutsamsung/samsungelectronics/corporatecitizenship/data_corner.html)

Asennus

Noudata näitä ohjeita huolellisesti, jotta varmistat pesukoneen asianmukaisen asennuksen ja estät vahingot pyykinpesun aikana.

Pakkauksen sisältö

Varmista, että tuotepakkauksessa on kaikki osat. Jos sinulla on jotain kysyttävää pesukoneesta tai sen osista, ota yhteys Samsungin paikalliseen asiakaspalveluun tai jälleenmyyjään.



01 Vapautusvipu

02 Pesuainelokero

03 Käyttöpaneeli

04 Luukku

05 Rumpu

06 Pumpun sihti

07 Tyhjennysputki
häätätilanteissa

08 Sihdin suojus

09 Työtaso

10 Virtapistoke

11 Poistoletku

12 Säätöjalat



Mutteriavain



Pulttitulpat



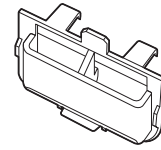
Letkun ohjain



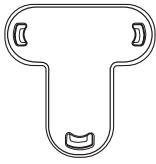
Kylmän veden syöttöletku



Kuuman veden syöttöletku



Nestemäisen pesuaineen
astia



Suojakorkki

HUOMAUTUS

- Pulttitulpat : Mukana tulevien pulttitulppien määrä (3-6) riippuu mallista.
- Kuuman veden syöttöletku: vain malleissa, joihin se kuuluu.
- Nestemäisen pesuaineen astia: vain malleissa, joihin se kuuluu.

Asennus

Asennusvaatimukset

Sähkönsyöttö ja maadoitus

- AC 220–240 V / 50 Hz, sulake tai johdonsuojakatkaisin tarvitaan
- Käytä pyykinpesukoneelle erillistä virtapiiriä

Asianmukaisen maadoituksen varmistamiseksi pyykinpesukoneen mukana toimitetaan virtajohto, jossa on kolmipiikkinen maadoituspistoke. Se on kytkettävä asianmukaisesti asennettuun ja maadoitettuun pistorasiaan.

Jos et ole varma maadoituksesta, ota yhteys pätevään sähkö- tai huoltoasentajaan.

Älä muuta mukana toimitettua pistoketta. Jos se ei sovi pistorasiaan, ota yhteys pätevään sähköasentajaan ja asennuta asianmukainen pistorasia.

VAROITUS

- ÄLÄ käytä jatkojohtoa.
- Käytä vain pyykinpesukoneen mukana toimitettua virtajohtoa.
- ÄLÄ kytke maadoitusjohdinta muoviputkiin, kaasuletkuihin tai kuumavesiputkiin.
- Väärin kytketyt maadoitusjohtimet voivat aiheuttaa sähköiskun.

Vesiliitäntä

Tämän pyykinpesukoneen oikea vedenpaine on 50–800 kPa. Alle 50 kPa:n vedenpaine voi aiheuttaa sen, että vesiventtiili ei sulkeudu kokonaan. Rummun täyttyminen voi myös kestää kauemmin ja aiheuttaa pesukoneen kytkeytymisen pois päältä. Vesihanojen pitää olla enintään 120 cm:n etäisyydellä pyykinpesukoneen takaosasta, jotta mukana toimitetut syöttöletkut ylettyvät pyykinpesukoneeseen.

Voit vähentää vuotoriskiä seuraavasti:

- Varmista, että vesihanoihin pääsee helposti käsiksi.
- Sulje hanat, kun pyykinpesukonetta ei käytetä.
- Tarkista säännöllisesti, että vedensyöttöletkun liitinosat eivät vuoda.

HUOMIO

Tarkista ennen pyykinpesukoneen ensimmäistä käyttökertaa, että vesiventtiilin ja hanojen liitännät eivät vuoda.

Tyhjennys

Samsung suosittelee, että pystysuoran viemäriputken korkeus on 60–90cm. Tyhjennysletku on liitettävä viemäriputken letkunpuristimen läpi, ja viemäriputken on peitettävä tyhjennysletku kokonaan.

Lattia

Pyykinpesukone on asennettava kiinteälle lattialle, jotta se toimii parhaiten. Puulattiat saattavat vaatia vahvistamista, jotta tärinä ja/tai pyykin jakautuminen epätasaisesti voitaisiin minimoida. Kokolattiamatot ja pehmeät laattapinnat eivät estä tärinää hyvin, minkä seurauksena pyykinpesukone voi siirtyä hiukan linkousvaiheen aikana.

HUOMIO

ÄLÄ asenna pyykinpesukonetta korokkeelle tai huonosti tuetun rakenteen päälle.

Veden lämpötila

Älä asenna pyykinpesukonetta paikkaan, jossa vesi voi jäätyä, koska pyykinpesukoneen vesiventtiileihin, pumppuihin ja/tai letkuihin jää aina hiukan vettä. Liitännäosiin jäänyt jäätynyt vesi voi vaurioittaa pyykinpesukoneen hihnoja, pumppua ja muita osia.

Syvennykseen tai kaapistoon asentaminen

Vähimmäisväly, joka takaa vakaan toiminnan:

Sivuilla	25 mm
Päällä	25 mm
Takana	50 mm
Edessä	550 mm

Jos sekä pyykinpesukone että kuivausrumpu asennetaan samaan paikkaan, syvennyksen tai kaapin edessä on oltava vähintään 550 mm:n esteetön ilma-aukko. Pesukone yksinään ei vaadi tiettyä määrää vapaata ilmatilaa.

Asennus

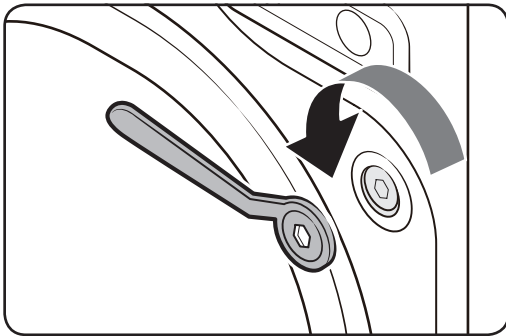
Asennus vaihe vaiheelta

VAIHE 1 - Valitse paikka

Paikkaa koskevat vaatimukset:

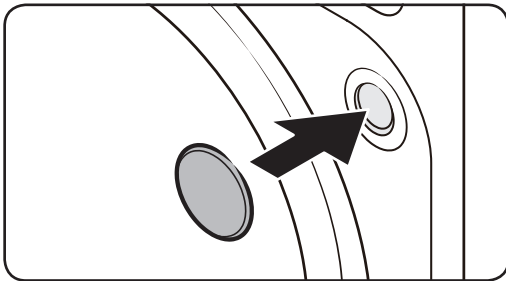
- Kiinteä, vaakasuora alusta, jolla ei ole ilman vaihtumista estävää kokolattiamattoa tai lattianpäällystettä
- Ei suorassa auringonvalossa
- Riittävästi tilaa ilman vaihtumiselle ja johdoille
- Ympäristön lämpötila aina yli jäätymispisteen (0 °C)
- Kaukana lämmönlähteistä

VAIHE 2 - Irrota kuljetuspultit

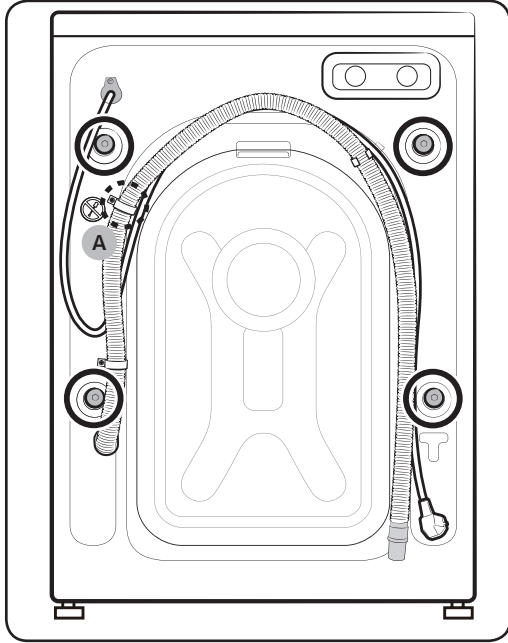


Ota tuote pakkauksesta ja irrota kaikki kuljetuspultit.

1. Löysää kaikki koneen takana olevat kuljetuspultit mukana toimitetulla avaimella.



2. Täytä reiät mukana toimitetuilla muovisilla pulttitulpilla. Säilytä kuljetuspultit myöhempää käyttöä varten.



3. Sulje kaikki muoviset pulttitulpat pyykinpesukoneen takaa.

! HUOMIO

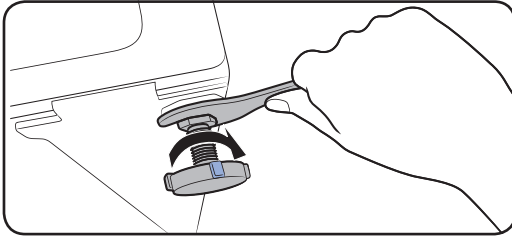
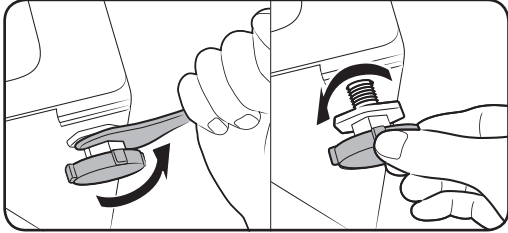
Älä poista ruuvia (A) joka kiinnittää letkunpuristimen.

! VAROITUS

Pakkausmateriaalit voivat olla vaarallisia lapsille. Hävitä kaikki pakkausmateriaalit (muovipussit, polystyreeni jne) äläkä jätä niitä lasten ulottuville.

Asennus

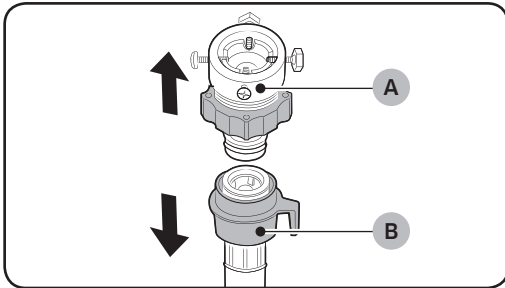
VAIHE 3 - Säädä säätöjalat



1. Liu'uta pyykinpesukone varovasti paikalleen. Älä käytä liikaa voimaa, jotta säätöjalat eivät vaurioidu.
2. Aseta pyykinpesukone vaakatasoon säätämällä säätöjalkoja käsin.
3. Kun kone on vaakasuorassa, kiristä mutterit avaimella.

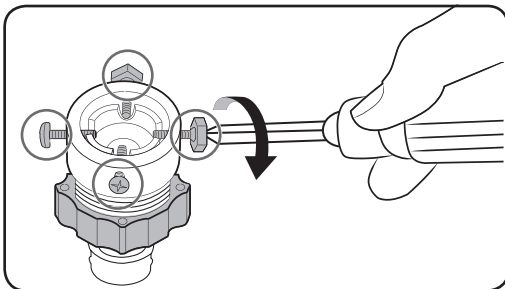
VAIHE 4 - Liitä vesiletku

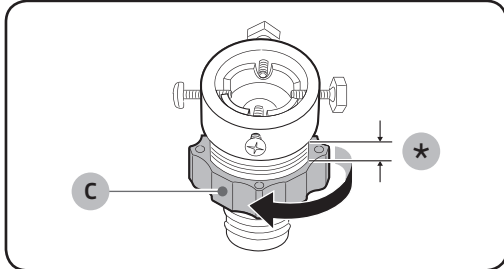
Mukana tuleva letkusovitin voi vaihdella mallin mukaan. Tämä opas auttaa liittämään liitintyyppisen sovittimen. Jos mukana tulee ruuvityyppinen sovitin, siirry kohtaan 7.



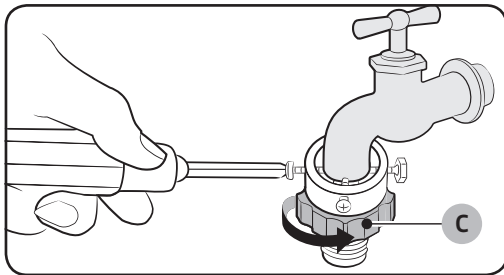
Liitä vedensyöttöletku vesihanaan.

1. Irrota sovitin (A) vedensyöttöletkusta (B).
2. Löysää sovittimen neljä ruuvia ristipääruuvitaltalla.

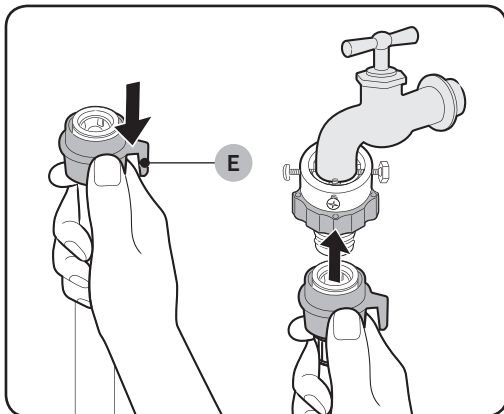




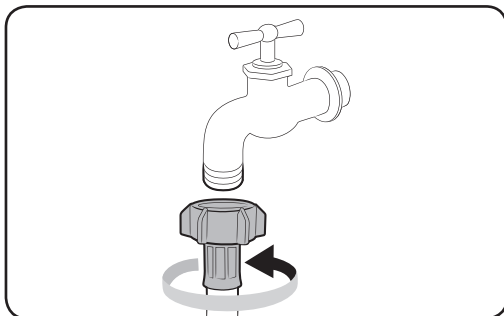
3. Pidä sovittimesta kiinni ja löysää osaa (C) 5 mm (*) kiertämällä sitä nuolen suuntaan.



4. Työnnä sovitin vesihanaan ja kiristä ruuvit samalla kun nostat sovitinta ylöspäin.
5. Kiristä osa (C) kiertämällä sitä nuolen suuntaan.



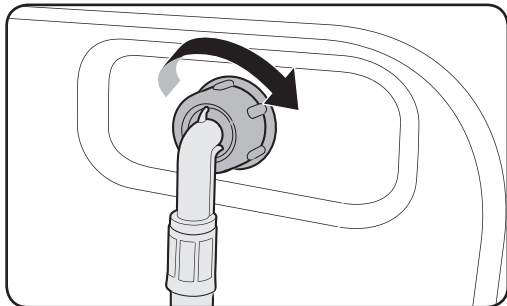
6. Pidä osaa (E) painettuna alas ja liitä vedensyöttöletku sovittimeen. Vapauta sitten osa (E). Letku kiinnittyy sovittimeen napsahtaen.



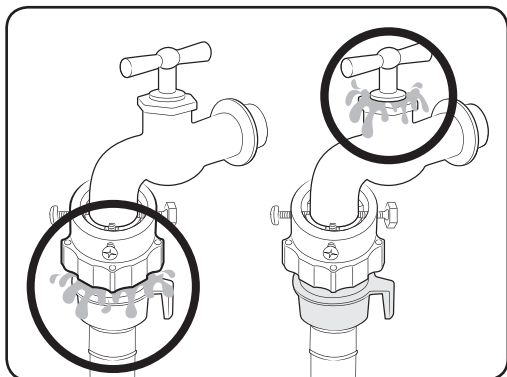
7. Jos sinulla on ruuvityyppinen vesihana, käytä mukana tulevaa ruuvityyppistä sovitinta vesihanaan liittämiseen, kuten kuvassa näytetään.



Asennus



8. Liitä vedensyöttöletkun toinen pää pyykinpesukoneen takana olevaan tuloventtiiliin. Kiristä letku kiertämällä sitä myötäpäivään.



9. Avaa vesihana ja tarkista, ettei liitännäkohdissa ole vuotoja. Jos vettä vuotaa, toista edellä kuvatut vaiheet.

VAROITUS

Lopeta pyykinpesukoneen käyttö, jos havaitset vesivuotoja, ja ota yhteys Samsungin paikalliseen huoltokeskukseen. Muutoin seurauksena voi olla sähköisku.

HUOMIO

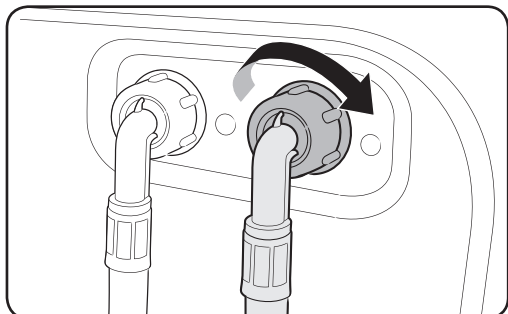
Älä venytä vedensyöttöletkua väkisin. Jos letku on liian lyhyt, vaihda letku pitempään korkeapaineletkuun.

HUOMAUTUS

- Kun olet liittänyt vedensyöttöletkun sovittimeen, vedä vedensyöttöletkua alaspäin ja tarkista, että se on kunnolla kiinni.
- Käytä tavanomaista vesihanaa. Jos hana on neliönmuotoinen tai liian iso, irrota välikerengas, ennen kuin työntät hanan sovittimeen.

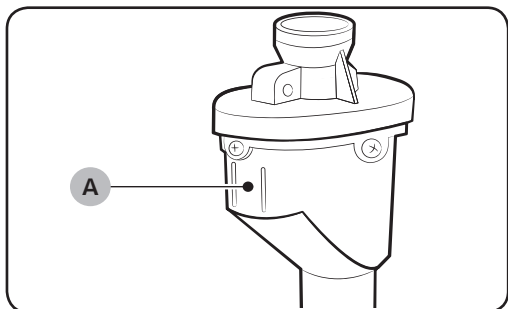


Mallit, joissa on lisäksi kuuman veden tuloliitin:



1. Liitä kuuman veden syöttöletkun punainen pää pyykinpesukoneen takana olevaan kuuman veden tuloliittimeen.
2. Liitä kuuman veden syöttöletkun toinen pää kuumavesihanaan.

Aqua-letku (koskee vain malleja, joissa sellainen on)



Aqua-letku varoittaa käyttäjiä vesivuotojen riskistä. Se tunnistaa veden virtauksen, ja jos letku vuotaa, sen keskellä oleva punainen merkkivalo (A) syttyy.

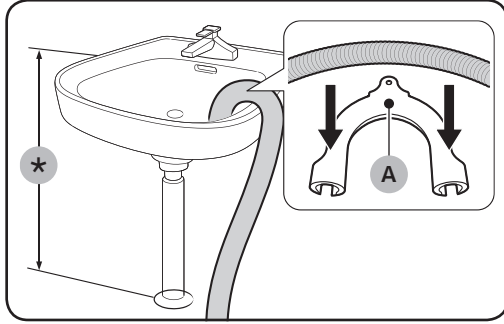
HUOMAUTUS

Aqua-stop-letkun pää tulee kiinnittää vesihanaan ei koneeseen.

Asennus

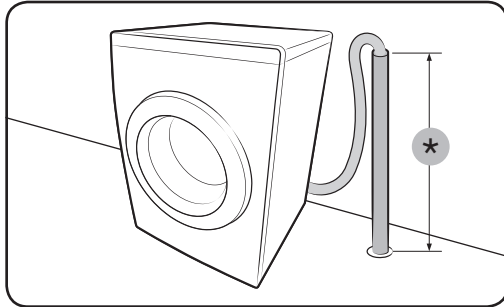
VAIHE 5 - Sijoita tyhjennysletku

Tyhjennysletku voidaan sijoittaa kolmella tavalla:



Pesualtaan reunan yli

Tyhjennysletku on asetettava 60–90 cm:n (*) korkeudelle lattiasta. Käytä mukana toimitettua muovista letkunohjainta (A), jotta tyhjennysletkun pää pysyy taivutettuna. Kiinnitä ohjain seinään koukulla, jotta letku pysyy paikallaan tyhjennyksen aikana.

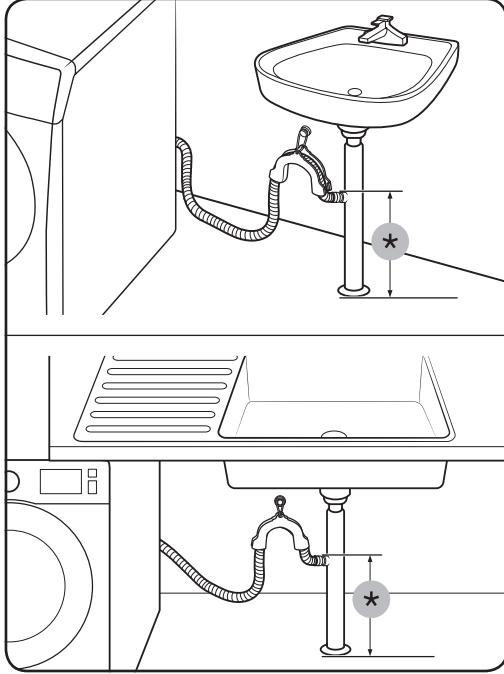


Viemäriputkeen

Viemäriputken on oltava 60–90 cm:n korkeudella (*). On suositeltavaa käyttää 65 cm korkeaa pystysuoraa putkea. Varmista, että tyhjennysletku on liitetty putkeen viistosti.

Pystysuoran viemäriputken vaatimukset:

- Vähimmäisläpimitta 5 cm
- Kuljetuskapasiteetti vähintään 60 litraa minuutissa



Pesualtaan viemäriputken haaraliitännän

Viemäriputken haaraliitännän on oltava pesualtaan hajulukon yläpuolella niin, että letkun pää on vähintään 60 cm:n korkeudella lattiasta.

(*) : 60 cm

VAIHE 6 - Virta päälle

Kytke virtajohto hyväksytyyn pistorasiaan, jonka vaihtovirtajännite on 220-240 V / 50 Hz ja joka on suojattu sulakkeella tai johdonsuojakatkaisimella. Kytke pesukone päälle painamalla **Virta**-painiketta.



Ennen aloittamista

Alkuasetukset

Kalibroinnin suorittaminen (suositeltavaa)

Kalibrointi varmistaa, että pyykinpesukone tunnistaa pyykin painon tarkasti. Varmista ennen kalibrointi-toiminnon käynnistämistä, että rumpu on tyhjä.

1. Kytke pyykinpesukone pois päältä ja kytke se sitten päälle uudelleen.
2. Pääset kalibrointitilaan pitämällä painikkeita **Lämpötila** ja **Ajastin +** painettuina samanaikaisesti 3 sekunnin ajan. "Cb"-viesti ilmestyy näkyviin.
3. Suorita kalibrointi painamalla **Käynnistys/Keskeytyks (käynnistyksen pysäytys)**.
4. Rumpu pyörii myötäpäivään ja vastapäivään noin 3 minuuttia.
5. Kun toimenpide on valmis, näyttöön ilmestyy "0" ja pyykinpesukone kytkeytyy automaattisesti pois päältä. Pesukone on nyt käyttövalmis.

Pyykkiohjeet

VAIHE 1 - Lajittele

Lajittele pyykki näiden kriteerien mukaan:

- Hoito-ohjelappu: Lajittele pyykki sen mukaan, onko se puuvillaa, sekakuitua, keinokuitua, silkkiä, villaa tai raionia.
- Väri: Erottele valkoinen ja värillinen pyykki.
- Koko: Pesuteho paranee, kun rumpuun laitetaan sekaisin erikokoisia vaatteita.
- Herkkyys: Pese herkät tuotteet erillään, kuten puhtaasta uudesta villasta valmistetut tuotteet, verhot ja silkistä valmistetut tuotteet. Tarkista vaatteiden hoito-ohjelaput.



HUOMAUTUS

Muista tarkistaa vaatteiden hoito-ohjelappu ja lajittele pyykki ohjeiden mukaan ennen pesun käynnistämistä.



VAIHE 2 - Tyhjennä taskut

Tyhjennä kaikkien vaatteiden taskut

- Metalliosat, kuten kolikot, pinnit ja vaatteiden soljet voivat vaurioittaa muita vaatteita sekä rumpua.

Käännä vaatteet nurinpäin, jos niissä on nappeja ja brodeerauksia

- Jos housujen ja takkien vetoketjut ovat auki pesun aikana, rumpu voi vaurioitua. Vetoketjut on suljettava ja kiinnitettävä langalla.
- Jos vaatteissa on pitkiä nauhoja, ne voivat sotkeutua toisiin vaatteisiin. Varmista ennen pesun alkua, että nauhat on kiinnitetty.

VAIHE 3 - Käytä pesupussia

- Rintaliivit (vesipestävät) on asetettava pesupussiin. Rintaliivien metalliosat voivat työntyä muiden vaatteiden läpi ja repiä ne rikki.
- Pienet, kevyet vaatteet kuten sukat, käsineet, sukkahousut ja nenäliinat saattavat tarttua luukun ympärille. Laita ne tarkoitukseen soveltuvaan pesupussiin.
- Älä pese pesupussia yksinään, ilman muuta pyykkiä. Se voi aiheuttaa epänormaalia ääntä, joka voi siirtää pyykinpesukonetta ja johtaa loukkaantumiseen.

VAIHE 4 - Esipesu (jos tarpeen)

Valitse Esipesu-vaihtoehto valittuun pesuohjelmaan, jos pyykki on hyvin likaista. Älä käytä Esipesu-vaihtoehtoa, jos pesuaine lisätään käsin rumpuun tai käytät nestemäistä pesuainetta.

VAIHE 5 - Määritä täyttömäärä

Älä täytä pesukonetta liian täyteen. Jos pyykinpesukone on liian täynnä, pesutulos ei ole välttämättä hyvä. Eri vaatetyyppien täyttömäärä on annettu sivulla **37**.

HUOMAUTUS

Kun peset vuode- tai liinavaatteita, pesuaika voi olla pitempi tai linkousteho voi olla huonompi. Vuode- ja liinavaatteiden suositeltu linkousnopeus on enintään 800 kierrosta minuutissa ja täyttömäärä enintään 2,0 kg.

HUOMIO

- Jos pyykin paino on jakautunut epätasaisesti, linkousteho voi heiketä.
- Varmista, että pyykki on rummun sisällä eikä sitä ole jäänyt luukun väliin.
- Älä paiskaa luukku kiinni. Sulje luukku hellävaraisesti. Muutoin luukku ei ehkä mene kunnolla kiinni.

Ennen aloittamista

VAIHE 6 - Käytä oikeantyyppistä pesuainetta

Pesuaineen tyyppi määräytyy kankaan tyyppin (puuvilla, keinokuitu, hienopyykki, villa), värin, pesulämpötilan ja likaisuuden mukaan. Käytä aina pyykinpesuainetta, joka on suunniteltu automaattisille pyykinpesukoneille.

HUOMAUTUS

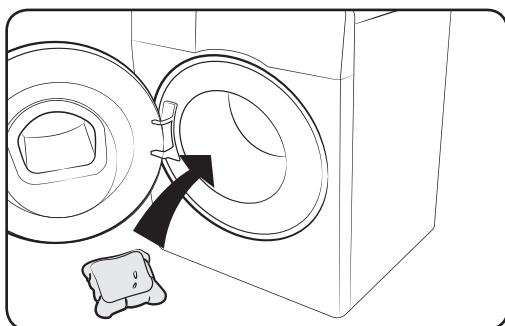
- Noudata pesuaineen valmistajien suosituksia, jotka perustuvat pyykin painoon, likaisuuteen ja paikallisen veden kovuuteen. Jos et ole varma veden kovuudesta, ota yhteys paikalliseen vesilaitokseen.
- Älä käytä pesuainetta, jolla on taipumusta kovettua tai muuttua kiinteäksi. Tällainen pesuaine voi jäädä koneeseen huuhteluvaiheen jälkeen ja tukkia tyhjennysaukon.
- Ilmoitus "Sud" ilmestyy näkyviin, jos ohjelman aikana syntyy liikaa vaahtoa.

HUOMIO

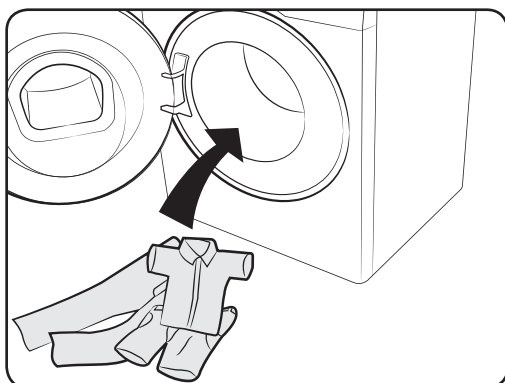
Kun peset käyttäen **VILLA**-ohjelmaa, käytä villalle tarkoitettua pesuainetta. Jos käytät **VILLA**-ohjelmassa jauhemaista pesuainetta, pyykkiin voi jäädä pesuainetta, mikä voi värjätä pyykin.

Pesuainekapselit

Saat parhaat tulokset pesuainekapseleiden käytöstä noudattamalla näitä ohjeita.



1. Laita kapseli tyhjän rummun pohjalle sen takaosaan.



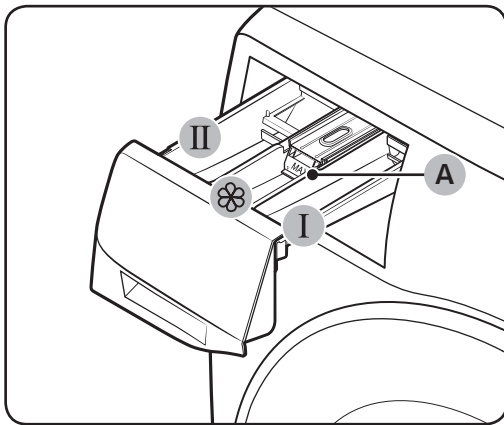
2. Laita pyykki rumpuun kapselin päälle.


HUOMIO

Kapseli ei ehkä liukene kokonaan ohjelmissa, joissa käytetään kylmää vettä tai jotka kestävät alla tunnin.

Pesuainelaatikon ohjeet

Pyykinpesukoneessa on kolmilokeroinen annostelija: vasen lokero on pääpesulle, keskellä oleva lokero huuhteluaineille ja oikealla oleva lokero esipesulle.



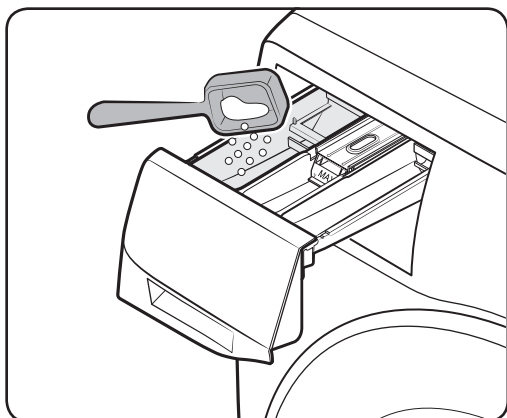
- 01 I Esipesulokero:** Käytä esipesuun tai tärkkäykseen tarkoitettulle pesuaineelle.
- 02 II Pääpesun lokero:** Käytä pääpesuun tarkoitettulle pesuaineelle, veden pehennysaineelle, valkaisuaineelle ja/ tai tahrannoistoaaineille.
- 03  Huuhtelulokero:** Käytä lisäaineille, kuten huuhteluaineille. Älä ylitä maksimiviivaa (A).

HUOMIO

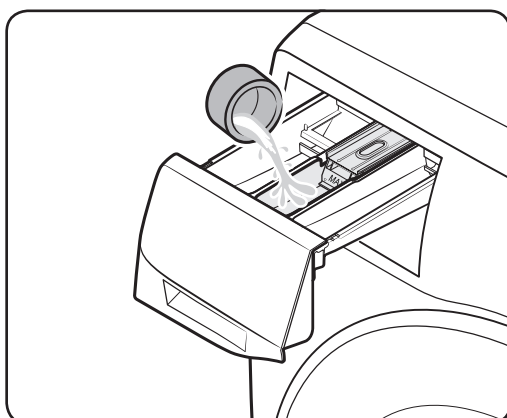
- Älä avaa pesuainelaatikkoa, kun pyykinpesukone on käynnissä.
- Älä käytä seuraaventyypisiä pesuaineita:
 - Tabletti- tai kapselityyppisiä
 - Pallo- tai verkkotyypisiä
- Jotta lokero ei tukkeutuisi, tiivisteet tai jähmeät aineet (huuhteluaine tai pesuaine) on laimennettava vedellä ennen käyttöä.
- Ennen pyykinpesukoneen siirtämistä tyhjännä pesuainelokero, jossa voi olla pesuainetta ja/tai huuhteluainetta. Lokeron sisältö voi roiskua lattialle.


Ennen aloittamista

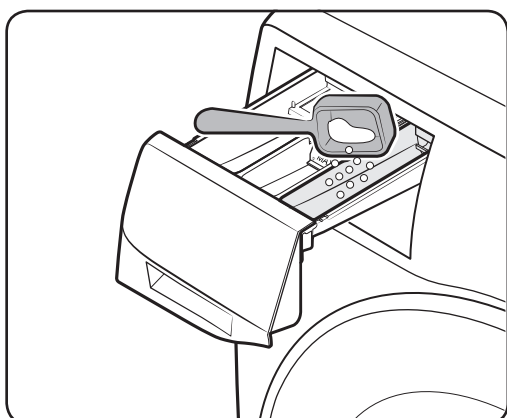
Pesuaineiden lisääminen pesuainelaatikkoon



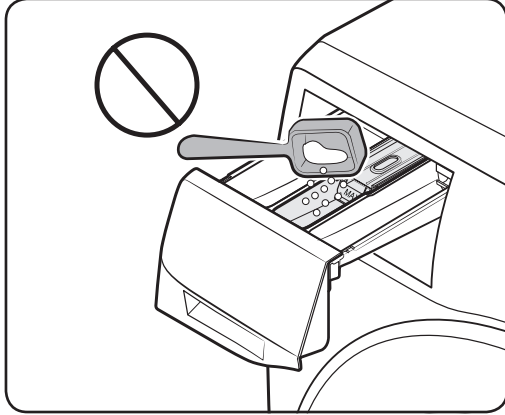
1. Liu'uta pesuainelaatikko auki.
2. Lisää pyykinpesuainetta **II** pääpesulokeroon valmistajan ohjeiden tai suositusten mukaisesti. Katso lisätietoa nestemäisten pesuaineiden käytöstä sivulta 33.




3. Lisää huuhteluainetta  huuhteluainelokeroon. Älä ylitä maksimiviivaa.



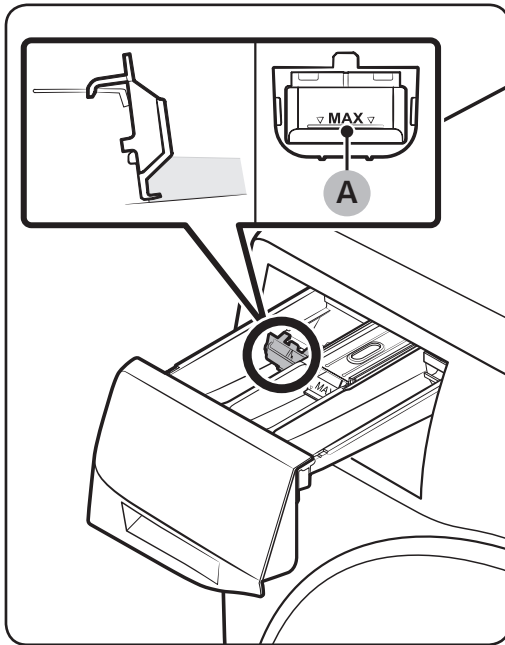
4. Jos haluat käyttää esipesua, lisää esipesuainetta **I** esipesulokeroon valmistajan ohjeiden tai suositusten mukaisesti.
5. Sulje pesuainelaatikko.




⚠ HUOMIO

- Älä lisää jauhemaista pesuainetta nestemäisen aineen lokeroon.
- Tiivistetty huuhteluaine täytyy laimentaa vedellä ennen lisäämistä.
- Älä lisää pääpesun pesuainetta  huuhteluainelokeroon.

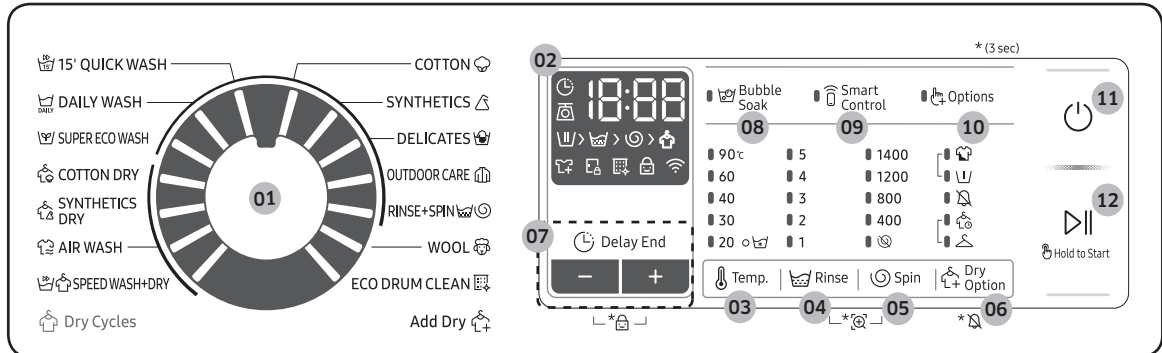
Nestemäisen pesuaineen käyttäminen (vain tietyt mallit)



Laita ensin mukana tullut nestesäiliö  pääpesun lokeroon. Lisää sitten säiliöön nestemäistä pesuainetta ylittämättä merkittyä maksimiviivaa (A).

Toiminnot

Käyttöpaneeli



01 ohjelmavalitsimella	Valitse ohjelma kiertämällä valitsinta.
02 Näyttö	Näytössä näkyy nykyisen ohjelman tiedot ja arvioitu jäljellä oleva aika tai ongelmatilanteissa näyttökoodi. Katso painikkeet ja kuvakkeet vastaavalta sivulta.
03 Lämpötila	Tätä painiketta painamalla voit muuttaa nykyisen ohjelman veden lämpötilaa.
04 Huuhtelu	Tätä painiketta painamalla voit muuttaa nykyisen ohjelman huuhtelukertoja. Voit asettaa enintään viisi huuhtelukertaa ohjelmasta riippuen.
05 Linkous	<p>Tätä painiketta painamalla voit muuttaa nykyisen ohjelman linkousnopeutta. Kierrosten määrä minuutissa (k/min) vaihtelee mallin mukaan.</p> <ul style="list-style-type: none"> Huuhtelun pysäytys (ei merkkivaloa): Viimeinen huuhteluvaihe pysäytetään niin, että pyykki jää veteen. Jotta voit ottaa pyykin pois koneesta, käynnistä tyhjennys- tai linkousvaihe. <ul style="list-style-type: none"> - Jos haluat käyttää huuhtelun pysäytystä, paina Linkous toistuvasti, kunnes kaikki numeeriset k/min-arvot poistuvat. Ei ole käytettävissä TYHJENNYS/LINKOUS-ohjelmassa. Ei linkousta : Rumpu ei linkoa viimeisen huuhteluvaiheen jälkeen. <ul style="list-style-type: none"> - Voit käyttää Ei linkousta -valintaa, kun painat Linkous toistuvasti, kunnes Ei linkousta (☹) -merkkivalo syttyy. Vain linkous: Saat Vain linkous -pesuohjelman painamalla Linkous 3 sekunnin ajan. Kun pesuohjelman kesto-aika ja linkousnopeus ilmestyvät, paina uudelleen Linkous, kunnes haluamasi linkousnopeus on valittu. Käynnistä sitten ohjelma painamalla ja pitämällä Käynnistys/Keskeytyks (käynnistyksen pysäytys). Linkousaika riippuu valitusta pesuohjelmasta.

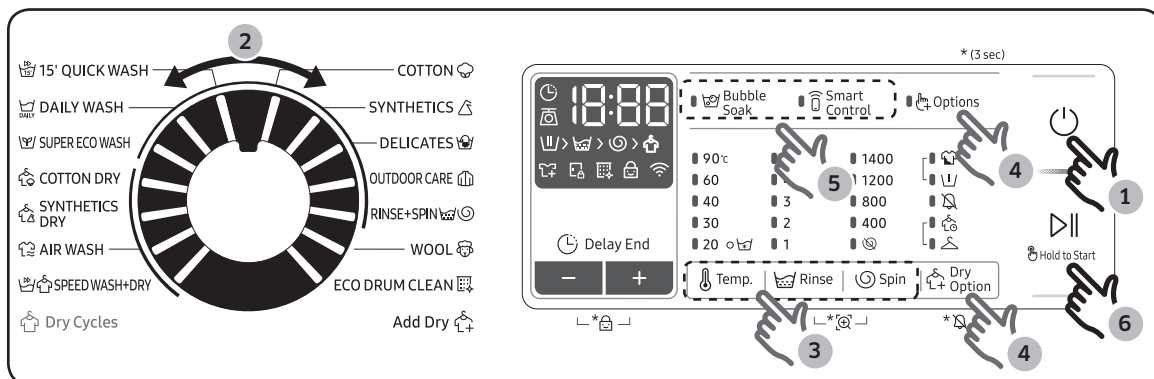
06 Kuivausvalinta	<p>Valitse kuivaustaso painamalla: Kaappikuiva > Aikakuivaus (30 min > 1:00 h > 1:30 h > 2:00 h > 2:30 h > 3:00 h > 3:30 h > 4:00 h > 4:30 h) > Ei kuivausta</p> <ul style="list-style-type: none"> • Kaappikuiva: Käytä tätä valintaa puuvillan, alusvaatteiden ja liinavaatteiden kuivaamiseen. • Aikakuivaus: Käytä tätä valintaa pyykin kuivaukseen tietyssä ajassa, joka riippuu kuiduista, pyykin määrästä ja kosteudesta. • Ei kuivausta: Käytä tätä valintaa, jos et käytä kuivausohjelmaa.
07 Ajastin	<p>Ajastin mahdollistaa nykyisen pesuohjelman päättymisajan asettamisen. Pesuohjelman alkamisajan määrittää koneen sisäinen logiikka tekemiesi asetusten mukaisesti. Tämä asetusta on hyödyllinen, jos haluat esimerkiksi ohjelmoida koneen päättämään pesun silloin, kun tulet töistä kotiin.</p> <ul style="list-style-type: none"> • Valitse esiasetettu tuntiyksikkö painamalla.
08 Kuplaliotus	<p>Painamalla otat käyttöön/poistat käytöstä Kuplaliotus-toiminnon. Sen avulla saat poistettua monenlaisia vaikeita tahroja.</p> <ul style="list-style-type: none"> • Kuplaliotus auttaa poistamaan monenlaisia vaikeita tahroja. • Kun Kuplaliotus on valittuna, pyykki liotetaan perusteellisesti vesikuplissa pesun tehostamiseksi. • Kuplaliotus on käytettävissä seuraavissa ohjelmissa, ja se lisää 30 minuuttia näiden ohjelmien keston: PUUVILLA, SYNTEETTISET, PÄIVITTÄISPESU ja PIKAPESU+KUIVAUS.
09 Smart Control	<p>Painamalla painiketta voit aktivoida/poistaa käytöstä Smart Control-toiminnon. Kun Smart Control-toiminto on aktivoitu, voit ohjata pesukonetta mobiililaitetta käyttäen. Lisätietoa saat SmartThings-osioista sivulta 45.</p>
10 Valinnat	<p>Teet valinnat painamalla. Käytettävissä olevat vaihtoehdot vaihtelevat ohjelman mukaan.</p>
11 Virta	<p>Tätä painiketta painamalla voit kytkeä ja katkaista pyykinpesukoneen virran.</p>
12 Käynnistys/ Keskeytys (käynnistykseen pysäytys/Hold to Start)	<p>Käynnistä toiminta painamalla ja pitämällä tai pysäytä toiminta tilapäisesti painamalla.</p>

Lisätietoa näistä valinnoista on Erikoisominaisuudet-osiossa.

Toiminnot

Yksinkertaiset aloitusohjeet

Vakiovaiheet



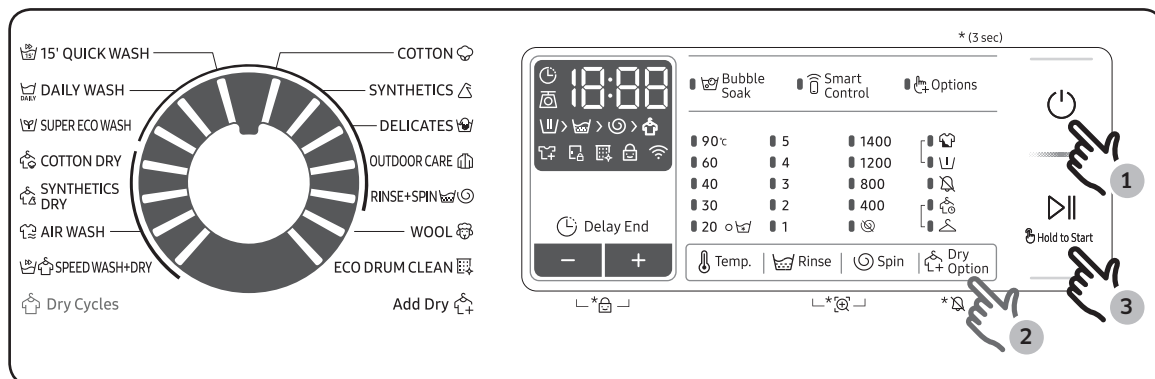
1. Kytke pesukone päälle painamalla **Virta**-painiketta.
2. Valitse ohjelma ohjelmapaneelistä.
3. Muuta tarvittaessa pesuohjelman asetuksia (**Lämpötila**, **Huuhtelu**, ja **Linkous**).
4. Lisää haluamasi valinnat painamalla **Valinnat** tai **Kuivausvalinta**. Valittavissa olevat valinnat vaihtelevat valitun ohjelman mukaan.
5. Pyykinpesukoneessa on valittavissa **Kuplaliotus** ja **Smart Control** käytön helpottamiseksi. Valinta otetaan käyttöön painamalla vastaavaa painiketta.
6. Paina ja pidä **Käynnistys/Keskeyty**s (käynnistyksen pysäytys).

Ohjelman vaihtaminen käytön aikana

1. Pysäytä kone painamalla **Käynnistys/Keskeyty**s (käynnistyksen pysäytys).
2. Valitse eri ohjelma.
3. Käynnistä uusi ohjelma painamalla **Käynnistys/Keskeyty**s (käynnistyksen pysäytys) uudelleen.

Vain kuivaus

Noudata näitä vaiheita kostean pyykin kuivaamisessa tai juuri pestyn pyykin kuivaamisessa.



1. Kytke pesukone päälle painamalla **Virta**-painiketta.
2. Paina **Kuivausvalinta** toistuvasti, kunnes haluttu kuivuusaste on asetettu.
3. Paina ja pidä **Käynnistys/Keskeyty**s (käynnistyksen pysäytys).










Ohjelman vaihtaminen käytön aikana




1. Pysäytä kone painamalla **Käynnistys/Keskeyty**s (käynnistyksen pysäytys).
2. Valitse eri ohjelma.
3. Käynnistä uusi ohjelma painamalla **Käynnistys/Keskeyty**s (käynnistyksen pysäytys) uudelleen.

Toiminnot






Pesuohjelman yleiskatsaus

Vakio-ohjelmat

Ohjelma	Kuvaus ja maksimimäärä (kg)	
PUUVILLA 	<ul style="list-style-type: none">Puuvillavaatteille, vuodevaatteille, pöytätekstiileille, alusvaatteille, pyyhkeille tai paidoille. Pesuaika ja huuhtelujen määrä säädetään automaattisesti pyykkimäärän mukaan.	Maksimi
SYNTEETTISET 	<ul style="list-style-type: none">Puseroille tai paidoille, jotka on valmistettu polyesteristä (diolen, trevira), polyamidista (perlon, nailon) tai vastaavista.	4,0
HIENOPESU 	<ul style="list-style-type: none">Aroille materiaaleille, kuten raion, viskoosi ja synteettiset sekoitekuidut.Parhaan tuloksen saat käyttämällä nestemäistä pesuainetta.	2,0
ULKOVAATTEET 	<ul style="list-style-type: none">Ulko-, hiihto- ja urheiluvaatteille, jotka on valmistettu funktionaalisista materiaaleista, kuten spandexista, joustokankaista ja mikrokuidusta	2,0
HUUHTELU + LINKOUS  	<ul style="list-style-type: none">Ylimääräinen huuhteluvaihe sen jälkeen kun pyykkiin on lisätty huuhteluainetta.	Maksimi
VILLA 	<ul style="list-style-type: none">Tarkoitettu konepestävälle villalle ja alle 2,0 kg:n täyttömäärälle. Villa-ohjelmassa on hellävarainen jaksottainen pyöriminen ja liotus, joka suojaa villakuituja kutistumiselta ja muodon muuttumiselta.Neutraalia pesuainetta suositellaan.	2,0
ECO DRUM CLEAN 	<ul style="list-style-type: none">Puhdistaa rumpun poistaen lian ja bakteerit.Puhdistaa luukun kumitiivisteiden poistaen lian tiivisteestä.Käytä tätä 40 pesun välein ilman pesu- tai valkaisuainetta. Automaattinen ilmoitus 40 pesun välein.Varmista, että rumpu on tyhjä.Älä käytä mitään puhdistusaineita rumpun puhdistukseen.	-



Ohjelma	Kuvaus ja maksimimäärä (kg)	
PIKAPESU 15' 	<p>Hieman likaisille vaatteille ja alle 2 kg painavalle pyykille, jonka haluat pestä nopeasti.</p> <ul style="list-style-type: none"> Käytä pesuainetta enintään 20 g. Jos käytät yli 20 g, pyykkiin saattaa jäädä pesuainejäämiä. Jos käytät nestemäistä pesuainetta, käytä enintään 20 ml pesunestettä. 	2,0
PÄIVITTÄISPESU 	<ul style="list-style-type: none"> Jokapäiväisille vaatteille, kuten alusvaatteille ja paidoille. 	4,0
SUPER EKOPESU 	<ul style="list-style-type: none"> Alhaisen lämpötilan Eco Bubble auttaa vähentämään virrankulutusta. 	4,0

Kuivausohjelmat



Ohjelma	Kuvaus ja maksimimäärä (kg)	
KUIVAUS PUUVILLA 	<ul style="list-style-type: none"> Yleinen kuivaus. 	5,0
KUIVAUS SYNTEETTISET 	<ul style="list-style-type: none"> Matalan lämpötilan kuivausohjelma lämmölle herkille vaatteille. 	3,0
AIR WASH 	<ul style="list-style-type: none"> Pahojen hajujen poistoon soveltuva pesuohjelma. Ohjelmavalitsin toteuttaa seuraavat käyttötilat. 	1,0
PIKAPESU+KUIVAUS 	<ul style="list-style-type: none"> Lisäkuivaus voi olla tarpeen riippuen pyykin määrästä ja paksuudesta. <p> HUOMAUTUS Enimmäismäärä (4,5 kg) testattiin IEC-standardin mukaan (4 puuvillatyynyliinaa, 3 puuvillapyyhettä, 5 siliävää tyynyliinaa, 10 siliävää paitaa).</p>	4,5

Toiminnot

Valinnat

Valinta	Kuvaus
 Tehopesu	<ul style="list-style-type: none">Pahoin likaantuneelle pyykille. Kunkin vaiheen kestoaika on normaalia pitempi.
 Esipesu	<ul style="list-style-type: none">Tämä lisää esipesuvaiheen ennen pääpesuvaihetta.

Kuivausvalinta

Valinta	Kuvaus
 Kaappikuiva	<ul style="list-style-type: none">Valitse pyykin automaattiseen kuivaukseen, tunnistaa pyykin määrän ja painon. Valitse puuvillaisten vaatteiden, kuten puuvillahousujen, T-paitojen ja puuvillaisten alusvaatteiden, kuivaukseen.
 Aikakuivaus	<ul style="list-style-type: none">Käytä tätä valintaa pyykin kuivaukseen tietyssä ajassa, joka riippuu materiaalista, pyykin määrästä ja kosteudesta.

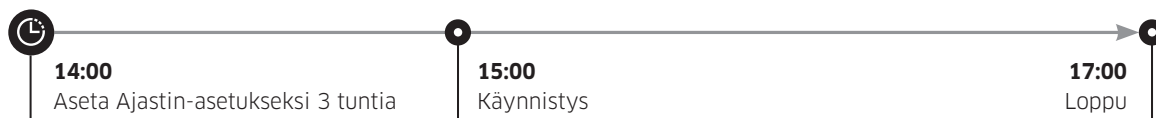
Ajastin 🕒

Kone voidaan ajastaa niin, että pesu tapahtuu myöhemmin. Voit asettaa viiveajaksi 1-24 tuntia (tunnin tarkkuudella). Näytettävä aika viittaa siihen aikaan, jolloin pesuohjelma päättyy.

1. Valitse ohjelma ja siihen tarvittavat asetukset.
2. Paina **Ajastin** (tai +/- painiketta) toistuvasti, kunnes päättymisaika on haluamasi.
3. Paina ja pidä **Käynnistys/Keskeytys (käynnistyksen pysäytys)**. Ajastin-toiminnon merkkivalo vilkkuu ja pyykinpesukone pyörittää rumpua tunnistaakseen pyykin painon, jos pyykin painontunnistus sisältyy valittuun ohjelmaan. Kun tämä on valmis, näyttöön ilmestyy asettamasi aika ja ajastin on käynnissä.
4. Voit peruuttaa Ajastin-tilan ja käynnistää pyykinpesukoneen uudelleen painamalla **Virta**.

Käyttöesimerkki

Haluat päättää kaksi tuntia kestävä ohjelman kolmen tunnin kuluttua tästä hetkestä. Tätä varten sinun on lisättävä nykyiseen ohjelmaan Ajastin-vaihtoehto, jonka asetus on 3 tuntia, ja painettava **Käynnistys/Keskeytys (käynnistyksen pysäytys)** kello 14:00. Mitä sitten tapahtuu? Pyykinpesukone käynnistyy klo 15:00 ja pysähtyy kello 17:00. Alla on tätä esimerkkiä kuvaava aikajana.




Painontunnistin 📏

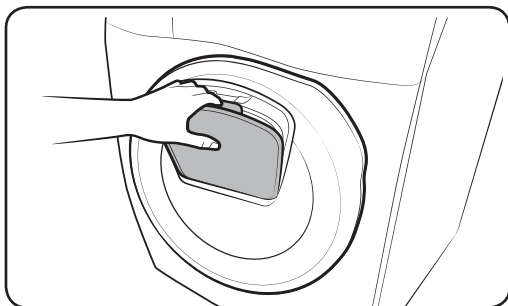
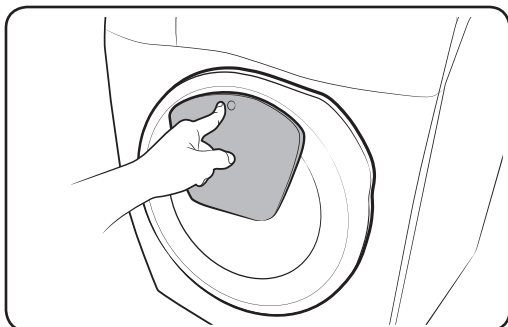
Painontunnistimen kuvake syttyy, kun valitset ohjelman, joka tukee painontunnistusta. Jotkin ohjelmista eivät ehkä tue painontunnistusta. Kun käynnistät ohjelman, kuvake vilkkuu tai palaa painontunnistuksen ajan ja sammuu, kun prosessi on valmis.

Toiminnot

Erikoisominaisuudet

AddWash

Kun AddWash-merkkivalo  syttyy, voit pysäyttää koneen toiminnan ja lisätä pyykkiä tai huuhteluainetta rumpuun. Add Door avaa luukun yli 130° asentoon helpottamaan käyttöä.



1. Pysäytä kone painamalla **Käynnistys/ Keskeytys (käynnistyksen pysäytys)**.
2. Paina Add Door-painikkeen yläaluetta, kunnes kuulet napsahdavan äänen avaamisen merkiksi. Avaa vetämällä Add Door-kahvasta.
3. Avaa Add Door ja laita lisää pyykkiä tai huuhteluainetta rumpuun.
4. Sulje painamalla Add Door, kunnes kuulet napsahdavan äänen.
5. Käynnistä toiminta uudelleen painamalla ja pitämällä **Käynnistys/ Keskeytys (käynnistyksen pysäytys)**.

HUOMIO

Älä käytä liikaa voimaa painaessasi Add Door. Se saattaa vioittua.

HUOMAUTUS

Rummun sisällä oleva vesi ei vuoda ulos, jos Add Door on suljettu kunnolla. Vesipisaroita voi muodostua lasiin, mutta ne eivät vuoda rummun sisältä ulos.

HUOMIO

- Älä avaa Add Door, jos rummun sisälle on muodostunut vaahtoa, joka ylittää Add Door-tason.
- Älä avaa Add Door koneen ollessa käynnissä, ellet ensin paina **Käynnistys/Keskeytys (käynnistyksen pysäytys)**. Huomioi, että Add Door voi avata vahingossa (painamatta **Käynnistys/Keskeytys (käynnistyksen pysäytys)**), kun pesu on päättynyt.
- Älä lisää ylimääräistä kuormaa käyttämällä Add Door. Suorituskyky voi heikentyä.
- Älä käytä alemmaa Add Door-aluetta kahvana. Sormesi voivat jäädä kiinni.
- Varmista, ettei pyykkiä jää Add Door väliin.
- Pidä lemmikkieläimet poissa pesukoneen ja etenkin Add Door luota.
- Kun käytät kuumaa vettä pesussa, Add Door näyttää vuotavan Add Door avaamisen ja sulkemisen jälkeen. Tämä on normaalia, koska avoimesta Add Door tuleva höyry jäähtyy ja muodostaa vesipisaroita pinnalle.
- Kun Add Door suljetaan, luukku tiivistyy, eikä vettä voi vuotaa. Joskus voi kuitenkin ilmetä vesivuotoa luukun ympärillä - Add Door ympärille jäänyt jäännösvesi voi muodostaa vesipisaroita. Tämä on normaalia.
- Jos veden lämpötila on yli 50 °C, ei pääluukku eikä Add Door voi avata. Jos vesitaso rummun sisällä on tietyn pisteen yläpuolella, pääluukku ei voi avata.
- Jos näyttökoodi "DDC" ilmestyy näyttöön, katso osiosta "Näyttökoodit" lisätietoa.
- Pidä Add door ja sen ympäristö aina puhtaana. Lika tai pesuaineet Add door -tiivisteissä tai niiden ympärillä voi aiheuttaa vuotoa.

Toiminnot

Asetukset

Lapsilukko

Lapsilukon avulla voit estää lapsia käynnistämästä pyykinpesukonetta tai tekemästä asetuksia. Lapsilukko lukitsee kaikki muut painikkeet paitsi **Virta**-painikkeet.

Lapsilukko-toiminnon aktivointi

- Paina ja pidä - ja + (**Ajastin**-tilasta) samanaikaisesti 3 sekunnin ajan. Aktivoi sitten painamalla ja pitämällä **Käynnistys/Keskeytys (käynnistyksen pysäytys)**. Luukku lukittuu ja Lapsilukko-toiminnon merkkivalo syttyy.

Tilapäinen Lapsilukko-toiminnon poistaminen

Voit poistaa Lapsilukko-toiminnon tilapäisesti 1 minuutin ajaksi. Luukku vapautuu 1 minuutin ajaksi ja Lapsilukko-toiminnon merkkivalo vilkkuu.

- Paina ja pidä - ja + (**Ajastin**-tilasta) samanaikaisesti 3 sekunnin ajan.

HUOMAUTUS

- Jos pidät luukkua auki yli 1 minuutin ajan Lapsilukko-toiminnon poistamisen jälkeen, hälytys kuuluu enintään 2 minuutin ajan.
- Jos suljet luukun 2 minuutin sisällä, luukku lukittuu ja lapsilukko aktivoituu uudelleen. Jos et sulje luukkua tai luukku ei ole kunnolla kiinni, hälytysääni jatkuu 2 minuuttia.
- Jos haluat lisätä pyykkiä Lapsilukko-toiminnon aktivoinnin jälkeen, poista ensin Lapsilukko käytöstä tai käynnistä pyykinpesukone uudelleen.

Lapsilukko-toiminnon peruuttaminen

- Poista käytöstä painamalla ja pitämällä - ja + (**Ajastin**-tilasta) samanaikaisesti 3 sekunnin ajan ja peruuta Lapsilukko painamalla ja pitämällä painikkeita uudelleen 3 sekunnin ajan. Luukku vapautuu ja Lapsilukko-toiminnon merkkivalo syttyy.

Äänet päälle/pois päältä

Voit kytkeä pyykinpesukoneen äänet päälle ja pois päältä. Jos äänet on kytketty pois päältä, AddWash-hälytys, merkkiääni ohjelman päättyessä ja sammutusääni eivät kuulu. Muut äänet jäävät kuitenkin aktiivisiksi.

- Voit mykistää äänen painamalla ja pitämällä **Kuivausvalinta** 3 sekunnin ajan.
- Voit poistaa mykistyksen painamalla ja pitämällä sitä uudelleen 3 sekunnin ajan.
- Asetus säilyy myös pyykinpesukoneen uudelleen käynnistyksen jälkeen.

SmartThings

Wi-Fi-yhteys

Mene älypuhelimessa kohtaan Asetukset ja kytke langaton yhteys päälle ja valitse liityntäpiste.

HUOMAUTUS

- Tämä laite on suunniteltu vain kotitalouskäyttöön (luokka B) ja sitä voidaan käyttää kaikilla asuinalueilla.
- Tämä laite voi aiheuttaa langattomia häiriöitä eikä laitteen valmistaja tai asentaja voi tarjota minkäänlaisia suojatoimenpiteitä.
- Suositellut salausmenetelmät ovat WPA/TKIP ja WPA2/AES. Uusia Wi-Fi-protokollia tai hyväksymättömiä Wi-Fi-protokollia ei tueta.
- Ympäröivät langattomat ympäristöt voivat vaikuttaa langattoman verkon vastaanottoherkkyyteen.
- Jos Internet-yhteyden tarjoajasi on rekisteröinyt tietokoneesi tai modeemimoduulin MAC-osoitteen pysyvään käyttöön, Samsung-pyykinpesukone ei saa Internet-yhteyttä. Ota siinä tapauksessa yhteys Internet-yhteyden tarjoajaasi.
- Internetin palomuri voi häiritä Internet-yhteyttä. Jos näin tapahtuu, ota yhteys Internet-yhteyden tarjoajaasi.
- Jos Internet-ongelmat jatkuvat Internet-yhteyden tarjoajan toimenpiteistä huolimatta, ota yhteys paikalliseen Samsung-jälleenmyyjään tai huoltoliikkeeseen.
- Langallisten ja langattomien reitittimien asentamisesta saat tietoa käyttämäsi reitittimen käyttöoppaasta.
- Samsung-pyykinpesukone tukee vain Wi-Fi 2,4 GHz:n protokollia.
- Samsung-pyykinpesukone tukee IEEE802.11 b/g/n- (2,4 GHz), Soft-AP-protokollia. (IEEE802.11n on suositeltu)
- Hyväksymätön langallinen/langaton reititin ei ehkä saa yhteyttä Samsung-pyykinpesukoneeseen.

Lataaminen

Sovelluskaupoista (Google Play Store, Apple App Store, Samsung Galaxy Apps) löytyy SmartThings -sovellus hakusanalla "SmartThings". Lataa ja asenna sovellus laitteeseesi.

Toiminnot

HUOMAUTUS

- SmartThings -sovellus on saatavilla kolmannen osapuolen laitteisiin, joissa on Android OS 6.0 (Marshmallow) tai uudempi, Samsung-laitteisiin, joissa on Android OS 5.0 (Lollipop) tai uudempi ja iOS-laitteisiin, joissa on iOS 10.0 tai uudempi. iPhone, vaatii iPhone 6:n tai uudemman. Sovellus on optimoitu Samsung-älypuhelimille (Galaxy S- ja Note-sarja).
- Jotkin sovelluksen toiminnot voivat toimia eri tavalla kolmannen osapuolen laitteissa.
- Sovellusta voidaan muuttaa ilman eri ilmoitusta suorituskyvyn parantamiseksi.

Kirjautuminen

Sinun täytyy ensimmäiseksi kirjautua SmartThings -sovellukseen Samsung-tililläsi. Noudata uuden Samsung-tilin luomisessa sovelluksen ohjeita. Et tarvitse erillistä sovellusta tilin luomiseen.

HUOMAUTUS

Jos sinulla on Samsung-tili, käytä sitä kirjautumisessa. Rekisteröityneen Samsung-älypuhelimien käyttäjän kirjautuminen on automaattinen.

Laitteesi rekisteröiminen SmartThings -sovellukseen

1. Varmista, että älypuhelin on yhdistetty langattomaan verkkoon. Jos ei, mene kohtaan **Asetukset** ja kytke langaton yhteys päälle ja valitse liityntäpiste.
2. Valitse **SmartThings** älypuhelimestasi.
3. Kun viesti "Uusi laite on löytynyt." ilmestyy, valitse **Lisää**.
4. Jos tätä viestiä ei ilmesty, valitse **+** ja etsi pyykinpesukoneesi käytettävissä olevien laitteiden luettelosta. Jos pyykinpesukonettasi ei ole luettelossa, valitse **Laitteen tyyppi** > **Laitteen malli** ja lisää sitten pyykinpesukone manuaalisesti.
5. Rekisteröi pyykinpesukoneesi SmartThings -sovellukseen seuraavasti.
 - a. Kirjautu SmartThings -sovellukseen Samsung-tililläsi.
 - b. Kytke Wi-Fi-yhteys päälle.
 - c. Lisää pyykinpesukoneesi SmartThings -sovellukseen. Varmista, että pyykinpesukoneesi on yhdistetty SmartThings -sovellukseen.
 - d. Kun rekisteröinti on valmis, pyykinpesukone ilmestyy älypuhelimellesi.

Pyykinpesukonesovellus

Integroitu hallinta: Voit hallinnoida ja valvoa pyykinpesukonetta sekä kotona että ollessasi matkoilla.

- Valitse pyykinpesukoneen kuvake SmartThings -sovelluksesta. Pyykinpesukonesivu ilmestyy.
- Tarkasta pyykinpesukoneen toimintatila tai siihen liittyvät ilmoitukset ja muuta valintoja tai asetuksia, mikäli tarpeen.

SmartThings

Luokka	Tarkistuskohte	Kuvaus
Valvonta	Pesun tila	Voit tarkistaa nykyisen ohjelman ja sen valinnat sekä ohjelman jäljellä olevan ajan.
	Smart Control	Pyykinpesukoneen tilana näkyy Smart Control.
	Itsetarkistus	Käytä tätä tarkistaessasi, toimiiko pyykinpesukone normaalisti.
	Energian seuranta	Käytä tätä valvoessasi energiankulutuksen tilaa.
Hallinta	Käynnistys/Keskeytys/Peruutus	Valitse ohjelma ja tee tarvittavat valinnat. Valitse sitten Käynnistys/Keskeytys/Peruutus, jos haluat käynnistää toiminnan, pysäyttää sen tilapäisesti tai peruuttaa nykyisen toiminnan.
	Omat suosikit	Lisää usein käytetyt ohjelmat ja valinnat kohtaan Omat suosikit myöhempää käyttöä varten.
Ilmoitus	Ohjelma päättyi	Ilmoittaa nykyisen ohjelman päättyneen.
	AddWash-hälytys (vain tietyissä malleissa)	Ilmoittaa uuden pyykin lisäämisestä.
	Koneeseen jäänyt pyykkiä (vain tietyissä malleissa)	Ilmoittaa pyykistä, joka on jäänyt koneeseen ohjelman päättyttyä.

Toiminnot

Luokka	Tarkistuskohte	Kuvaus
Q-Rator	Pyykkiresepti *	Valitsemalla kankaan tyyppin, värin ja likaisuusasteen saat suosituksia valinnoista ja pesuohjelmista, jotka voit käynnistää heti.
	Pyykkisuunnittelija *	Voit asettaa haluamasi ajan pesuohjelman päättymiselle. Kun olet asettanut haluamasi ajan, saat suosituksen ohjelmasta, joka päättyy asettamasi aikana ja voit käynnistää tai varata suositellun ohjelman.
	HomeCare-toiminto *	Tuottaa säännöllisesti koneen toimintatilan analyysin sisältävän raportin käyttäjän asettamalla tiheydellä (viikon/kuukauden välein). Voit hyödyntää tätä säännöllistä raporttia, kun tarkastelet käyttötapasi, huoltotarpeita ja energiankulutusta ** asetettuna ajanjaksona.
	* Vaatii "SmartThings"-sovelluksen, joka on saatavissa Android- ja iOS-järjestelmiin. Rekisteröinti pakollinen. ** Vain viitteellisiä tuloksia.	

Avoimen lähdekoodin ilmoitus

Tuotteen sisältämä ohjelma sisältää avoimen lähdekoodin ohjelman. Voit saada täydellisen avoimen lähdekoodin kolmen vuoden ajaksi alkaen tuotteen viimeisestä toimituspäivästä lähettämällä sähköpostia osoitteeseen mailto:oss.request@samsung.com.

On myös mahdollista saada täydellinen vastaava lähdekoodi fyysisessä välineessä, kuten CD-ROM; minimaalinen maksu peritään.

Seuraavasta URL-osoitteesta http://opensource.samsung.com/opensource/SMART_AT_051/seq/O pääset lähdekoodin lataussivulle ja avoimen lähdekoodin tähän tuotteeseen liittyviin käyttöoikeustietoihin. Tämä tarjous on voimassa kaikille tämän tiedon vastaanottajille.



HUOMAUTUS

Samsung Electronics vakuuttaa täten, että radiolaitetyyppinen laite on direktiivin 2014/53/EU mukainen. EU-vaatimustenmukaisuuslausekkeen täydellinen teksti on seuraavassa Internet-osoitteessa: Virallinen vaatimustenmukaisuusvakuutus on osoitteessa <http://www.samsung.com>, siirry kohtaan Tuki > Hae tuotetuki ja anna mallin nimi.

Suurin Wi-Fi-lähetysteho: 20 dBm taajuusalueella 2,412-2,472 GHz

Kunnossapito

Pidä pyykinpesukone puhtaana, jotta sen toiminta ei heikkene ja jotta se kestää käytössä mahdollisimman pitkään.

Eco drum clean

Käytä tätä ohjelmaa säännöllisesti rummun puhdistukseen poistamalla siitä bakteerit. Tämä ohjelma lämmittää veden 60–70 °C:een, ja se poistaa myös luukun kumitiivisteeseen kertyneen lian.

1. Kytke pesukone päälle painamalla **Virta**-painiketta.
2. Valitse **ECO DRUM CLEAN** kiertämällä **ohjelmanvalitsinta**.
3. Paina ja pidä **Käynnistys/Keskeyty**s (käynnistuksen pysäytys).

HUOMIO

Älä käytä mitään puhdistusaineita rummun puhdistukseen. Kemikaalijäämät rummussa voivat aiheuttaa vaurioita pyykkiin tai pyykinpesukoneen rumpuun.

ECO DRUM CLEAN-muistutus

- **ECO DRUM CLEAN**-muistutus tulee päänäyttöön 40 pesun välein. **ECO DRUM CLEAN**-ohjelmaa on hyvä käyttää säännöllisesti.
- Kun näet tämän muistutuksen ensimmäisen kerran, voit hylätä muistutuksen enintään 6 peräkkäisessä pesussa. Seitsemännen pesun jälkeen muistutusta ei enää tule. Se tulee kuitenkin näkyviin, kun toiset 40 pesua on tehty.

Smart Check

Jotta voit ottaa tämän toiminnon käyttöön, sinun on ensin ladattava Samsung Smart Washer Play Store- tai App Store -luettelosta ja asennettava se mobiililaitteeseen, jossa on kamera.

Älykäs tarkistustoiminto on optimoitu Galaxy- ja iPhone-sarjalle (vain tietyille malleille).

1. Tietokoodi ilmestyy näyttöön, kun pyykinpesukone tunnistaa tarkistettavan ongelman. Pääset Smart Check -tilaan painamalla ja pitämällä painikkeita **Huuhtelu** ja **Linkous** samanaikaisesti 3 sekunnin ajan.
2. Pesukone käynnistää itsediagnoosiohjelman ja näyttää näyttökoodit, jos ongelma tunnistetaan.
3. Käynnistä Samsung Smart Washer -sovellus mobiililaitteessa ja napauta Smart Check -vaihtoehto.
4. Laita mobiililaitte pyykinpesukoneen näytön lähelle niin, että älypuhelimien kamera ja pyykinpesukone ovat vastakkain. Sovellus tunnistaa näin näyttökoodin automaattisesti.
5. Kun näyttökoodi on tunnistettu oikein, sovellus antaa ongelman tarkat tiedot ja käytettävissä olevat ratkaisut.

HUOMAUTUS



- Toiminnon nimi Smart Check voi vaihdella kielen mukaan.
- Jos pyykinpesukoneen näytöstä heijastuu valoa, sovellus ei ehkä tunnista näyttökoodia.
- Jos sovellus ei tunnista Smart Check -koodia toistuvista yrityksistä huolimatta, syötä näyttökoodi manuaalisesti sovelluksen näyttöön.

Kunnossapito

Kuivausohjelman käyttäminen

Kaikki kuivatusvalinnat, lukuun ottamatta Aikakuivausta, tunnistavat pyykin painon näyttääkseen tarkemman kuivausajan ja kuivataksaan pyykin tehokkaammin.

Katso alla olevaa kaaviota ja valitse pyykin laatuun ja määrään sekä haluamaasi kuivusasteeseen perustuva vaihtoehto.

Ohjelma	Kuivausvalinta	Käyttö	Pyykin määrä (kg)	
			KUIVAUS PUUVILLA	KUIVAUS SYNTEETTISET
Automaattinen kuivaus	 Kaappikuivaus	Käytä tätä valintaa puuvillan, alusvaatteiden ja liinavaatteiden kuivaamiseen.	5 kg	3 kg
Käsikuivaus	 Aikakuivaus	Käytä tätä valintaa pyykin kuivaukseen tietyssä ajassa, joka riippuu kuiduista, pyykin määrästä ja kosteudesta.	30~270 min (30 minuutin askelin).	30~270 min (30 minuutin askelin).

HUOMAUTUS

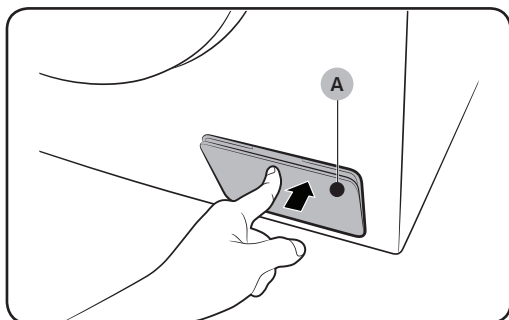
- Kuivaustulos vaihtelee riippuen valitusta pesuohjelmasta ja pyykin tyypistä/määrästä.
- Jos sekä pesu- että kuivausohjelma ovat valittuina, linkousnopeus asetetaan automaattisesti parantamaan kuivaustehoa.
- Jos haluat kuivata pyykkiä käsipesun jälkeen, valitse linkousohjelma kääntämällä toimintovalitsinta ja valitse sitten kuivausvaihtoehto parhaan tuloksen saamiseksi.
- Kun kuivausvaihe on päättynyt, voi rumpukalvoon jäädä pölyä vaatteiden kuivista pinnoista. Tämä johtuu silitysvaihtokoneesta, joka estää rypistymistä. Pöly peseytyy pois seuraavalla pesukerralla. Voit myös poistaa sen helposti kostealla pyyhkeellä tai liinalla.

HUOMIO

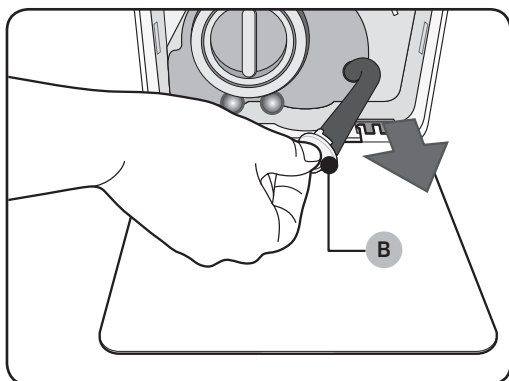
- Älä käytä kuivaustoimintoa, jos olet käyttänyt pyykkiin kloorivalkaisuainetta pesun aikana. Pyykki saattaa muutoin värjäytyä tai materiaalit saattavat vahingoittua.
- Älä käytä kuivaustoimintoa vaatteille, joissa on turkisvuori tai jotka on valmistettu akryylistä. Tämä heikentää kuivaustoimintoa.
- Älä kosketa rummun sisäpuolta tai pesukoneen pintoja kuivauksen aikana tai välittömästi sen jälkeen, sillä ne ovat kuumia. Tämä voi aiheuttaa palovammoja.

Hätätyhjennys

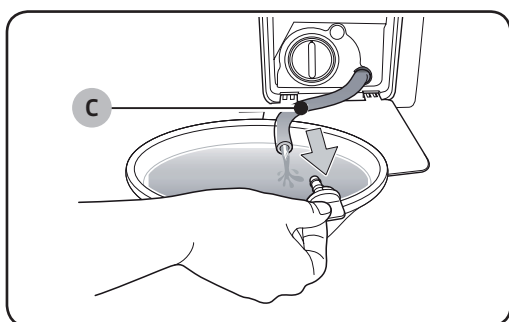
Sähkökatkoksen sattuessa tyhjennä vesi rummusta, ennen kuin otat pyykin ulos.



1. Kytke pesukone pois päältä ja irrota pistoke seinäpistorasiasta.
2. Avaa **suodattimen kansi (A)** painamalla kevyesti sen yläosaa.



3. Aseta tyhjä, suurikokoinen astia suojuksen lähelle ja vedä hätätyhjennysletku astiaan pitäen samalla kiinni **letkun tulpasta (B)**.



4. Avaa letkun tulppa ja anna veden valua **Hätätyhjennysputkesta (C)** astiaan.
5. Sulje letkun tulppa ja aseta letku takaisin paikalleen. Sulje sitten sihdin kansi.

HUOMAUTUS

Käytä suurikokoista astiaa, koska rummussa voi olla odotettua enemmän vettä.

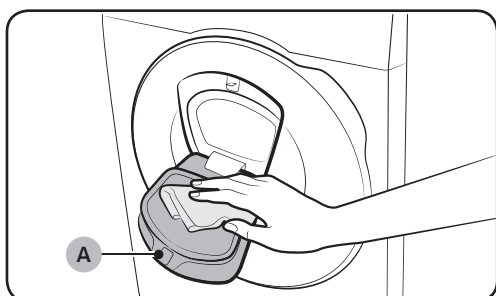
Kunnossapito

Puhdistus

Pyykinpesukoneen pinta

Käytä pehmeää liinaa ja hankaamatonta kodinpuhdistusainetta. Älä suihkuta vettä pyykinpesukoneen päälle.

Add Door



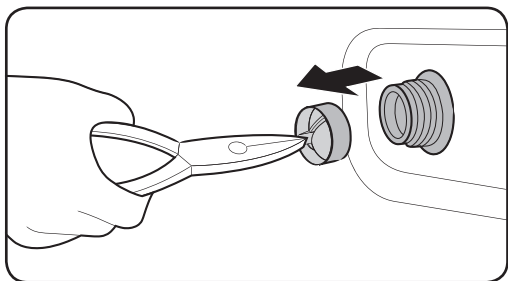
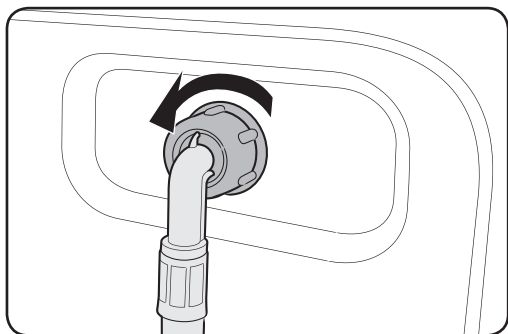
1. Avaa Add Door.
2. Käytä kosteaa liinaa ja puhdistusta Add Door.
 - Älä käytä puhdistusaineita. Ne voivat aiheuttaa värinmuutoksia.
 - Ole varovainen, kun puhdistat kumitiivistettä ja lukitusmekanismeja (A).
 - Pyyhi pöly pois lasialueelta säännöllisesti.
3. Pyyhi ja sulje Add Door, kunnes kuulet napsahdavan äänen.

HUOMIO

- Älä käytä voimaa painaessasi Add Door. Se saattaa vioittua.
- Älä jätä Add Door avoimeksi, kun kone on käynnissä.
- Älä aseta painavia esineitä Add Door päälle milloinkaan.
- Älä kosketa Add Door silloin, kun rumpu pyörii välttääksesi fyysiset vammat.
- Älä avaa Add Door, kun kone on käynnissä. Se saattaa aiheuttaa fyysisen vamman.
- Älä käsittele ominaisuuspaneelia silloin, kun Add Door on auki. Se saattaa aiheuttaa fyysisen vamman tai järjestelmähäiriön.
- Älä laita koneeseen muuta kuin pyykkiä.
- Älä laita rumpuun isoja kohteita Add Door kautta.
- Älä vedä Add Door-kumitiivisteitä puhdistamisen aikana. Se saattaa aiheuttaa vaurioita.

Verkkosuodatin

Puhdista vedensyöttöletkun verkkosuodatin kerran tai kaksi vuodessa.



1. Katkaise pyykinpesukoneesta virta ja irrota virtajohto.
2. Sulje vesihana.
3. Löysää vedensyöttöletku ja irrota se pyykinpesukoneen takaa. Peitä letku liinalla, jotta vesi ei suihkua siitä ulos.
4. Vedä sihti pihdeillä ulos veden tuloventtiilistä.
5. Upota sihti syvälle veteen niin, että myös kierreliitin on veden alla.
6. Kuivaa verkkosuodatin täysin kuivaksi varjossa.
7. Aseta sihti takaisin tuloventtiiliin ja yhdistä vesiletku tuloventtiiliin.
8. Avaa vesihana.

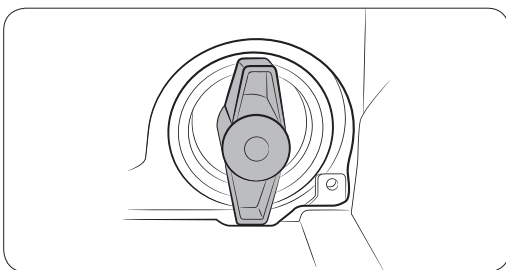
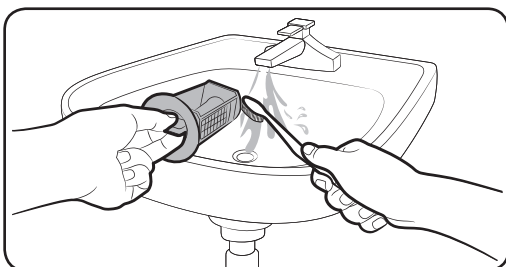
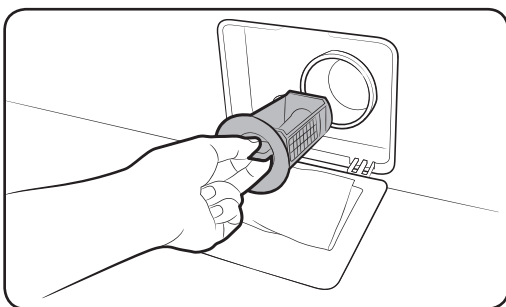
HUOMAUTUS

Jos verkkosuodatin on tukkeutunut, näyttöön tulee virhekoodi "4C".

Kunnossapito

Pumpun sihti

Pumpun sihti on hyvä puhdistaa 5 tai 6 kertaa vuodessa, jotta se ei tukkeudu. Tukkeutunut pumpun sihti voi vähentää kuplavaikutusta.



1. Katkaise pyykinpesukoneesta virta ja irrota virtajohto.
2. Tyhjennä rummun sisälle jäänyt vesi. Katso lisätietoja kohdasta "Hätätyhjennys".
3. Avaa suodattimen kansi painamalla kevyesti sen yläosaa.
4. Käännä pumpun sihdin nuppia vasemmalle ja tyhjennä loput vedestä.
5. Puhdista pumpun sihti pehmeällä harjalla. Varmista, että suodattimen sisällä oleva tyhjennospumpun juoksupyörä ei ole tukkeutunut.
6. Aseta pumpun sihti takaisin paikalleen ja käännä sihdin nuppia oikealle.

HUOMAUTUS

- Joissakin pumpun sihteissä on turvanappi, jonka tarkoituksena on estää lasten aiheuttamat onnettomuudet. Avaa pumpun sihdin turvanappi painamalla se sisään ja kääntämällä sitä vastapäivään. Turvanupin jousimekanismi auttaa avaamaan sihdin.
- Sulje pumpun sihdin turvanappi kääntämällä sitä myötäpäivään. Jousesta kuuluu rätisevä ääni, mikä on normaalia.

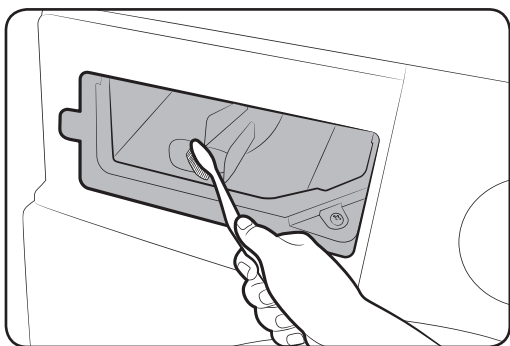
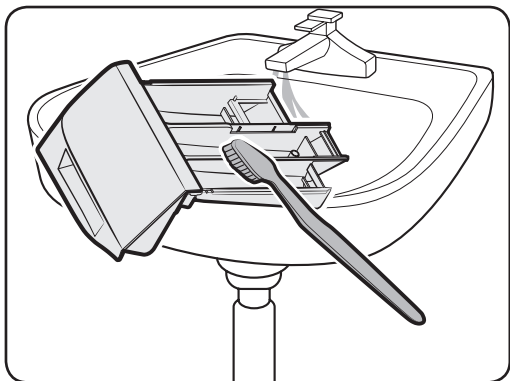
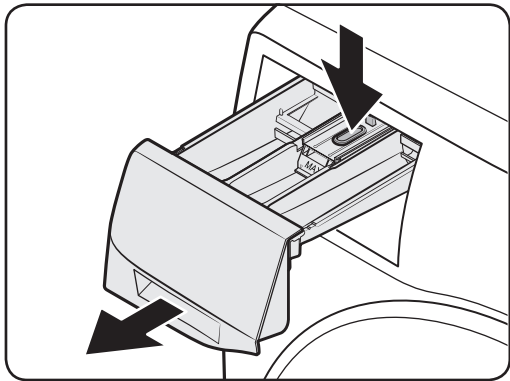
HUOMAUTUS

Jos pumpun sihti on tukkeutunut, näyttöön tulee virhekoodi "5C".

HUOMIO

- Varmista suodattimen puhdistuksen jälkeen, että suodattimen korkki on suljettu kunnolla. Muutoin se voi vuotaa.
- Varmista suodattimen puhdistuksen jälkeen, että se on asetettu oikein takaisin paikalleen. Muutoin seurauksena voi olla toimintahäiriö tai vuoto.

Pesuainelokero



1. Pidä lokeron sisällä olevaa vapautusvipua painettuna ja liu'uta samalla lokero auki.

2. Puhdista laatikon osat juoksevilla vedellä ja pehmeällä harjalla.

3. Puhdista laatikon syvennys pehmeällä harjalla.

4. Aseta vapautusvipua ja nestemäisen pesuaineen astia takaisin laatikkoon.

5. Sulje laatikko liu'uttamalla se sisään.

HUOMAUTUS

Voit poistaa jäljelle jääneen pesuaineen käynnistämällä **HUUHTELU+LINKOUS** -ohjelman rummun ollessa tyhjä.

Kunnossapito

Toimenpiteet jäätyneen jälkeen

Pyykinpesukone voi jäätyä, kun sen lämpötila laskee alle 0 °C:n.

1. Katkaise pyykinpesukoneesta virta ja irrota virtajohto.
2. Kaada lämmintä vettä vesihanan päälle, jotta saat löysättyä vedensyöttöletkun.
3. Irrota vedensyöttöletku ja liota sitä lämpimässä vedessä.
4. Kaada lämmintä vettä rumpuun ja jätä se sinne noin 10 minuutiksi.
5. Liitä vedensyöttöletku takaisin vesihanaan.

HUOMAUTUS

Jos pyykinpesukone ei toimi vielääkään normaalisti, toista edellä kuvatut toimenpiteet, kunnes se toimii normaalisti.

Hoito pitkien käyttötaukojen aikana


Vältä pyykinpesukoneen pitkiä käyttötaukoja. Jos pyykinpesukonetta ei käytetä pitkään aikaan, valuta siitä vesi pois ja irrota virtajohto.

1. Valitse **HUUHTELU+LINKOUS** kiertämällä **ohjelmanvalitsinta**.
2. Tyhjennä rumpu ja paina ja pidä **Käynnistys/Keskeytys (käynnistyksen pysäytys)**.
3. Kun ohjelma on valmis, sulje vesihana ja irrota vedensyöttöletku.
4. Katkaise pyykinpesukoneesta virta ja irrota virtajohto.
5. Avaa luukku, jotta ilma kiertää rummussa.

Vianetsintä

Tarkistuskohteet

Jos pyykinpesukoneen käytössä on ongelma, tarkista ensin alla oleva taulukko ja kokeile ehdotettuja toimia.


Ongelma	Korjaustoimi
Kone ei käynnisty.	<ul style="list-style-type: none">Varmista, että pesukoneen verkkojohto on kiinnitetty pistorasiaan.Varmista, että luukku on suljettu kunnolla.Varmista, että vesihana on auki.Muista käynnistää pyykinpesukone painamalla tai napauttamalla Käynnistys/Keskeytyks (käynnistyksen pysäytys).Varmista, ettei Lapsilukko  ole päällä.Ennen kuin pesukone alkaa täyttyä, siitä kuuluu naksahdelevia ääniä, jolloin kone tarkistaa luukun lukituksen ja tekee pikatyhjennyksen.Tarkista sulake tai nollaa suojakatkaisija.
Vettä ei tule riittävästi tai vettä ei tule ollenkaan koneeseen.	<ul style="list-style-type: none">Avaa vesihana.Varmista, että luukku on suljettu kunnolla.Varmista, ettei vesiletku ole jäänyt.Varmista, ettei veden tuloletku ole kierteellä tai tukossa.Varmista, että vedenpaine on riittävä.
Pesuainelokeroon jää pesuainetta pesuohjelman jälkeen.	<ul style="list-style-type: none">Varmista, että vesi virtaa tarpeeksi kovalla paineella.Varmista, että pesuaine on lisätty pesuainelokeroon keskelle.Varmista, että huuhtelutulppa on asetettu kunnolla.Jos käytät raemaista pesuainetta, varmista, että pesuainevalitsin on yläasennossa.Poista huuhtelutulppa ja puhdista pesuainelokero.
Kone tärisee liikaa tai siitä kuuluu ääniä.	<ul style="list-style-type: none">Varmista, että pesukone on asennettu tasaiselle, vakaalle lattialle, joka ei ole liukas. Jos lattia ei ole tasainen, säädä pesukoneen korkeutta käyttämällä säätäjalkoja.Varmista, että rummun kuljetuspultit on poistettu.Varmista, ettei pesukone nojaa mitään esinettä vasten.Varmista, että pyykki on asetettu rumpuun tasaisesti.Moottori voi aiheuttaa ääniä normaalin toiminnan aikana.Haalarit tai metallikoristeiset vaatteet voivat aiheuttaa ääniä, kun niitä pestään. Tämä on normaalia.Metalliesineet, kuten kolikot, voivat aiheuttaa ääniä. Poista nämä esineet rummusta tai sihtikotelosta pesun jälkeen.

Vianetsintä

Ongelma	Korjaustoimi
Kone ei tyhjenny ja/ tai linkoa.	<ul style="list-style-type: none">• Varmista, että tyhjennysletku on suoristettuna koko matkan viemäriin asti. Jos kone ei tyhjene kokonaan, ota yhteyttä huoltoliikkeeseen.• Varmista, ettei nukkasihti ole tukossa.• Sulje luukku ja paina tai napauta Käynnistys/Keskeytys (käynnistyksen pysäytys). Pesukone ei käyttäjän turvallisuuden takia kuivaa, eikä linkoa ennen kuin luukku on kiinni.• Varmista, ettei tyhjennysletku ole jäänyt tai tukossa.• Varmista, että tyhjennysletku on liitetty viemärijärjestelmään, joka ei ole tukossa.• Jos pesukone ei saa riittävästi virtaa, se ei tilapäisesti tyhjennä tai linkoa. Hetki kun pesukoneen virransaanti on riittävä, se toimii normaalisti.
Luukku ei aukea.	<ul style="list-style-type: none">• Pysäytä pesukone painamalla tai napauttamalla Käynnistys/Keskeytys (käynnistyksen pysäytys).• Luukun lukkomekanismin vapautuminen saattaa kestää hetken.• Luukku ei avaudu kolmeen minuuttiin pesukoneen pysäyttämisen ja virran sammuttamisen jälkeen.• Varmista, että rumpu on tyhjennetty kaikesta vedestä.• Luukku ei ehkä aukea, jos rumpuun on jäänyt vettä. Tyhjennä rumpu ja avaa luukku käsin.• Varmista, että luukun lukituksen valo on sammunut. Luukun lukituksen valo sammuu, kun pesukone on tyhjentynyt vedestä.
Liikaa vaahtoa.	<ul style="list-style-type: none">• Varmista, että käytät suositeltua pesuainetta.• Käytä tehokasta (HE) pesuainetta liiallisen vaahtoamisen estämiseksi.• Vähennä pesuaineen määrää, jos vesi on pehmeää, pyykkiä on vähän tai se on vain vähän likaista.• Emme suosittele muita kuin HE-pesuaineita.
Pesuaineen lisääminen ei onnistu.	<ul style="list-style-type: none">• Varmista, ettei pesuaineen määrä tai huuhteluaineen määrä ole yli merkityn rajan.

Ongelma	Korjaustoimi
Kone pysähtyy.	<ul style="list-style-type: none"> • Yhdistä virtajohto jännitteelliseen seinäpistorasiaan. • Tarkista sulake tai nollaa suojakatkaisija. • Sulje luukku ja käynnistä pesukone painamalla tai napauttamalla Käynnistys/Keskeytys (käynnistyksen pysäytys). Pesukone ei käyttäjän turvallisuuden takia kuivaa, eikä linkoa ennen kuin luukku on kiinni. • Ennen kuin pesukone alkaa täyttyä, siitä kuuluu nakshtelevia ääniä, jolloin kone tarkistaa luukun lukituksen ja tekee pikatyhjennyksen. • Pesuohjelmassa saattaa olla tauko tai liotusvaihe. Odota hetki, pesukone voi käynnistyä. • Varmista, ettei veden tuloletkun sihti hanassa ole tukossa. Puhdista sihti säännöllisin väliajoin. • Jos pesukone ei saa riittävästi virtaa, se ei tilapäisesti tyhjennä tai linkoa. Heti kun pesukoneen virransaanti on riittävä, se toimii normaalisti.
Täyttöveden lämpötila ei ole oikea.	<ul style="list-style-type: none"> • Avaa vesihana kokonaan. • Varmista, että lämpötilavalinta on oikea. • Varmista, että letkut on yhdistetty oikeisiin hanoihin. Huuhtelee vesiletkut. • Varmista, että vedenlämmitin syöttää vähintään 120 °F (49 °C):een vettä hanoihin. Tarkista vedenlämmittimen tilavuus ja palautumisnopeus. • Irrota letkut ja puhdista sihti. Sihti saattaa olla tukossa. • Kun kone täyttyy, veden lämpötila voi vaihdella, sillä automaattinen lämpötilan säätötoiminto tarkistaa tuloveden lämpötilaa. Tämä on normaalia. • Kun kone täyttyy, huomaat, että vain kuumaa ja/tai kylmää vettä kulkee annostelijan läpi, kun kylmä tai lämmin lämpötila on valittuna. Tämä on automaattisen lämpötilan säätötoiminnon normaali toiminto, sillä pesukone määrittää veden lämpötilaa.
Pyykki on märkää pesuohjelman päätyttyä.	<ul style="list-style-type: none"> • Käytä suurta tai erittäin suurta linkousnopeutta. • Käytä tehokasta (HE) pesuainetta liiallisen vaahtoamisen vähentämiseksi. • Pyykkimäärä on liian pieni. Pienet määrät (yksi tai kaksi vaatetta) saattavat asettua epätasaisesti, eivätkä ne linkoudu kunnolla. • Varmista, ettei poistoletku ole kierteellä tai tukossa.


Vianetsintä

Ongelma	Korjaustoimi
Vettä vuotaa.	<ul style="list-style-type: none">• Varmista, että luukku on suljettu kunnolla.• Varmista, että kaikki letkuliitännät ovat tiiviit.• Varmista, että tyhjennysletkun pää on asetettu ja kiinnitetty poistojärjestelmään.• Vältä ylitäyttöä.• Käytä tehokasta (HE) pesuainetta liiallisen vaahtoamisen estämiseksi.
Koneesta tulee hajua.	<ul style="list-style-type: none">• Liiallinen vaahto kerääntyy syvennyksiin ja voi aiheuttaa epämiellyttävää hajua.• Puhdista kone säännöllisesti puhdistusohjelmalla.• Puhdista luukun tiiviste (kalvo).• Kuivaa pesukoneen sisäpuoli, kun pesuohjelma on päättynyt.
Kuplia ei näy (vain kuplia tuottavat mallit).	<ul style="list-style-type: none">• Ylitäyttö saattaa seuloa kuplat.• Erittäin likainen pyykki ei ehkä tuota kuplia.
Voinko avata Add Door milloin tahansa?	<ul style="list-style-type: none">• Add Door voidaan avata vain silloin, kun -merkkivalo ilmestyy. Se ei kuitenkaan avaudu seuraavissa tapauksissa:<ul style="list-style-type: none">- Kun veden kiehumisprosessi tai kuivatusprosessi on käynnissä ja sisäinen lämpötila on korkea.- Jos olet turvallisuussyistä asettanut Lapsilukko-asetuksen päälle.- Kun rummun pesuohjelma tai rummun kuivatusohjelma on käynnissä, lisäpyykkiä ei voi lisätä.


Jos ongelma ei poistu, ota yhteys Samsungin paikalliseen huoltokeskukseen.


Näyttökoodit

Jos pyykinpesukone ei toimi, näytössä saattaa olla tietokoodi. Tarkista alla oleva taulukko ja kokeile ehdotettuja toimenpiteitä.

Koodi	Korjaustoimi
4C	<p>Vettä ei tule.</p> <ul style="list-style-type: none">• Varmista, että vesihana on auki.• Varmista, ettei vesiletku ole tukossa.• Varmista, ettei vesihana ole jäänyt.• Varmista, että pesukone toimii riittävällä vedenpaineella.• Varmista, että kylmävesihana ja kuumavesihana ovat oikein yhdistettyjä.• Puhdista sihti, se saattaa olla tukossa. <p> HUOMAUTUS Jos näytössä näkyy "4C"-koodi, kone tyhjentää vettä 3 minuuttia. Tänä aikana Virta-painike ei toimi.</p>
4C2	<ul style="list-style-type: none">• Varmista, että kylmävesiletku on kunnolla yhdistettynä kylmävesihanaan. <p>Jos se on yhdistettynä kuumavesihanaan, pyykki saattaa vääntyä joissakin pesuohjelmissa.</p>
5C	<p>Vesi ei tyhjene.</p> <ul style="list-style-type: none">• Varmista, ettei tyhjennysletku ole jäänyt tai tukossa.• Varmista, että tyhjennysletku on asetettu oikein liitännätavan mukaisesti.• Puhdista nukkasihhti, se saattaa olla tukossa.• Varmista, että tyhjennysletku on suoristettuna koko matkan viemäriin asti.• Jos näyttökoodi jää näkyviin, ota yhteys asiakaspalveluun.
DC	<p>Pesukoneen käyttäminen luukku avoinna.</p> <ul style="list-style-type: none">• Varmista, että luukku on suljettu kunnolla.• Varmista, ettei pyykkiä jää luukun väliin.
DC1	<p>Pääluukun lukitus/avaus ei toimi kunnolla.</p> <ul style="list-style-type: none">• Kytke pesukone pois päältä ja käynnistä ohjelma uudelleen.• Jos näyttökoodi jää näkyviin, ota yhteys asiakaspalveluun.

Vianetsintä

Koodi	Korjaustoimi
DC3	Add Door lukitus/avaus ei toimi kunnolla. <ul style="list-style-type: none">• Kytke pesukone pois päältä ja käynnistä ohjelma uudelleen.• Jos näyttökoodi jää näkyviin, ota yhteys asiakaspalveluun.
OC	Vettä tulvii yli. <ul style="list-style-type: none">• Käynnistä uudelleen linkouksen jälkeen.• Jos jokin näyttökoodi jää näyttöön, ota yhteys Samsungin paikalliseen huoltokeskukseen.
LC, LC1	Tarkista tyhjennysletku. <ul style="list-style-type: none">• Varmista, että tyhjennysletkun pää on asetettu lattialle.• Varmista, ettei tyhjennysletku ole tukossa.• Jos näyttökoodi jää näkyviin, ota yhteys asiakaspalveluun. <p> HUOMAUTUS Jos näytössä näkyy "LC,LC1"-koodi, kone tyhjentää vettä 3 minuuttia. Tänä aikana Virta-painike ei toimi.</p>
FC	Tarkasta puhaltimen moottori. <ul style="list-style-type: none">• Kytke kone pois päältä ja kytke se sitten päälle 2-3 minuutin kuluttua, yritä sitten uudelleen.
UB	Linkous ei toimi. <ul style="list-style-type: none">• Varmista, että pyykki on jakautunut tasaisesti.• Varmista, että pesukone seisoo tasaisella ja vakaalla alustalla.• Aseta pyykki uudelleen koneeseen. Jos pestään vain yksi vaatekappale, kuten kylpytakki tai farkut, viimeinen linkous voi jäädä epätäydelliseksi, ja näytössä näkyy virheviesti "UB".
3C	Tarkista moottorin toiminta. <ul style="list-style-type: none">• Kokeile aloittaa pesuohjelma uudelleen.• Jos näyttökoodi jää näkyviin, ota yhteys asiakaspalveluun.
3CP	Tarkista pulsaattorin moottorin toiminta. <ul style="list-style-type: none">• Kokeile aloittaa pesuohjelma uudelleen.• Jos näyttökoodi jää näkyviin, ota yhteys asiakaspalveluun.

Koodi	Korjaustoimi
UC	<p>Elektroniikkaohjaus on tarkastettava (ylijännitevika).</p> <ul style="list-style-type: none"> Tarkista piirilevy ja johtosarja. Tarkista virransyötön normaalius. Jos näyttökoodi jää näkyviin, ota yhteys asiakaspalveluun.
	<p>Matalajännite tunnistettu</p> <ul style="list-style-type: none"> Tarkista, onko virtajohto liitettynä. Jos näyttökoodi jää näkyviin, ota yhteys asiakaspalveluun.
HC	<p>Korkean lämpötilan tarkistus</p> <ul style="list-style-type: none"> Jos näyttökoodi jää näkyviin, ota yhteys asiakaspalveluun.
1C	<p>Vesitasoanturi ei toimi kunnolla.</p> <ul style="list-style-type: none"> Sammuta virta ja aloita pesuohjelma uudelleen. Tarkista vesitasoanturin johtosarja. Jos näyttökoodi jää näkyviin, ota yhteys asiakaspalveluun. <p> HUOMAUTUS Jos näytössä näkyy "1C"-koodi, kone tyhjentää vettä 3 minuuttia. Tänä aikana Virta-painike ei toimi.</p>
8C	<p>MEMS-anturi ei toimi kunnolla.</p> <ul style="list-style-type: none"> Kytke pesukone pois päältä ja käynnistä ohjelma uudelleen. Jos näyttökoodi jää näkyviin, ota yhteys asiakaspalveluun.
AC	<p>Tarkista liikenne pää-PBA:n ja ali-PBA:n välillä.</p> <ul style="list-style-type: none"> Sammuta virta ja aloita pesuohjelma uudelleen. Jos näyttökoodi jää näkyviin, ota yhteys asiakaspalveluun.
AC6	<p>Tarkista liikenne pää-PBA:n ja invertteri-PBA:n välillä.</p> <ul style="list-style-type: none"> Kone saattaa palata automaattisesti normaaliin toimintaan tilasta riippuen. Kytke pesukone pois päältä ja käynnistä ohjelma uudelleen. Jos näyttökoodi jää näkyviin, ota yhteys asiakaspalveluun.

Vianetsintä


























Koodi	Korjaustoimi
DDC, ddC	<p>Tämä viesti ilmestyy, kun avaat Add Door painamatta Käynnistys/Keskeytys (käynnistyksen pysäytys). Jos näin tapahtuu, tee jokin seuraavista:</p> <ul style="list-style-type: none">Sulje kunnolla painamalla Add Door. Yritä sitten uudelleen painamalla ja pitämällä Käynnistys/Keskeytys (käynnistyksen pysäytys).Voit lisätä pyykkiä avaamalla Add Door ja lisäämällä pyykin. Sulje Add door kunnolla. Käynnistä sitten toiminta uudelleen painamalla ja pitämällä Käynnistys/Keskeytys (käynnistyksen pysäytys).

Jos jokin tietokoodi tulee näyttöön toistuvasti, ota yhteys Samsungin paikalliseen huoltokeskukseen.

Tekniset tiedot

Materiaalien pesu- ja hoito-ohjeet

Oheiset symbolit antavat vaatteiden hoito-ohjeita. Hoito-ohjelapuissa on neljä symbolia tässä järjestyksessä: vesipesu, valkaisu, rumpukuivaus ja silitys (ja tarvittaessa kemiallinen pesu). Kuvien käyttö takaa yhtenevyyden kotimaisten ja ulkomaisten valmistajien vaatteiden välillä. Noudata hoito-ohjelappujen ohjeita, jotta vaate kestää käytössä mahdollisimman pitkään ja pyykinpesu sujuu ongelmitta.

	Kestävät materiaalit		Ei silitystä
	Arat materiaalit		Voidaan kuivapestä käyttämällä mitä tahansa ainetta
	Pesulämpötila 95 °C		Kemiallinen pesu
	Pesulämpötila 60 °C		Voidaan kuivapestä vain perkloridilla, sytyttimen polttoaineella, puhtaalla alkoholilla tai R113:lla
	Pesulämpötila 40 °C		Voidaan kuivapestä vain lentopolttoaineella, puhtaalla alkoholilla tai R113:lla
	Pesulämpötila 30 °C		Ei kuivapesua
	Vain käsinpesu		Kuivatus vaakatasossa
	Vain kuivapesu		Voidaan kuivattaa ripustamalla
	Valkaisu kylmässä vedessä		Kuivatetaan vaateripustimessa
	Ei valkaisua		Kuivatus kuivausrummussa normaalilla lämmöllä
	Silityslämpötila korkeintaan 200 °C		Kuivatus kuivausrummussa alhaisella lämmöllä
	Silityslämpötila korkeintaan 150 °C		Ei kuivatusta kuivausrummussa
	Silityslämpötila korkeintaan 100 °C		

Tekniset tiedot

Ympäristönsuojelu

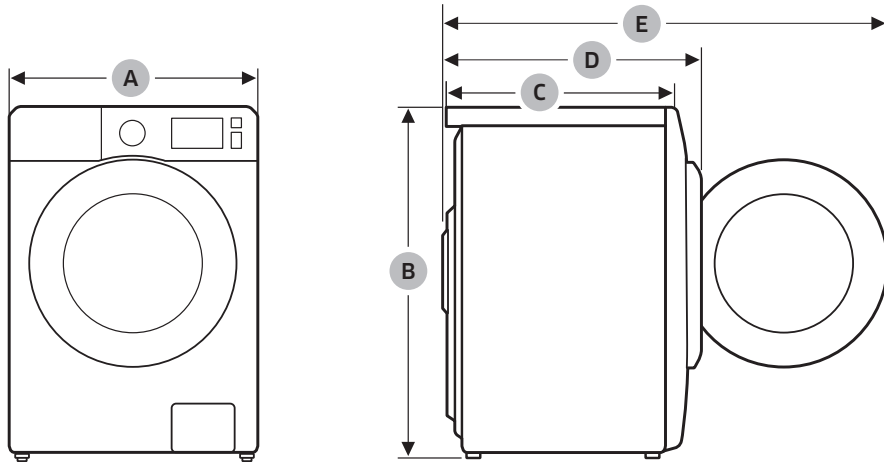
- Tämä pesukone on valmistettu kierrätettävistä materiaaleista. Jos päätät hävittää pesukoneen, ota selvää paikallisista jätemääräyksistä. Katkaise verkkojohto, jotta pesukonetta ei voi enää kytkeä mihinkään virtalähteeseen. Irrota luukku, jotta eläimet tai pienet lapset eivät jää koneen sisään loukkuun.
- Älä ylitä pesuaineen valmistajien ohjeissa mainittuja pesuainesuosituksia.
- Käytä tahrannoista- ja valkaisuainetta vain, jos se on välttämätöntä.
- Säästät vettä ja energiaa, jos peset vain täysiä koneellisia (tarkka pyykkimäärä riippuu käytettävästä ohjelmasta).

Tekniset tiedot

*** tähti (tähdet) merkitsevät eri malleja ja niiden paikalla voi olla numeroita (0-9) tai kirjaimia (A-Z).

Tyyppi		Edestä täytettävä pesukone	
Mallinimi		WD90N64****	WD80N64****
Mitat		L600 x S600 x K850 (mm)	
Vedenpaine		50-800 kPa	
Nettopaino		81,0 kg	81,0 kg
Rummun ja linkouksen täyttömäärä		9,0 kg	8,0 kg
Kapasiteetti		5,0 kg	5,0 kg
Virrankulutus	Pesu ja lämmitys	220 V	2000 W
		240 V	2400 W
	Kuivaus	220 V	1600 W
		240 V	1900 W
Linkousnopeus		1400 r/min	

Tekniset tiedot



A	600 mm
B	850 mm
C	600 mm
D	680 mm
E	1115 mm

HUOMAUTUS

Suunnittelua ja teknisiä tietoja voidaan muuttaa ilman erillistä ilmoitusta laadun parantamiseksi.

Kotitalouksien kuivaavien pyykinpesukoneiden taulukko

Asetuksen (EU) No. 96/60/EY mukainen

*** tähti (tähdet) merkitsevät eri malleja ja niiden paikalla voi olla numeroita (0-9) tai kirjaimia (A-Z).

Samsung		
Mallinimi	WD90N64****	
Energiatehokkuusluokka		
A (tehokkain)...G (vähiten tehokas)	A	
Energiankulutus		
Pesu, linkous ja kuivaus	kWh	6,12
Vain pesu ja linkous	kWh	1,17
Pesutulosluokka		
A (tehokkain)...G (vähiten tehokas)	A	
Linkousteholuokka		
A (tehokkain)...G (vähiten tehokas)	A	
Jäännöskosteus	%	44
Maksimilinkousnopeus	r/min	1400
Kapasiteetti		
Pesu	kg	9,0
Kuivaus	kg	5,0
Vedenkulutus		
Pesu, linkous ja kuivaus	ℓ	126
Vain pesu ja linkous	ℓ	54
Koko ohjelman kesto-aika (60 °C:een puuvillaohjelmaa ja "kuiva puuvilla"- kuivausohjelmaa käyttäen nimellistyyttömäärällä)		
Pesu, linkous ja kuivaus	min	689
Vain pesu ja linkous	min	254
Ohjelmat, joita hoito-ohjelman ja taulukon tiedot koskevat	Pesu	Puuvilla 60 °C + Tehopesu
	Kuivaus	KUIVAUS PUUVILLA
Arvioitu vuosikulutus nelihenkisessä taloudessa, jossa pyykki kuivataan aina koneessa (200 pesukertaa)		
Energiankulutus	kWh/vuosi	1224
Vedenkulutus	ℓ	25200
Arvioitu vuosikulutus nelihenkisessä taloudessa, jossa pyykkiä ei koskaan kuivata koneessa (200 pesukertaa)		
Energiankulutus	kWh/vuosi	234
Vedenkulutus	ℓ	10800

Tekniset tiedot

Melu, kun käytetään 60 °C:en vakiopuuvillaohjelmaa ja "kuiva puuvilla"-kuivausohjelmaa		
Pesu	dB (A) re 1 pW	49
Linkous	dB (A) re 1 pW	73
Kuivaus	dB (A) re 1 pW	62

Kuivauksen energiankulutustiedot on mitattu standardissa EN50229 määritettyjen olosuhteiden mukaisesti.

- Ensimmäinen kuivaus tulee suorittaa 5 kg:n täytöllä (pyykki sisältää: 2 lakanaa ja 6 tyynyliinaa ja 18 pyyhettä) valiten KUIVAUS PUUVILLA + Linkous;
- Toinen kuivaus tulee suorittaa 4 kg:n täytöllä (pyykki sisältää: 2 lakanaa ja 8 tyynyliinaa ja 5 pyyhettä) valiten KUIVAUS PUUVILLA + Linkous;
(1 tai 2 pyyhettä voidaan lisätä tai poistaa painon täsmäämiseksi.)

Kotitalouksien kuivaavien pyykinpesukoneiden taulukko

Asetuksen (EU) No. 96/60/EY mukainen

*** tähti (tähdet) merkitsevät eri malleja ja niiden paikalla voi olla numeroita (0-9) tai kirjaimia (A-Z).

Samsung		
Mallinimi	WD80N64****	
Energiatehokkuusluokka		
A (tehokkain)...G (vähiten tehokas)	A	
Energiankulutus		
Pesu, linkous ja kuivaus	kWh	5,44
Vain pesu ja linkous	kWh	1,04
Pesutulosluokka		
A (tehokkain)...G (vähiten tehokas)	A	
Linkousteholuokka		
A (tehokkain)...G (vähiten tehokas)	A	
Jäännöskosteus	%	44
Maksimilinkousnopeus	r/min	1400
Kapasiteetti		
Pesu	kg	8,0
Kuivaus	kg	5,0
Vedenkulutus		
Pesu, linkous ja kuivaus	ℓ	112
Vain pesu ja linkous	ℓ	48
Koko ohjelman kestoaika (60 °C:een puuvillaohjelmaa ja "kuiva puuvilla"- kuivausohjelmaa käyttäen nimellistäytymäärällä)		
Pesu, linkous ja kuivaus	min	664
Vain pesu ja linkous	min	254
Ohjelmat, joita hoito-ohjelman ja taulukon tiedot koskevat	Pesu	Puuvilla 60 °C + Tehopesu
	Kuivaus	KUIVAUS PUUVILLA
Arvioitu vuosikulutus nelihenkisessä taloudessa, jossa pyykki kuivataan aina koneessa (200 pesukertaa)		
Energiankulutus	kWh/vuosi	1088
Vedenkulutus	ℓ	22400
Arvioitu vuosikulutus nelihenkisessä taloudessa, jossa pyykkiä ei koskaan kuivata koneessa (200 pesukertaa)		

Tekniset tiedot

Energiankulutus	kWh/vuosi	208
Vedenkulutus	ℓ	9600
Melu, kun käytetään 60 °C:en vakiopuuvillaohjelmaa ja "kuiva puuvilla"-kuivausohjelmaa		
Pesu	dB (A) re 1 pW	49
Linkous	dB (A) re 1 pW	73
Kuivaus	dB (A) re 1 pW	62

Kuivauksen energiankulutustiedot on mitattu standardissa EN50229 määritettyjen olosuhteiden mukaisesti.

- Ensimmäinen kuivaus tulee suorittaa 5 kg:n täytöllä (pyykki sisältää: 2 lakanaa ja 6 tyynyliinaa ja 18 pyyhettä) valiten KUIVAUS PUUVILLA + Linkous;
- Toinen kuivaus tulee suorittaa 3 kg:n täytöllä (pyykki sisältää: 1 lakanaa ja 6 tyynyliinaa ja 7 pyyhettä) valiten KUIVAUS PUUVILLA + Linkous; (1 tai 2 pyyhettä voidaan lisätä tai poistaa painon täsmäämiseksi.)



KYSYMYKSIÄ TAI PALAUTETTA?

MAA	SOITA	TAI VIERAILE VERKKOSIVUILLAMME
NORWAY	815 56480	www.samsung.com/no/support
DENMARK	70 70 19 70	www.samsung.com/dk/support
FINLAND	030-6227 515	www.samsung.com/fi/support
SWEDEN	0771 726 786	www.samsung.com/se/support



DC68-03924J-00



Vaskemaskine



Brugervejledning

WD90N6**** / WD80N6****

SAMSUNG

Indhold

Sikkerhedsinformationer	4
<hr/>	
Dette skal du vide om sikkerhedsinstruktionerne	4
Vigtige sikkerhedssymboler	4
Vigtige forholdsregler for sikkerheden	5
Instruktioner om WEEE	15
Installation	16
<hr/>	
Hvad medfølger	16
Forudsætninger for installation	18
Trin for trin installation	20
Inden du går i gang	28
<hr/>	
Indledende indstillinger	28
Retningslinjer for vasketøj	28
Retningslinjer for sæbeskuffe	31
Betjening	34
<hr/>	
Betjeningspanel	34
Simple trin for start	36
Programoversigt	38
Særlige funktioner	42
Indstillinger	44
SmartThings	45

Vedligehold	50
Eco drum clean 	50
Smart Check 	51
Brug af tørringsprogrammet	52
Nødafledning	53
Rengøring	54
Meshfilter	55
Gendannelse efter frost	58
Eftersyn efter lang tid uden brug	58
Fejlfinding	59
Kontrolpunkter	59
Informationskoder	63
Specifikationer	67
Oversigt over stoffer og behandlingen af dem	67
Beskyttelse af miljøet	68
Specifikationer	69



Sikkerhedsinformationer

Tillykke med din nye vaskemaskine fra Samsung. Denne brugsanvisning indeholder information om installation, brug og vedligeholdelse af maskinen. For at du skal få størst mulig gavn af din vaskemaskine anbefaler vi, at du læser denne brugsanvisning før maskinen tages i brug.

Dette skal du vide om sikkerhedsinstruktionerne

Læs denne vejledning omhyggeligt for at sikre, at du ved, hvordan du sikkert og effektivt bruger de omfattende muligheder og funktioner i dit nye apparat. Gem vejledningen et sikkert sted tæt på apparatet til senere brug. Maskinen må kun bruges til maskinvask i henhold til anvisninger beskrevet i denne manual.

Advarsler og vigtige sikkerhedsinstruktioner, der findes i manualen, dækker ikke alle mulige foranstaltninger og situationer, der kan finde sted. Det er dit ansvar at udvise almindelig fornuft, agtpågivenhed og omhu ved installation, vedligeholdelse og brug af din vaskemaskine.

Da følgende betjeningsinstruktioner omfatter forskellige modeller, kan egenskaberne ved din vaskemaskine være lidt anderledes end de, der beskrives i denne vejledning, og alle advarselstegn er måske ikke relevante. Hvis du har spørgsmål, bedes du kontakte dit nærmeste servicecenter eller finde hjælp og information online på www.samsung.com.

Vigtige sikkerhedssymboler

Hvad betyder ikoner og tegn brugt i manualen:

 **ADVARSEL**

Farlige eller uforsvarlige fremgangsmåder kan resultere i **alvorlige personskader, død og/eller ejendomsskader**.

 **FORSIGTIG**

Farlige eller uforsvarlige fremgangsmåder kan resultere i **alvorlige personskader og/eller ejendomsskader**.

 **BEMÆRK**

Indikerer risiko for personskade eller materiel skade.

 **Læs instruktionerne**



Disse advarselstegn er her for at undgå skade på dig selv og andre.

Følg dem nøje.

Når du har læst denne vejledning, skal du gemme den et sikkert sted for fremtidig reference.

Læs alle instruktioner før maskinen tages i brug.

Som ved alt elektrisk udstyr med bevægelige dele er der en potentiel farerisiko. For sikkert at kunne betjene apparatet skal du kende dets funktioner og være forsigtig under brug.

Vigtige forholdsregler for sikkerheden

ADVARSEL

For at nedsætte risikoen for brand, el-stød eller personskade, når du bruger dit apparat, skal du følge følgende grundlæggende forholdsregler, inkl. følgende:

- 1.** Denne maskine må ikke bruges af personer (herunder børn) med fysiske, sansemæssige eller psykiske handicap eller personer, som mangler erfaring og viden, medmindre de er under opsyn eller er blevet instrueret i anvendelsen af maskinen af en person, der har ansvaret for deres sikkerhed.
- 2. Til brug i Europa:** Dette apparat kan anvendes af børn med en alder på mindst 8 år og af personer med fysiske, sansemæssige eller psykiske handicap eller manglende erfaring og viden, hvis de har fået instruktion i at anvende apparatet på en sikker måde og forstår, der er involveret en farerisiko. Børn må ikke lege med apparatet. Rengøring og vedligeholdelse må ikke udføres af børn uden opsyn.
- 3.** Børn skal være under opsyn, så de ikke leger med maskinen.
- 4.** Hvis netledningen er beskadiget, skal den udskiftes af producenten eller dennes servicerepræsentant eller en tilsvarende kvalificeret person for at undgå fare.



Sikkerhedsinformationer

5. De nye slangesæt der følger med maskinen skal bruges og gamle slangesæt bør ikke genbruges.
6. For apparater med ventilationsåbninger i bunden må et gulvtæppe ikke blokere åbningerne.
7. **Til brug i Europa:** Børn på mindre end 3 år bør holdes væk medmindre de er under konstant overvågning.
8. **FORSIGTIG:** For at undgå fare grundet utilsigtet nulstilling af termosikringen, må denne maskine ikke forsynes gennem en ekstern kontaktnordning såsom en timer, eller forbindes til et kredsløb der jævnligt slukkes eller tændes af anordningen.
9. Tørretumbleren skal ikke bruges hvis industrielle kemikalier er blevet brugt til rensning.
10. Fnugfilteret skal renses jævnligt hvis tilgængeligt.
11. Fnug må ikke ophobes rundt om tørretumbleren. (gælder ikke produkter med udtræk udenfor bygningen)
12. Passende ventilation skal sikres, for at undgå tilbageløb af gasser i lokalet fra produkter der forbrænder, herunder åben ild.
13. Tør ikke uvaskede genstande i tørretumbleren.
14. Genstande der er blevet gennemblødte i substanser såsom madolie, acetone, alkohol, benzin, petroleum, pletfjerner, terpentiner, voks og voksfjerner bør vaskes i varmt vand, med en ekstra mængde vaskemiddel inden det tørres i tørretumbleren.
15. Genstande såsom skumgummi, badehætter, vandtætte tekstiler, gummibelagte artikler og tøj eller puder fyldt med skumgummipuder bør ikke tørres i tørretumbleren.
16. Skyllemiddel eller lignende produkter bør kun bruges som anvist i instruktionerne for skyllemidlet.
17. Den sidste del af tørretumblerens program er uden varme (nedkølingsproces), for at sikre at genstande får en temperatur hvor de ikke tager skade.
18. Fjern alle objekter såsom lightere og tændstikker fra lommer.



-
- 19. ADVARSEL:** Stands aldrig en tørretumbler før tørreprogrammet er slut, medmindre alle genstande hurtigt fjernes og spredes ud så varmen kan afledes.
 - 20.** Udluftningen må ikke føres i en skorsten der bruges til udtræk for dampe fra produkter der brænder gas eller anden brændsel.
 - 21.** Produktet må ikke installeres bag en dør som kan låses, en rulleør eller en dør med et hængsel på den modsatte side af tørretumbleren, på en sådan måde at en fuld åbning af døren spærrer for tørretumblerens dør.
 - 22. ADVARSEL:** Maskinen må ikke tilsluttes med en ekstern skifter såsom en timer eller tilsluttes et lysnet der jævnligt tændes og slukkes med en kontakt.



Sikkerhedsinformationer

Vigtige advarsler vedr. installation

ADVARSEL

Installationen af maskinen må kun udføres af kvalificeret teknisk personale eller af servicevirksomhed.

- Forkert installation kan føre til elektrisk stød, brand, eksplosion, problemer med produktet eller skader.

Apparatet er tungt. Pas derfor på, når du løfter det.

Sæt strømstikket i en stikkontakt til AC 220 - 240 V / 50 Hz eller højere, og brug kun stikkontakten til denne maskine. Brug aldrig en forlængerledning.

- Deling af stikkontakten med andre apparater ved brug af strømskinne eller brug af en forlængerledning kan medføre elektrisk stød eller brand.
- Sørg for, at spændingsstyrke, frekvens og strøm stemmer overens med produktets specifikationer. Hvis ikke, kan det føre til elektrisk stød eller brand. Sæt stikket i stikkontakten fast.

Fjern med regelmæssige mellemrum alle fremmedelementer, som f.eks. støv eller vand, fra stikbenene og kontaktpunkterne med en tør klud.

- Fjern stikket og gør det rent med en tør klud.
- Hvis ikke, kan det føre til elektrisk stød eller brand.
- Sæt strømstikket i en stikkontakt, så kablet ligger på gulvet.
Hvis du sætter stikket i stikkontakten i den modsatte retning vil ledninger inde i kablet blive beskadiget og det kan medføre elektrisk stød eller brand.

Hold alle emballagematerialer uden for børns rækkevidde, da disse kan være farlige.

- Hvis et barn tager en pose over hovedet, kan det medføre kvælning.
Kontakt nærmeste servicecenter hvis maskinen, stikket, eller strømforsyningsledning er beskadiget.

Maskinen skal være korrekt jordforbundet.

Maskinen må aldrig forbindes til gasrør, plastik vandrør eller til telefonkabel.

- Forkert jordforbindelse kan føre til elektrisk stød, brand, eksplosion eller problemer med maskinen.
- Sæt aldrig strømstikket i en stikkontakt, der ikke er jordet korrekt, og kontroller, at det er i overensstemmelse med lokale og nationale bestemmelser.

Installer ikke dette apparat tæt på et varmeapparat eller brændbare materialer.

Installer ikke dette apparat et fugtigt, oliefyldt eller støvet sted eller et sted, der udsættes for direkte sollys eller vand (vanddråber).



Installer ikke dette apparat maskine et sted med lave temperaturer.

- Frost kan få rørene til at springe.

Placer ikke maskinen i et sted med mulige gaslækage.

- Dette kan medføre elektrisk stød eller brand.

Brug ikke en elektrisk transformer.

- Dette kan medføre elektrisk stød eller brand.

Brug ikke beskadigede stik, ledninger eller løstsiddende stikkontakter.

- Dette kan medføre elektrisk stød eller brand.

Du må ikke hive i eller bøje netledningen.

Du må ikke vride eller binde netledningen.

Du må ikke hænge netledningen på en metalgenstand, placere en tung genstand oven på ledningen, sætte den mellem andre ting, eller presse den ind bag maskinen.

- Dette kan medføre elektrisk stød eller brand.

Du må ikke hive i netledningen mens stikket sidder i stikkontakten.

- Fjern netledningen ved at holde i stikket.
- Hvis ikke, kan det føre til elektrisk stød eller brand.

Apparatet skal anbringes, så der er adgang til strømstikket, vandtilførslen og vandafløbet.



Sikkerhedsinformationer

Forsigtighed ved installation

FORSIGTIG

Dette apparat skal anbringes på en sådan måde, at der er nem adgang til strømstikket.

- Forkert placering kan føre til elektrisk stød eller brand og lækstrøm.

Installer dit apparat, så det står lige på et hårdt gulv, der kan bære dets vægt.

- I modsat fald kan der opstå unormale vibrationer, bevægelser, støj eller problemer med produktet.

Vigtige advarsler vedr. brug

ADVARSEL

Hvis apparatet svømmer over, så afbryd straks for vandet og strømmen, og kontakt dit nærmeste servicecenter.

- Du må ikke røre stikkontakten med våde hænder.
- Hvis du gør det, kan du få elektrisk stød.

Hvis maskinen giver uventede lyde, der kommer brændlugt eller røg, træk stikket ud af stikkontakten omgående og kontakt dit nærmeste servicecenter.

- Hvis ikke, kan det føre til elektrisk stød eller brand.

I tilfælde af gaslækage skal du lufte rummet ud omgående uden at røre ved stikkontakten. Du må ikke røre maskinen eller netledningen.

- Du må ikke bruge ventilator.
- En gnist kan medføre eksplosion eller brand.

Lad ikke børn lege i eller på vaskemaskinen. Når du opstiller maskinen, fjern håndtaget til maskinens dør.

- Hvis nogen lukkes inde i maskinen, kan de blive kvalt og dø.

Fjern transportemballagen (svamp, styrofoam) placeret i bunden før maskinen tages i brug.

Vask ikke emner, der er forurenede med benzin, petroleum, benzol, fortynder, alkohol eller andre brændbare eller eksplosive substanser.

- Dette kan medføre elektrisk stød, brand eller eksplosion.

Åbn ikke vaskemaskinelugen med kraft, når den er i drift (vask ved høj temperatur/tørring/centrifugering).

- Vand, der løber ud af maskinen kan forårsage forbrændinger eller gøre gulvet glat. Dette kan medføre skader.
- Hvis lugen åbnes med magt kan det medføre skade på maskinen eller mennesker.

Stik ikke hænderne ind under vaskemaskinen, når den kører.

- Dette kan medføre skader.



Du må ikke røre stikkontakten med våde hænder.

- Dette kan medføre elektrisk stød.

Sluk ikke for maskinen ved at fjerne netkabel fra stikket mens maskinen er i brug.

- Hvis du tænder maskinen ved at sætte stikket i stikkontakten igen kan det medføre elektrisk stød eller brand.

Lad ikke børn eller syge personer anvende denne vaskemaskine uden passende opsyn. Lad ikke børn klatre i eller på apparatet.

- Det kan medføre i elektrisk stød, forbrændinger eller personskaade.

Sæt ikke hånden eller en metalgenstand under maskinen mens den er i brug.

- Dette kan medføre skader.

Afbryd ikke for apparatet ved at trække i strømkablet. Tag altid forsvarligt fat i stikket, og træk det lige ud af stikkontakten.

- Beskadigelse af strømkablet kan medføre kortslutning, brand og/eller elektrisk stød.

Forsøg ikke at reparere, skille ad eller lave ændringer på maskinen selv.

- Brug ikke andre sikringer (f.eks kobbertråd, ståltråd, osv.) end standardsikringer.
- Hvis apparatet skal repareres eller geninstalleres, skal du kontakte dit nærmeste servicecenter.
- Ellers kan det føre til elektrisk stød, brand, problemer med produktet eller skader.

Hvis tilløbsslangen løsner sig fra vandhånden og maskinen bliver oversvømmet, træk stikket ud af stikkontakten.

- Hvis ikke, kan det føre til elektrisk stød eller brand.

Træk stikket ud af stikkontakten når maskinen ikke bruges i længere periode eller under torden/tordennevejret.

- Hvis ikke, kan det føre til elektrisk stød eller brand.

Hvis der kommer fremmedlegemer ind i apparatet, skal du fjerne stikket fra stikkontakten og kontakte den nærmeste Samsung-kundeservice.

- Dette kan medføre elektrisk stød eller brand.

Børn (eller kæledyr) må aldrig tillades at lege på eller i vaskemaskinen. Vaskemaskinens dør kan ikke åbnes let indefra, og børn kan komme alvorligt til skade, hvis de fanges inde i maskinen.



Sikkerhedsinformationer

Forholdsregler for brug

FORSIGTIG

Når vaskemaskinen er forurenede med fremmede substanser, som f.eks. vaskemiddel, snavs, madrester m.v., skal du fjerne strømstikket og rengøre vaskemaskinen med en fugtet, blød klud.

- Ellers kan det medføre misfarvninger, deformation, beskadigelse eller rust.

Glaslugen kan ødelægges af et kraftigt stød. Vær forsigtig når du bruger vaskemaskinen.

- Hvis glasset er gået i stykker, kan det medføre personskader.

Efter problemer med vandtilførslen eller ved gentilslutning af vandtilførselsslangen, så åbn langsomt for hanen.

Åbn hanen langsomt, hvis maskinen ikke har været anvendt i længere tid.

- Lufttrykket i vandtilførselsslangen eller vandrøret kan medføre skade på en produkt del eller medføre vandudslip.

Hvis der opstår problemer med afledningen under drift, så kontroller, om der er et afledningsproblem.

- Hvis vaskemaskinen anvendes, når den er oversvømmet pga. et afledningsproblem, kan dette medføre elektriske stød eller brand.

Læg al tøjet i maskinen således, at tøjstumper ikke bliver klemt af lugen.

- Hvis vasketøj sidder fast i lugen, kan det medføre skade på tøjet eller vaskemaskinen eller medføre vandudslip.

Sluk for vandtilførslen til vaskemaskinen, når den ikke bruges.

Kontroller, at skruerne på tilslutningsstykket på vandtilførselsslangen er strammet forsvarligt.

- Ellers kan det medføre ejendomsskader eller skader.

Sørg for, at gummilisten og frontglasset ikke forurenes med fremmede substanser (f.eks. affald, tråde, hår mv.).

- Hvis fremmede substanser sætter sig fast i lugen, eller lugen ikke er helt lukket, kan det medføre vandudslip.

Åbn vandhanen, og kontroller, om tilslutningsstykket på vandtilførselsslangen er strammet forsvarligt, og at der ikke lækker vand, inden du bruger produktet.

- Hvis skruerne på tilslutningsstykket på vandtilførselsslangen er løse, kan det medføre vandudslip.

Det produkt, du har købt, er kun designet til husholdningsbrug.



Erhvervsmæssig anvendelse af produktet regnes for misbrug. I dette tilfælde vil produktet ikke være dækket af standardgarantien fra Samsung, og Samsung kan ikke holdes til ansvar for fejlfunktion eller skade, der opstår som følge af sådan misbrug.

Du må ikke stå på apparatet eller anbringe genstande (f.eks. vasketøj, tændte stearinlys, tændte cigaretter, tallerkener, kemikalier, metalgenstande m.m.) på apparatet.

- Ellers kan det føre til elektrisk stød, brand, problemer med produktet eller skader.

Sprøjt ikke maskinen med let fordampelige væsker som for eksempel insektmidler.

- Ud over at være skadelig for mennesker kan det medføre elektrisk stød, brand eller problemer med produktet.

Anbring ikke genstande, der genererer elektromagnetiske felter, tæt på vaskemaskinen.

- Dette kan medføre personskade pga. en fejlfunktion.

Vand, der afledes ved vask med høj temperatur eller ved tørring, er varmt. Rør ikke ved vandet.

- Dette kan medføre forbrændinger eller skader.

Vask ikke, centrifuger ikke og tør ikke vandtætte sæder, måtter eller tøj (*), medmindre dit apparat har et særligt program til vask af disse genstande.

(*): Sengetøj af uld, regntøj, fiskeveste, skibukser, soveposer, diaper-omslag, svededragter og cykel-, motorcykelog bildækkener m.v.

- Vask ikke tykke eller hårde måtter, heller ikke selvom der er et vaskemærke på plejeanvisningen. Dette kan medføre beskadigelse af vaskemaskinen, vægge, gulv eller tøj pga. unormale vibrationer.
- Vask ikke dekorative tæpper eller dørmåtter med bagbeklædning af gummi. Gummibagklædningen kan falde af og sætte sig fast på tromlens inderside, og dette kan medføre fejlfunktion, som f.eks. tømningsfejl.

Brug ikke vaskemaskinen, når sæbeskuffen er fjernet.

- Det kan medføre elektrisk stød eller personskade pga. vandudslip.

Rør ikke tromlen indvendig under eller straks efter tørring da den er varm.

- Dette kan medføre forbrændinger.

Stik ikke hænderne ind i sæbeskuffen.

- Dette kan medføre personskade, da din hånd kan blive fanget i enheden til tilførsel af vaskemiddel.
- Guiden til brug af flydende sæbe (kun udvalgte modeller), må ikke bruges til pulver sæbe. Fjern guiden, hvis der bruges sæbe i pulverform.

Kom ikke andre genstande (som f.eks. sko, madrester, dyr) end vasketøj i vaskemaskinen.

- Dette kan medføre beskadigelse af maskinen eller skade og død for dyrs vedkommende på grund af unormale vibrationer.



Sikkerhedsinformationer

Tryk ikke på knapperne med skarpe genstande som nåle, knive, spidse negle og lignede.

- Dette kan medføre elektrisk stød eller skade.

Vask ikke tøjet, der er forurennet med olie, creme eller lotion.

- Dette kan medføre, at gummilisten bliver deformeret og resulterer i et vandudslip.

Efterlad ikke metalobjekter, som f.eks. sikkerhedsnåle, hårnåle, eller blegemiddel i tromlen i lang tid.

- Dette kan medføre, at tromlen ruste.
- Hvis der begynder at dannes rust på tromlens overflade, skal du anvende et rensmiddel (neutralt) på overfladen og bruge en svamp til at gøre det rent med. Brug aldrig metalbørste.

Brug ikke midler til kemisk rensning til vask, skylning eller centrifugering. Vask ikke tøjet forurennet med midler til kemisk rensning.

- Det kan resultere i selvantændelse eller antændelse på grund af varme fra iltning af olien.

Brug ikke vand fra vandkøle/varmeanheder.

- Dette kan medføre problemer med vaskemaskinen.

Brug ikke håndsæbe til vaskemaskinen.

- Hvis det stivner eller opsamles inde i vaskemaskinen, kan det medføre problemer med produktet, misfarvning, rust eller dårlig lugt.

Kom sokker og brystholdere i et vaskenet, og vask disse med andet vasketøj.

Vask ikke store genstande i vaskeposen.

- Ellers kan det medføre skader på grund af unormale vibrationer.

Brug ikke faste (hærdet) vaskemidler.

- Hvis det opsamles inde i vaskemaskinen, kan det medføre vandudslip.

Sørg for, at alle lommer i vasketøjet er tomme.

- Hårde, skarpe genstande som mønter, sikkerhedsnåle, negle, skruer eller sten kan medføre alvorlige beskadigelser af maskinen.

mønter, sikkerhedsnåle eller papirklips kan ødelægge vaskemaskinen.

Sorter vasketøjet efter farve på basis af dets farveægthed, og vælg det anbefalede program, den anbefalede vandtemperatur og yderligere funktioner.

- Dette kan medføre misfarvning eller beskadigelse af stoffet.

Pas på, at børns fingre ikke kommer i klemme i døren, når du lukker den.

- I modsat fald kan det resultere i personskaade.



Vigtige advarsler vedr. rengøring

ADVARSEL

Rengør ikke maskinen ved at spule den med vand.

Brug ikke et stærkt, syreholdigt rengøringsmiddel.

Brug ikke benzen, fortynder eller spiritus til rengøring af af maskinen.

- Dette kan medføre misfarvninger, deformation, beskadigelse, elektrisk stød eller brand.

Inden der foretages rengøring og vedligeholdelse af maskinen, træk stikket ud af stikkontakten.

- Hvis ikke, kan det føre til elektrisk stød eller brand.

Instruktioner om WEEE



Korrekt bortskaffelse af dette produkt (elektrisk & elektronisk udstyr)

(Gælder i lande med systemer til affaldssortering)

Denne mærkning på produktet, på tilbehør eller i manualen betyder, at produktet og elektronisk tilbehør hertil (f.eks. oplader, headset og USB-kabel) ikke må bortskaffes sammen med almindeligt husholdningsaffald efter endt levetid. For at forebygge skadelige virkninger på menneskers helbred eller miljøet skal disse genstande bortskaffes adskilt fra andre typer af affald og indleveres på en genbrugsplads med henblik på genindvinding. Forbrugere bedes kontakte forhandleren, hvor de har købt produktet, eller kommunen for nærmere oplysning om, hvor og hvordan de kan indlevere produkt og tilbehør med henblik på miljøvenlig genindvinding.

Virksomheder bedes kontakte leverandøren og følge anvisningerne i købekontrakten. Dette produkt og elektronisk tilbehør hertil må ikke bortskaffes sammen med andet erhvervsaffald.

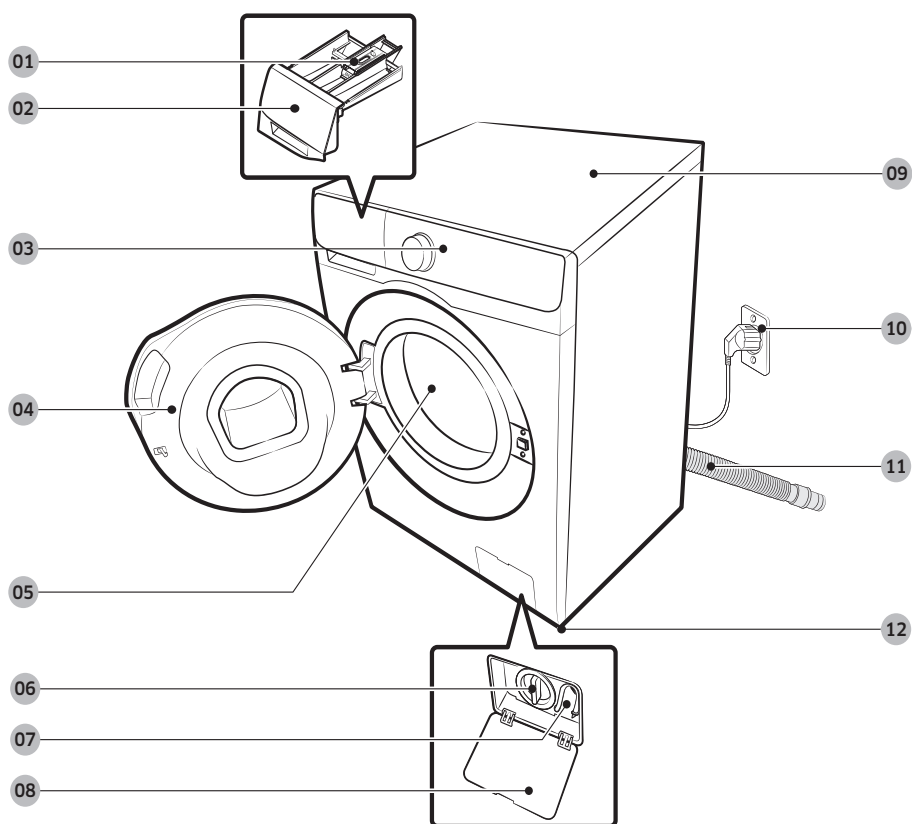
Du kan finde informationer om Samsungs miljøforpligtelser og lovgivningsmæssige forpligtelser, der er produktspecifikke, som f.eks. REACH, på samsung.com/uk/aboutsamsung/samsungelectronics/corporatecitizenship/data_corner.html

Installation

Følg disse instruktioner grundigt for at sikre korrekt installation af vaskemaskinen og for at forhindre ulykker i forbindelse med brug af vaskemaskinen.

Hvad medfølger

Sørg for at alle delene er med i produktindpakningen. Hvis du har problemer med vaskemaskinen eller dele, kan du kontakte Samsungs kundecenter eller forhandleren.



01 Udløsergreb

02 Sæbeskuffe

03 Betjeningspanel

04 Dør

05 Tromle

06 Pumpefilter

07 Nødafledningsslange

08 Filterdæksel

09 Arbejdsbord

10 Strømskik

11 Afledningsslange

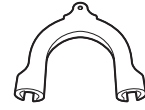
12 Justeringsfødder



Topnøgle



Plastikdæksler



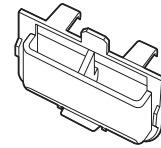
Slangeholder



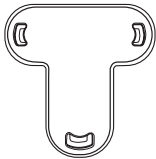
Slange til
koldt vandstilførsel



Slange til
varmt vandstilførsel



Beholder til flydende
vaskemiddel



Hættefastgøring

BEMÆRK

- Boltkapsler: Der medfølger mellem 3 og 6 boltkapsler, afhængigt af model.
- Slange til varmt vandstilførsel: Kun udvalgte modeller.
- Beholder til flydende vaskemiddel: Kun udvalgte modeller.



Installation

Forudsætninger for installation

Strømforsyning og forbindelse til jord

- AC 220-240 V / 50 Hz sikring eller strømafbrøder er påkrævet
- Brug et individuelt forgreningskredsløb, der passer til vaskemaskinen

For at sikre en ordentlig jordforbindelse følger en strømledning med tre ben og jordforbindelse til brug i en korrekt installeret og jordforbundet stikkontakt sammen med vaskemaskinen.

Rådfør dig med en kvalificeret elektriker eller serviceperson hvis du er i tvivl om jordforbindelse.

Lav ikke ændringer på det medfølgende stik. Hvis det ikke passer i stikkontakten, ring efter en kvalificeret elektriker og installer en korrekt kontakt.

ADVARSEL

- Der må IKKE bruges en forlængerledning.
- Anvend kun den strømledning, der følger med vaskemaskinen.
- Du må IKKE forbinde jordledningen til VVS-rør af plastik, gasrør eller varmtvandsrør.
- Jordforbindelser der ikke er forbundet korrekt kan forårsage elektrisk stød.

Vandforsyning

Et passende vandtryk til denne vaskemaskine er mellem 50 kPa og 800 kPa. Et vandtryk under 50 kPa kan betyde, at vandventilen ikke lukker helt. Derudover kan det tage længere tid til at fylde tromlen, hvilket kan betyde, at vaskemaskinen slukkes. Vandhaner skal være højst 120 cm fra vaskemaskinens bagside, så den medfølgende indløbslange kan nå vaskemaskinen.

Sådan reduceres risikoen for lækage:

- Sørg for, at vandhaner er lettilgængelige.
- Sluk for hanerne, når vaskemaskinen ikke er i brug.
- Kontrollér jævnligt for lækager ved vandindføringsslangernes pakninger.

FORSIGTIG

Før du bruger vaskemaskinen første gang, skal du kontrollere alle tilslutninger ved vandventilen og hanerne for lækager.

Afledning

Samsung anbefaler et stigrør af højden 60-90 cm. Afløbsslangen skal sluttes til stigrøret ved hjælp af slangeklemmen, og stigrøret skal dække afløbsslangen helt.



Gulv

Den bedste vaskemaskineydelse opnås ved installation på et fast gulv. Trægulve skal muligvis forstærkes for at mindske vibrationer og/eller belastninger på grund af ubalance. Gulvtæpper og bløde fliseoverflader er ikke modstandsdygtige over for vibrationer, og kan medføre, at vaskemaskinen rykker sig under centrifugering.

FORSIGTIG

Installer IKKE vaskemaskinen på en forhøjning eller på en dårligt understøttet konstruktion.

Vandtemperatur

Vaskemaskinen må ikke installeres på steder, hvor vandet kan fryse, da der altid vil være lidt vand tilbage i ventiler pumper og/eller slanger. Frossent vand i forbindelsesdele kan forårsage skade på bæltet, pumpen og andre komponenter i vaskemaskinen.

Installation i alkove eller skab

Minimumsplads for stabil drift:

Sider	25 mm
Top	25 mm
Bagpå	50 mm
Front	550 mm

Hvis der både installeres vaskemaskine og tørretumbler samme sted, skal der være en uhindret luftåbning foran nichen eller skabet på mindst 550 mm. Vaskemaskinen alene kræver ikke et specifikt areal med fri plads.

Installation

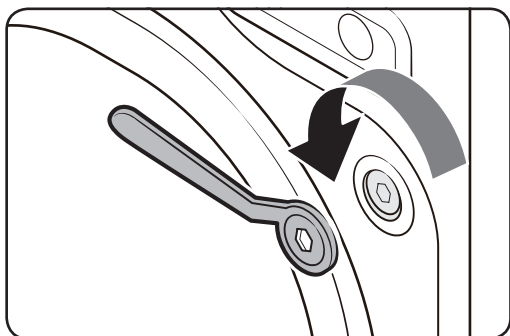
Trin for trin installation

TRIN 1 - Vælg en placering

Krav til placering:

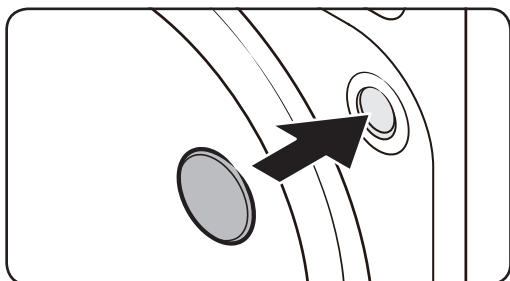
- Hård og jævn overflade uden tæpper eller andet gulvmateriale, der kan blokere ventilationen
- Uden direkte sollys
- Passende rumventilering og strømføring
- Den omgivende temperatur er altid over frysepunktet (0 °C)
- På afstand fra varmekilder

TRIN 2 - Fjern drejesikringerne

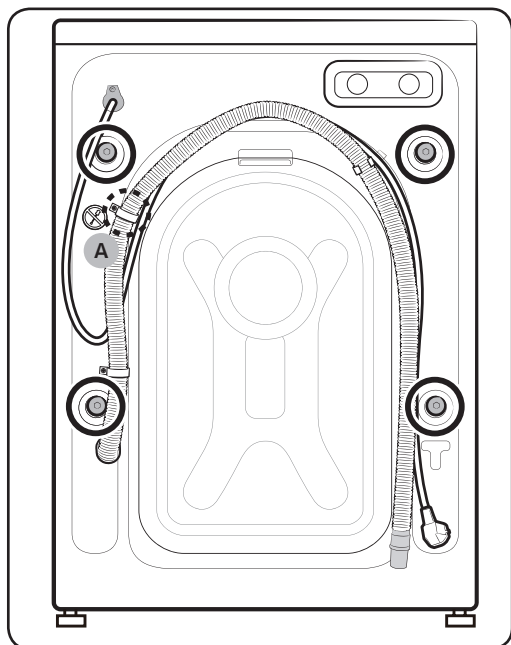


Fjern produktemballagen og fjern alle drejesikringer.

1. Begynd at løsne alle drejesikringer på bagsiden af maskine med den medfølgende skrueøgle.



2. Fyld hullerne ud med de medfølgende plastikdæksler. Behold drejesikringerne til fremtidig brug.



3. Luk alle plastikbolte på bagsiden af vaskemaskinen.

⚠ FORSIGTIG

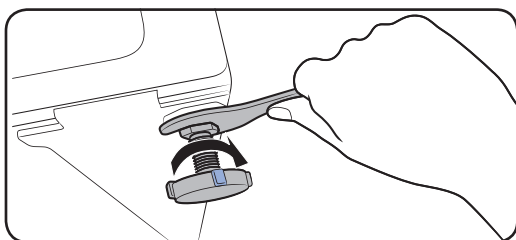
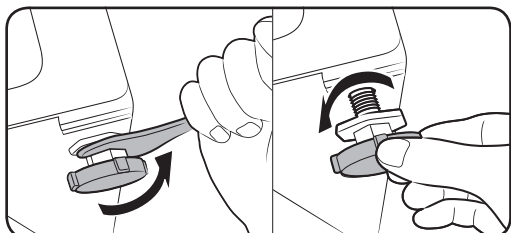
Fjern ikke **skrue (A)** der låses slangeklemmen.

⚠ ADVARSEL

Produktemballagen kan være farlig for børn. Bortskaf al produktemballage (plastikposer, flamingo etc.) udenfor børns rækkevidde.

Installation

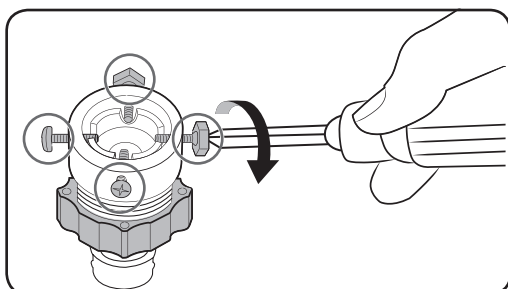
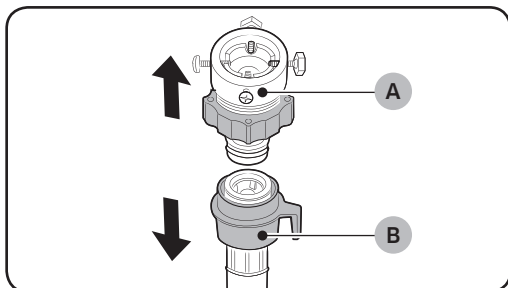
TRIN 3 - Justering af planeringsfødder



1. Skub forsigtigt vaskemaskinen på plads. Overdreven kraft kan beskadige planeringsfødderne.
2. Bring vaskemaskinen i vater ved manuelt at justere på planeringsfødderne.
3. Når vaskemaskinen er i vater strammes boltene med skruenøglen.

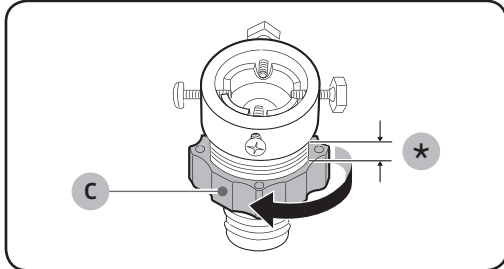
TRIN 4 - Forbind vandslangen

Den medfølgende slangeadapter kan variere afhængigt af model. Disse trin viser dig hvordan du tilslutter forbindelsesadapteren. Hvis du har en skruadapter gå til 7.

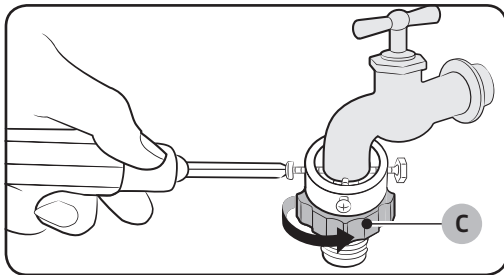


Sæt vandtilførselsslangen på vandhanen.

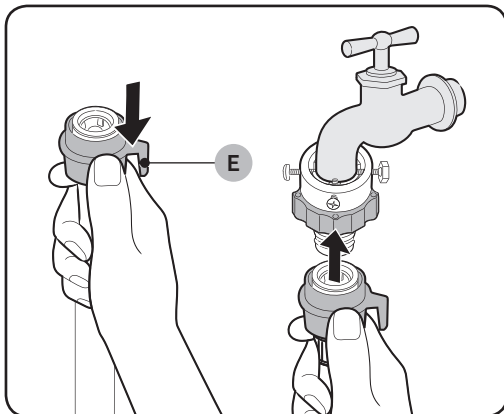
1. Fjern tilpasningsstykket (A) fra vandtilførselsslangen (B).
2. Brug en Philips skruetrækker til at løsne de fire skrue på tilpasningsstykket.



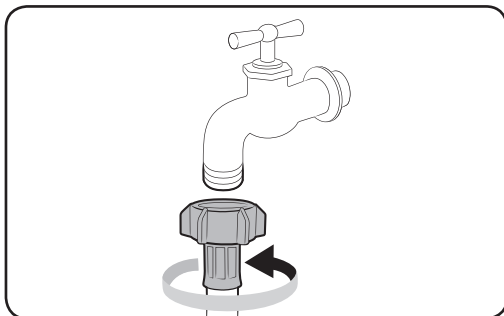
3. Hold tilpasningsstykket og drej delen (C) i pilens retning for at løsne den med 5 mm (*).



4. Indsæt tilpasningsstykket i vandhanen og stram skrueene mens der løftes op i tilpasningsstykket.
5. Drej delen (C) i pilens retning for at stramme den.



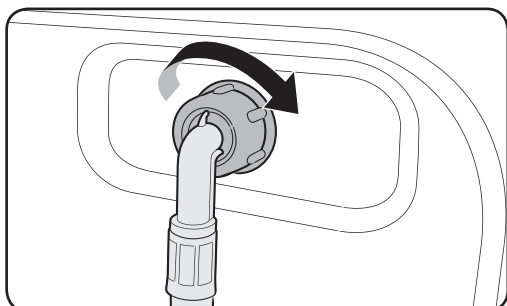
6. Mens der holdes fast i delen (E), forbindes vandtilførselsslangen til tilpasningsstykket. Frigiv derefter delen (E). Slangen fastmonteres i tilpasningsstykket med en kliklyd.



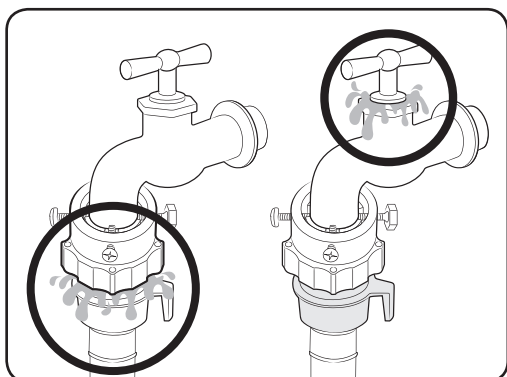
7. Hvis du bruger en vandhane med gevind, bruges den medfølgende skrueadapter til at forbinde til vandhanen som vist.



Installation



8. Forind den anden ende af vandtilførelsslangen på indgangsventilen på bagsiden af vaskemaskinen. Drej slangen med uret for at stramme.



9. Åbn vandhanen og kontroller for lækager ved samlinger. Hvis der er utætheder, skal du gentage de foregående trin.

ADVARSEL

Stop al brug af vaskemaskinen hvis der er utætheder og kontakt et lokalt Samsung servicecenter. I modsat fald kan der opstå elektrisk stød.

FORSIGTIG

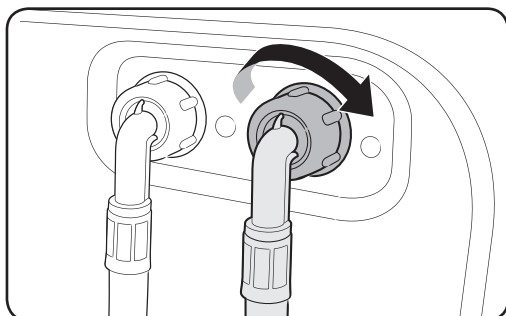
Stræk ikke vandtilførelsslangen med vold. Hvis slangen er for kort, skal du udskifte den med en længere slange, der kan tåle højt tryk.

BEMÆRK

- Når du har sluttet vandtilførelsslangen til mellemstykket, skal du kontrollere, at det er monteret korrekt ved at trække nedad i vandtilførelsslangen.
- Brug en udbredt type vandhane. Hvis hanen er firkantet eller for stor, skal du flytte afstandsringen, før du sætter hanen i tilpasningsstykket.

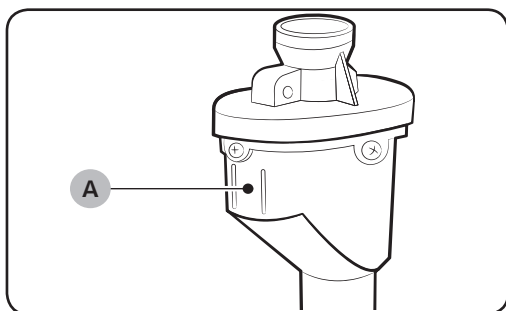


For udvalgte modeller med yderligere varmtvandsindtag:



1. Forbind den røde ende af vandtilførselsslangen til varmtvandsindtaget på bagsiden af vaskemaskinen.
2. Tilslut den anden ende af varmtvandsslangen til varmtvandshanen.

Vandslange (kun udvalgte modeller)



Vandslangen advarer brugere om fare for vandlækager. Den opfanger vandgennemstrømningen og bliver rød i den centrale **indikator (A)** i tilfælde af en lækage.

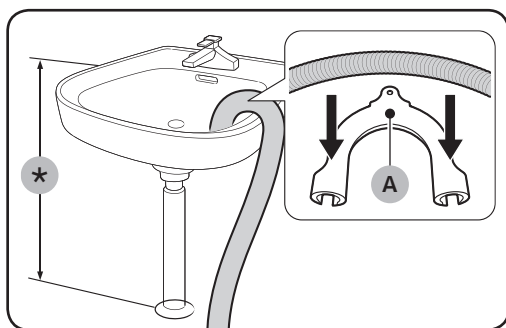
BEMÆRK

Enden af vandstop-slangen skal tilsluttes vandtilførslen og ikke maskinen.

Installation

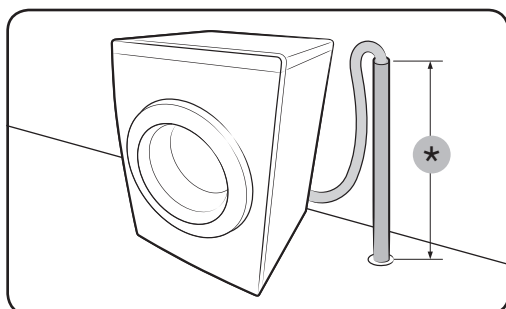
TRIN 5 - Placér afledningsslangen

Afledningsslangen kan anbringes på tre måder:



Over kanten på en vaskekumme

Afledningsslangen skal være placeret i en højde på mellem 60 cm og 90 cm (*) fra gulvet. For at holde studsene på afledningsslangen bøjet bruges den medfølgende **klemme til plastikslangen (A)**. Fastsæt klemmen på væggen ved at bruge en krog for at sikre stabilt afløb.

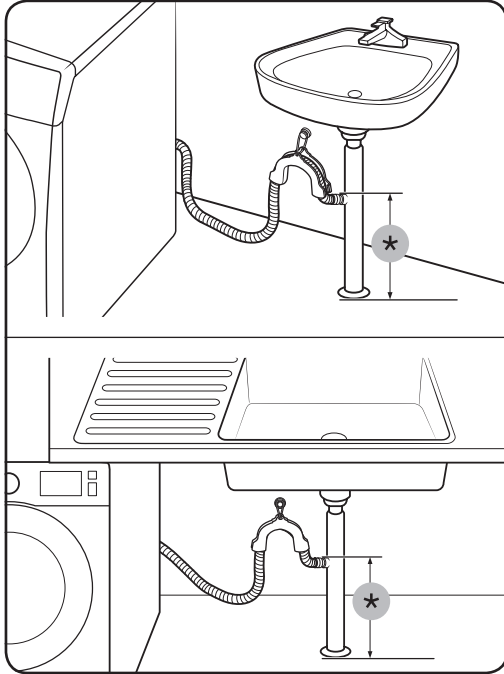


I et afløbsrør

Afløbsrøret bør være mellem 60 cm og 90 cm højt (*). Det anbefales at bruge et 65 cm højt, lodret rør. Sørg for at afledningsslangen er forbundet til standrøret med en hældning.

Krav til standrør:

- Minimumdiameter på 5 cm
- Minimum afløbskapacitet på 60 liter pr. minut



I et sideafløb fra en vask

Afløbsrøret skal være over vaskens vandlås, sådan at enden af slangen er mindst 60 cm over gulvet.

(*) : 60 cm

TRIN 6 - Tænd vaskemaskinen

Tilslut strømledningen til en godkendt stikkontakt med 220-240 V / 50 Hz beskyttet af en sikring eller strømkredsløbsafbryder. Tryk dernæst på knappen **Tænd/sluk** knappen for at tænde vaskemaskinen.



Inden du går i gang

Indledende indstillinger

Kør kalibrering (anbefales)

Kalibrering sikrer præcis vægtmåling af vaskemaskinen. Sørg for, at tromlen er tom, før du kører Kalibrering.

1. Slut og tænd dernæst vaskemaskinen.
2. Hold nede på **Temp.** og **Udsat sluttid +** samtidig i 3 sekunder for at aktivere kalibreringstilstand. En "Cb" besked vises.
3. Tryk på **Start/Pause (Hold for at starte)** for at køre kalibreringsprogrammet.
4. Tromlen vil rotere med uret og mod uret i omkring 3 minutter.
5. Når programmet er færdig vises "0" på displayet og vaskemaskinen slukkes automatisk. Vaskemaskinen er nu klar til brug.

Retningslinjer for vasketøj

TRIN 1 - Sortering

Sorter vasketøjer på følgende måde:

- Vaskeanvisning: Sortér vasketøjet i bomuld, blandede tekstiler, syntetisk, silke, uld og rayon.
- Farve: Adskil hvidt og farvet tøj.
- Størrelse: Det forbedrer vaskeevnen hvis man blander ting af forskellig størrelse sammen i vaskemaskinen.
- Sensitivitet: Vask sarte tøjstykker for sig selv med vaskeprogrammet Strygelet for nyt uldtøj, gardiner og silkestoffer. Se mærkaterne på tøjet.

BEMÆRK

Sørg for at kigge på mærkaterne i tøjet og sorter dem herefter inden vasken påbegyndes.



TRIN 2 - Tomme lommer

Tøm alle lommer på vasketøjet

- Metalgenstande såsom mønter, stifter og spænder på tøj kan beskadige andet vasketøj samt tromlen.

Vend tøj med knapper eller broderier med vrangen ud inden vask

- Hvis lynlåse på bukser eller jakker er åbne under vask, kan tromlen blive beskadiget under centrifugering. Lynlåse bør lukkes og fastgøres med en snor.
- Tøj med lange vedhæng kan filtre sammen med andet tøj. Sørg for at fastgøre snorene før vask.

TRIN 3 - Brug et vaskenet

- Brystholdere (vaskbare) skal være i et vaskenet. Metaldele på brystholdere kan skære gennem og ødelægge andet vasketøj.
- Små, lyse beklædningsdele, som f.eks. sokker, handsker, strømper og lommetørklæder, kan blive fanget omkring døren. Kom dem i et fint vaskenet.
- Vask ikke vaskenettet alene uden andet vasketøj. Dette kan medføre unormale vibrationer, der kan rykke vaskemaskinen og forårsage personskade.

TRIN 4 - Forvask (hvis nødvendigt)

Vælg indstillingen Forvask til det valgte program, hvis vasketøjet er meget beskidt. Brug ikke indstillingen Forvask, hvis der er hældt vaskemiddel direkte i tromlen eller ved brug af flydende vaskemiddel.

TRIN 5 - Fastslå maksimal opfyldning

Undgå at overfylde vaskemaskinen. Det kan betyde, at vaskemaskinen ikke vasker ordentligt. Se side 37 for at få oplysninger om vaskekapacitet for forskellige typer tøj.

BEMÆRK

Når du vasker sengetøj eller lagner, kan vasketiden blive forlænget, eller centrifugeringens effektivitet kan blive reduceret. Ved sengetøj eller lagner er det anbefalede antal maks. omdrejninger 800 o/m og kapaciteten er 2,0 kg eller mindre.

FORSIGTIG

- Vasketøj der ikke er jævnt fordelt kan mindske antallet af omdrejninger.
- Sørg for at vasketøjet er helt inde i tromlen og ikke er fanget i døren.
- Smæk ikke døren hårdt. Luk døren forsigtigt. I modsat fald kan døren måske ikke lukkes korrekt.

Inden du går i gang



TRIN 6 - Anvend en egnet type vaskemiddel

Typen af vaskemiddel, afhænger af typen af stof (bomuld, syntetisk, sarte tøjstykker, uld), farve, vasketemperatur og omfang af snavs. Sørg for at bruge vaskemiddel der er beregnet til automatiske vaskemaskiner.

BEMÆRK

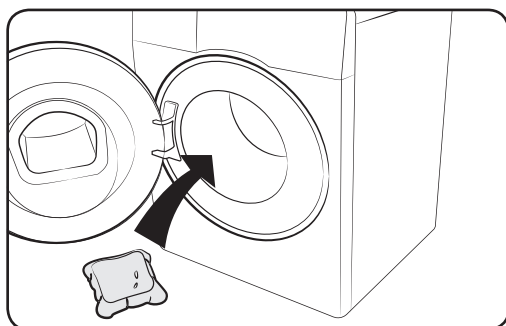
- Følg producentens anbefalinger i forhold til vasketøjets vægt, omfanget af snavs og vandets hårdhed i området. Hvis du ikke er sikker på vandets hårdhed kan du kontakte den lokale vandmyndighed.
- Brug ikke vaskemidler der har tendens til at hærde eller størkne. Disse vaskemidler kan være efterladt efter skylleprogrammet og blokere vandafledningen.
- Hvis der opstår for mange bobler under et program, vil der blive vist beskeden 'Sud'.

FORSIGTIG

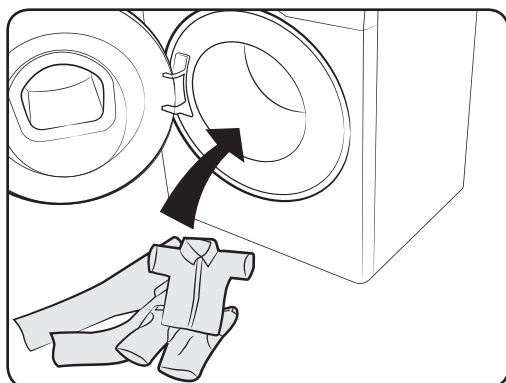
Ved uldvask bruges programmet **ULD** , og der bruges et vaskemiddel beregnet til uldtøj. Hvis du i forbindelse med **ULD** -programmet bruger almindeligt vaskemiddel kan det misfarve vasketøjet.

Vasketabs

For at opnå det bedste resultat med vasketabs, skal du følge disse instruktioner.



1. Ilæg vasketab i bagerst i bunden af den tomme tromle.



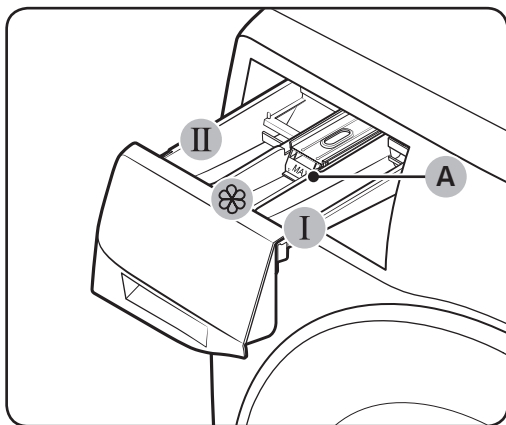
2. Ilæg vasketøjet i tromlen ovenpå vasketabben.


FORSIGTIG

For programmer der bruger koldt vand og som er færdige indenfor en time, kan kapslen ikke opløses fuldstændigt.

Retningslinjer for sæbeskuffe

Vaskemaskinen har en doseringskuffe med tre rum: det venstre rum er til hovedvasken, det i midten til skyllemiddel og det højre er til forvask.



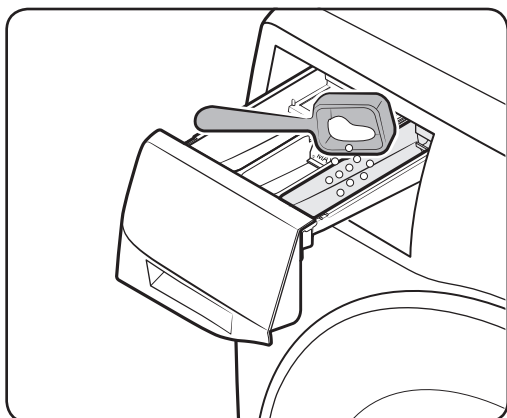
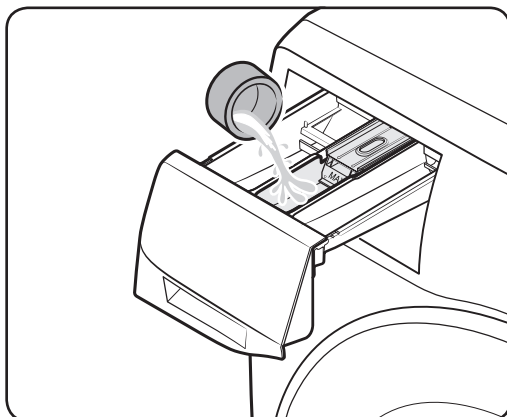
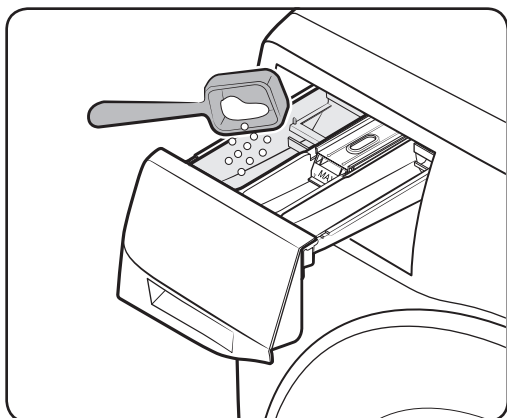
- 01** **I** Forvask-skuffe: Tilsæt sæbe til forvask.
- 02** **II** Hovedvask-skuffe: Tilsæt sæbe til hovedvask, middel til blødgøring af vand, sæbe til iblødsætning, blegemiddel og/eller pletfjerner.
- 03**  Skyllemiddel-skuffe: Tilsæt tilsætning såsom skyllemiddel. Overstig ikke maks. linjen (A).


FORSIGTIG

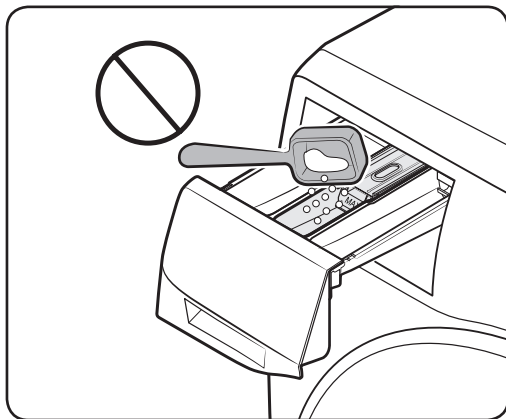
- Man må ikke åbne sæbeskuffen mens vaskemaskinen er i gang.
- Brug ikke følgende typer vaskemiddel:
 - Tabs eller kapsler
 - Bolde eller net
- For at undgå at doseringsrummene tilstoppes, skal koncentrerede eller højberigede midler (skyllemiddel eller vaskemiddel) fortyndes med vand inden tilførsel.
- Inden vaskemaskinen flyttes skal sæbeskuffen tømmes, da den kan indeholde vaskemiddel eller skyllemiddel. Indholdet i sæbeskuffen kan spilde ud på gulvet.

Inden du går i gang


For at tilsætte sæbe til sæbeskuffen



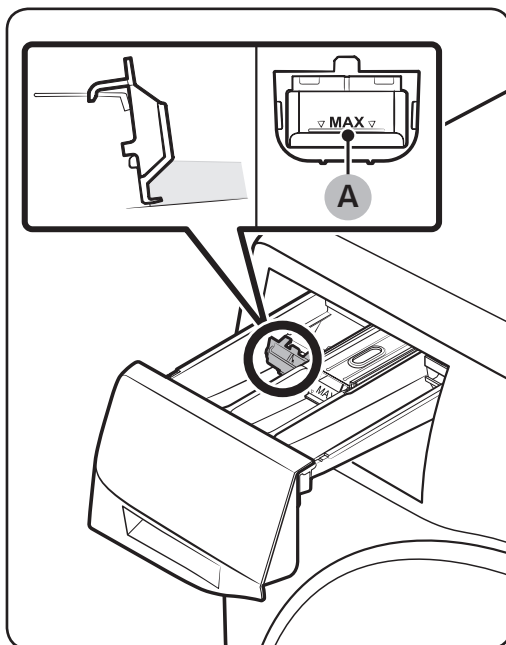
1. Træk for at glide sæbeskuffen ud.
2. Tilsæt sæbe til **II** hovedvask-skuffen som anvist eller anbefalet af producenten. For at bruge flydende vaskemiddel, se side 33.
3. Tilsæt skyllemiddel til  skyllemiddel-skuffen. Overstig ikke maks. linjen.
4. Hvis du ønsker forvask, tilsæt sæbe til forvask-skuffen **I** forvask-skuffe som anvist eller anbefalet af producenten.
5. Luk sæbeskuffen.



⚠ FORSIGTIG

- Brug ikke pulversæbe i skuffen til flydende sæbe.
- Koncentreret skyllemiddel skal opløses i vand inden det tilføres.
- Brug ikke hovedvask-sæbe i  skyllemiddel-skuffen.

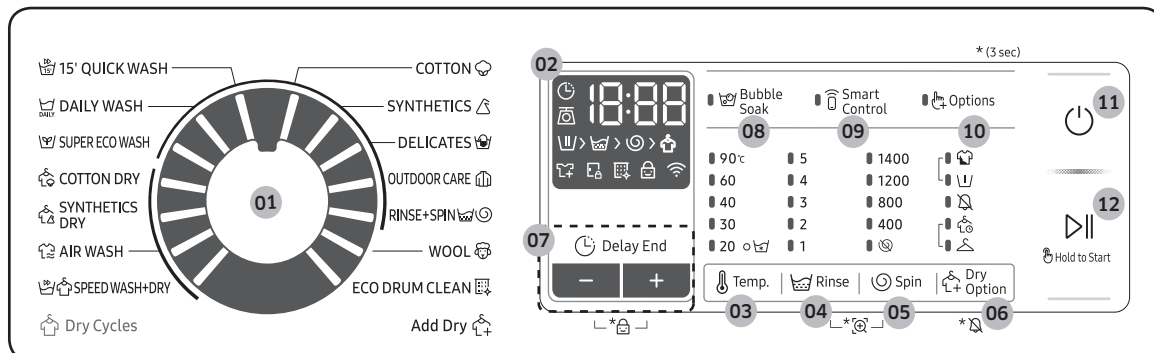
For at bryde flydende sæbe (kun udvalgte modeller)



Tilfør først den flydende sæbe i **II** hovedvask-skuffen. Tilfør dernæst flydende sæbe til skuffen, under den markerede maks. linje (A).

Betjening

Betjeningspanel



01 Programvælger	Drej programvælgeren til et ønsket program.
02 Displayområde	Displayet viser programinformation og estimeret tid tilbage, eller en informationskode hvis der opstår et problem. For knapper og ikoner henvises til den pågældende side.
03 Temp.	Tryk for at ændre vandets temperatur for det nuværende program.
04 Skyl	Tryk for at ændre skyllemængden for det aktuelle program. Du kan indstille skyllemængden op til 5, afhængigt af programmet.
05 Centrifugering	Tryk for at ændre omdrejningshastighed for det nuværende program. Omdrejninger pr. minut (omdr./m) varierer efter model. <ul style="list-style-type: none"> • Skyllestop (Ingen indikator): Det sidste skylleprogram springes over sådan at vasketøjet bliver i vandet. For at tømme maskinen køres en tømning- eller omdrejningscyklus. <ul style="list-style-type: none"> - For at bruge Skyllestop, skal du trykke på Centrifugering gentagne gange indtil alle omdr./m numeriske indikatorer slukker. Ikke tilgængelig for TØMNING/CENTRIFUGERING program. • Ingen centrifugering : Tromlen drejer ikke rundt efter den sidste tømningscyklus. <ul style="list-style-type: none"> - Brug funktionen "Ingen centrifugering", tryk på Centrifuge gentagne gange indtil Ingen centrifugeringsindikatoren (☹) tænder. • Kun centrifugering: For kun at køre centrifugering tryk Centrifugering i 3 sekunder. Når programtiden og omdrejningshastigheden vises, tryk på Centrifugering gentagne gange indtil den ønskede omdrejningshastighed er valgt. Tryk og hold inde på Start/Pause (Hold nede for at starte) for at starte programmet. Centrifugeringstiden afhænger af det valgte program.

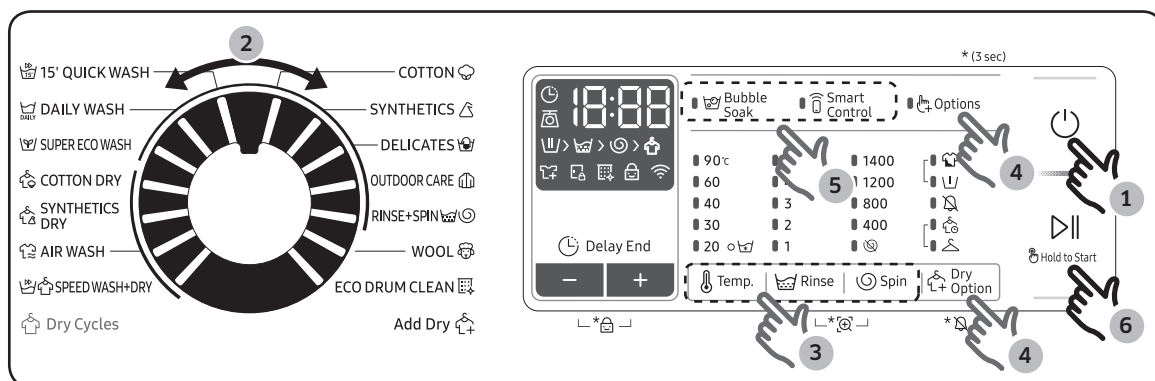
<p>06 Tørrefunktion</p>	<p>Tryk for at vælge tørreniveau: Skabstørt > Tørretid (30 min > 1:00 t. > 1:30 t. > 2:00 t. > 2:30 t. > 3:00 t. > 3:30 t. > 4:00 t. > 4:30 t.) > Ingen tørring</p> <ul style="list-style-type: none"> • Skabstørt: Brug denne indstilling til at tørre vasketøj såsom bomuld, undertøj og linned. • Tørretid: Brug denne indstilling til at tørre vasketøjet i en bestemt tidsperiode afhængigt af fibre, mængden af vasketøj og fugt. • Ingen tørring: Brug denne funktion, hvis du ikke bruger tørring.
<p>07 Udsat sluttid</p>	<p>Udsæt slutning giver dig mulighed for at indstille sluttiden på det nuværende program. Med udgangspunkt i dine indstillinger, vil programmets starttid blive fastlagt af maskinens computer. Denne indstilling er for eksempel nyttig, til at programmere din maskine til at afslutte en vask på et tidspunkt hvor du normalt kommer hjem fra arbejde.</p> <ul style="list-style-type: none"> • Tryk for at vælge en forudsat enhed for timer.
<p>08 Iblødsætning m. bobler</p>	<p>Tryk for at aktivere/deaktivere indstillingen Iblødsætning m. bobler. Det hjælper til at fjerne en række stædige pletter.</p> <ul style="list-style-type: none"> • Iblødsætning m. bobler hjælper til at fjerne en række stædige pletter. • Med Iblødsætning m. bobler valgt, bliver vasketøjet blødt grundigt op i vandbobler for effektiv vaskning. • Iblødsætning m. bobler varer 30 minutter længere og kan bruges sammen med disse programmer: BOMULD, SYNTETISK, DAGLIG VASK og HURTIG VASK+TØR.
<p>09 Smart Control</p>	<p>Tryk på denne knap for at aktivere/deaktivere Smart Control funktionen. Når Smart Control funktionen er aktiveret, kan du kontrollere din vaskemaskine fra din mobile enhed. For flere informationer henvises til SmartThings-afsnit på side 45.</p>
<p>10 Tilvalg</p>	<p>Tryk for at vælge Indstillinger. Tilgængelig af valg afhænger af programmet.</p>
<p>11 Tænd/sluk</p>	<p>Tryk for at tænde/slukke for vaskemaskinen.</p>
<p>12 Start/Pause (Hold for at starte/Hold to Start)</p>	<p>Tryk og hold inde for at starte et program, eller tryk for at standse programmet midlertidigt.</p>

For flere informationer om mulighederne henvises til afsnit for Særlige Funktioner.

Betjening

Simple trin for start

Standardtrin



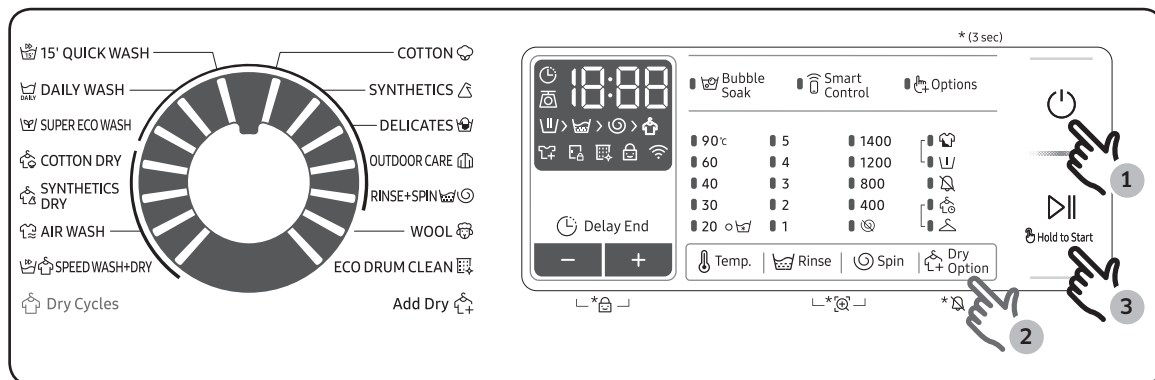
1. Tryk på **Tænd/sluk** for at tænde vaskemaskinen.
2. Vælg et program på programpanelet.
3. Skift programindstillinger (**Temp.**, **Skyl**, og **Centrifugering**) efter behov.
4. Tryk på **Tilvalg** eller **Tørrefunktion** for at vælge de ønskede indstillinger. De tilgængelige indstillinger afhænger af det valgte program.
5. Maskinen understøtter funktionerne **Iblødsætning m. bobler** og **Smart Control** for nem adgang. For at bruge en funktion trykkes på den ønskede programknap.
6. Tryk og hold nede **Start/Pause (Hold nede for at starte)**.

For at ændre program under drift

1. Tryk på knappen **Start/Pause (Hold nede for at starte)** for at standse driften.
2. Vælg et andet program.
3. Tryk på knappen **Start/Pause (Hold nede for at starte)** igen for at starte det nye program.

Kun tørring

Følg disse anvisninger for at tørre fugtigt tøj eller vasketøj der lige er blevet vasket.



1. Tryk på **Tænd/sluk** for at tænde vaskemaskinen.
2. Tryk på **Tørrefunktion** gentagne gange indtil det ønskede tørreniveau er vist.
3. Tryk og hold nede **Start/Pause (Hold nede for at starte)**.

For at ændre program under drift




1. Tryk på knappen **Start/Pause (Hold nede for at starte)** for at standse driften.
2. Vælg et andet program.
3. Tryk på knappen **Start/Pause (Hold nede for at starte)** igen for at starte det nye program.

Betjening


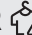



Programoversigt

Standardprogrammer

Program	Beskrivelse og maks. kapacitet (kg)	
BOMULD ☁	<ul style="list-style-type: none">Til bomuld sengelinned, bordduge, undertøj, håndklæder eller skjorter. Vasketiden og skyllemængden bliver automatisk justeret afhængig af tøj mængden.	Maks.
SYNTETISK △	<ul style="list-style-type: none">Til bluser eller skjorter som er af polyester (diolen, trevira), polyamid (perlon, nylon) eller lignende.	4,0
FIN VASK 🧺	<ul style="list-style-type: none">Ved skrøbeligt stof såsom rayon, viskose og syntetiske fibre.For optimalt resultat bruges flydende vaskemiddel.	2,0
UDENDØRS TØJ 🏠	<ul style="list-style-type: none">Til udendørstøj, skitøj og sportstøj som er fremstillet af materialer såsom spandex, stræk og mikrofiber	2,0
SKYL + CENTRIFUGERING 🧺🌀	<ul style="list-style-type: none">Omfatter yderligere en skylning efter at skyllemiddel er tilført vasketøjet.	Maks.
ULD 🐑	<ul style="list-style-type: none">Særligt til uld der tåler maskinvask og mængder under 2,0 kg.🐑 uldprogrammet har let pulseren og iblodsætning, for at beskytte uldfibrene mod at krympe eller skifte form.Neutral vaskemiddel anbefales.	2,0
ECO DRUM CLEAN 🧺	<ul style="list-style-type: none">Renser tromlen ved at fjerne snavs og bakterier.Renser gummilisterne ved døren ved at fjerne skidt og snavs.Udfør kun en gang for hver 40 vaske og uden at tilføje vaskemiddel eller blegemidler. Den giver en besked for hver 40. vask.Sørg for at tromlen er tom.Brug ikke rengøringsmidler til at rengøre tromlen.	-



Program	Beskrivelse og maks. kapacitet (kg)	
KVIK VASK 15' 	<p>Til let snavset tøj, mindre end 2,0 kg, som du har brug for hurtigt.</p> <ul style="list-style-type: none"> • Brug mindre end 20 gram vaskemiddel. Brug af mere end 20 gram vaskemiddel kan efterlade sæberester. • Ved flydende vaskemiddel skal der højst bruges 20 ml. 	2,0
DAGLIG VASK 	<ul style="list-style-type: none"> • Bruges til hverdagsvask af f.eks. undertøj og trøjer. 	4,0
SUPER ECO WASH 	<ul style="list-style-type: none"> • Eco-Bubble med lavtemperatur bidrager til energibesparelse. 	4,0

Tørre programmer



Program	Beskrivelse og maks. kapacitet (kg)	
BOMULD TØR 	<ul style="list-style-type: none"> • Til generel tørring. 	5,0
SYNTETISK TØR 	<ul style="list-style-type: none"> • Et tørreprogram ved lav temperatur til varmfølsomme stoffer. 	3,0
AIR Wash 	<ul style="list-style-type: none"> • Dette program er praktisk til fjernelse af dårlig lugt. Drejer du programvælgeren, køres gennem følgende driftstilstande. 	1,0
HURTIG VASK+TØR 	<ul style="list-style-type: none"> • Yderligere tørring kan være nødvendigt afhængigt af mængde og tykkelse. <p> BEMÆRK Maksimal opfyldning (4,5 kg) er testet i henhold til IEC-standarder (4 bomuldspuder, 3 bomuldshåndklæder, 5 puder, 10 trøjer).</p>	4,5

Betjening

Tilvalg

Tilvalg		Beskrivelse
	Intensiv	<ul style="list-style-type: none">Til meget snavset vasketøj. Driftstiden for hvert program er længere end normalt.
	Forvask	<ul style="list-style-type: none">Dette vil tilføje en indledende vask inden hovedvasken.

Tørrefunktion

Tilvalg		Beskrivelse
	Skabstørt	<ul style="list-style-type: none">Vælg at tørre vasketøjet automatisk med beregning af mængde og vægt på vasketøjet. Vælg denne for at tørre bomuldstøj såsom bukser, t-shirts og undertøj.
	Tørretid	<ul style="list-style-type: none">Bruges til at tørre vasketøjet i et bestemt tidsinterval efter materiale, mængde og fugtighed.

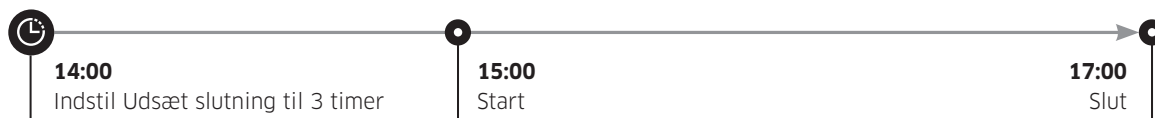
Udsat sluttid

Du kan indstille vaskemaskinen til at færdiggøre vasken automatisk på et senere tidspunkt. Du kan vælge en forsinkelse på mellem 1 og 24 timer (i intervaller af en time). Den viste tid indikerer tidspunktet, hvor vaskeprogrammet vil være færdigt.

1. Vælg et program med nødvendige indstillinger.
2. Tryk på **Udsat sluttid** (eller +/- knappen) gentagne gange indtil den ønskede sluttid vises.
3. Tryk og hold nede **Start/Pause (Hold nede for at starte)**. Udsat sluttid indikatoren blinker og vaskemaskinen tumbler tromlen, for at måle vægten af vasketøjet, hvis vægtsensor er valgt for det pågældende program. Når den er færdig, viser den din indstillede tid sammen med timeren.
4. For annullere Udsat sluttid, genstartes vaskemaskinen ved at trykke på **Tænd/sluk**.

Eksempel

Du vil gerne afslutte et totimers program om 3 timer fra nu. Til at gøre dette tilføjer du Udsat sluttid funktionen til det nuværende program med en 3-timers indstilling, tryk og hold nede på **Start/Pause (Hold nede for at starte)** knappen ved 14:00. Hvad sker der så? Vaskemaskinen begynder at vaske kl. 15:00 og slutter kl. 17:00. Nedenfor vises eksemplets tidslinje.



Vægtsensor

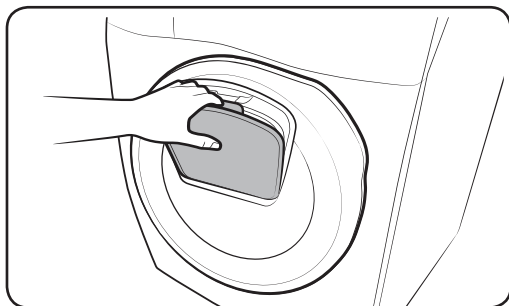
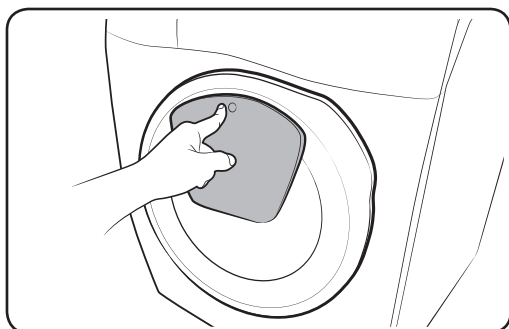
Vægtsensorens ikon lyser på, når du vælger et program der understøtter vægtsensor. Visse programmer understøtter ikke vægtsensor. Når du starter programmet, vil ikonet blinke eller lyse konstant mens der måles, og dernæst slukke når processen er færdig.

Betjening

Særlige funktioner

AddWash

Når AddWash indikatoren  tænder, kan du standse maskinens drift og lægge mere vasketøj eller skyllemiddel i tromlen. Add Door åbner mere end 130° for lettere tilgang.



1. Tryk på knappen **Start/Pause (Hold nede for at starte)** for at standse driften.
2. Tryk på det øverste område af Add Door indtil du hører en kliklyd for at låse op. Træk i håndtaget på Add Door for at åbne.
3. Åbn Add Door og ilæg yderligere vasketøj eller skyllemiddel i tromlen.
4. Tryk på Add Door indtil du hører en kliklyd for at lukke.
5. Tryk og hold nede **Start/Pause (Hold nede for at starte)** for at fortsætte program.

FORSIGTIG

Undgå at trykke meget hårdt på Add Door. Den kan gå i stykker.

BEMÆRK

Vandet indeni tromlen lækker ikke, hvis Add Door er lukket korrekt. Der kan opstå vanddråber rundt om vinduet, men det er ikke læk fra tromlen.

FORSIGTIG

- Åbn ikke Add Door hvis mængden af sæbeskum overstiger dørens niveau Add Door.
- Forsøg ikke at åbne Add Door, mens maskinen er i drift, uden først at trykke på **Start/Pause (Hold nede for at starte)**. Bemærk venligst at Add Door kan åbnes af sig selv (uden at trykke på **Start/Pause (Hold nede for at starte)**) når vasken er færdig.
- Undgå at presse for meget gennem Add Door. Ydelsen kan falde.
- Brug ikke den nedre del af Add Door som håndtag. Du kan få fingrene i klemme.
- Sørg for at der ikke sidder vasketøj fast i Add Door.
- Sørg for at dine kæledyr ikke kommer ind i vaskemaskinen, især Add Door.
- Ved brug af varmt vand til vask, kan Add Door se ud til at lække vand efter åbning og lukning af Add Door. Det er normalt, fordi der kommer damp ud fra den åbne Add Door som er afkølet og der dannes vanddråber på overfladen.
- Når Add Door lukker, vil den slutte tæt så vand ikke kan lække. Men du kan opleve, hvad der ligner vandlæk rundt om døren - små mængder vand omkring Add Door kan danne vanddråber. Dette er normalt.
- Hverken primærdøren eller Add Door kan åbnes, når vandtemperaturen er mere end 50 °C. Hvis vandniveauet i tromlen er over et vist punkt, kan primærdøren ikke åbnes.
- Hvis informationskoden "**DDC**" vises på displayet, skal du se efter sektionen "**Informationskoder**" for at finde ud af hvad du kan gøre.
- Hold altid Add Door og området omkring rent. Aflejringer eller fnug på eller rundt om forsejlingen på Add Door kan medføre læk.

Betjening

Indstillinger

Børnelås

For at undgå at børn kommer til at starte eller indstille vaskemaskinen ved et uheld, låser Børnelås for alle knapper undtagen Tænd/Sluk-knappen.

For at deaktivere Børnelås

- Tryk og hold nede på - og + (ved Udsat sluttid-funktionen) samtidig i 3 sekunder.
Tryk og hold inde på Start/Pause (Hold nede for at starte) for at aktivere. Døren låses og Børnelås-indikatoren tænder.

For at deaktivere Børnelås midlertidigt

Du kan deaktivere Børnelås midlertidigt i 1 minut. Døren låses op i 1 minut og Børnelås-indikatoren blinker.

- Tryk og hold nede på - og + (ved Udsat sluttid-funktionen) samtidig i 3 sekunder.

BEMÆRK

- Hvis du åbner døren 1 minut eller længere tid efter at have deaktiveret Børnelåsen, lyder der en alarm i op til 2 minutter.
- Hvis du lukker døren indenfor 2 minutter, vil døren låse og Børnelåsen aktiveres igen. Hvis du ikke lukker døren eller hvis døren ikke er lukket korrekt, vil alarmen fortsætte i 2 minutter.
- For at tilføje vasketøj efter aktivering af børnelåsen, skal børnelåsen først deaktiveres eller vaskemaskinen genstartes.

For at annullere Børnelås

- Tryk og hold nede på - og + (ved Udsat sluttid-funktionen) samtidig i 3 sekunder for at deaktivere og tryk dernæst og hold nede på knapperne igen i 3 sekunder for at annullere børnelåsen. Døren låses op og Børnelås-indikatoren slukker.

Lyd Til/Fra

Du kan tænde eller slukke for lyden fra vaskemaskinen. Når denne funktion er slået fra, vil AddWash-alarmen, tonen ved afslutning af program og sluk-bip ikke høres. Men andre lyde forbliver aktive.

- For at slukke lyden, skal du trykke og holde nede på Tørrefunktion i 3 sekunder.
- For at tænde lyden, skal du trykke og holde nede igen i 3 sekunder.
- Din indstilling bliver gemt, også når du har genstartet maskinen.

SmartThings

Wi-Fi-forbindelse

Gå til Indstillinger på din Smartphone og tænd for trådløs forbindelse og vælg AP (Access Point).

BEMÆRK

- Enheden er kun beregnet til brug i husholdninger (Klasse B) og kan bruges i alle boligområder.
- Denne enhed kan medføre trådløs interferens og hverken producenten eller installatøren af enheden kan undgå at dette sker.
- Anbefalede krypteringsformer er WPA/TKIP og WPA2/AES. Nyligt udviklede Wi-Fi-protokoller eller ikke-godkendte Wi-Fi-protokoller understøttes ikke.
- Modtagelsen af trådløst netværk kan være påvirket af omgivende trådløse signaler.
- Hvis din internetudbyder har registreret MAC-adressen på din PC eller modem-modulet til permanent brug, kan din Samsung-vaskemaskine ikke forbindes til internettet. Hvis dette sker, skal du kontakte din internetudbyder.
- Internet-firewall kan forstyrre din internetforbindelse. Hvis dette sker, skal du kontakte din internetudbyder.
- Hvis internetfejlen fortsætter efter at have kontaktet din internetudbyder, skal du kontakte din lokale Samsung-forhandler eller servicecenter.
- For installation af kablede og trådløse routere henvises til brugermanualen for den router du bruger.
- Samsung-vaskemaskinen understøtter Wi-Fi 2,4 GHz protokoller.
- Samsung-vaskemaskinen understøtter IEEE802.11 b/g/n (2,4 GHz), Soft-AP-protokoller. (IEEE802.11n er anbefalet)
- En ikke-godkendt kablet/trådløs router kan fejle ved forbindelse til Samsung-vaskemaskinen.

Download

På et app-marked (Google Play Store, Apple App Store, Samsung Galaxy Apps), finde SmartThings-appen med en søgning på "SmartThings". Download og installer appen på din enhed.

BEMÆRK

- SmartThings-appen er tilgængelig på tredjepartsenheder med Android OS 6.0 (Marshmallow) eller højere, Samsung-enheder med Android OS 5.0 (Lollipop) eller højere og iOS-enheder med iOS 10.0 eller højere. Til iPhones, skal være iPhone 6 eller højere. Appen er optimeret til Samsung smartphones (Galaxy S og Note-serien).
- Visse funktioner i denne app, kan virke anderledes på tredjepartsenheder.
- Appen kan ændres uden varsel for at forbedre ydelsen.

Betjening

Log ind

Du skal først logge ind på SmartThings med din Samsung-konto. For at oprette en Samsung-konto, skal du følge instruktionerne i appen. Du behøver ikke en separat app for at oprette din konto.

BEMÆRK

Hvis du har en Samsung-konto bruges denne konto til at logge ind. En registreret Samsung smartphonebruger logger automatisk ind.

For at registrere din enhed til SmartThings

1. Sørg for at din smartphone er forbundet til et trådløst netværk. Hvis ikke gå da til **Settings (indstillinger)** og tænd for den trådløse forbindelse og vælg AP (adgangspunkt).
2. Vælg for at køre **SmartThings** på din smartphone.
3. Når beskeden "A new device is found." ("Ny enhed fundet.") vises vælges **Add (tilføj)**.
4. Hvis der ikke vises en besked vælges + og dernæst vælges vaskemaskinen fra en liste over tilgængelige enheder. Hvis din vaskemaskinen ikke fremgår af listen vælges **Device Type (enhedstype) > Specific Device Model (særlig enhedsmodel)**, hvorefter vaskemaskinen tilføjes manuelt.
5. Registrer din vaskemaskine til SmartThings-app på følgende måde.
 - a. Log ind på SmartThings med din Samsung-konto.
 - b. Tænd for Wi-Fi-forbindelse.
 - c. Tilføj din vaskemaskine til SmartThings. Sørg for at din vaskemaskine er forbundet til SmartThings.
 - d. Når registreringen er færdig vises din vaskemaskine på din smartphone.

Vaskemaskine-app

Integreret styring: Du kan overvåge og styre din vaskemaskine både hjemme og mens du er ude.

- Vælg Vaskemaskine-ikonet i SmartThings. Vaskemaskinens side vises.
- Kontroller driftsstatus eller notifikationer angående din vaskemaskine og skift indstillinger eller valg hvis nødvendigt.

SmartThings

Kategori	Kontrolpunkt	Beskrivelse
Overvågning	Vaskestatus	Du kan kontrollere det nuværende program og dets valg samt den resterende programtid.
	Smart Control	Smart Control status vises for vaskemaskinen.
	Selvkontrol	Brug denne til at kontrollere, om vaskemaskinen fungerer korrekt.
	Energiovervågning	Brug denne til at overvåge status på energiforbrug.
Kontrol	Start/Pause/Annuller	Vælg et program og ønskede tilvalg og tryk dernæst Start/Pause/Annuller for at starte progeammet, stoppe det midlertidigt eller helt annullere det igangværende program.
	Min favorit	Tilføj ofte brugte programmer og tilvalg til Min Favorit til senere brug.
Notifikation	Program færdigt	Giver dig besked, når det igangværende program er færdigt.
	AddWash alarm (kun udvalgte modeller)	Giver dig besked om tilførsel af nyt vasketøj.
	Tilbageværende vasketøj (kun udvalgte modeller)	Giver dig besked om tilbageværende vasketøj efter programmet er færdigt.

Betjening

Kategori	Kontrolpunkt	Beskrivelse
Q-Rator	Vaskeanvisning *	Du kan vælge stoftype, farve og grad af snavs, for at få anbefalede indstillinger og vaskeprogrammer, som du kan starte med det samme.
	Vaskeplan *	Du kan indstille den ønskede tid for hvornår et program skal være færdigt. Når du har valgt den ønskede tid, får du anbefalet et program, der kan afslutte indenfor den valgte tid og du kan starte eller reservere det anbefalede program.
	HomeCare Wizard *	Giver jævnlige rapporter med en analyse om maskinens tilstand i brugerindstillet frekvens (hver uge/måned). Du kan bruge denne regelmæssige rapport til at kontrollere dit brugsmønster, behov for vedligehold og energiforbrug ** for den valgte tidsperiode.
	* Kræver 'SmartThings', fås til Android og iOS. Tilmelding nødvendig. ** Kun omtrentlige tal.	

Annoncering om Open Source

Software inkluderet i dette produkt, indeholder Open Source software. Du kan få den fulde kildekode i op til 3 år efter den sidste forsendelse af dette produkt, ved at sende en e-mail til: oss.request@samsung.com.

Det er også muligt, at få den fulde kildekode i fysisk form såsom en CD-ROM, mod betaling af et mindre beløb.

Den følgende internetadresse URL http://opensource.samsung.com/opensource/SMART_AT_051/seq/0 fører til downloadsiden, hvor informationer om kildekoden og Open Source licenser relateret til dette produkt kan findes. Dette tilbud er gyldigt for alle der modtager denne information.



BEMÆRK

Hermed erklærer Samsung Electronics, at apparatet til radioudstyr er i overensstemmelse med direktiv 2014/53 / EU. Den fulde ordlyd af EU-overensstemmelseserklæringen er tilgængelig på følgende internetadresse: Den officielle erklæring om overensstemmelse kan findes på <http://www.samsung.com>, gå til Support > Søg Produktsupport og indtast modelnavn.

Wi-Fi maks. signaleffekt: 20 dBm ved 2,412GHz - 2,472GHz

Vedligehold

Hold vaskemaskinen ren for at undgå forringet ydelse og for at forlænge levetiden.

Eco drum clean

Udfør dette program jævnligt for at rense tromlen ved at fjerne bakterier fra den. Dette program opvarmer vandet til mellem 60 °C og 70 °C, og fjerner også opsamlet snavs på dørens gummiliste.

1. Tryk på **Tænd/sluk** for at tænde vaskemaskinen.
2. Drej **Programvælgeren** for at vælge **ECO DRUM CLEAN**.
3. Tryk og hold nede på **Start/Pause (Hold for at starte)**.

FORSIGTIG

Brug ikke rengøringsmidler til at rengøre tromlen. Kemiske aflejringer i tromlen kan medføre beskadigelse af tøj eller tromlen på vaskemaskinen.

Påmindelse om ECO DRUM CLEAN

- **ECO DRUM CLEAN**-påmindelsen vises på hovedskærmen for hver 40 vaske. Det anbefales jævnligt at udføre **ECO DRUM CLEAN**.
- Første gang, du får vist denne påmindelse, kan du ignorere den op til 6 vaske i træk. Fra den 7. vask vises påmindelsen ikke længere. Den vises dog igen, næste gang du har vasket 40 vaske.

Smart Check

For at aktivere denne funktion skal du først downloade appen “Samsung Smart Washer” fra Play Store eller App Store og installere den på en mobil enhed der har et kamera.

Funktionen smartkontrol er optimeret til Galaxy & iPhone serierne (kun udvalgte modeller).

1. Når vaskemaskinen opdager et problem, vises der en informationskode i displayet. For at gå til Smart Check-tilstand, tryk og hold nede på **Sky** og **Centrifugering** samtidig i 3 sekunder.
2. Vaskemaskinen påbegynder sin selvdiagnosticering og viser en informationskode hvis der bliver fundet et problem.
3. Start Samsung Smart Washer appen på din mobile enhed og tryk Smart Check.
4. Sæt den mobile enhed op foran vaskemaskinens display, sådan at den din smartphones kamera og vaskemaskinen har fronten mod hinanden. Dernæst bliver informationskoden automatisk genkendt af appen.
5. Når informationskoden er korrekt genkendt, giver appen detaljerede informationer om problemet og mulige løsninger.

BEMÆRK


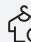
- Funktionsnavnet, Smart Check, kan variere efter sprog.
- Hvis vaskemaskinen reflekterer lys på displayet, kan appen muligvis ikke genkende informationskoden.
- Hvis appen gentagne gange ikke kan genkende Smart Check-koden indtastes informationskoden manuelt i appen.

Vedligehold

Brug af tørringsprogrammet

Alle tørreindstillinger, undtagen indstillingen Tidstørring, vejer vasketøjet for at vise en mere præcis tørretid samt tørre vasketøjet mere effektivt.

Se tabellen nedenfor for at vælge den ønskede tørreindstilling, efter type og mængde vasketøj samt den ønskede tørringsgrad.

Indstilling	Tørreindstilling	Brug	Vægtkapacitet (kg)	
			BOMULD TØR	SYNTETISK TØR
Auto-tørring	 Skabstørt	Brug denne indstilling til at tørre vasketøj såsom bomuld, undertøj og linned.	5 kg	3 kg
Manuel tørring	 Tørretid	Brug denne indstilling til at tørre vasketøjet i en bestemt tidsperiode afhængigt af fibre, mængden af vasketøj og fugt.	30 ~ 270 min. (i 30 minutters intervaller).	30 ~ 270 min. (i 30 minutters intervaller).

BEMÆRK

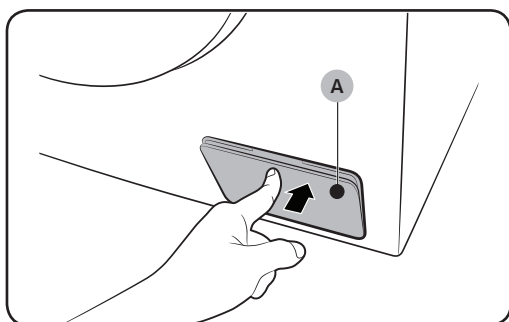
- Tørringsresultatet kan variere afhængigt af det valgte vaskeprogram og type/mængde af vasketøj.
- Hvis både vaske- og tørreprogrammet er valgt, vil centrifugehastigheden automatisk blive sat til at forbedre effektiviteten i tørringen.
- Hvis du gerne vil tørre vasketøj efter vask i hånden drejes programvælgeren for at vælge et centrifugeprogram, og dernæst vælges tørreindstilling for det bedste resultat.
- Når tørringen er færdig, kan støv fra tørre overflader på tøjet ligge tilbage grundet strygelet som forhindrer krøllet tøj. Støvet vil blive vasket bort i den efterfølgende vask. Alternativt kan du let fjerne det med et fugtigt håndklæde eller en klud.

FORSIGTIG

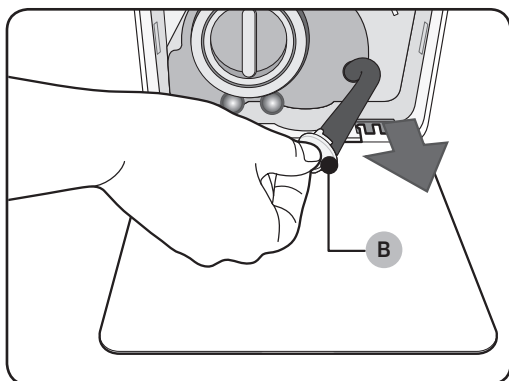
- Brug ikke tørreindstillingen efter at have tilført klorin til vasketøjet under et vaske- eller tørreprogram. I modsat fald kan vasketøjet blive misfarvet eller materialet kan tage skade.
- Brug ikke tørreindstillingen til tøj med pels eller tøj fremstillet af akryl. Dette kan medføre at tørreindstillingen ødelægges.
- Rør ikke ved tromlens inderside eller vaskemaskinens overflade under eller straks efter tørring da den kan være varm. Dette kan medføre forbrændinger.

Nødafledning

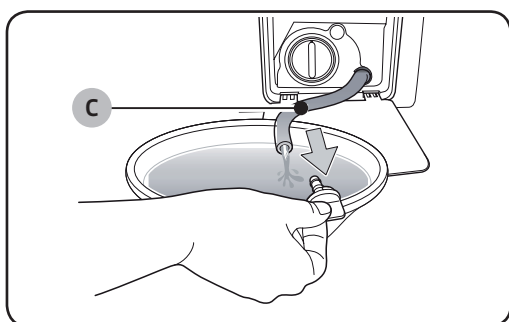
I tilfælde af strømafbrydelser skal vandet ledes ud af tromlen inden vasketøjet tages ud.



1. Sluk og vaskemaskinens stik ud af stikkontakten.
2. Tryk forsigtigt på **filterdækslet (A)** for at åbne.



3. Sæt en tom, rummelig beholder rundt om dækslet, og træk i røret til sikkerhedstømning mens der holdes fast i **rørdækslet (B)**.



4. Åbn rørdækslet og lad vandet i **nødtømmingsslangen (C)** flyde ind i beholderen.
5. Dernæst lukkes rørdækslet og røret indsættes påny. Luk derefter filterdækslet.

BEMÆRK

Brug en rummelig beholder fordi vandmængden i tromlen kan være større end forventet.

Vedligehold

Rengøring

Overfladen på vaskemaskinen

Brug en blød klud med mildt rengøringsmiddel. Sprøjt ikke vand på vaskemaskinen.

Add Door



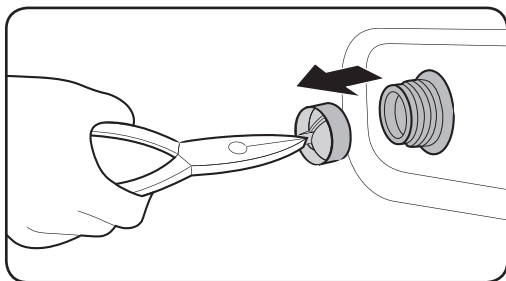
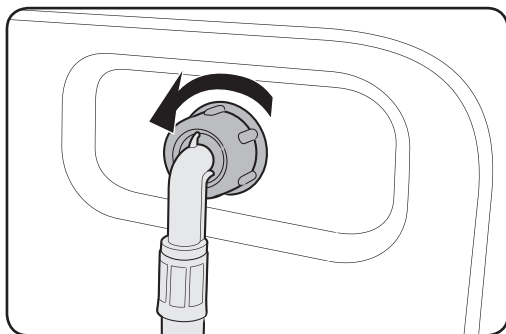
1. Åbn Add Door.
2. Brug en våd klud til at rense Add Door.
 - Brug ikke rengøringsmidler. Det kan medføre misfarvninger.
 - Vær forsigtig ved rengøring af gummipakninger og låsemekanismen (A).
 - Aftør vinduesområdet jævnligt.
3. Aftør og luk Add Door indtil du hører en kliklyd.

⚠ FORSIGTIG

- Undgå at trykke hårdt på Add Door. Den kan gå i stykker.
- Efterlad ikke Add Door åben, mens maskinen er i drift.
- Læg aldrig nogensinde tunge genstande på Add Door.
- For at undgå fysisk skade, skal du ikke røre ved Add Door mens tromlen roterer.
- Åbn ikke Add Door, mens maskinen er i drift. Dette kan medføre fysiske skader.
- Brug ikke funktionspanelet mens Add Door er åben. Dette kan medføre fysiske skader eller systemfejl.
- Ilæg ikke andre genstande end vasketøj.
- Ilæg ikke store genstande i tromlen gennem Add Door.
- Aftag ikke gummipakningerne på Add Door ved rensning. Dette kan medføre skader.

Meshfilter

Rens meshfilteret i vandforsyningsslangen en eller to gange om året.



1. Sluk for maskinen og fjern strømledningen.
2. Luk for vandhanen.
3. Løsn og skru vandforsyningsslangen af på vaskemaskinens bagside. Tildæk slangen med en klud for at undgå at der løber vand ud.
4. Brug en tang til at trække meshfilteret ud fra indgangsventilen.
5. Læg meshfilteret i vand så det er helt dækket, og den trådede forbindelsesklemme også er under vand.
6. Tør meshfilteret helt i skyggen.
7. Genindsæt meshfilteret i indgangsventilen, og tilslut igen vandslangen til indgangsventilen.
8. Åbn for vandhanen.

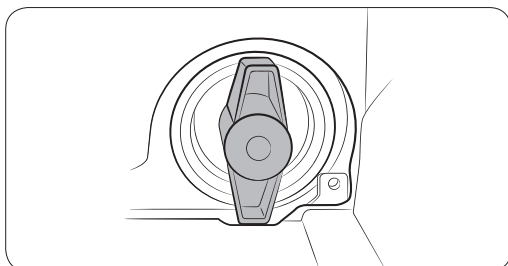
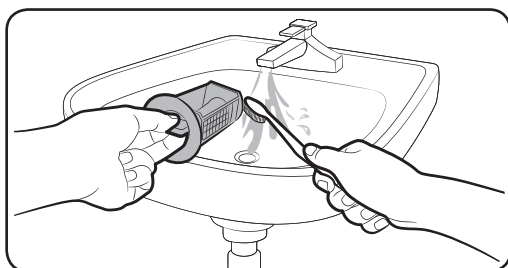
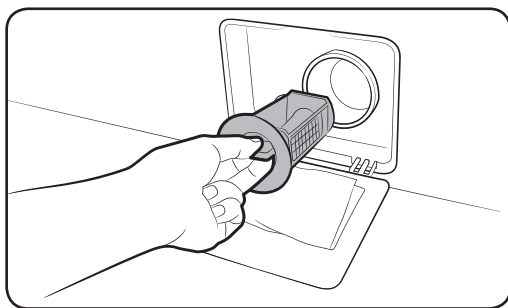
BEMÆRK

Hvis meshfilteret er dækket, vil informationskoden "4C" blive vist på skærmen.

Vedligehold

Pumpefilter

Det anbefales at rense pumpefilteret 5 eller 6 gange om året for at undgå at det tilstoppes. Et tilstoppet pumpefilter kan mindske mængden af sæbeskum.



1. Sluk for maskinen og fjern strømledningen.
2. Tøm det resterende vand inden i tromlen. Se sektionen "Nødafledning".
3. Tryk forsigtigt på **filterdækslet** for at åbne.
4. Drej pumpefilterets knop til venstre og udtøm det resterende vand.
5. Rens pumpefilteret med bløde børster. Kontroller, at afledningspumpens propel inden i filteret ikke er blokeret.
6. Indsæt filteren igen og træk filterknoppen til højre.

BEMÆRK

- Visse pumpefiltre har en sikkerhedsknop, som er designet til at undgå uheld med børn. For at åbne sikkerhedsknoppen til pumpefilteret, tryk ind og drej mod uret. Fjedermekanismen på sikkerhedsknoppen hjælper med til at åbne filteret.
- For at åbne sikkerhedsknoppen til pumpefilteret drejes det med uret. Fjederen laver en raslende lyd, dette er normalt.

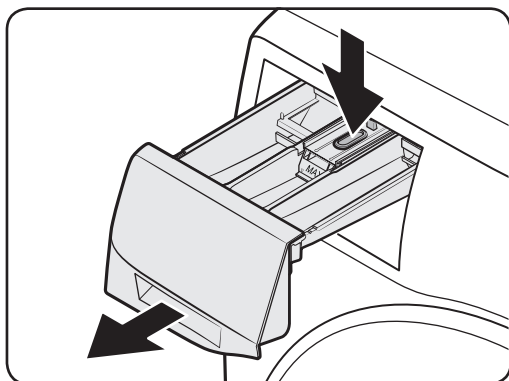
BEMÆRK

Hvis pumpefilteret er tilstoppet, vil informationskoden "5C" blive vist på skærmen.

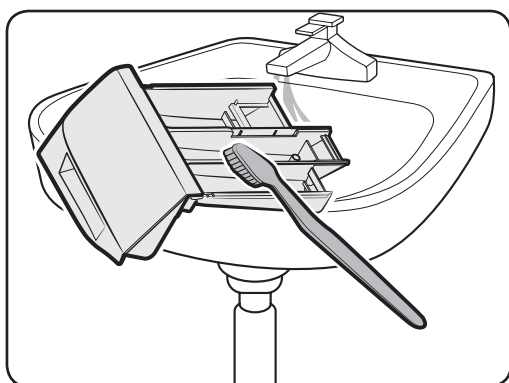
FORSIGTIG

- Sørg for at filterdækslet er korrekt lukket efter rensning af filteret. I modsat fald kan der opstå lækage.
- Sørg for at filteret er korrekt indsat efter rensningen. I modsat fald kan der opstå driftsfejl eller en lækage.

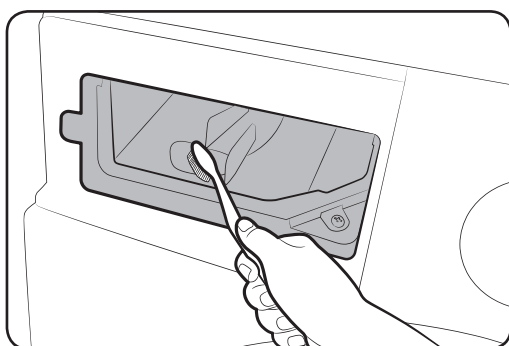
Sæbeskuffe



1. Mens du holder **udløseren nede** inde i skuffen kan skuffen trækkes ud.



2. Rens skuffens komponenter under rindende vand og med en blød børste.



3. Rens skuffens udskæring med en blød børste.
4. Indsæt igen udløsergrebet og beholderen til flydende vaskemiddel i skuffen.
5. Skub sæbeskuffen ind for at lukke den.

BEMÆRK

For at fjerne resterende vaskemiddel udføres programmet **SKYL + CENTRIFUGERING** med en tom tromle.

Vedligehold

Gendannelse efter frost

Vaskemaskinen kan blive udsat for frostgrader når temperaturen kommer under 0 °C.

1. Sluk for maskinen og fjern strømledningen.
2. Hæld varmt vand på vandhanen for at løsne vandtilførselsslagen.
3. Fjern vandtilførselsslagen, og læg den i varmt vand.
4. Hæld varmt vand i tromlen, og lad det virke i 10 minutter.
5. Sæt igen vandtilførselsslagen på vandhanen.

BEMÆRK

Hvis vaskemaskinen stadig ikke fungerer normalt gentages ovenstående trin indtil den virker normalt.

Eftersyn efter lang tid uden brug

Undgå at lade vaskemaskinen stå ubrugt hen i længere tid. Hvis dette sker skal vaskemaskinen tømmes for vand og strømledningen afkobles.

1. Drej **programvælgeren** for at vælge **SKYL+CENTRIFUGERING**.
2. Tøm tromlen og tryk og hold nede på **Start/Pause (hold for at starte)**.
3. Når programmet er slut lukkes for vandhanen og vandtilførselsslagen afkobles.
4. Sluk for maskinen og fjern strømledningen.
5. Åbn døren for at lade luft cirkulere gennem tromlen.

Fejlfinding

Kontrolpunkter

Hvis du oplever et problem med vaskemaskinen, skal du først se tabellen nedenfor og prøve forslagene.


Problem	Handling
Starter ikke.	<ul style="list-style-type: none">• Kontroller, at vaskemaskinen er sat til.• Sørg for at døren er ordentligt lukket.• Sørg for at vandhanen er åben.• Sørg for at trykke på Start/Pause (Hold nede for at starte) for at starte vaskemaskinen.• Sørg for at Børnelås  ikke er aktiveret.• Inden vaskemaskinen begynder at blive fyldt, vil den lave en række kliklyde for at kontrollere dørlåsen og laver så en hurtig tømning.• Kontroller sikringen eller nulstil stikkontakten.
Vandforsyningen er utilstrækkelig eller slet intet vand.	<ul style="list-style-type: none">• Åbn helt op for vandhanen.• Sørg for at døren er ordentligt lukket.• Kontroller, at vandtilførselsslangen ikke er frosset til.• Sørg for at vandtilførselsslangen ikke er snoet eller tilstoppet.• Sørg for at vandtrykket er tilstrækkeligt.
Efter et program er der stadig sæbe i sæbeskuffen.	<ul style="list-style-type: none">• Kontroller, at vaskemaskinen kører med et tilstrækkeligt vandtryk.• Sørg for, at vaskemidlet kommer ned i midten af sæbeskuffen.• Sørg for at skylledækslet er ordentligt indsat.• Ved brug af granuleret sæbe, sørg for at sæbevælgeren er i den øverste position.• Fjern skylledækslet og rens sæbeskuffen.
Kraftige vibrationer eller larm.	<ul style="list-style-type: none">• Sørg for at vaskemaskinen er installeret på et jævnt, solid gulv som ikke er glat.• Hvis gulvet ikke er jævnt bruges udjævningsfødderne til at justere højden på vaskemaskinen.• Kontroller, at fragtboltene er fjernet.• Kontroller, at vaskemaskinen ikke er i berøring med en anden genstand.• Kontroller, at vasketøjet er fyldt jævnt i.• Motoren kan afgive støj under normal drift.• Overalls eller tøj dekoreret med metal kan medføre støj under vask. Dette er normalt.• Metalgenstande såsom mønter kan medføre støj. Efter vask fjernes disse genstande eventuelt fra tromlen eller filteret.

Fejlfinding

Problem	Handling
Tømmes ikke og/eller centrifugerer.	<ul style="list-style-type: none">• Sørg for at drænslangen er lige hele vejen gennem afledningssystemet. Hvis du oplever et problem med tømning ringes der efter service.• Kontroller, at filteret ikke er tilstoppet.• Luk døren og tryk på Start/Pause (Hold nede for at starte). Af hensyn til din sikkerhed, vil vaskemaskinen ikke tumble eller centrifugere medmindre døren er lukket.• Sørg for at drænslangen ikke er frossen eller tilstoppet.• Sørg for at drænslangen er forbundet til et afledningssystem som ikke er tilstoppet.• Hvis vaskemaskinen ikke får nok strøm, vil vaskemaskinen midlertidigt standse tømningen eller omdrejningen. Så snart vaskemaskinen igen får nok strøm, vil den igen køre normalt.
Døren åbner ikke.	<ul style="list-style-type: none">• Tryk på Start/Pause (Hold nede for at starte) for at standse vaskemaskinen.• Det kan tage få øjeblikket for dørens låsemekanisme at slå fra.• Døren kan ikke åbnes før 3 minutter efter, maskinen er stoppet, eller der er slukket for maskinen.• Sørg for, at maskinens tromle er tømt for vand.• Døren kan måske ikke åbnes hvis der stadig er vand i tromlen. Tøm tromlen og åbn døren manuelt.• Sørg for at lyset i dørlåsen er slukket. Lyset i dørlåsen slukker når vaskemaskinen er tømt for vand.
Store mængder skum.	<ul style="list-style-type: none">• Sørg for at bruge de anbefalede typer af vaskemiddel.• Brug koncentreret vaskemiddel for at undgå for meget skum.• Reducer mængden af vaskemiddel i blødt vand, mindre vaske eller let våde vaske.• Ikke-koncentreret vaskemiddel anbefales ikke.
Kan ikke tilføre ekstra vaskemiddel.	<ul style="list-style-type: none">• Sørg for at den resterende mængde vaskemiddel og skyllemiddel ikke overstiger grænsen.

Problem	Handling
Stop.	<ul style="list-style-type: none"> • Sæt strømledningen i en fungerende stikkontakt. • Kontroller sikringen eller nulstil stikkontakten. • Luk døren og tryk på Start/Pause (Hold nede for at starte) for at starte vaskemaskinen. Af hensyn til din sikkerhed, vil vaskemaskinen ikke tumble eller centrifugere medmindre døren er lukket. • Inden vaskemaskinen begynder at blive fyldt, vil den lave en række kliklyde for at kontrollere dørlåsen og laver så en hurtig tømning. • Der kan være en pause eller opblødningsperiode under programmet. Vent kort tid og se om vaskemaskinen starter. • Sørg for at meshfilteret til vandforsyningsslangen ved vandhanen ikke er tilstoppet. Rens meshfilteret med jævne mellemrum. • Hvis vaskemaskinen ikke får nok strøm, vil vaskemaskinen midlertidigt standse tømningen eller omdrejningen. Så snart vaskemaskinen igen får nok strøm, vil den igen køre normalt.
Fyldes med den forkerte vandtemperatur.	<ul style="list-style-type: none"> • Åbn begge haner helt op. • Sørg for at temperaturvalget er korrekt. • Sørg for at slangerne er forbundet til den rigtige haner. Skyl vandrør igennem. • Sørg for at vandvarmeren er sat til at levere minimum 49 °C (120 °F) varmt vand i hanen. Kontroller også at vandvarmerens kapacitet og opvarmningstid. • Kobl slangerne fra og rens meshfilteret. Meshfilteret kan være tilstoppet. • Mens vaskemaskinen fyldes kan vandtemperaturen skifte, når den automatiske temperaturkontrol kontrollerer temperaturen på vandet som løber ind. Dette er normalt. • Når vaskemaskinen fyldes, kan du opleve at kun varmt og/ eller kun koldt vand kommer ud, når kolde eller varme temperaturer er valgt. Dette er en normal funktion for den automatiske temperaturkontrol, når vaskemaskinen undersøger vandets temperatur.

Fejlfinding

Problem	Handling
Tøjet er vådt når programmet slutter.	<ul style="list-style-type: none">• Brug Høj eller Ekstra høj centrifugeringshastighed.• Brug koncentreret vaskemiddel for at undgå for meget skum.• Mængde af vasketøj er for lille. Små mængder vasketøj (en eller to genstande), kan komme ud af balance og ikke centrifugeres korrekt.• Sørg for at drænslangen ikke er snoet eller tilstoppet.
Lækker vand.	<ul style="list-style-type: none">• Sørg for at døren er ordentligt lukket.• Sørg for at alle slangetilslutninger er tætte.• Sørg for at enden af drænslangen er korrekt indsat og sikret til afledningssystemet.• Undgå overfyldning.• Brug koncentreret vaskemiddel for at undgå for meget skum.
Lugter grimt.	<ul style="list-style-type: none">• Store mængder skum samles i folder og kan medføre grim lugt.• Kør renseprogram for at vedligeholde hygiejnen med jævne mellemrum.• Rens dørforseglingen (membran).• Tør vaskemaskinens interiør når et program er afsluttet.
Ingen synlige bobler (kun Bubbleshot modeller).	<ul style="list-style-type: none">• Overfyldning kan dække bobler.• Ekstremt snavset tøj genererer muligvis ikke bobler.
Kan jeg åbne Add Door når jeg vil?	<ul style="list-style-type: none">• Add Door kan kun åbnes når  indikatoren er vist. Men den åbner ikke i følgende tilfælde:<ul style="list-style-type: none">- Når koge- eller tørreprogram er i gang og den interne temperatur er høj.- Hvis du indstiller Børnelås af sikkerhedsgrunde.- Når tromlevask eller tromletørreprogram er i gang, der ikke involverer mere vasketøj.


Hvis et problem ikke bliver løst, skal du kontakte et lokalt Samsung servicecenter.


Informationskoder

Hvis der sker fejl med vaskemaskinen, kan du se forskellige informationskoder i displayet. Se tabellen nedenfor og prøv forslagene.

Kode	Handling
4C	<p>Vand tilføres ikke.</p> <ul style="list-style-type: none">• Sørg for at vandhanen er åben.• Sørg for at vandslanger ikke er tilstoppede.• Sørg for at vandhanerne ikke er frosne.• Sørg for at vaskemaskinen kører med et tilstrækkeligt vandtryk.• Sørg for at koldt vandshanen og varmt vandshanen er tilsluttet korrekt.• Rens meshfilteret da det kan være tilstoppet. <p> BEMÆRK Når vaskemaskinen viser koden "4C", vil vaskemaskinen blive tømt i 3 minutter. I denne periode kan Strøm-knappen ikke benyttes.</p>
4C2	<ul style="list-style-type: none">• Sørg for at vandforsyningsslangen til det kolde vand er sikkert tilsluttet til koldt vandshanen. Hvis det er forbundet til varmt vandshanen, kan vasketøjet blive deformeret i visse programmer.
5C	<p>Vand afledes ikke.</p> <ul style="list-style-type: none">• Sørg for at drænslangen ikke er frosset eller tilstoppet.• Sørg for at drænslangen er placeret korrekt afhængigt af tilslutningen.• Rens snavsfilteret da det kan være tilstoppet.• Sørg for at drænslangen er lige hele vejen gennem afledningssystemet.• Hvis informationskoden er blivende kontaktes et kundeservicecenter.
DC	<p>Vaskemaskinen kører med døren åben.</p> <ul style="list-style-type: none">• Sørg for at døren er ordentligt lukket.• Sørg for at der ikke sidder vasketøj i klemme i døren.
DC1	<p>Primærdøren lås/lås op virker ikke korrekt.</p> <ul style="list-style-type: none">• Sluk maskinen og genstart programmet.• Hvis informationskoden er blivende kontaktes et kundeservicecenter.

Fejlfinding

Kode	Handling
DC3	Add Door lås/lås op virker ikke korrekt. <ul style="list-style-type: none">Sluk maskinen og genstart programmet.Hvis informationskoden er blivende kontaktes et kundeservicecenter.
OC	Vand er løbet over. <ul style="list-style-type: none">Genstart efter centrifugering.Hvis informationskoden bliver ved med at blive vist på skærmen, kontaktes et lokalt Samsung servicecenter.
LC, LC1	Kontroller drænslangen. <ul style="list-style-type: none">Sørg for at enden på drænslangen er placeret på gulvet.Sørg for at drænslangen ikke er tilstoppet.Hvis informationskoden er blivende kontaktes et kundeservicecenter. <p> BEMÆRK Når vaskemaskinen viser koden "LC,LC1", vil vaskemaskinen blive tømt i 3 minutter. I denne periode kan Strøm-knappen ikke benyttes.</p>
FC	Kontroller blæsermotor. <ul style="list-style-type: none">Sluk og tænd for maskinen efter 2-3 minutter og forsøg igen.
UB	Centrifugering virker ikke. <ul style="list-style-type: none">Sørg for at vasketøjet er spredt jævnt ud.Sørg for at vaskemaskinen står på en flad, stabil overflade.Omfordel vasketøjet. Hvis kun et enkelt stykke tøj skal vaskes, som f.eks. en badekåbe eller et par denimbukser, kan den endelige centrifugering være utilfredsstillende, og meddelelsen "UB" vil blive vist på betjeningspanelet.
3C	Kontroller driftsmotoren. <ul style="list-style-type: none">Forsøg at genstarte programmet.Hvis informationskoden er blivende kontaktes et kundeservicecenter.
3CP	Kontroller pulsatormotorens drift. <ul style="list-style-type: none">Forsøg at genstarte programmet.Hvis informationskoden er blivende kontaktes et kundeservicecenter.

Kode	Handling
UC	<p>Den elektroniske kontrol skal kontrolleres (overspændingsfejl).</p> <ul style="list-style-type: none"> • Kontroller PCB og ledningsnet. • Kontroller at strømmen er korrekt tilsluttet. • Hvis informationskoden er blivende kontaktes et kundeservicecenter.
	<p>Lav spænding detekteret</p> <ul style="list-style-type: none"> • Kontroller om strømledningen er tilsluttet. • Hvis informationskoden er blivende kontaktes et kundeservicecenter.
HC	<p>Højtemperatur varmerkontrol</p> <ul style="list-style-type: none"> • Hvis informationskoden er blivende kontaktes et kundeservicecenter.
1C	<p>Sensoren for vandstand virker ikke ordentligt.</p> <ul style="list-style-type: none"> • Forsøg at slukke og genstarte programmet. • Kontroller sensoren for vandstandens ledningsnet. • Hvis informationskoden er blivende kontaktes et kundeservicecenter. <p> BEMÆRK Når vaskemaskinen viser koden "1C", vil vaskemaskinen blive tømt i 3 minutter. I denne periode kan Strøm-knappen ikke benyttes.</p>
8C	<p>MEMS-sensoren virker ikke korrekt.</p> <ul style="list-style-type: none"> • Sluk maskinen og genstart programmet. • Hvis informationskoden er blivende kontaktes et kundeservicecenter.
AC	<p>Kontroller kommunikation mellem primær og under PBAs.</p> <ul style="list-style-type: none"> • Forsøg at slukke og genstarte programmet. • Hvis informationskoden er blivende kontaktes et kundeservicecenter.
AC6	<p>Kontroller kommunikation mellem primær og inverter-PBAs.</p> <ul style="list-style-type: none"> • Afhængigt af tilstanden, kan maskinen automatisk vende tilbage til normal drift. • Sluk maskinen og genstart programmet. • Hvis informationskoden er blivende kontaktes et kundeservicecenter.

Fejlfinding







Kode	Handling
DDC, ddC	<p>Denne besked vises når du åbner Add Door uden at trykke Start/Pause (Hold nede for at starte). Hvis det sker kan du gøre et af følgende:</p> <ul style="list-style-type: none">• Tryk på Add Door for at lukke forsvarligt. Tryk og hold inde på Start/Pause (Hold for at starte) og prøv igen.• For at ilægge vasketøj, åbn Add Door og læg vasketøj i. Luk Add Door forsvarligt. Tryk og hold nede Start/Pause (Hold nede for at starte) for at fortsætte program.

Hvis en informationskode bliver ved med at blive vist på skærmen, kontaktes et lokalt Samsung servicecenter.

Specifikationer

Oversigt over stoffer og behandlingen af dem

Følgende symboler giver retningslinjer for behandling af forskellige stoffer. Vaskeanvisningerne indeholder fire symboler i denne rækkefølge: vaskning, blegning, tørretumbling, stryging og kemisk rens om nødvendigt. Brugen af symbolerne sikrer ensartethed blandt tøjproducenter fra både ind- og udland. Følg vaskeanvisningerne for at forlænge vasketøjets levetid og reducere mængden af problemer med at vaske.

	Modstandsdygtigt materiale		Må ikke stryges
	Sarte stoffer		Kan renses kemisk med et opløsningsmiddel
	Stoffet kan vaskes ved 95 °C		Skal renses
	Stoffet kan vaskes ved 60 °C		Rens med perchlorid, let brændstof, ren sprit eller kun R113
	Stoffet kan vaskes ved 40 °C		Rens med flyvebenzin, ren sprit eller kun R113
	Stoffet kan vaskes ved 30 °C		Må ikke renses
	Må kun vaskes i hånden		Tør liggende
	Kun rensning		Kan hænges til tørre
	Kan afbleges i koldt vand		Tør tøjet på bøjle
	Må ikke afbleges		Tørretumbles ved normal varme
	Kan stryges ved maks. 200 °C		Tørretumbles ved reduceret varme
	Kan stryges ved maks. 150 °C		Må ikke tørretumbles
	Kan stryges ved maks. 100 °C		

Specifikationer

Beskyttelse af miljøet

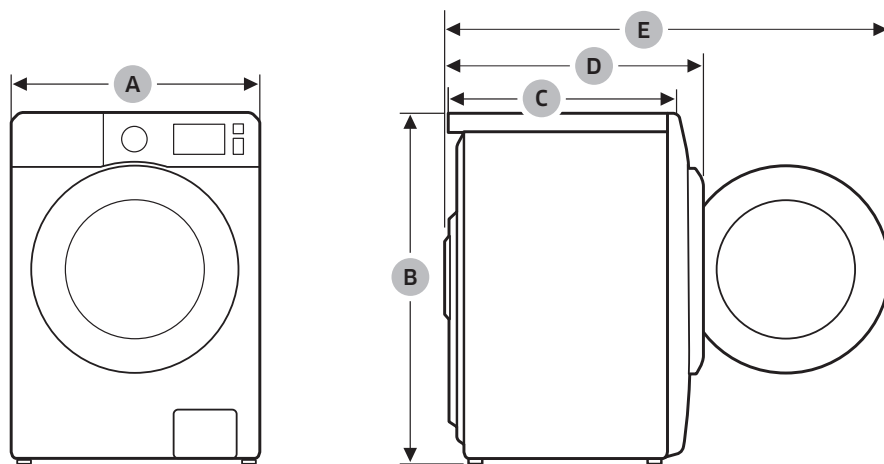
- Denne maskine er fremstillet af materialer, der kan genbruges. Hvis du beslutter dig for at bortskaffe maskinen, skal du overholde de lokale forskrifter om bortskaffelse af affald. Klip netledningen over, så maskinen ikke kan tilsluttes en strømkilde. Fjern lugen, så dyr og små børn ikke kan blive lukket inde i maskinen.
- Overskrid ikke de mængder vaskemiddel, der anbefales af producenten af vaskemidlet.
- Brug kun pletfjerner og blegemidler før vasken, og kun når det er strengt nødvendigt.
- Spar på vand og elektricitet ved at fylde maskinen op (den nøjagtige mængde afhænger af det anvendte program).

Specifikationer

“ * ” Asterisk(s) betyder variant model og kan variere (0-9) eller (A-Z).

Type		Frontbetjent vaskemaskine	
Modelnavn		WD90N64****	WD80N64****
Dimensioner		B 600 mm x D 600 mm x H 850 mm	
Vandtryk		50-800 kPa	
Nettovægt		81,0 kg	81,0 kg
Vaske- og centrifugeringskapacitet		9,0 kg	8,0 kg
Tør kapacitet		5,0 kg	5,0 kg
Strømforbrug	Vask og opvarmning	220 V	2000 W
		240 V	2400 W
	Tørrer	220 V	1600 W
		240 V	1900 W
Omdrejningstal for centrifugering		1400 omdr./min.	

Specifikationer



A	600 mm
B	850 mm
C	600 mm
D	680 mm
E	1115 mm

BEMÆRK

Designet og specifikationerne er ændret uden varsel med det formål at forbedre kvaliteten.

Kombineret vaske- og tørremaskine til husholdninger

Overensstemmelse EU-regulativ nr. 96/60/EC

“ * ” Asterisk(s) betyder variant model og kan variere (0-9) eller (A-Z).

Samsung		
Modelnavn	WD90N64****	
Energieffektivitet		
A (højeste effektivitet) til G (laveste effektivitet)	A	
Energiforbrug		
Vasker, centrifugerer og tørrer	kWh	6,12
Kun vask og centrifuge	kWh	1,17
Vaskeevne		
A (højeste effektivitet) til G (laveste effektivitet)	A	
Centrifugering, klasse		
A (højeste effektivitet) til G (laveste effektivitet)	A	
Restfugt	%	44
Maks. centrifugeringshastighed	omdr./min.	1400
Kapacitet		
Vasker	kg	9,0
Tørrer	kg	5,0
Vandforbrug		
Vasker, centrifugerer og tørrer	ℓ	126
Kun vask og centrifuge	ℓ	54
Programtid for samlet operationscyklus (60 °C bomuldsvask og 'tør bomuld' tørring ved anbefalet vaskekapacitet)		
Vasker, centrifugerer og tørrer	min.	689
Kun vask og centrifuge	min.	254
Programmer, som oplysninger på etiketten og arket er relateret til		
	Vasker	Bomuld 60 °C + Intensiv
	Tørre	BOMULD TØR
Anslået årligt forbrug for en husstand på fire personer, som altid tørrer i denne vaske-/tørremaskine (200 vaske med tørring)		
Energiforbrug	kWh/år	1224
Vandforbrug	ℓ	25200
Anslået årligt forbrug for en husstand på fire personer, som aldrig tørrer i denne vaske-/tørremaskine (200 vaske med tørring)		
Energiforbrug	kWh/år	234
Vandforbrug	ℓ	10800

Specifikationer

Støjniveau ved standard 60°C bomuldsvask og 'bomuldstørring' tørreprogram		
Vasker	dB (A) re 1 pW	49
Centrifugerer	dB (A) re 1 pW	73
Tørrer	dB (A) re 1 pW	62

Energiforbrugsdata ved tørring er blevet målt under forhold specificeret i Standard EN50229.

- Første tørring bør udføres med 5 kg tøj (bestående af: 2 lagner og 6 pudebetræk og 18 håndklæder), ved at vælge BOMULD TØR + centrifugering;
 - Anden tørring bør udføres med 4 kg tøj (bestående af: 2 lagner og 8 pudebetræk og 5 håndklæder), ved at vælge BOMULD TØR + centrifugering;
- (1 eller 2 håndklæder kan tilføjes eller fjernes for at ramme vægten.)

Kombineret vaske- og tørremaskine til husholdninger

Overensstemmelse EU-regulativ nr. 96/60/EC

“ * ” Asterisk(s) betyder variant model og kan variere (0-9) eller (A-Z).

Samsung		
Modelnavn	WD80N64****	
Energieffektivitet		
A (højeste effektivitet) til G (laveste effektivitet)	A	
Energiforbrug		
Vasker, centrifugerer og tørrer	kWh	5,44
Kun vask og centrifuge	kWh	1,04
Vaskeevne		
A (højeste effektivitet) til G (laveste effektivitet)	A	
Centrifugering, klasse		
A (højeste effektivitet) til G (laveste effektivitet)	A	
Restfugt	%	44
Maks. centrifugeringshastighed	omdr./min.	1400
Kapacitet		
Vasker	kg	8,0
Tørrer	kg	5,0
Vandforbrug		
Vasker, centrifugerer og tørrer	ℓ	112
Kun vask og centrifuge	ℓ	48
Programtid for samlet operationscyklus (60 °C bomuldsvask og 'tør bomuld' tørring ved anbefalet vaskekapacitet)		
Vasker, centrifugerer og tørrer	min.	664
Kun vask og centrifuge	min.	254
Programmer, som oplysninger på etiketten og arket er relateret til	Vasker	Bomuld 60 °C + Intensiv
	Tørre	BOMULD TØR
Anslået årligt forbrug for en husstand på fire personer, som altid tørrer i denne vaske-/tørremaskine (200 vaske med tørring)		
Energiforbrug	kWh/år	1088
Vandforbrug	ℓ	22400
Anslået årligt forbrug for en husstand på fire personer, som aldrig tørrer i denne vaske-/tørremaskine (200 vaske med tørring)		

Specifikationer

Energiforbrug	kWh/år	208
Vandforbrug	ℓ	9600
Støjniveau ved standard 60°C bomuldsvask og 'bomuldstørring' tørreprogram		
Vasker	dB (A) re 1 pW	49
Centrifugerer	dB (A) re 1 pW	73
Tørrer	dB (A) re 1 pW	62

Energiforbrugsdata ved tørring er blevet målt under forhold specificeret i Standard EN50229.

- Første tørring bør udføres med 5 kg tøj (bestående af: 2 lagner og 6 pudebetræk og 18 håndklæder), ved at vælge BOMULD TØR + centrifugering;
- Anden tørring bør udføres med 3 kg tøj (bestående af: 1 lagner og 6 pudebetræk og 7 håndklæder), ved at vælge BOMULD TØR + centrifugering;
(1 eller 2 håndklæder kan tilføjes eller fjernes for at ramme vægten.)



SPØRGSMÅL ELLER KOMMENTARER?

LAND	RING	ELLER BESØG OS ONLINE PÅ
NORWAY	815 56480	www.samsung.com/no/support
DENMARK	70 70 19 70	www.samsung.com/dk/support
FINLAND	030-6227 515	www.samsung.com/fi/support
SWEDEN	0771 726 786	www.samsung.com/se/support



DC68-03924J-00



Vaskemaskin

Bruksanvisning

WD90N6**** / WD80N6****



SAMSUNG



Innhold

Sikkerhetsinformasjon	4
Det du trenger å vite om sikkerhetsinstruksjoner	4
Viktige sikkerhetssymboler	4
Viktige forholdsregler	5
Instruksjoner for WEEE	15
Installasjon	16
Hva som følger med	16
Monteringskrav	18
Trinn-for-trinn-montering	20
Før du begynner	28
Forhåndsinnstillinger	28
Retningslinjer for vask av tøy	28
Veiledning for vaskemiddelskuff	31
Drift	34
Kontrollpanel	34
Enkle trinn for å starte	36
Oversikt over programmene	38
Spesielle funksjoner	42
Innstillinger	44
SmartThings	45



Vedlikehold	50
Eco drum clean 	50
Smart Check 	51
Bruk av tørkeprogram	52
Nøddrenering	53
Rengjøring	54
Vanninntaksfilter	55
Oppretting etter frost	58
Vedlikehold ved en lengre periode uten bruk	58
Feilsøking	59
Kontrollpunkt	59
Informasjonskoder	63
Spesifikasjoner	67
Tekstilpleietabell	67
Miljøvern	68
Spesifikasjonsark	69



Sikkerhetsinformasjon

Gratulerer med din nye vaskemaskin fra Samsung. Denne håndboken inneholder viktig informasjon om installasjon, bruk og vedlikehold av maskinen. Ta deg tid til å lese denne håndboken for å få fullt utbytte av vaskemaskinens mange fordeler og funksjoner.

Det du trenger å vite om sikkerhetsinstruksjoner

Vennligst les denne håndboken grundig, slik at du vet hvordan du skal betjene de omfattende funksjonene på maskinen på en trygg og effektiv måte. Du bør oppbevare håndboken på et trygt sted, i nærheten av maskinen, så det er lett å finne den. Denne maskinen må bare brukes til sitt tiltenkte formål, som beskrevet i denne bruksanvisningen. Advarsler og viktige sikkerhetsinstruksjoner i denne håndboken dekker ikke alle omstendigheter og situasjoner som kan oppstå. Det er ditt ansvar å bruke sunn fornuft og være varsom og nøyaktig når du installerer, vedlikeholder og bruker vaskemaskinen. Siden disse følgende bruksinstruksjonene dekker forskjellige modeller, kan kjennetegnene til din vaskemaskin variere noe fra det som beskrives i denne håndboken, så det er ikke sikkert at alle varselstegnene er aktuelle. Hvis du har spørsmål eller bekymringer, kontakter du ditt nærmeste servicesenter eller finner hjelp og informasjon online på www.samsung.com.

Viktige sikkerhetssymboler

Betydningen av ikonene og tegnene i denne brukerhåndboken:

ADVARSEL

Farer eller utrygge vaner som kan føre til **alvorlig personskade, død og/eller skade på eiendeler**.

FORSIKTIG

Farer eller utrygge vaner som kan føre til **personskade og/eller skade på eiendeler**.

MERK

Angir at det eksisterer en risiko for personskade eller materiellskade.

Les instruksjonene



Disse varselskiltene er til for å hindre at du eller andre blir skadet.

Du bør være nøye med å følge dem.

Når du har lest denne håndboken, bør du oppbevare den på et trygt sted, slik at det blir lett å finne den igjen.

Les alle instruksjonene før du bruker maskinen.

Som for alt utstyr som bruker elektrisitet og har bevegelige deler, finnes det potensielle farer. For å kunne bruke denne maskinen på en trygg måte bør du gjøre deg kjent med hvordan den betjenes og være forsiktig når du bruker den.

Viktige forholdsregler

ADVARSEL

For å redusere risikoen for brann, elektrisk støt eller personskade når du bruker maskinen bør du blant annet følge disse grunnleggende forholdsreglene:

- 1.** Dette apparatet skal ikke brukes av personer (barn innbefattet) med reduserte fysiske, sensoriske eller mentale evner, eller med manglende erfaring og kunnskap, hvis de ikke veiledes eller instrueres om bruken av apparatet av den som er ansvarlig for deres sikkerhet.
- 2. For bruk i Europa:** Dette apparatet kan brukes av barn over 8 år og av personer med reduserte fysiske, sensoriske eller mentale evner, eller som mangler erfaring og kunnskap, hvis de veiledes eller instrueres i hvordan de skal bruke apparatet på en trygg måte og forstår hvilke farer som er involvert. Barn må ikke leke med apparatet. Rengjøring og vedlikehold av apparatet må ikke utføres av barn uten tilsyn.
- 3.** Barn må ha tilsyn for å sikre at de ikke leker med maskinen.
- 4.** Hvis strømledningen er skadd, må den skiftes av produsenten, produsentens servicerepresentant eller en tilsvarende autorisert person for å unngå ulykker.



Sikkerhetsinformasjon

5. De nye slangesettene som følger med apparatet skal brukes og gamle slangesett må ikke brukes på nytt.
6. For apparater med ventilasjon i sokkelen er det viktig at ikke et teppe hindrer åpningene.
7. **For bruk i Europa:** Barn under 3 år bør holdes unna med mindre de er konstant overvåket.
8. **FORSIKTIG:** For å unngå farlige situasjoner som er forårsaket av utilsiktet tilbakestilling av den termiske bryteren, må ikke strømforsyningen til dette apparatet være koblet til en ekstern bryterenhet, som f.eks. en tidsbryter, eller kobles til en krets som jevnlig slås av og på.
9. Tørketrommelen må ikke brukes hvis industrielle kjemikalier har blitt brukt til rengjøring.
10. Lofilteret må rengjøres regelmessig, der det er aktuelt.
11. Lo må ikke få mulighet til å akkumulere rundt tørketrommelen. (Gjelder ikke for apparater som har ventiler til utsiden av bygningen)
12. Det er viktig med tilstrekkelig ventilasjon for å unngå tilbakestrømming av gasser inn i rommet fra apparater som brenner andre drivstoff, inkludert åpne flammer.
13. Ikke tørk uvaskede ting i tørketrommelen.
14. Ting som er blitt tilsølt med stoffer som matolje, aceton, alkohol, bensin, parafin, flekkfjernere, terpentin, voks og voksfjernere, må vaskes i varmt vann med en ekstra mengde vaskemiddel før de tørkes i tørketrommelen.
15. Ting som for eksempel skumgummi (lateksskum), dusjletter, vanntette tekstiler, gummiforede artikler og klær eller puter med innsydd skumgummi, må ikke tørkes i tørketrommel.
16. Tøymyknere eller lignende produkter må brukes som angitt på instruksjonene for produktet.



-
- 17.** Den siste delen av en tørketrommelsyklus er uten varme (avkjølingssyklus) for å sørge for at tingene har en temperatur som sikrer at de ikke vil ta skade.
 - 18.** Fjern alle gjenstander fra lommene, som lightere og fyrstikker.
 - 19. ADVARSEL:** Stopp aldri en tørketrommel før tørkesyklusen er ferdig, med mindre alle tingene fjernes raskt og spres utover slik at varmen avledes.
 - 20.** Utblåsningsluften må ikke ledes inn i en avtrekkskanal for avgasser fra apparater som brenner gass eller andre drivstoffer.
 - 21.** Apparatet må ikke installeres bak en låsbar dør, skyvedør eller en dør med hengsel på motsatt side av tørketrommelen på en slik måte at full åpning av tørketrommeldøren forhindres.
 - 22. ADVARSEL:** Dette apparatet må ikke kobles til en ekstern bryterenhet, som f.eks. en tidsbryter, eller kobles til en strømkrets som jevnlig slås av og på.



Sikkerhetsinformasjon

Kritiske advarsler vedrørende installasjon

ADVARSEL

Installasjonen av dette apparatet må utføres av en kvalifisert tekniker eller serviceselskap.

- Hvis ikke, kan det oppstå elektrisk støt, brann, eksplosjon, problemer med produktet eller personskader.

Maskinen er tung, så vær forsiktig når du løfter den.

Sett strømledningen i et vegguttak på 220–240 V / 50 Hz eller høyere, og bruk vegguttaket bare til dette apparatet. Bruk aldri en skjøteledning.

- Hvis du deler et vegguttak med andre apparater gjennom et grenuttak eller en skjøteledning, kan det føre til elektrisk støt eller brann.
- Kontroller at strømspenningen, frekvensen og strømstyrken samsvarer med produktspesifikasjonene. Hvis du ikke gjør det, kan det føre til elektrisk støt eller brann. Sett strømstøpselet skikkelig inn i vegguttaket.

Fjern jevnlig alle fremmedelementer som støv eller vann fra støpselets terminaler og kontaktpunkter med en tørr klut.

- Ta ut støpselet og rengjør det med en tørr klut.
- Hvis du ikke gjør det, kan det føre til elektrisk støt eller brann.
- Sett støpselet i vegguttaket slik at ledningen løper mot gulvet.
Hvis du setter støpselet i vegguttaket i motsatt retning, kan de elektriske ledningene inni kabelen bli skadet og dette kan føre til elektrisk støt eller brann.

Hold alt emballasjemateriell utenfor barns rekkevidde, ettersom det kan være farlig.

- Hvis et barn plasserer en pose over hodet, kan det bli kvalt.
Hvis maskinen, strømstøpselet eller strømledningen blir skadet, kontakter du ditt nærmeste servicesenter.

Denne maskinen må være skikkelig jordet.

Maskinen må ikke jordes til et gassrør, et vannrør i plast eller en telefonledning.

- Det kan føre til elektrisk støt, brann, eksplosjon eller problemer med produktet.
- Sett aldri strømledningen inn i et vegguttak som ikke er skikkelig jordet, og kontroller at det er i samsvar med lokale og nasjonale forskrifter.

Maskinen må ikke installeres i nærheten av en ovn eller noe brennbart materiale.

Ikke installer denne maskinen i fuktige, oljete eller støvete omgivelser eller slik at den utsettes for direkte sollys eller vann (regndråper).

Ikke installer maskinen et sted der den kan utsettes for lav temperatur.

- Frost kan føre til at slangene sprekker.



Ikke installer maskinen på et sted der det kan lekke gass.

- Det kan føre til elektrisk støt eller brann.

Ikke bruk en transformator.

- Det kan føre til elektrisk støt eller brann.

Ikke bruk et skadet strømstøpsel, en skadet strømledning eller et løst vegguttak.

- Det kan føre til elektrisk støt eller brann.

Ikke trekk hardt i eller bøy strømledningen for mye.

Ikke vri eller bind sammen strømledningen.

Du må ikke hekte opp strømledningen over en metallgjenstand, plassere en tung gjenstand oppå strømledningen, plassere strømledningen inn mellom ulike gjenstander eller dytte strømledningen inn i området bak maskinen.

- Det kan føre til elektrisk støt eller brann.

Ikke trekk i strømledningen når du skal ta ut støpselet.

- Ta ut støpselet ved å holde i selve støpselet.
- Hvis du ikke gjør det, kan det føre til elektrisk støt eller brann.

Denne maskinen bør plasseres i nærheten av strømuttaket, vannkranene og avløpsrørene.



Sikkerhetsinformasjon

Forholdsregler ved installasjon

FORSIKTIG

Denne maskinen bør plasseres på en slik måte at det er lett å få tilgang til strømstøpelet.

- Hvis ikke, kan det føre til elektrisk støt eller brann på grunn av strøml lekkasje.

Installer maskinen på et rett og hardt gulv som tåler vekten av den.

- Hvis ikke, kan det føre til unormale vibrasjoner, bevegelser, støy eller problemer med produktet.

Kritiske advarsler vedrørende bruk

ADVARSEL

Hvis apparatet oversvømmes, må du øyeblikkelig slå av vannforsyningen og strømforsyningen og kontakte ditt nærmeste servicesenter.

- Ikke ta på støpelet med våte hender.
- Hvis du gjør det, kan du få støt.

Hvis maskinen lager en merkelig lyd, en svidd lukt eller røyk, må du øyeblikkelig ta ut støpelet og kontakte ditt nærmeste servicesenter.

- Hvis du ikke gjør det, kan det føre til elektrisk støt eller brann.

I tilfelle gasslekkasje (f.eks. propangass, LP-gass osv.) må du øyeblikkelig lufte ut rommet uten å røre støpelet. Ikke ta på maskinen eller strømledningen.

- Ikke bruk en ventilasjonsvifte.
- En gnist kan føre til en eksplosjon eller brann.

Ikke la barn leke i eller oppå vaskemaskinen. Dessuten må du fjerne håndtaket på døren når du skal kvitte deg med maskinen.

- Hvis et barn eller et dyr blir fanget inni produktet, kan det bli kvalt og dø.

Sørg for å fjerne emballasjen (svamp, styropor) som er festet til bunnen av vaskemaskinen, før du bruker den.

Ikke vask artikler som er tilsølt med bensin, parafin, benzen, malingstynner, alkohol eller andre brannfarlige eller eksplosive stoffer.

- Det kan føre til elektrisk støt, brann eller eksplosjoner.



Ikke åpne døren til vaskemaskinen med makt mens den er i gang (vask med høy temperatur/tørking/sentrifugering).

- Vann som strømmer ut av vaskemaskinen, kan forårsake brannskader på huden eller at gulvet blir glatt. Det kan føre til skader.
- Hvis du åpner døren med makt, kan det føre til skader på produktet eller personer.

Du må ikke strekke hånden inn under vaskemaskinen mens den er i gang.

- Det kan føre til skader.

Ikke ta på støpselet med våte hender.

- Dette kan gi elektrisk støt.

Ikke skru av maskinen ved å ta ut støpselet mens maskinen er i gang.

- Hvis du setter støpselet i vegguttaket igjen, kan det føre til gnister eller elektrisk støt eller brann.

Ikke la barn eller hjelpetrengende eller uselvstendige personer bruke denne vaskemaskinen uten forsvarlig tilsyn. Ikke la barn klatre inn i eller oppå maskinen.

- Det kan føre til elektrisk støt, brannskade og andre skader.

Ikke stikk hånden eller en metallgjenstand inn under vaskemaskinen mens den er i gang.

- Det kan føre til skader.

Ikke koble ut maskinen ved å trekke i strømledningen. Ta alltid godt tak i strømstøpselet og trekk den rett ut av uttaket.

- Skader på strømledningen kan føre til kortslutning, brann og/eller elektrisk støt.

Ikke forsøk å reparere, demontere eller gjøre endringer på maskinen selv.

- Ikke bruk en annen sikring (av kobber, ståltråd osv.) enn standardsikringen.
- Hvis maskinen må repareres eller installeres på nytt, bør du kontakte ditt nærmeste servicesenter.
- Hvis ikke, kan det oppstå elektriske støt, brann, problemer med produktet eller personskader.

Hvis vannslangen løsner fra vannkranen og oversvømmer maskinen, må du ta ut strømstøpselet.

- Hvis du ikke gjør det, kan det føre til elektrisk støt eller brann.

Ta ut strømstøpselet når apparatet ikke brukes over lengre perioder, eller når det er tordenvær.

- Hvis du ikke gjør det, kan det føre til elektrisk støt eller brann.

Hvis det kommer fremmedlegemer inn i maskinen, må du ta ut strømstøpselet og kontakte Samsungs kundeservice.

- Det kan føre til elektrisk støt eller brann.

Ikke la barn (eller dyr) leke på eller inni vaskemaskinen. Døren til vaskemaskinen er vanskelig å åpne fra innsiden, og barn og dyr kan bli alvorlig skadet hvis de blir fanget inni den.



Sikkerhetsinformasjon

Forholdsregler ved bruk

FORSIKTIG

Hvis vaskemaskinen blir tilsølt av fremmedelemer som vaskemidler, skitt, matavfall osv., må du ta ut strømstøpselet og rengjøre vaskemaskinen med en myk og fuktig klut.

- Hvis ikke du gjør det, kan det føre til misfarging, deformering, skader eller rust.

Frontglasset kan bli ødelagt ved harde støt. Vær forsiktig når du bruker vaskemaskinen.

- Hvis glasset knuses, kan det føre til skader.

Etter vannavbrudd eller når du skal koble til vannslangen på nytt, må du åpne vannkranen sakte.

Åpne alltid vannkranen sakte etter en lengre periode uten bruk.

- Lufttrykket i vannslangen eller vannrøret kan føre til skader på en del av produktet eller til vannlekkasje.

Hvis det oppstår en feil med avløpet under en operasjon, må du kontrollere om det er et problem med dreneringen.

- Hvis vaskemaskinen brukes når den er oversvømt på grunn av et dreneringsproblem, kan det føre til elektrisk støt eller brann.

Legg skittentøyet helt inn i vaskemaskinen, slik at det ikke setter seg fast i døren.

- Hvis tøyet blir sittende fast i døren, kan det føre til skader på tøyet eller vaskemaskinen, eller til vannlekkasje.

Slå av vannforsyningen når vaskemaskinen ikke er i bruk.

Kontroller at skruene på vannslangekoblingen er skikkelig strammet.

- Hvis ikke, kan det føre til skader på eiendommen eller personer.

Pass på at gummiforseglingen og dørklassene på forsiden ikke blir tilsmusset av fremmedelemer (f.eks. avfall, tråder, hår osv.).

- Hvis det setter seg fast fremmedelemer i døren, eller hvis døren ikke er fullstendig lukket, kan det føre til vannlekkasje.

Åpne vannkranen og kontroller om vannslangekoblingen er skikkelig strammet og at det ikke er noen vannlekkasje før du bruker produktet.

- Hvis skruene på vannslangekoblingen er løse, kan det føre til vannlekkasje.

Produktet du har kjøpt, er beregnet på bruk i private hjem.

Bruk til kommersielle formål regnes som misbruk av produktet. I slike tilfeller vil ikke produktet dekkes av Samsungs standardgaranti, og Samsung påtar seg intet ansvar for feil eller skader som oppstår på grunn av slikt misbruk.



Ikke stå oppå maskinen eller plasser gjenstander (f.eks. klær, stearinlys, tente sigaretter, asjetter, kjemikalier, metallgjenstander osv.) oppå den.

- Det kan føre til elektrisk støt, brann, problemer med produktet eller skader.

Ikke spray flyktige materialer som insektsmidler på maskinens overflate.

- I tillegg til at dette kan være skadelig for mennesker, kan det også føre til elektrisk støt, brann eller problemer med produktet.

Ikke plasser gjenstander som genererer elektromagnetiske felter, i nærheten av vaskemaskinen.

- Det kan føre til skader på grunn av feil.

Vann som dreneres gjennom en vask med høy temperatur eller en tørkesyklus, er varmt. Ikke kom borti vannet.

- Det kan føre til brannskader eller andre skader.

Ikke vask, sentrifuger eller tørk av vannfaste seter, matter eller klær(*) med mindre maskinen har en spesiell syklus for vasking av slike artikler.

(*): Sengetøy i ull, regntøy, fiskevester, skibukser, soveposer, bleieomslag, joggedresser og omslag til sykler, motorsykler og biler osv.

- Ikke vask tykke eller harde matter i vaskemaskinen selv om det står på vaskelappen at de tåler maskinvask. Det kan føre til personskafer eller skader på vaskemaskinen, vegger, gulv eller tøy på grunn av unormale vibrasjoner.
- Ikke vask gulvtepper eller dørmatter med gummi på kantene eller undersiden. Gummien kan løsne og feste seg på innsiden av trommelen, noe som kan føre til maskinsvikt og dreneringsfeil.

Ikke bruk vaskemaskinen når vaskemiddelskuffen er fjernet.

- Det kan føre til elektrisk støt eller skader som følge av vannlekkasje.

Ikke berør innsiden av trommelen under eller rett etter tørking, ettersom den er varm.

- Det kan føre til brannskader.

Ikke før hånden inn i vaskemiddelskuffen.

- Dette kan føre til skader fordi hånden din kan bli sittende fast i vaskemiddelskuffen.
- Skinnen for flytende vaskemiddel (kun for egnede modeller) brukes ikke for vaskepulver. Ta ut skinnen hvis du skal bruke vaskepulver.

Ikke plasser gjenstander som ikke er tøy (for eksempel sko, matavfall, dyr), i vaskemaskinen.

- Det kan føre til skader på vaskemaskinen, eller skader og død (i tilfellet kjæledyr) på grunn av de unormale vibrasjonene.

Ikke trykk på knappen med skarpe gjenstander som nåler, kniver, fingernebler osv.

- Det kan føre til elektrisk støt eller annen skade.



Sikkerhetsinformasjon

Ikke vask plagg som er tilsmusset med oljer eller kremer fra steder som hudpleiebutikker eller massasjeklinikker.

- Det kan føre til at gummiforseglingen blir deformert og medføre vannlekkasje.

Ikke la metallgjenstander som sikkerhetsnåler eller hårnåler, eller blekemidler ligge i trommelen over lengre tid.

- Det kan føre til at trommelen ruster.
- Hvis det begynner å dannes rust på trommeloverflaten, kan du påføre et (nøytralt) vaskemiddel på overflaten og bruke en svamp for å rengjøre den. Bruk aldri en metallbørste.

Ikke bruk tørrensemiddel direkte på tøyet og ikke vask, skyll eller sentrifuger tøy som inneholder tørrensemiddel.

- Det kan føre til spontan forbrenning eller antenning på grunn av varme olje som oksiderer.

Ikke bruk vann fra enheter for vannkjøling/-varming.

- Det kan føre til problemer med vaskemaskinen.

Ikke bruk nøytral håndvasksåpe i vaskemaskinen.

- Hvis den hardner og samler seg inni vaskemaskinen, kan den føre til problemer med produktet, misfarging, rust eller vond lukt.

Legg sokker og brystholdere i en vaskepose og vask dem sammen med andre plagg.

Ikke legg store plagg som sengetøy i vaskeposen.

- Det kan nemlig føre til skader eller unormale vibrasjoner.

Ikke bruk hardnet vaskemiddel.

- Hvis det samler seg opp inni vaskemaskinen, kan det føre til vannlekkasje.

Sørg for at alle lommer i plaggene som skal vaskes, er tomme.

- Harde og skarpe gjenstander som mynter, sikkerhetsnåler, spikre, skruer og steiner kan forårsake omfattende skader på maskinen.

Ikke vask klær med store spennere, knapper eller andre tunge metallgjenstander.

Sorter tøyet etter farge og fargebestandighet og velg anbefalt syklus, vanntemperatur og tilleggsfunksjoner.

- Dette kan føre til misfarging eller skader på tøyet.

Pass på at ingen barn eller andre personer får fingrene i klem når du skal lukke døren.

- Det kan nemlig føre til personskader.



Kritiske advarsler vedrørende vask

ADVARSEL

Ikke rengjør maskinen ved å sprute vann direkte på den.

Ikke bruk et rensmiddel som inneholder sterk syre.

Ikke bruk benzen, tynner eller alkohol til å rengjøre maskinen.

- Det kan føre til misfarging, deformering, skader, elektrisk støt eller brann.

Før rengjøring eller utføring av vedlikehold må du koble maskinen fra veggkontakten.

- Hvis du ikke gjør det, kan det føre til elektrisk støt eller brann.

Instruksjoner for WEEE



Korrekt avhending av dette produktet (Avfall fra elektrisk og elektronisk utstyr)

(Gjelder i land med avfallssortering)

Denne merkingen som vises på produktet, dets tilbehør eller dokumentasjon, indikerer at produktet eller det elektroniske tilbehøret (for eksempel lader, headset, USB-kabel) ikke skal kastes sammen med annet husholdningsavfall ved slutten av levetiden. For å hindre potensiell skade på miljøet eller helseskader grunnet ukontrollert avfallsavhending ber vi om at dette avfallet holdes adskilt fra andre typer avfall og resirkuleres på ansvarlig måte for å fremme bærekraftig gjenbruk av materielle ressurser. Private forbrukere bør kontakte enten forhandleren de kjøpte produktet av, eller lokale myndigheter for detaljer om hvor og hvordan disse artiklene kan resirkuleres på en miljøvennlig måte. Forretningsbrukere bør kontakte sin leverandør og undersøke vilkårene i kjøpskontrakten. Dette produktet og det elektroniske tilbehøret skal ikke blandes med annet kommersielt avfall som skal kastes.

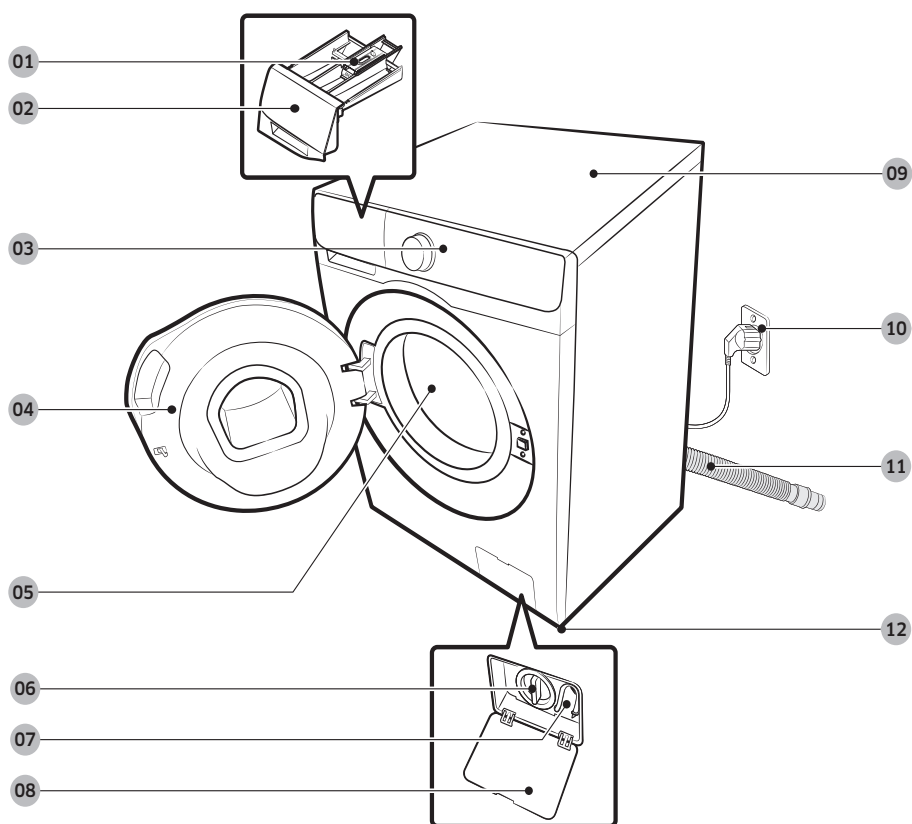
Ønsker du informasjon om Samsungs miljøengasjement og produktspesifikke lovpålagte forpliktelser, f.eks. REACH, kan du gå til: samsung.com/uk/aboutsamsung/samsungelectronics/corporatecitizenship/data_corner.html

Installasjon

Følg instruksene nøye for å sikre riktig montering av vaskemaskinen og for å forhindre uhell når du vasker klær.

Hva som følger med

Kontroller at alle delene følger med i produktemballasjen. Kontakt et lokalt Samsung-kundesenter eller forhandleren hvis du har et problem med vaskemaskinen eller delene.



01 Utløserpak

04 Dør

07 Nødvledningslange

10 Støpsel

02 Vaskemiddelskuff

05 Trommel

08 Filterdeksel

11 Avløpsslange

03 Kontrollpanel

06 Pumpefilter

09 Arbeidstopp

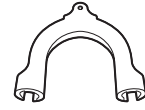
12 Justerbare føtter



Skrunøkkel



Boltehetter



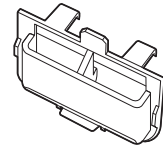
Slangeholder



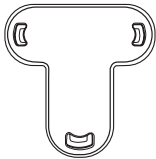
Forsyningslange for kaldt vann



Forsyningslange for varmt vann



Beholder for flytende vaskemiddel



Hettefeste

MERK

- Boltehetter : Antall medfølgende boltehetter (3 til 6) er avhengig av modellen.
- Forsyningslange for varmt vann: Kun til enkelte modeller.
- Beholder for flytende vaskemiddel: Kun til enkelte modeller.



Installasjon

Monteringskrav

Strømforsyning og jording

- AC 220-240 V / 50 Hz-sikring eller effektbryter er påkrevd
- Bruk en uavhengig grenledning tilpasset vaskemaskinen

For å sørge for at vaskemaskinene jordes riktig, følger det med en strømledning som har jordet støpselet med tre pinner, til bruk i en riktig montert og jordet stikkontakt. Sjekk med en kvalifisert elektriker eller serviceperson hvis du ikke er sikker angående jordingen.

Ikke modifier støpselet som følger med. Hvis det ikke passer til stikkontakten, må du kontakte en kvalifisert elektriker til å installere en egnet stikkontakt.

ADVARSEL

- IKKE bruk en skjøteledning.
- Bruk kun strømledningen som følger med vaskemaskinen.
- IKKE koble jordledningen til plastrør, gassledninger eller varme vannrør.
- Jordledere som ikke er koblet til riktig kan forårsake elektrisk støt.

Vannforsyning

Riktig vanntrykk for denne vaskemaskinen er mellom 50 kPa og 800 kPa. Vanntrykk på mindre enn 50 kPa kan gjøre at vannventilen ikke lukkes helt igjen. Eller det kan ta lengre tid å fylle trommelen, noe som fører til at maskinen slås av. Vannkranene må ikke være mer enn 120 cm fra baksiden av vaskemaskinen, slik at de medfølgende inntaksslangene når frem til vaskemaskinen.

For å redusere risikoen for lekkasje:

- Sørg for at vannkranene lett tilgjengelige.
- Skru av kraner når vaskemaskinen ikke brukes.
- Kontroller jevnlig at det ikke er noen lekkasjer i inntaksslangearmaturet.

FORSIKTIG

Før vaskemaskinen tas i bruk for første gang skal alle koblinger for vannventiler og kraner undersøkes for lekkasjer.

Tømming

Samsung anbefaler et stående overløpsrør med en høyde på 60-90 cm. Avløpsslangen må være koblet til overløpsrøret gjennom slangeklipsen, og overløpsrøret må dekke avløpsslangen fullstendig.



Gulvet

For best mulig ytelse bør vaskemaskinen monteres på et solid gulv. Tregulv kan måtte forsterkes for å minimere vibrering og/eller ubalanse. Tepper og myke flisegulv er ikke så motstandsdyktige mot vibrering og kan dermed bidra til at vaskemaskinen flytter seg under sentrifugeringssyklusen.

FORSIKTIG

IKKE monter vaskemaskinen på en plattform eller underlag med svak struktur.

Vanntemperatur

Ikke monter vaskemaskinen på områder hvor vannet kan fryse til, ettersom vaskemaskinen alltid vil ha vannrester i vannventilene, pumpene, og/eller slangene. Vann som fryser utvider seg, og hvis det blir værende i tilkoblingsdelene, kan dette medføre skade på beltene, pumpen og andre komponenter i vaskemaskinen.

Installasjon i alkove eller skap

Minimumsklarering for stabil drift:

Sider	25 mm
Overside	25 mm
Bakside	50 mm
Forside	550 mm

Hvis både vaskemaskinen og tørketrommelen er montert på samme sted skal forsiden på alkoven eller skapet ha minst 550 mm luftklarering. Vaskemaskinen alene krever ikke en spesifikk luftåpning.

Installasjon

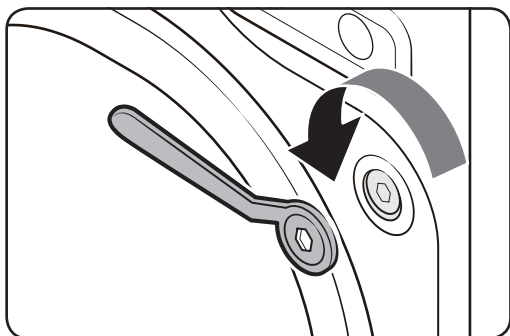
Trinn-for-trinn-montering

TRINN 1 - Velg plassering

Krav til plassering:

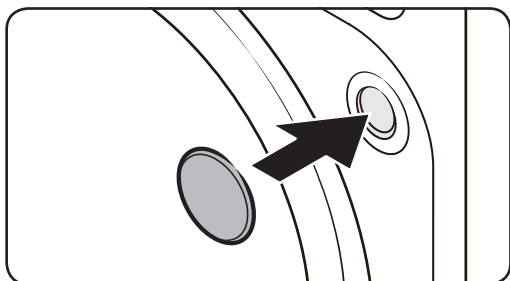
- En solid, jevn overflate uten tepper eller underlag som kan hindre ventilasjon
- Ikke i direkte sollys
- Rom som er egnet for ventilasjon og kabler
- Romtemperaturen er alltid høyere enn frysepunktet (0 °C)
- Ikke i nærheten av en varmekilde

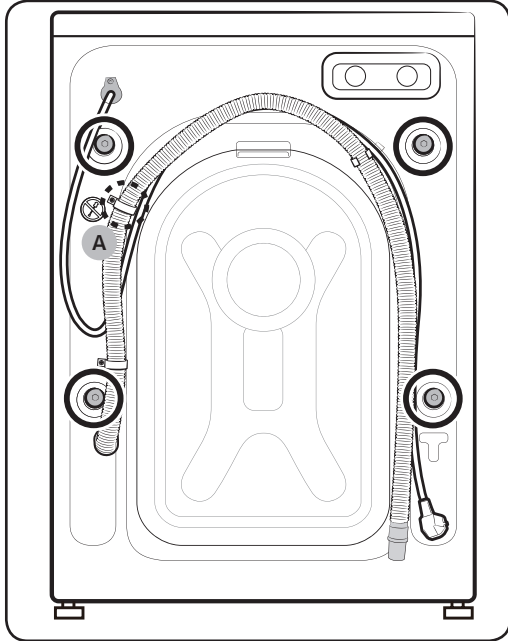
TRINN 2 - Ta av fraktboltene



Ta av produktemballasjen og ta av alle transportsikringene.

1. Løsne alle transportsikringene på baksiden av maskinen med fastnøkkelen som fulgte med.
2. Dekk hullene med plastdekslene som fulgte med.
Ta vare på transportsikringene for fremtidig bruk.





3. Skru igjen alle plastdekslene på baksiden av vaskemaskinen.

⚠ FORSIKTIG

Ikke fjern skrue (A) som fester slangeklemmen.

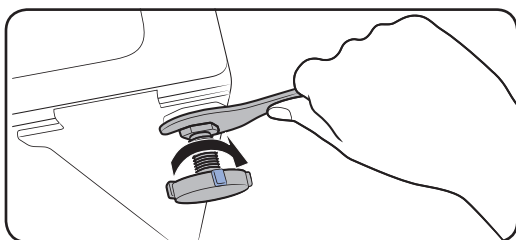
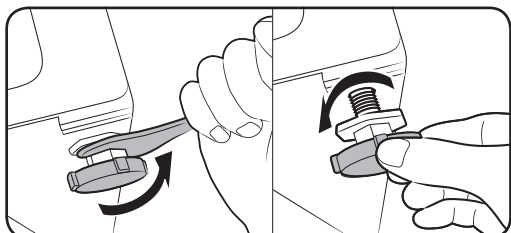
⚠ ADVARSEL

Emballasjematerialer kan være farlige for barn. Kast alle emballasjematerialer (plastposer, polystyren, osv.) et sted hvor barn ikke kan få tak i dem.



Installasjon

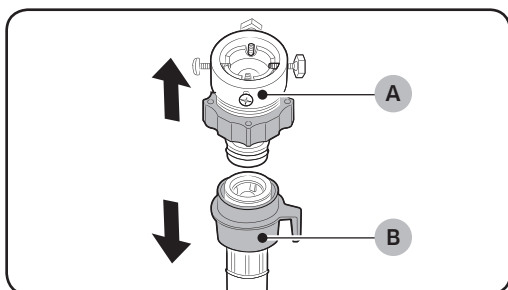
TRINN 3 - Juster de justerbare føttene



1. Plasser vaskemaskinen forsiktig der den skal stå. Overdreven kraft kan skade de justerbare føttene.
2. Juster vaskemaskinens høyde ved å justere de justerbare føttene manuelt.
3. Når høydejusteringen er fullført skal låsemutterne strammes med fastnøkkelen.

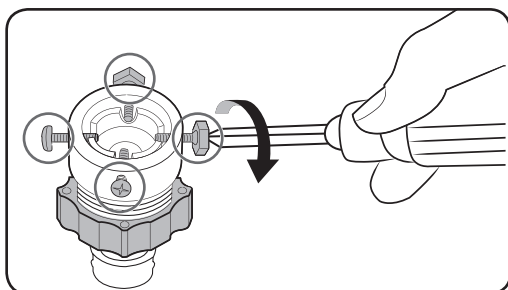
TRINN 4 - Koble til vannslangen

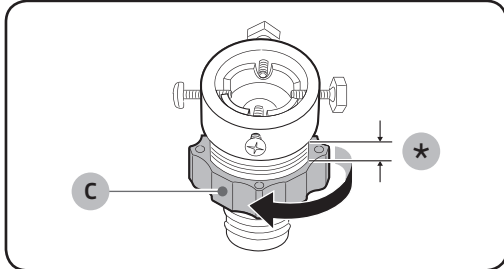
Det medfølgende tilslutningsstykket kan variere etter modell. Denne trinnvise veiledningen beskriver hvordan du kobler til det leddvise tilslutningsstykket. Dersom det fulgte med en skrutepe, kan du gå videre til punkt 7.



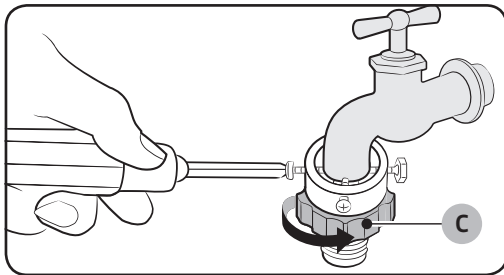
Koble vannforsyningsslangen til vannkranen.

1. Ta adapteren (A) av vannforsyningsslangen (B).
2. Bruk en Philips-skrutrekker for å løsne de fire skruene på adapteren.

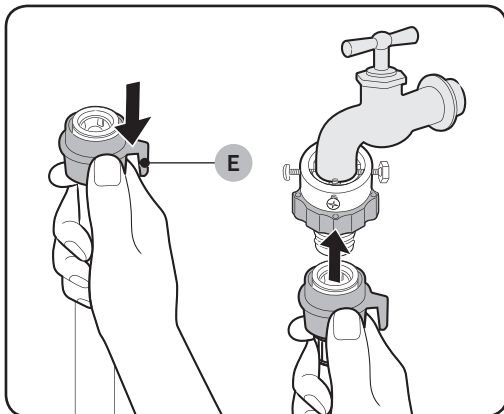




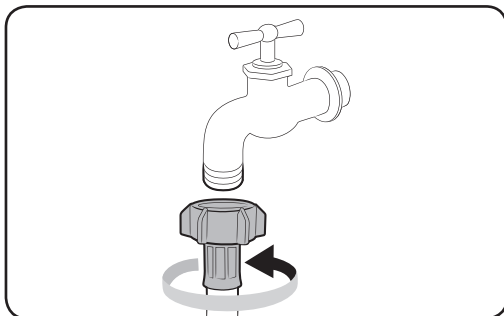
3. Hold adapteren fast og skru del (C) i pilens retning for å løsne den 5 mm (*).



4. Plasser adapteren på vannkranen, og stram skruene mens du holder adapteren oppe.
5. Skru del (C) i pilens retning for å stramme den.



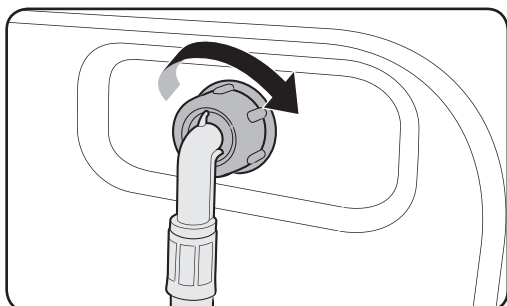
6. Mens del (E) holdes nede, kobles vannforsyningsslangen til adapteren. Slipp så taket på del (E). Du skal høre et liten klikk når slangen fester seg til adapteren.



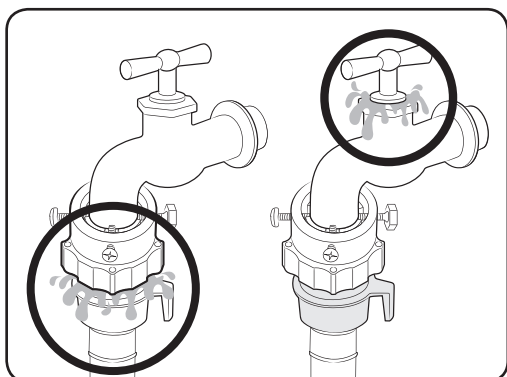
7. Dersom du bruker en skruetype tilpasset til vannkranen, så skal du bruke det medfølgende tilslutningsstykket til å koble til vannkranen, dette som vist.



Installasjon



8. Koble den andre enden av vannforsyningsslangen til inntaksventilen på baksiden av vaskemaskinen. Skru slangen med urviseren for å stramme.



9. Åpne vannkranen, og kontroller om det er noen lekkasjer rundt tilkoblingsområdene. Hvis det er vannlekkasjer skal trinnene over gjentas.

ADVARSEL

Slutt å bruke vaskemaskinen hvis det oppstår en vannlekkasje, og kontakt Samsung-servicesenter. Ellers kan det forårsake elektrisk støt.

FORSIKTIG

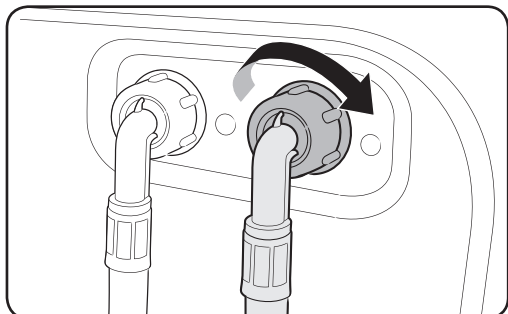
Ikke forsøk å strekke vannforsyningsslangen med makt. Hvis slangen er for kort, skal den skiftes ut med en lengre høytrykksslange.

MERK

- Etter å ha koblet vannforsyningsslangen til adapteren skal det kontrolleres at den er koblet til riktig ved å dra vannforsyningsslangen nedover.
- Bruk vanlige typer vannkraner. Hvis kranen er firkantformet eller for stor, skal avstandsringen fjernes før kranen plasseres i adapteren.

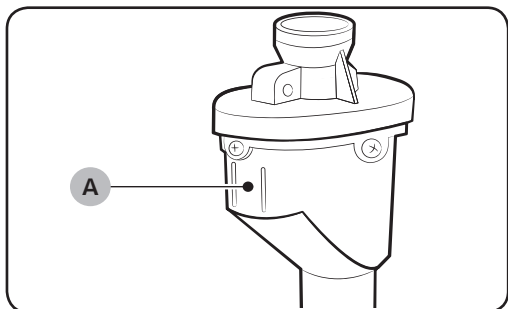


For modeller som har et ekstra varmtvannsinntak:



1. Koble den røde enden av varmtvannforsyningsslangen til varmtvannsinntaket på baksiden av vaskemaskinen.
2. Koble den andre enden av varmtvannforsyningsslangen til varmtvannskranen.

Vannslange med AquaBlock vannsikring (kun for enkelte modeller)



AquaBlock varsler brukeren om risiko for vannlekkasjer. Den føler vannstrømningen og blir rød i den midterste indikatoren (A) hvis lekkasje oppstår.

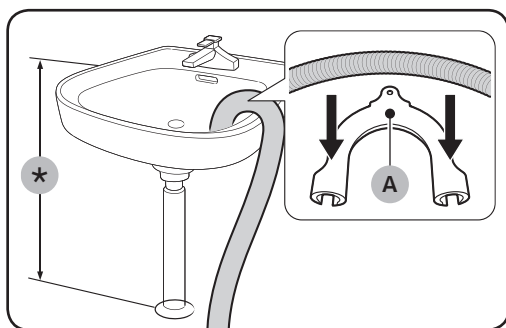
MERK

Aquastop-slangens endestykke må være tilpasset vannkranen og ikke maskinen.

Installasjon

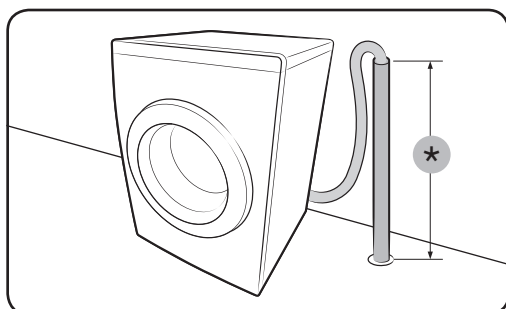
TRINN 5 - Plassering av avløpsslangen

Avløpsslangen kan plasseres på tre måter:



Over kanten på en utslagsvask

Avløpsslangen må plasseres i en høyde på mellom 60 og 90 cm (*) fra gulvet. For å holde tuten på avløpsslangen bøyd skal den medfølgende **plastslangelederen (A)** brukes. Fest lederen til veggen med en krok for å sørge for stabil drenering.

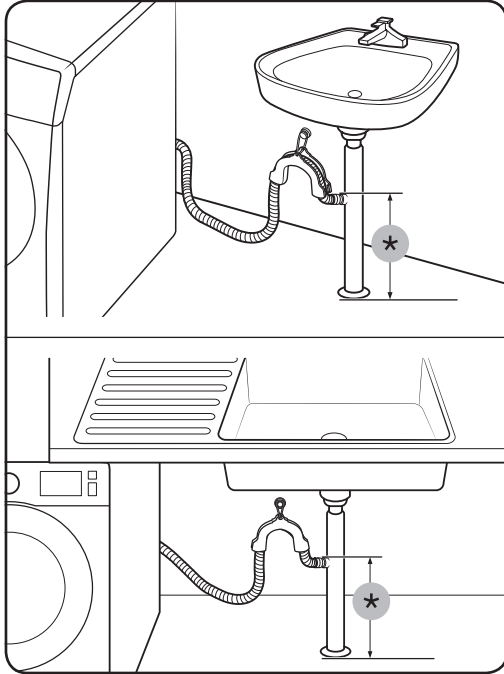


I et dreneringsrør

Dreneringsrøret må være mellom 60 cm og 90 cm høyt (*). Det anbefales å bruke et vertikalt rør på 65 cm. Sørg for at avløpsslangen er koblet til det stående røret på skrå.

Krav for stående dreneringsrør:

- Minst 5 cm i diameter
- Minimumskapasitet for drenering er på 60 liter i minuttet



I et forgrenet avløpsrør

Det forgrenete avløpsrøret må ligge over slukets vannlås, slik at slangens endestykke er minst 60 cm (24 in) over gulvet.

(*) : 60 cm (24 in.)

TRINN 6 - Strøm på

Plugg strømledningen inn i en veggstikkontakt med en godkjent vekselstrøm 220-240V / 50Hz stikkontakt, beskyttet av en sikring eller effektbryter. Trykk så på **Av/på**-knappen for å slå på vaskemaskinen.



Før du begynner

Forhåndsinnstillinger

Kjør kalibrering (anbefales)

Kalibrering sikrer nøyaktig vektgjenkjenning av vaskemaskinen. Sørg for at trommelen er tom før du utfører kalibrering.

1. Slå vaskemaskinen av og så på igjen.
2. Hold nede **Temp.** og **Utsatt slutt +** samtidig i 3 sekunder for å åpne kalibreringsmodus. Meldingen "Cb" vises.
3. Trykk **Start/Pause (hold inne for å starte)** for å kjøre kalibreringssyklusen.
4. Trommelen roterer vekselvis med og mot klokken i omtrent 3 minutter.
5. Når syklusen er fullført, vises "0" på displayet og vaskemaskinen slår seg automatisk av. Vaskemaskinen er nå klar til bruk.

Retningslinjer for vask av tøy

TRINN 1 - Sortering

Sorter klesvasken i henhold til disse kriteriene:

- Etiketten: Sorter klesvasken etter bomull, blandet stoff, syntetisk, silke, ull og kunstfiber.
- Farge: Skill hvitt tøy fra farget tøy.
- Størrelse: Ved å blande tøy i forskjellige størrelser i trommelen forbedres vaskeytelsen.
- Sensitivitet: Vask finvask separat for ren ny ull, gardiner og silketøy. Sjekk vaskeanvisningene på tøyets etikett.

MERK

Sørg for at vaskeanvisningene på tøyets etikett blir fulgt før vaskingen starter, og sorter tøyets etikett i henhold til anvisningene.



TRINN 2 - Tøm lommene

Tøm lommene på alt tøyet i klesvasken

- Metallgjenstander som mynter, nåler og spenner på tøyet kan skade annet tøy i klesvasken så vel som trommelen.

Vreng klær med knapper og broderier

- Hvis glidelåser i bukser og jakker er åpne under vask, kan trommelen ta skade. Glidelåser bør være lukket og festet med en tråd.
- Tøy som har lange snorer vil lett kunne surre seg fast i annet tøy. Fest snorene før du begynner vasken.

TRINN 3 - Bruk en vaskepose

- Brysthøldere (som kan vaskes i vann) må legges i ett vaskenett. Metalldele fra brystholderne kan komme løs og ødelegge annet tøy.
- Små og lette klær som sokker, hansker, strømper og lommestørklær kan sette seg fast rundt døren. Legg dem inni en vaskepose.
- Ikke vask vaskeposen alene uten annet tøy. Dette kan forårsake unormale vibrasjoner som kan få vaskemaskinen til å flytte på seg og bli resultere i skade.

TRINN 4 - Forvask (ved behov)

Velg alternativet Forvask for det valgte programmet hvis vasken er veldig skitten. Ikke bruk alternativet Forvask når vaskemiddel blir lagt til trommelen manuelt, eller når du fyller på vaskemiddel.

TRINN 5 - Fastslå passende tøymengde

Ikke overfyll vaskemaskinen. Overbelastning kan gjøre så vaskemaskinen ikke vasker på riktig måte. For informasjon om hvor mye tøy som kan vaskes av gangen for forskjellige typer tøy, se side 37.

MERK

Når sengetøy eller sengetepper vaskes, kan vasketiden bli forlenget eller sentrifugerings effektiviteten bli redusert. For sengetøy eller sengetepper anbefales en sentrifugeringshastighet på maksimum 800 o/min og en tøymengde på 2 kg eller mindre.

FORSIKTIG

- Ubalansert klesvask kan redusere sentrifugeringsytelsen.
- Forsikre deg om at tøyet ligger ordentlig inni trommelen og ikke sitter fast i døren.
- Ikke smell igjen døren. Lukk døren forsiktig. Ellers kan det hende døren ikke lukkes ordentlig.

Før du begynner



TRINN 6 - Ha i en passende type vaskemiddel

Hvilken type vaskemiddel du skal bruke avhenger av type tøy (bomull, syntetisk, finvask, ull), farge, vasketemperatur og hvor møkkete tøyet er. Forsikre deg om at du bruker vaskemiddel beregnet for automatiske vaskemaskiner.

MERK

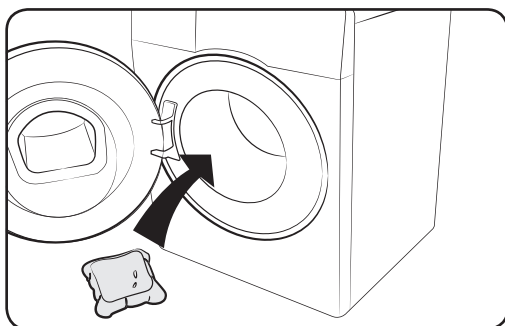
- Bruk vaskemiddelprodusentens anbefalinger i forhold til vekten på klesvasken, hvor møkkete tøyet er og vannets hardhet i ditt område. Kontakt den lokale vannleverandøren hvis du er usikker på vannets hardhet.
- Ikke bruk vaskemiddel som har en tendens til å klumpe seg eller stivne. Rester av slikt vaskemiddel kan bli igjen i maskinen etter at skyllesyklusen er ferdig og blokkere avløpsutgangen.
- Meldingen 'Sud' vises hvis det dukker opp for mange bobler under programmet.

FORSIKTIG

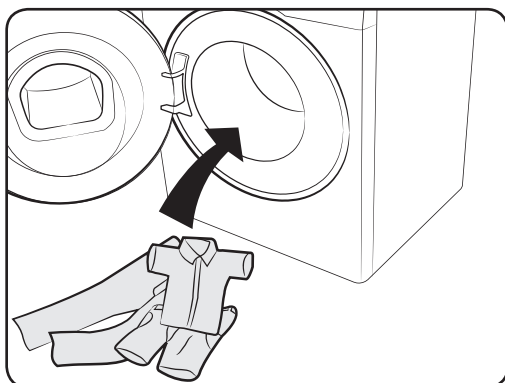
Når du skal vaske ulltøy med **ULL** -program, bruk vaskemiddel tilegnet ullprodukter. Vaskepulver kan bli igjen i klesvasken og forårsake misfarging av tøyet hvis det brukes i **ULL** -programmet.

Vaskemiddel i kapsler

For å oppnå de beste resultater med kapslene, må disse instruksjonene følges.



1. Legg kapselen i bunnen av tom trommel, inn mot bakveggen.



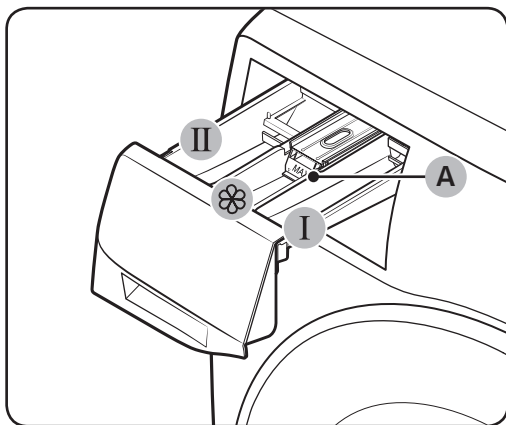
2. Legg klesvasken i trommelen, oppå kapselen.

FORSIKTIG

Det kan hende kapselen ikke oppløses fullstendig for programmer med kaldt vann eller programmer som er avsluttet på under en time.

Veiledning for vaskemiddelskuff

Vaskemaskinen har en skuff med tre deler. Den venstre delen er til hovedvasken, den midtre delen er til tøymyknere, og den høyre delen er til forvask.



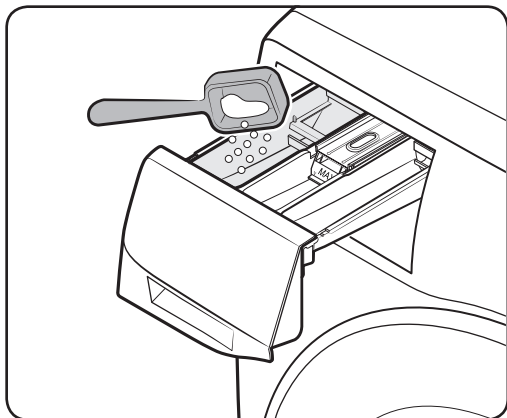
- 01** **I** Vaskemiddel for forberedende vask: Tilføy vaskemiddel eller stivelse for forvask.
- 02** **II** Vaskemiddel for hovedvask: Legg i vaskemiddel for hovedvasken, bløtemiddel for vann, bløtleggingsmiddel, blekemiddel og/ eller flekkfjerner.
- 03**  **Myknerdel**: Legg i tilsetningsmidler som for eksempel tøymykner. Ikke gå over maksstreken (A).

FORSIKTIG

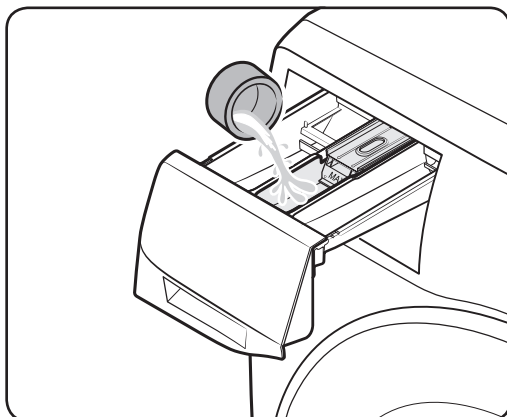
- Ikke åpne vaskemiddelskuffen mens vaskemaskinen er i gang.
- Ikke bruk følgende vaskemiddeltyper i skuffen:
 - Vaskemidler i tablett- eller kapselform
 - Vaskemidler i ball eller nett
- For å unngå at rommene tettes igjen må konsentrerte eller svært berikede midler (tøymykner eller vaskemiddel) tynnes ut med vann før de tilsettes.
- Forsikre deg om at du tømmer vaskemaskinskuffen som kan inneholde vaskemiddel og / eller tøymykner før du flytter vaskemaskinen. Skuffens innhold kan renne ut på gulvet.


Før du begynner

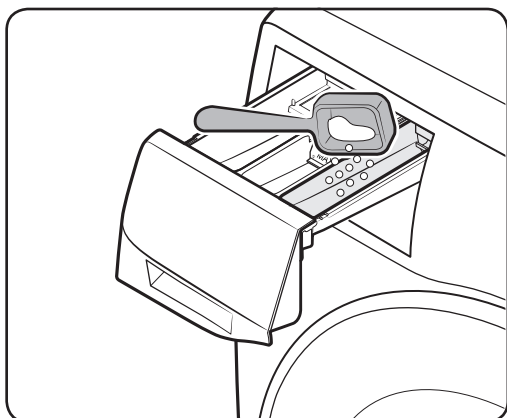
Slik legger du i vaskemiddel i vaskemiddelskuffen



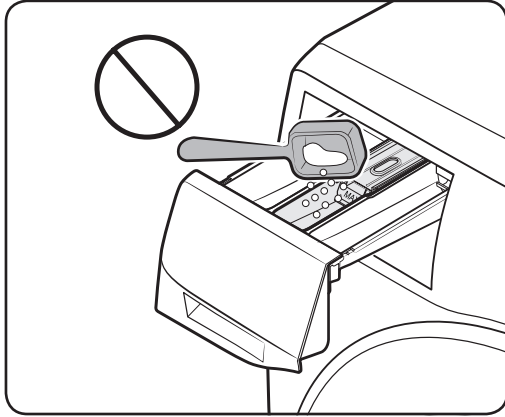
1. Trekk ut vaskemiddelskuffen.
2. Legg vaskemiddel i **II** hovedvaskerommet etter produsentens instruksjoner eller anbefalinger. For å bruke flytende vaskemiddel, må du se side **33**.




3. Tilføy tøymykner til  myknerdelen. Ikke overskrid **makslinjen**.



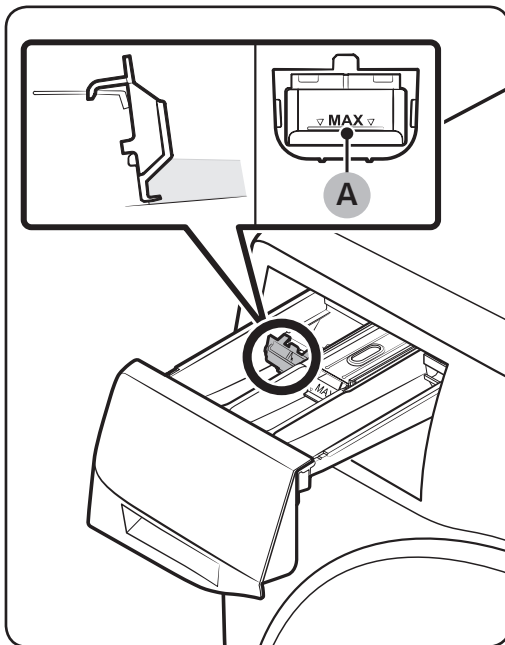
4. Hvis du ønsker forvask, tilføyer du forvaskmiddel til **I** forvaskdelen som instruert eller anbefalt av fabrikanten.
5. Lukk vaskemiddelskuffen.



⚠ FORSIKTIG

- Ikke tilføy pulvervaskemiddel i væskedelen.
- Konsentrert tøyemykner må tynnes ut med vann før det tilsettes.
- Ikke tilføy hovedvaskemiddel til  myknerdelen.

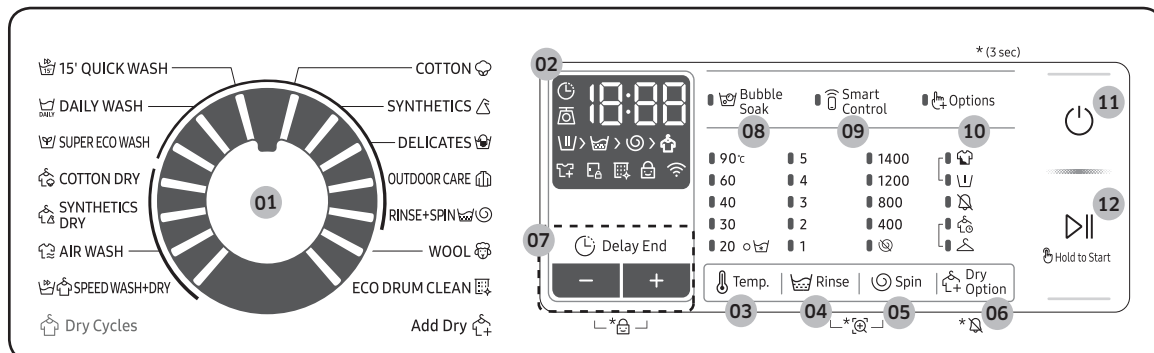
Slik bruker du flytende vaskemiddel (kun egnede modeller)



Sett først den medfølgende vaskemiddelbeholderen inn i **II hovedvask-rommet**. Så legger du flytende vaskemiddel i beholderen under den merkede **maksstrek** (A).

Drift

Kontrollpanel



01 Programvelger	Vri på bryteren for å velge et program.
02 Display	Displayet viser informasjon for gjeldende program og estimert gjenstående tid, eller en informasjonskode når et problem oppstår. For knapper og symboler henvises til samsvarende side.
03 Temp.	Trykk for å endre vanntemperaturen for det valgte programmet.
04 Skylling	Trykk for å endre hvor mengden skyllinger for nåværende program. Du kan stille inn antall skyllinger er opptil 5, avhengig av syklus.
05 Sentrifugering	<p>Trykk for å endre sentrifugeringshastighet for det valgte programmet. Omdreiningshastigheten (O/MIN) varierer ut i fra valg av modell.</p> <ul style="list-style-type: none"> • Skyllestopp (ingen indikator): Den siste skyllesyklusen utsettes slik at tøyet blir liggende i vannet. For å ta ut tøyet må du kjøre en tømme- eller sentrifugeringssyklus. <ul style="list-style-type: none"> - For å bruke skyllestopp-funksjonen, trykk Sentrifugering gjentatte ganger til alle numeriske indikatorer for omdreiningshastigheten er skrudd av. Ikke tilgjengelig for TØMMING/SENTRIFUGERING-programmet. • Ingen sentrifugering : Trommelen sentrifugerer ikke etter siste tømme-syklus. <ul style="list-style-type: none"> - For å bruke funksjonen Ingen Sentrifugering, trykk Sentrifugering gjentatte ganger til indikatoren for Ingen Sentrifugering (☹) er skrudd på. • Kun sentrifugering: For å starte Kun sentrifugering-programmet, trykker du Sentrifuge i 3 sekunder. Når programtiden og sentrifugehastigheten vises, trykker du på Sentrifuge gjentatte ganger inntil ønsket sentrifugehastighet er valgt. Deretter trykk og hold inne Start/Pause (hold inne for å starte) for å starte programmet. Sentrifugeringstiden varierer, avhengig av valgt program.

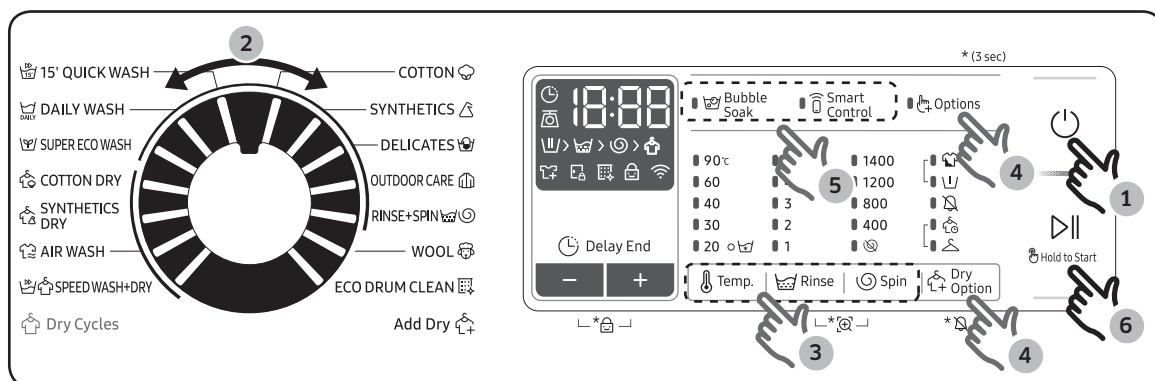
06 Tørkealternativ	<p>Trykk for å velge et tørrhetsnivå: Skaptørt > Tidstørk (30 min > 1:00 t > 1:30 t > 2:00 t > 2:30 t > 3:00 t > 3:30 t > 4:00 t > 4:30 t) > Ingen Tørking</p> <ul style="list-style-type: none"> • Skaptørt: Bruk dette alternativet for å tørke vask som bomull, undertøy og sengetøy. • Tidstørk: Bruk dette alternativet for å tørke vasken i den spesifiserte tidsperioden avhengig av fibrene, vaskemengden og fuktigheten. • Ingen Tørking: Bruk dette alternativet hvis du ikke bruker et tørkeprogram.
07 Utsatt slutt	<p>Utsatt slutt lar deg angi sluttiden for gjeldende syklus. Basert på innstillingene, vil starttiden for syklusen bli fastslått av maskinens interne logikk. Denne innstillingen er praktisk for å, for eksempel, programmere maskinen til å fullføre en vask på tidspunktet du vanligvis kommer hjem fra jobb.</p> <ul style="list-style-type: none"> • Trykk for å velge en forhåndsinnstilt timeenhet.
08 Boblebløtlegging	<p>Trykk for å aktivere/deaktivere funksjonen Boblebløtlegging. Den hjelper med å fjerne et stort antall gjenstridige flekker.</p> <ul style="list-style-type: none"> • Boblebløtlegging hjelper med å fjerne et antall gjenstridige flekker. • Med Boblebløtlegging valgt, blir vasken grundig bløtlagt i vannbobler for effektiv vask. • Boblebløtlegging er tilgjengelig for- og legger til opptil 30 minutter til disse programmene: BOMULL, SYNTETISK, DAGLIGVASK og HURTIGVASK+TØRK.
09 Smart Control	<p>Trykk på denne knappen for å aktivere / deaktivere Smart Control-funksjonen. Når Smart Control-funksjonen er aktivert kan du styre vaskemaskinen med din mobile enhet. For mer informasjon se SmartThings-delen på side 45.</p>
10 Tilvalg	<p>Trykk for å velge tilvalgene. Tilgjengelige alternativer avhenger av programmet.</p>
11 Av/på	<p>Trykk for å slå på/av vaskemaskinen.</p>
12 Start/Pause (hold inne for å starte/Hold to Start)	<p>Trykk og hold inne for å starte en funksjon, eller trykk for å stoppe midlertidig en funksjon.</p>

Se delen om spesielle funksjoner for flere opplysninger om tilvalgene.

Drift

Enkle trinn for å starte

Vanlige forholdsregler



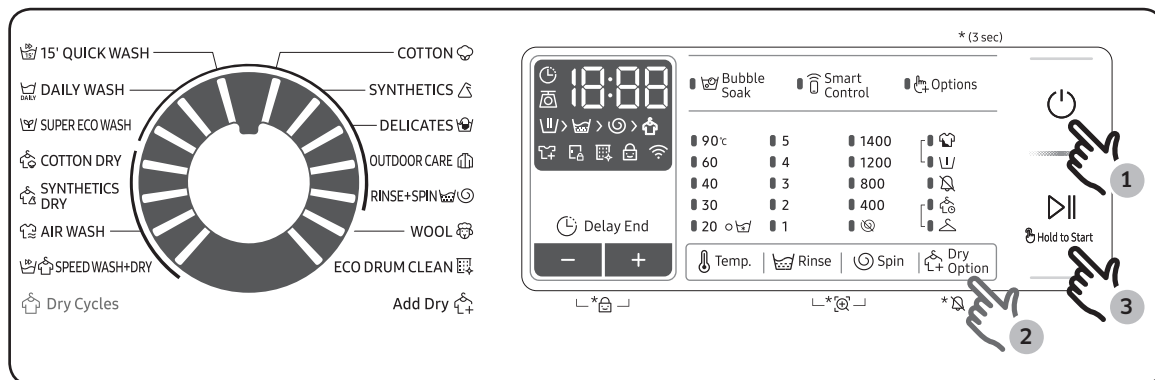
1. Trykk **Av/på** for å slå på vaskemaskinen.
2. Velg et program fra programvelgeren.
3. Endre programinnstillingene (**Temp.**, **Skylling**, og **Sentrifugering**) etter behov.
4. Trykk **Tilvalg** eller **Tørkealternativ** for å legge til ønskede alternativer. Tilgjengelige alternativer vil variere avhengig av det valgte programmet.
5. For enkel tilgang støtter maskinen tilvalgene **Boblebløtlegging** og **Smart Control**. Trykk på samsvarende knapp for å benytte deg av en av valgmulighetene.
6. Trykk og hold inne **Start/Pause (hold inne for å starte)**.

Endre programmet mens maskinene er i gang

1. Trykk på **Start/Pause (hold inne for å starte)**-knappen for å stoppe maskinene.
2. Velg et annet program.
3. Trykk på **Start/Pause (hold inne for å starte)**-knappen igjen for å starte det nye programmet.

Kun tørking

Følg disse trinnene for å tørke fuktig vask eller vask som nettopp er avsluttet.



1. Trykk **Av/på** for å slå på vaskemaskinen.
2. Trykk **Tørkealternativ** gjentatte ganger til det ønskede tørrhetsnivået er angitt.
3. Trykk og hold inne **Start/Pause** (hold inne for å starte).







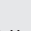

Endre programmet mens maskinene er i gang




1. Trykk på **Start/Pause** (hold inne for å starte)-knappen for å stoppe maskinene.
2. Velg et annet program.
3. Trykk på **Start/Pause** (hold inne for å starte)-knappen igjen for å starte det nye programmet.

Drift


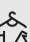



Oversikt over programmene

Standardprogrammer

Syklus	Beskrivelse og maksimumsvekt (kg)	
BOMULL 	<ul style="list-style-type: none">For bomullstøy, sengetøy, duker, undertøy, håndklær, trøyer eller skjorter. Vasketiden og antallet skyllesykluser justeres automatisk i forhold til størrelsen på klesvasken.	Maksimum
SYNTETISK 	<ul style="list-style-type: none">For bluser, trøyer eller skjorter som er laget av polyester (diolen, trevira), polyamid (perlon, nylon) eller lignende.	4,0
FINVASK 	<ul style="list-style-type: none">For ømfintlige tekstiler som rayon, viskose og syntetiske blandingsfibre.Bruk flytende vaskemiddel for best yteevne.	2,0
YTTERTØY 	<ul style="list-style-type: none">For yttertøy, skitøy og sportstøy som er laget av funksjonelle tekstiler som f.eks. spandex, elastiske tekstiler og mikrofiber.	2,0
SKYLLING OG SENTRIFUGERING 	<ul style="list-style-type: none">Har et ekstra skylleomløp etter å ha sluppet tøymykneren i klesvasken.	Maksimum
ULL 	<ul style="list-style-type: none">Spesialprogram for ull som kan vaskes i maskin for tøymengder på under 2,0 kg. Ull-programmet gjør at tøyet vugges og skylles skånsomt for å beskytte ullfibrene mot krymping / misforming.Det anbefales å bruke et nøytralt vaskemiddel.	2,0
ECO DRUM CLEAN 	<ul style="list-style-type: none">Rengjør trommelen gjennom fjerning av smuss og bakterier.Rengjør vaskemaskindørens gummipakning gjennom fjerning av smuss.Kjør én av 40 vasker uten bruk av vaske- eller blekemiddel. Den varsler automatisk etter hver 40. vask.Sørg for at trommelen er tom.Ikke bruk rengjøringsmidler for å rengjøre trommelen.	-



Syklus	Beskrivelse og maksimumsvekt (kg)	
KORTPROGRAM 15' 	<p>For lett tilsmussede plagg og klesvask på under 2,0 kg som du trenger raskt.</p> <ul style="list-style-type: none"> • Bruk under 20 g med vaskemiddel. Bruk av over 20 g vaskemiddel kan føre til vaskemiddelrester. • Bruk maks. 20 ml ved bruk av flytende vaskemiddel. 	2,0
DAGLIGVASK 	<ul style="list-style-type: none"> • Brukes til hverdagsklær som undertøy og skjorter. 	4,0
SUPER ECO WASH 	<ul style="list-style-type: none"> • De lavere temperaturene for "Ecobubble"-syklus bidrar til å redusere strømforbruket. 	4,0

Tørkeprogram



Syklus	Beskrivelse og maksimumsvekt (kg)	
BOMULL TØRK 	<ul style="list-style-type: none"> • For generell tørking. 	5,0
SYNTETISK TØRK 	<ul style="list-style-type: none"> • En tørkesyklus med lav temperatur for varmesensitive plagg. 	3,0
AIR WASH 	<ul style="list-style-type: none"> • Dette programmet er nyttig når du vil fjerne vond lukt. Vri syklusvelgeren gjennom følgende driftsmoduser. 	1,0
HURTIGVASK+TØRK 	<ul style="list-style-type: none"> • Det kan være nødvendig med ekstra tørking avhengig av tøyets volum og tykkelse. <p> MERK Maksimallast (4,5 kg) ble testet i samsvar med IEC-standarden (4 bomullsputer, 3 bomullshåndklær, 5 strykefrie puter, 10 strykefrie skjorter).</p>	4,5

Drift

Tilvalg

Valg		Beskrivelse
	Intensivvask	<ul style="list-style-type: none">For veldig møkkete klær. Vasketiden for hver syklus vil være lenger enn normalt.
	Forvask	<ul style="list-style-type: none"> Dette vil legge til en forberedende vaskesyklus før hovedprogramsyklusen.

Tørkealternativ

Valg		Beskrivelse
	Skaptørt	<ul style="list-style-type: none">Velg automatisk tørking av vasken gjennom å fastslå klesvaskens mengde og vekt. Velg denne for tørking av bomullsklær som bomullsbukser, T-skjorter og bomullsundertøy.
	Tidstørk	<ul style="list-style-type: none">Brukes for tørking av vasken for en spesifisert tidsperiode, avhengig av stoffet, lasten og fuktigheten.

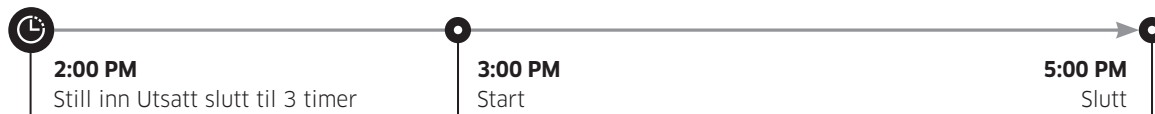
Utsatt slutt

Du kan stille inn vaskemaskinen slik at den avslutter vasken din automatisk på et senere tidspunkt. Du kan velge mellom en utsettelse på 1 til 24 timer (i trinn på 1 time). Timen som vises, angir tidspunktet da vasken er ferdig.

1. Velg et program med nødvendige innstillinger.
2. Trykk **Utsatt slutt** (eller +/- knappen) gjentatte ganger til ønsket sluttid er angitt.
3. Trykk og hold inne **Start/Pause (hold inne for å starte)**. Utsatt slutt-indikatoren blinker og vaskemaskinen sentrifugerer for å oppfatte klesvaskens vekt dersom vektavlesning er forhåndsinnstilt for det valgte programmet. Etter avsluttet program vises din angitte tidspunkt mens tidsuret går.
4. For å avbryte Utsatt slutt, starter du vaskemaskinen på nytt ved å trykke **Av/på**.

Bruk tilfelle

Du ønsker å fullføre et to-timers program, 3 timer fra nå. For dette legger du til valget Utsatt slutt til nåværende program med 3-timers innstilling, og trykk og hold inne **Start/Pause (hold inne for å starte)** når den er på 2:00 PM. Hva skjer da? Vaskemaskinen starter programmet kl. 3:00 PM og slutter når klokken er 5:00 PM. Under her er tidslinjen for dette eksempelet.




Vektsensor

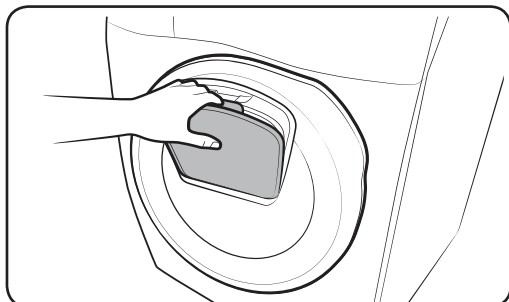
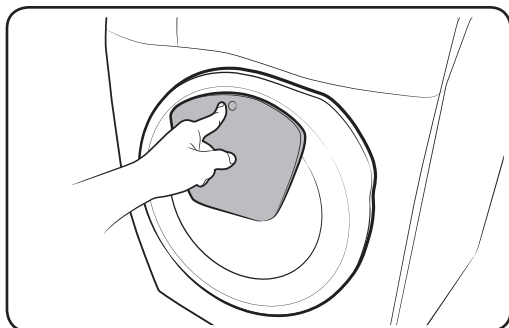
Symbolet for vektsensoren lyser når du velger et program som støtter veiing av klesvasken. Det er mulig noen programmer ikke støtter veiing av klesvasken. Straks du starter programmet vil symbolet blinke eller fortsette som før under veiingprosessen, og slås av når prosessen er fullført.

Drift

Spesielle funksjoner

AddWash

Når AddWash-symbolet  kommer på, kan du stoppe maskinen og legge inn mer tøy eller tøymykner i trommelen. For økt tilgjengelighet åpnes Add Door når en temperatur på minst 130° oppnås.



1. Trykk på **Start/Pause (hold inne for å starte)**-knappen for å stoppe maskinene.
2. For å låse Add Door trykker du den inn til du hører et klikk. Dra i håndtaket på Add Door for å åpne.
3. Åpne Add Door og legg mer tøy eller tøymykner inn i trommelen.
4. For å lukke Add Door trykker du den inn til du hører et klikk.
5. Trykk og hold inne **Start/Pause (hold inne for å starte)** for å gjenoppta funksjonen.

FORSIKTIG

Ikke legg for mye kraft på Add Door. Den kan ødelegges.

MERK

Vannet inne i trommelen vil ikke lekke ut så lenge Add Door er riktig lukket. Vanndråper kan dannes rundt vinduet, men de vil ikke lekke fra innsiden av trommelen.

FORSIKTIG

- Ikke åpne Add Door hvis det har dannet seg såpeskum inne i trommelen og skummet overstiger Add Door.
- Ikke forsøk å åpne Add Door mens maskinen er i drift uten først å trykke **Start/Pause (hold inne for å starte)**. Vær oppmerksom på at Add Door kan åpnes utilsiktet (uten å trykke **Start/Pause (hold inne for å starte)**) etter at vaskeprogrammet er fullført.
- Ikke legg inn for mye tøy gjennom Add Door. Dette kan føre til svekket ytelse.
- Ikke bruk den nederste delen av Add Door som håndtak. Fingrene dine kan komme i klem.
- Sørg for at tøy ikke klemmes fast i Add Door.
- Sørg for at kjæledyr ikke befinner seg inne i vaskemaskinen, spesielt i Add Door.
- Når du bruker varmt vann for klesvasken, kan det late til at det lekker vann fra Add Door etter at den åpnes og lukkes. Dette er normalt, fordi dampen som kommer ut fra den åpne Add Door er avkjølt og danner vanndråper på overflaten.
- Når Add Door lukkes, forsegler døren seg slik at vannet ikke kan lekke ut. Det kan imidlertid hende du opplever at det tilsynelatende oppstår vannlekkasje rundt døren – restvannet ligger igjen rundt Add Door kan danne vanndråper. Dette er normalt.
- Verken hoveddøren eller Add Door kan åpnes når vanntemperaturen er over 50 °C. Hvis vannivået inne i trommelen er over et visst punkt, kan hoveddøren heller ikke åpnes.
- Hvis informasjonskoden “**DDC**” vises på skjermen, kan du finne flere handlinger i delen **Informasjonskoder**.
- Sørg alltid for å holde Add door og dets interiør rent. Avfallsrester eller vaskemiddel på eller rundt tetningen til Add door kan forårsake lekkasje.

Drift

Innstillinger

Barnesikring

For å forebygge at barn eller spebarn vilkårlig skal starte eller stille inn vaskemaskinen, sørger Barnesikring for å låse alle knappene bortsett fra **Av/på**-knappen.

For å aktivere Barnesikring

- Trykk og hold inne - og + (fra **Utsatt slutt**-tilvalget) samtidig i 3 sekunder. Deretter trykk og hold inne **Start/Pause** (hold inne for å starte) for å aktivere. Døren låses og indikatoren for Barnesikring slås på.

Midlertidig deaktivering av Barnesikring

Du kan deaktivere Barnesikring midlertidig i 1 minutt. Døren er ulåst i 1 minutt og indikatoren for Barnesikring blinker.

- Trykk og hold inne - og + (fra **Utsatt slutt**-tilvalget) samtidig i 3 sekunder.

MERK

- Hvis du åpner døren i 1 minutt eller mer etter deaktivering av Barnesikring, vil en alarm høres i opp til 2 minutter.
- Døren låses og Barnesikring reaktiveres hvis du lukker døren innen 2 minutter. Hvis du ikke lukker døren eller døren ikke er ordentlig lukket, vil alarmen fortsatt høres i 2 minutter.
- For å legge til tøy etter at Barnesikring er aktivert, må Barnesikring først deaktiveres eller vaskemaskinen må startes på nytt.

Avbryte Barnesikring

- Trykk og hold inne - og + (fra **Utsatt slutt**-tilvalget) samtidig i 3 sekunder for å deaktivere, deretter trykk og hold inne knappene igjen i 3 sekunder for å avbryte Barnesikring. Døren låses opp og indikatoren for Barnesikring slås av.

Lyd på/av

Du kan skru på eller av lyden fra vaskemaskinen. Når funksjonen er innstilt på Av vil verken AddWash-alarmen, melodien til programavslutningen eller pipetonen for avslått maskin høres. De andre lydene vil likevel forbli aktive.

- Trykk og hold inne **Tørkealternativ** i 3 sekunder for å dempe lyden.
- Trykk og hold inne i 3 sekunder igjen for å aktivere normal lyd.
- Innstillingen beholdes også etter at du starter maskinen på nytt.

SmartThings

Wi-Fi-tilkobling

Gå til Innstillinger på smarttelefonen din, slå på trådløs tilkobling og velg et AP (Aksesspunkt).

MERK

- Denne anordningen er kun beregnet for hjemmebruk (klasse B), og kan brukes i alle boligområder.
- Denne anordningen kan forårsake trådløse forstyrrelser, og verken produsenten eller installasjonsteknikeren av anordningen kan forordne noe slags sikkerhetstiltak.
- Anbefalte krypteringsmetoder er WPA / TKIP og WPA2 / AES. Nylig utviklede eller ikke godkjente WI-FI-protokoller støttes ikke.
- Mottaksfølsomheten til et trådløst nettverk kan bli påvirket av omkringliggende trådløse omgivelser.
- Hvis internettleverandøren din har registrert permanent bruk for MAC-adressen på PCen din eller modemmodulen, kan ikke din Samsung vaskemaskin tilkobles internett. Kontakt internettleverandøren din dersom dette er tilfelle.
- Internett-brannmuren kan forstyrre internettforbindelsen din. Kontakt internettleverandøren din dersom dette skjer.
- Kontakt din lokale Samsung-forhandler eller et servicesenter dersom internettavbruddene fortsetter etter å ha fulgt målingene til internettleverandøren din.
- For å installere nettilkoblede og trådløse rutere, henvises det til bruksanvisningen til ruter du bruker.
- Samsung-vaskemaskiner støtter WI-FI 2,4 GHz-protokoller.
- Samsung-vaskemaskiner støtter IEEE802.11 b/g/n (2,4 GHz), Soft-AP-protokoller.
- (IEEE802.11n er anbefalt)
- En ikke godkjent nettilkoblet / trådløs ruter kan mislykkes med å koble til Samsung-vaskemaskin.

Last ned

På et app-marked (Google Play Store, Apple App Store, Samsung Galaxy-apper), finn SmartThings-appen med en søketerm fra "SmartThings". Last ned og installer appen på enheten din.

MERK

- SmartThings-appen er tilgjengelig på tredjepartsenheter med Android OS 6.0 (Marshmallow) eller høyere, Samsung-enheter med Android OS 5.0 (Lollipop) eller høyere og iOS-enheter med iOS 10.0 eller høyere. For iPhone, må det være iPhone 6 eller høyere. Appen er optimalisert for Samsung-smarttelefoner (Galaxy S- og Note-serien).
- Noen av funksjonene i appen kan fungere annerledes på tredjeparts enheter.
- For å sikre forbedret ytelse kan appen endres uten forvarsel.

Drift

Logg inn

Først må du logge inn på SmartThings med din Samsung-konto. Følg instruksjonene i appen for å opprette en ny Samsung-konto. Du trenger ikke en egen app for å opprette brukerkontoen din.

MERK

Benytt deg av brukerkontoen for å logge inn hvis du har en Samsung-konto. En registrert Samsung-smarttelefonbruker logger automatisk inn.

For å registrere enheten din på SmartThings

1. Forsikre deg om at smarttelefonen din er koblet til et trådløst nettverk. Hvis ikke, gå til **Settings (Innstillinger)**, slå på trådløs tilkobling og velg et AP (Aksesspunkt).
2. Velg å kjøre **SmartThings** på smarttelefonen din.
3. Velg **Add (Legg til)** dersom du får meldingen: "A new device is found." ("En ny enhet funnet.")
4. Hvis ingen melding vises, velg + og velg vaskemaskinen din på en tilgjengelig enhetsliste. Velg **Device Type (Enhetsstype)** > **Specific Device Model (Spesifikk Enhetsmodell)** dersom vaskemaskinen din ikke står på listen og legg deretter manuelt til vaskemaskinen din.
5. Registrer vaskemaskinen din på SmartThings-appen på følgende måte.
 - a. Logg inn på SmartThings med din Samsung-konto.
 - b. Koble til WI-FI.
 - c. Legg til vaskemaskinen din på SmartThings. Forsikre deg om at vaskemaskinen din er tilkoblet SmartThings.
 - d. Vaskemaskinen din vises på smarttelefonen din når registreringen er fullført.

Vaskemaskinapp

Integrert styring: Du kan overvåke og styre vaskemaskinen din både hjemmefra og om du er på farten.

- Velg vaskemaskin-symbolet på SmartThings. Siden for vaskemaskinen vises.
- Kontroller driftstatus eller varsler i forbindelse med vaskemaskinen din, og hvis nødvendig endre tilvalg eller innstillinger.

SmartThings

Kategori	Kontrollpunkt	Beskrivelse
Overvåking	Vaskestatus	Du kan kontrollere det aktuelle programmet, dets tilvalg og gjenstående programtid.
	Smart Control	Vaskemaskinens status for Smart Control vises.
	Egenkontroll	Bruk denne for å kontrollere at vaskemaskinen fungerer normalt.
	Energiovervåking	Bruk denne for å overvåke status for strømforbruk.
Styring	Start/Pause/Avbryt	Velg et program og nødvendige tilvalg, velg deretter Start/Pause/Avbryt for å starte en funksjon, for å stoppe midlertidig eller for å avbryte den aktuelle funksjonen.
	Min favoritt	Legg til ofte brukte programmer og tilvalg på Min favoritt for senere bruk.
Varsel	Avsluttet program	Varsler deg om at det aktuelle programmet er avsluttet.
	AddWash-alarm (kun for enkelte modeller)	Varsler om at du kan legge til mer tøy.
	Gjenværende tøy (kun for enkelte modeller)	Varsler deg om at tøy er igjen i trommelen etter avsluttet program.

Drift

Kategori	Kontrollpunkt	Beskrivelse
Q-Rator	Vaskeanvisning *	Du kan velge stofftype, farge samt omfang av flekker, for å få veiledende alternativer og vaskeprogrammer du kan starte med en gang.
	Vaskeplan *	Du kan stille inn ønsket tidspunkt for avslutning av vaskeprogrammet. Etter at du har stilt inn ønsket tidspunkt, får du et anbefalt program som avsluttes innenfor det innstilte tidspunktet, og du kan starte eller reservere det anbefalte programmet.
	Veiviser for ettersyn hjemme *	Sørger for en regelmessig rapport med analyse av maskinoperasjonens status på en brukerinnstilt frekvens (hver uke / måned). Du kan bruke denne regelmessige rapporten til å sjekke bruksmønsteret ditt, opprettholde vedlikeholdsstandarden, og energiforbruket ** for den fastsatte tidsperioden.
	* Behøver 'SmartThings', tilgjengelig på Android og iOS. Registrering nødvendig. ** Kun indikative resultater.	

Åpen kilde-erklæring

Programvaren som følger med dette produktet inneholder programvare med åpen kildekode. Du kan få den fullstendige tilhørende kildekode sendt til deg for en periode på tre år etter siste forsendelse av dette produktet ved å sende en e-post til <mailto:oss.request@samsung.com>.

Det er også mulig å få den fullstendige tilhørende kildekode tilsendt på et fysisk medium som for eksempel en CD-ROM mot et lite gebyr.

Følgende URL http://opensource.samsung.com/opensource/SMART_AT_051/seq/0 leder til nedlastingssiden av den tilgjengelige kildekode og informasjonen om den åpne kildekode-lisensen som er relatert til dette produktet. Dette tilbudet gjelder for alle som mottar denne informasjonen.



MERK

Samsung Electronics erklærer herved at denne type radioutstyr er i samsvar med direktiv 2014/53/EU. Hele teksten til EU-samsvarserklæringen er tilgjengelig på følgende internettadresse: Du kan finne den offisielle samsvarserklæringen på <http://www.samsung.com> ved å gå til Support > Søk produktstøtte og deretter angi modellnavnet. Wi-Fi maks sendereffekt: 20 dBm ved 2,412GHz - 2,472GHz

Vedlikehold

Hold vaskemaskinen ren for å forhindre forringet ytelse og for å bevare levetiden.

Eco drum clean

Kjør dette programmet regelmessig for rengjøring og fjerning av bakterier fra trommelen. Programmet varmer opp vannet til mellom 60 °C og 70 °C og fjerner i tillegg oppsamlet smuss fra dørens gummipakning.

1. Trykk **Av/på** for å slå på vaskemaskinen.
2. Vri på **programvelgeren** for å velge **ECO DRUM CLEAN**.
3. Trykk og hold inne **Start/Pause** (hold inne for å starte).

FORSIKTIG

Ikke bruk rengjøringsmidler for å rengjøre trommelen. Kjemiske rester i trommelen kan forårsake skader på tøyet eller vaskemaskinens trommel.

ECO DRUM CLEAN-påminnelse

- **ECO DRUM CLEAN**-påminnelsen vises på hovedskjermbildet etter hver 40. vask. Det anbefales å utføre **ECO DRUM CLEAN** regelmessig.
- Fra du ser denne påminnelsen den første gangen, kan du ignorere påminnelsen opptil 6 vasker på rad. Fra den 7. vasken vil påminnelsen ikke lengre vises. Den vises imidlertid igjen etter 40 nye vask.

Smart Check

For å aktivere denne funksjonen må du først laste ned appen Samsung Smart Washer fra Play Store eller App Store og installere den på en mobilenhet med kamerafunksjon.

Smart Check-funksjonen har blitt optimert for Galaxy- og iPhone-seriene (kun gjeldende modeller).

1. Når vaskemaskinen påviser noe som må kontrolleres, vil en informasjonskode vises på displayet. For å gå inn i Smart Check-modus, trykk og hold inne **Skylling** og **Sentrifugering** samtidig i 3 sekunder.
2. Vaskemaskinen kjører selvdiagnose og viser en informasjonskode hvis den finner en feil.
3. Kjør Samsung Smart Washer-appen på mobilenheten din og trykk på Smart Check.
4. Legg mobilenheten i nærheten av vaskemaskinens display slik at smarttelefonkameraet og vaskemaskinen vender mot hverandre. Informasjonskoden vil så automatisk gjenkjennes av appen.
5. Når informasjonskoden blir korrekt gjenkjent, gir appen detaljert informasjon om problemet samt passende løsninger.

MERK



- Funksjonsnavnet, Smart Check, kan variere avhengig av språk.
- Hvis vaskemaskinen reflekterer lys på skjermen, kan det hende at appen ikke klarer å gjenkjenne informasjonskoden.
- Hvis appen ikke klarer å gjenkjenne Smart Check-koden flere ganger på rad, kan du skrive inn informasjonskoden manuelt på appskjermen.

Vedlikehold

Bruk av tørkeprogram

Alle tørkealternativ, unntatt alternativet Tidstørk, identifiserer vekten av vasken for å kunne vise mer nøyaktig tørketid og tørke vasken mer effektivt.

Henvis til tabellen nedenfor for å velge passende tørkealternativ i henhold til typen og mengden vask og fuktigheten du ønsker å etterlate.

Modus	Tørkealternativ	Bruk	Vaskekapasitet (kg)	
			BOMULL TØRK	SYNTETISK TØRK
Autotørking	 Skaptørt	Bruk dette alternativet for å tørke vask som bomull, undertøy og sengetøy.	5 kg	3 kg
Manuell tørking	 Tidstørk	Bruk dette alternativet for å tørke vasken i den spesifiserte tidsperioden avhengig av fibrene, vaskemengden og fuktighet.	30 ~ 270 min. (i trinn på 30 minutter).	30 ~ 270 min. (i trinn på 30 minutter).

MERK

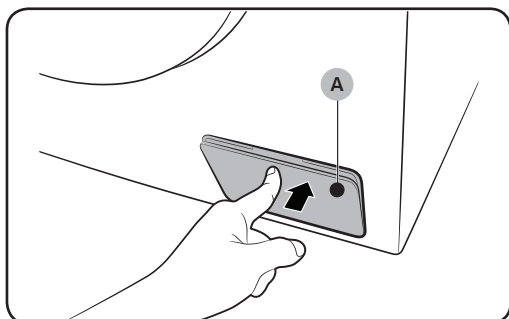
- Tørkeresultatet kan variere avhengig av valgt vaskesyklus og typen/ mengden vask.
- Hvis både vaske- og tørkesyklus velges, blir sentrifugehastigheten stilt automatisk for å forbedre tørkeeffektiviteten.
- I tilfelle du ønsker å tørke vask etter en håndvask, vrir du syklusvelgeren for å velge sentrifugesyklus og velger så et tørkealternativ for best yteevne.
- Når tørking er fullført, kan støv fra klærnes tørre overflate forbli på membranen på grunn av strykeeffekten som forhindrer skrukker. Støvet blir vasket vekk i neste vask. Eventuelt kan du enkelt fjerne det med et fuktig håndkle eller klut.

FORSIKTIG

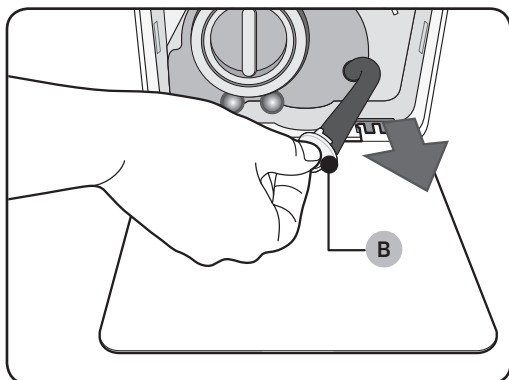
- Ikke bruk tørkefunksjonen etter du har tilføyd klorbasert blekemiddel til vasken under en vaske- eller tørkesyklus. Ellers kan vasken bli misfarget eller materialet skadet.
- Ikke bruk tørkefunksjonen for klær med pelskledning eller som er laget av akrylmateriale. Dette kan resultere i at tørkefunksjonen forringes.
- Ikke berør innsiden av trommelen eller vaskemaskinens overflate under eller rett etter tørking, ettersom den kan være varm. Det kan føre til brannskader.

Nøddrenering

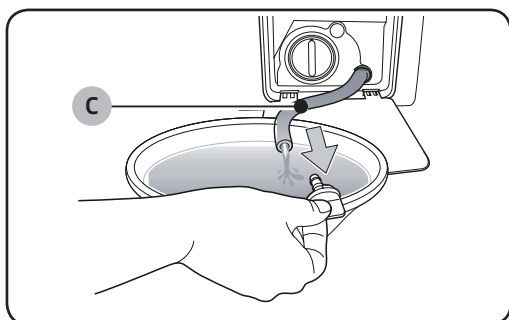
Hvis det skulle oppstå et strømbrudd, må du tømme ut vannet inni trommelen før du tar ut tøyet.



1. Slå av vaskemaskinen og koble strømledningen fra stikkkontakten.
2. Trykk forsiktig øverst på filterdekselet (A) for å åpne det.



3. Plasser en tom, vid beholder rundt dekselet og strekk nøddreneringsslangen til beholderen mens du holder slangelokket (B).



4. Åpne slangelokket og la vann i Nøddreneringsslangen (C) flyte inn i beholderen.
5. Når du er ferdig, lukker du slangelokket, og setter slangen inn igjen. Lukk så filterdekselet.

MERK

Bruk en vid beholder ettersom det kan være mer vann i trommelen enn forventet.

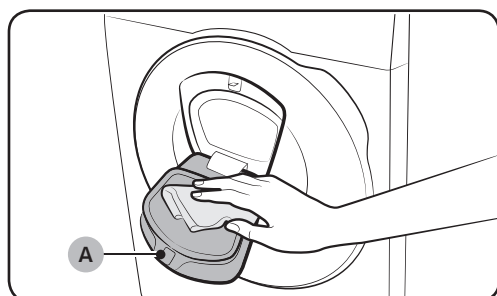
Vedlikehold

Rengjøring

Overflaten til vaskemaskinen

Bruk en myk klut med et ikke-slipende husholdningsrengjøringsmiddel. Ikke spray vann på vaskemaskinen.

Add Door



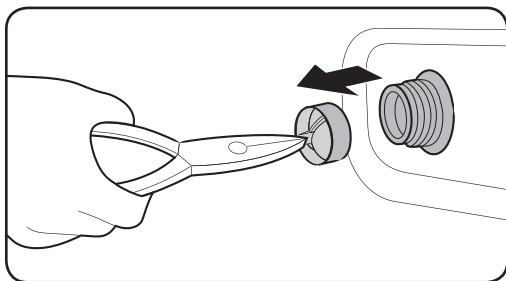
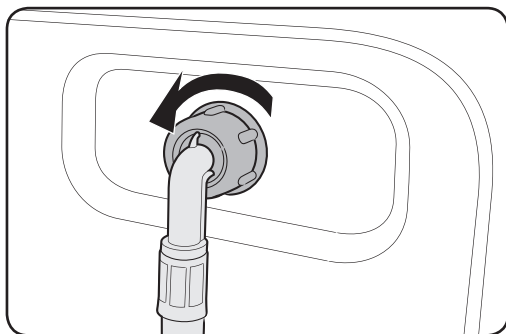
1. Åpne Add Door.
2. Bruk en våt klut for å rengjøre Add Door.
 - Ikke bruk noen av disse rengjøringsmidlene. Slik bruk kan lede til misfaring.
 - Vær forsiktig når du rengjør gummipakningen og låsemekanismen (A).
 - Tørk jevnlig av støvet i området rundt vinduet.
3. Vask og lukk Add Door til du hører et klikk.

FORSIKTIG

- Ikke legg kraft på Add Door. Den kan ødelegges.
- Ikke la Add Door stå åpen mens maskinen er i bruk.
- Ikke legg tunge gjenstander på Add Door på noe som helst tidspunkt.
- For å hindre fysisk skade må du ikke berøre Add Door mens trommelen roterer.
- Ikke åpne Add Door mens maskinen er i bruk. Det kan føre til fysisk skade.
- Ikke endre funksjonspanelet mens Add Door er åpen. Dette kan føre til fysiske skader eller systemsvikt.
- Ikke legg andre gjenstander enn tøy i maskinen.
- Ikke plasser store gjenstander i trommelen gjennom Add Door.
- Ikke trekk ut gummipakningen fra Add Door under rengjøring. Dette kan lede til skade på maskinen.

Vanninntaksfilter

Rengjør vanninntaksfilteret til vaskemaskinen én eller to ganger i året.



1. Slå av vaskemaskinen, og trekk ut kontakten.
2. Steng vannkranen.
3. Løsne og koble fra vanntilførselsslangen fra baksiden av vaskemaskinen. Dekk til slangen med en klut for å forhindre eventuelt vannsøl.
4. Bruk en spiss tang (nebbtang e.l.) for å trekke ut vanninntaksfilteret fra vanninntaket.
5. Senk vanninntaksfilteret slik at den gjengede koblingen også er helt senket.
6. La vanninntaksfilteret tørke i skyggen til det er helt tørt.
7. Sett vanninntaksfilteret på plass i vanninntaket og koble vannslangen til vanninntaket igjen.
8. Åpne vanntilførselen.

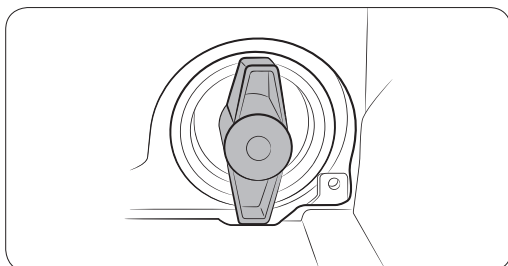
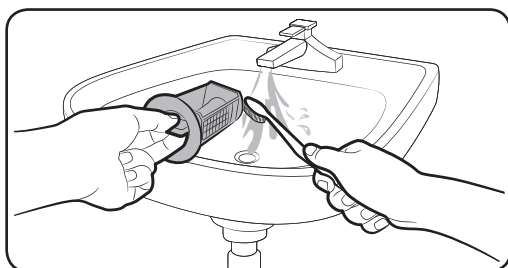
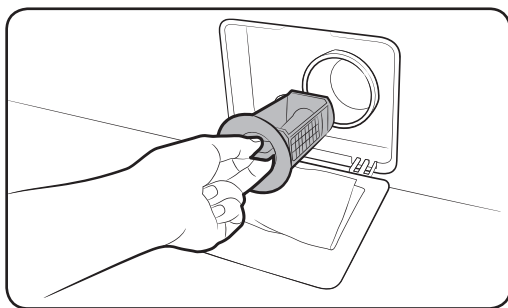
MERK

Hvis vanninntaksfilteret er tilstoppet, vises feilkoden "4C" på skjermen.

Vedlikehold

Pumpefilter

Det anbefales å rense pumpefilteret 5 eller 6 ganger i året for å forhindre at det tilstoppes. Et tilstoppet pumpefilter kan redusere bobleeffekten.



1. Slå av vaskemaskinen, og trekk ut kontakten.
2. Drener gjenværende vann fra trommelen. Se “Nøddrenering”.
3. Trykk forsiktig øverst på **filterdekselet** for å åpne det.
4. Vri knotten til pumpefilteret til venstre og tøm ut gjenværende vann.
5. Rengjør pumpefilteret ved å bruke myke børster. Pass på at dreneringsspumpepropellen inni filteret ikke er tilstoppet.
6. Sett pumpefilteret inn igjen, og skru filterknotten mot høyre.

MERK

- Enkelte pumpefiltre har en sikkerhetsknott som er designet til å forhindre ulykker med barn. Trykk på sikkerhetsknotten, og vri den mot klokken for å åpne den. Fjærmekanismen i sikkerhetsknotten hjelper med å åpne filteret.
- Vri sikkerhetsknotten med klokken for å lukke den. Fjæren lager en skranglelyd. Dette er normalt.

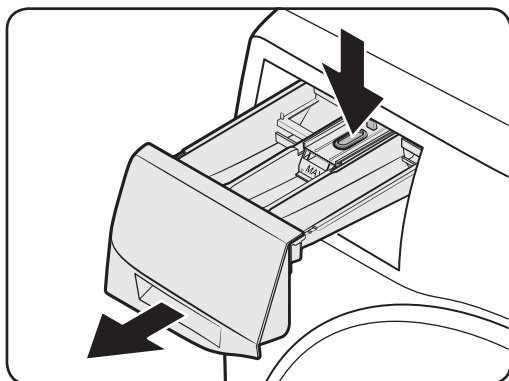
MERK

Hvis pumpefilteret er tilstoppet, vises informasjonskoden “5C” på skjermen.

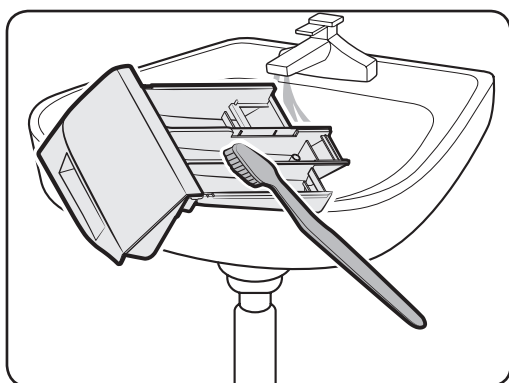
FORSIKTIG

- Pass på at filterlokket er lukket godt nok etter at filteret er rengjort. Ellers kan det forårsake en lekkasje.
- Pass på at filteret er satt riktig inn etter at det er rengjort. Ellers kan dette forårsake en driftssvikt eller en lekkasje.

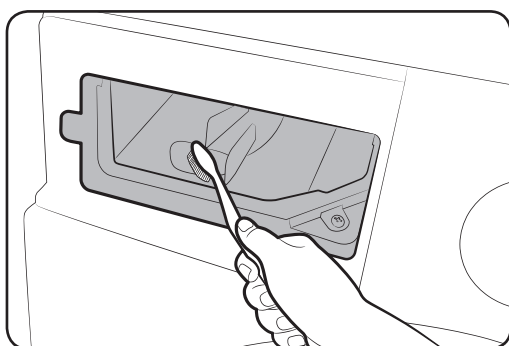
Vaskemiddelskuff



1. Mens du holder nede **utløerspaken** på innsiden av skuffen, drar du skuffen ut.



2. Rengjør skuffdelene i rennende vann med en myk børste.



3. Rengjør skuffordypningen med en myk børste.
4. Sett inn igjen utløerspaken og beholderen for flytende vaskemiddel i skuffen.
5. Skyv skuffen inn for å lukke den.

MERK

For å fjerne vaskemiddelrester kjører du **SKYLLING OG SENTRIFUGERING**-programmet med tom trommel.

Vedlikehold

Oppretting etter frost

Vaskemaskinen kan fryse når temperaturen faller under 0 °C.

1. Slå av vaskemaskinen, og trekk ut kontakten.
2. Hell varmt vann over vannkranen for å løsne fylleslangen.
3. Koble fra fylleslangen og legg den i varmt vann.
4. Hell varmt vann i trommelen, og la det være der i omkring 10 minutter.
5. Koble vannforsyningsslangen til vannkranen igjen.

MERK

Hvis vaskemaskinen fortsatt ikke kjører som normalt, må du gjenta trinnene over til den fungerer som normalt.

Vedlikehold ved en lengre periode uten bruk

Unngå å la vaskemaskinen stå ubrukt i en lengre periode. Hvis dette er tilfelle, tømmer du vaskemaskinen og kobler fra strømledningen.

1. Vri på **programvelgeren** for å velge **SKYLLING OG SENTRIFUGERING**.
2. Tøm trommelen, trykk og hold inne **Start/Pause (hold inne for å starte)**.
3. Når programmet er ferdig, stenger du vannkranen og kobler fra vanntilførselsslangen.
4. Slå av vaskemaskinen, og trekk ut kontakten.
5. Åpne døren, og la luften sirkulere gjennom trommelen.

Feilsøking

Kontrollpunkt

Hvis du støter på et problem med vaskemaskinen, bør du først sjekke tabellen under og prøve forslagene.

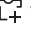
Problem	Handling
Starter ikke.	<ul style="list-style-type: none">• Pass på at vaskemaskinens støpsel er satt i.• Sørg for at døren er ordentlig lukket.• Sørg for at vannkranene er åpne.• Sørg for å trykke eller presse Start/Pause (hold inne for å starte) for å starte vaskemaskinen.• Sørg for at Barnesikring  ikke er aktivert.• Før vaskemaskinen begynner å fylles, vil den lage en serie klikkelyder for å sjekke dørlåsen og utfører en hurtigdrenering.• Sjekk sikringen eller tilbakestill strømbryteren.
Vanntilførsel er ikke tilstrekkelig, eller vann blir ikke tilført.	<ul style="list-style-type: none">• Åpne vanntilførselen helt.• Sørg for at døren er ordentlig lukket.• Kontroller at slangen til vannkilden ikke er frosset.• Kontroller at slangen til vannkilden ikke er i klem eller tilstoppet.• Sørg for at det er tilstrekkelig vanntrykk.
Etter en syklus, ligger det vaskemiddel igjen i vaskemiddelskuffen.	<ul style="list-style-type: none">• Pass på at vaskemaskinen kjører med tilstrekkelig vanntrykk.• Pass på at vaskemiddelet er lagt i midten av vaskemiddelskuffen.• Sørg for at skyllelokket er ordentlig satt inn.• Hvis du bruker kornet vaskemiddel, må du sørge for at vaskemiddelvelgeren er i den øvre stillingen.• Ta ut skyllelokket og rengjør vaskemiddelskuffen.
Overdreven vibrering eller bråker.	<ul style="list-style-type: none">• Sørg for at vaskemaskinen er montert på et plant, solid gulv som ikke er glatt. Hvis gulvet ikke er plant, må du bruke utjevningsføttene for å justere høyden til vaskemaskinen.• Pass på at alle fraktboltene er fjernet.• Kontroller at vaskemaskinen ikke berører noen annen gjenstand.• Kontroller at vasketøyet er jevnt fordelt.• Motoren kan bråke under normal drift.• Kjeledresser eller klær med metallutsmykking kan forårsake støy når de vaskes. Dette er normalt.• Metallgjenstander, sånn som mynter, kan forårsake støy. Fjern disse gjenstandene fra trommelen eller filterbeholderen etter vask.

Feilsøking

Problem	Handling
Drenerer og/eller sentrifugerer ikke.	<ul style="list-style-type: none">• Sørg for at dreneringsslangen er rettet hele veien til dreneringssystemet. Ring etter service hvis du oppdager dreneringsbegrensninger.• Kontroller at avfallsfilteret ikke er tilstoppet.• Lukk døren og trykk eller press Start/Pause (hold inne for å starte). Av sikkerhetsmessige grunner vil ikke vaskemaskinen tromle eller sentrifugere med mindre døren er lukket.• Kontroller at dreneringsslangen ikke er frosset eller tilstoppet.• Sørg for at dreneringsslangen er koblet til et dreneringssystem som ikke er tilstoppet.• Hvis vaskemaskinen ikke blir tilført nok strøm, vil vaskemaskinen midlertidig la være å drenere og sentrifugere. Så snart vaskemaskinen får nok strøm igjen, vil den operere som normalt.
Døren åpnes ikke.	<ul style="list-style-type: none">• Trykk eller press Start/Pause (hold inne for å starte) for å stoppe vaskemaskinen.• Det kan ta litt tid før dørens låsemekanisme frakobles.• Døren kan ikke åpnes før 3 minutter etter at vaskemaskinen har stanset eller strømmen har blitt slått av.• Sørg for at alt vann i trommelen er drenert.• Døren kan ikke åpnes hvis det fremdeles er vann i trommelen. Drener trommelen og åpne døren manuelt.• Se til at lampen for dørlåsen ikke lyser. Lampen for dørlåsen slås av etter vaskemaskinen er drenert.
For mye skum.	<ul style="list-style-type: none">• Sørg for at du bruker anbefalte vaskemiddeltypen når det er hensiktsmessig.• Bruk høyeffektive (HE) vaskemidler for å forhindre for mye skum.• Reduser vaskemiddelmengden for mykt vann, små laster eller lettere tilsmussede laster.• Vaskemidler som ikke er høyeffektive anbefales ikke.
Kan ikke tilføye mer vaskemiddel.	<ul style="list-style-type: none">• Sørg for at gjenværende vaskemiddel eller tøymykner ikke er over grensen.

Problem	Handling
Stopper.	<ul style="list-style-type: none"> • Sett strømledningen inn i et strømførende uttak. • Sjekk sikringen eller tilbakestill strømbryteren. • Lukk døren og trykk eller press Start/Pause (hold inne for å starte) for å starte vaskemaskinen. Av sikkerhetsmessige grunner vil ikke vaskemaskinen tromle eller sentrifugere med mindre døren er lukket. • Før vaskemaskinen begynner å fylles, vil den lage en serie klikkelyder for å sjekke dørlåsen og utfører en hurtigdrenering. • Det kan oppstå en pause eller bløtleggingsperiode i syklusen. Vent litt og vaskemaskinen kan starte. • Sørg for at vanninntaksfilteret til vanntilførselsslengen ved vannkranen ikke er tilstoppet. Rengjør vanninntaksfilteret regelmessig. • Hvis vaskemaskinen ikke blir tilført nok strøm, vil vaskemaskinen midlertidig la være å drenere og sentrifugere. Så snart vaskemaskinen får nok strøm igjen, vil den operere som normalt.
Fylles med feil vanntemperatur.	<ul style="list-style-type: none"> • Åpne begge kraner helt. • Sørg for at valgt vanntemperatur er riktig. • Sørg for at slangene er koblet til riktig kran. Skyll ut vannledninger. • Sørg for at varmtvannsberederen er satt til minimum 49 °C varmtvann ved kranen. Sjekk også varmtvannsbeholderens kapasitet og gjenvinningshastighet. • Koble fra slangene og rengjør vanninntaksfilteret. Vanninntaksfilteret kan være tilstoppet. • Mens vaskemaskinen fylles, kan vanntemperaturen endres ettersom den automatiske temperaturkontrollen sjekker temperaturen på innkommende vann. Dette er normalt. • Mens vaskemaskinen fylles, kan du merke at kun varmt og/eller kun kaldt vann går gjennom dispensereren når kalde eller varme temperaturer velges. Dette er en normal funksjon for den automatiske temperaturkontrollen når vaskemaskinen fastslår vanntemperaturen.
Last er våt ved slutten av en syklus.	<ul style="list-style-type: none"> • Bruk høy eller ekstra høy sentrifugehastighet. • Bruk høyeffektive (HE) vaskemidler for å redusere for mye skum. • Last er for liten. Små laster (én eller to artikler) kan bli ubalansert og ikke sentrifugere helt. • Kontroller at dreneringsslangen ikke er i klem eller tilstoppet.


Feilsøking

Problem	Handling
Lekker vann.	<ul style="list-style-type: none">• Sørg for at døren er ordentlig lukket.• Sørg for at alle slangetilkoblinger er stramme.• Sørg for at enden av dreneringsslangen er riktig satt inn og sikret til dreneringssystemet.• Unngå overbelastning.• Bruk høyeffektive (HE) vaskemidler for å forhindre for mye skum.
Lukter vondt.	<ul style="list-style-type: none">• Overflødig skum som samler seg i avkroker kan forårsake vond lukt.• Kjør rengjøringscykluser med jevne mellomrom for å desinfisere.• Rengjør dørtetningen (membran).• Tørk vaskemaskinens indre etter en syklus er fullført.
Ingen bobler blir sett (kun modeller med Bubbleshot).	<ul style="list-style-type: none">• Overbelastning kan filtrere bobler.• Veldig skitten vask vil muligens ikke generere bobler.
Kan jeg åpne Add Door når som helst?	<ul style="list-style-type: none">• Add Door kan bare åpnes når indikatoren  vises. Derimot vil den ikke kunne åpnes i følgende tilfeller:<ul style="list-style-type: none">- Når koke- eller tørkeprosessen er i gang, og den indre temperaturen blir høy.- Hvis du aktiverer Barnesikring av sikkerhetsårsaker.- Når et vaske- eller tørkeprogram er i gang som ikke involverer ekstra klesvask.


Hvis et problem vedvarer, bør du ta kontakt med et lokalt Samsung-servicesenter.

Informasjonskoder

Hvis vaskemaskinen ikke fungerer, kan det hende du ser en informasjonskode på skjermen. Sjekk tabellen nedenfor, og prøv ut forslagene.

Kode	Handling
4C	<p>Det tilføres ikke vann.</p> <ul style="list-style-type: none">• Sørg for at vannkranene er åpne.• Kontroller at vannslangene ikke er tilstoppet.• Sørg for at vannkranene ikke er frosset.• Pass på at vaskemaskinen kjører med tilstrekkelig vanntrykk.• Sørg for at kaldtvannskranen og varmtvannskranen er riktig tilkoblet.• Rengjør vanninntaksfilteret ettersom det kan være tilstoppet. <p> MERK Når vaskemaskinen viser koden "4C", utfører vaskemaskinen drenering i 3 minutter. På-knappen er uvirksom i løpet av denne tiden.</p>
4C2	<ul style="list-style-type: none">• Sørg for at slangen for kaldtvannstilførsel er godt koblet til kaldtvannskranen. Hvis den er koblet til varmtvannskranen, kan vasken bli misdannet med enkelte sykluser.
5C	<p>Vann dreneres ikke.</p> <ul style="list-style-type: none">• Kontroller at dreneringsslangen ikke er frosset eller tilstoppet.• Sørg for at dreneringsslangen er riktig plassert, avhengig av tilkoblingstypen.• Rengjør restefilteret ettersom det kan være tilstoppet.• Sørg for at dreneringsslangen er rettet hele veien til dreneringssystemet.• Kontakt et kundeservicesenter hvis informasjonskoden fremdeles er der.
DC	<p>Betjening av vaskemaskinen med døren åpen.</p> <ul style="list-style-type: none">• Sørg for at døren er ordentlig lukket.• Kontroller at skittentøyet ikke setter seg fast i døren.
DC1	<p>Låsen på hoveddøren fungerer ikke som den skal.</p> <ul style="list-style-type: none">• Skru maskinen av og start syklusen på nytt.• Kontakt et kundeservicesenter hvis informasjonskoden fremdeles er der.

Feilsøking

Kode	Handling
DC3	Låsen på Add Door fungerer ikke som den skal. <ul style="list-style-type: none">• Skru maskinen av og start syklusen på nytt.• Kontakt et kundeservicesenter hvis informasjonskoden fremdeles er der.
OC	Vann overflyter. <ul style="list-style-type: none">• Start igjen etter sentrifuge.• Hvis informasjonskoden fortsetter å vises på displayet, bør du ta kontakt med et lokalt Samsung-servicesenter.
LC, LC1	Sjekk til dreneringsslangen. <ul style="list-style-type: none">• Sørg for at enden av dreneringsslangen er plassert på gulvet.• Sørg for at dreneringsslangen ikke er tilstoppet.• Kontakt et kundeservicesenter hvis informasjonskoden fremdeles er der. <p> MERK Når vaskemaskinen viser koden "LC,LC1", utfører vaskemaskinen drenering i 3 minutter. På-knappen er uvirksom i løpet av denne tiden.</p>
FC	Sjekk viftemotoren. <ul style="list-style-type: none">• Skru av og på maskinen etter 2-3 minutter, og prøv igjen.
UB	Sentrifuge fungerer ikke. <ul style="list-style-type: none">• Sørg for at vasken er jevnt fordelt.• Kontroller at vaskemaskinen står på et flatt, stabilt underlag.• Omfordel vekten. En badekåpe eller et par dongeribukser, kan resultatet av sentrifugeringen til slutt bli utilfredsstillende, og displayet viser en "UB"-sjekkmelding.
3C	Sjekk motoren for operasjon. <ul style="list-style-type: none">• Prøv å starte syklusen på nytt.• Kontakt et kundeservicesenter hvis informasjonskoden fremdeles er der.
3CP	Kontroller driften av pulsatoren. <ul style="list-style-type: none">• Prøv å starte syklusen på nytt.• Kontakt et kundeservicesenter hvis informasjonskoden fremdeles er der.

Kode	Handling
UC	Elektronikkontrollen må sjekkes (overspenningsfeil). <ul style="list-style-type: none"> Sjekk PCB og kabelsele. Sjekk om strøm tilføres som den skal. Kontakt et kundeservicesenter hvis informasjonskoden fremdeles er der.
	Lav spenning oppdaget <ul style="list-style-type: none"> Sjekk at strømledningen er tilkoblet. Kontakt et kundeservicesenter hvis informasjonskoden fremdeles er der.
HC	Varmesjekk for høy temperatur <ul style="list-style-type: none"> Kontakt et kundeservicesenter hvis informasjonskoden fremdeles er der.
1C	Vannivåsensoren fungerer ikke som den skal. <ul style="list-style-type: none"> Prøv å slå av og starte syklusen på nytt. Sjekk kabelsele for vannivåsensor. Kontakt et kundeservicesenter hvis informasjonskoden fremdeles er der. <p> MERK Når vaskemaskinen viser koden "1C", utfører vaskemaskinen drenering i 3 minutter. På-knappen er uvirksom i løpet av denne tiden.</p>
8C	MEMS-sensoren fungerer ikke som den skal. <ul style="list-style-type: none"> Skrumaskinen av og start syklusen på nytt. Kontakt et kundeservicesenter hvis informasjonskoden fremdeles er der.
AC	Sjekk kommunikasjon mellom hoved- og under-PBA-er. <ul style="list-style-type: none"> Prøv å slå av og starte syklusen på nytt. Kontakt et kundeservicesenter hvis informasjonskoden fremdeles er der.
AC6	Sjekk kommunikasjon mellom hoved- og inverterer-PBA-er. <ul style="list-style-type: none"> Avhengig av status kan det være maskinen automatisk går tilbake til normal drift. Skrumaskinen av og start syklusen på nytt. Kontakt et kundeservicesenter hvis informasjonskoden fremdeles er der.

Feilsøking

Kode	Handling
DDC, ddC	<p>Denne meldingen vises når du åpner Add Door uten å trykke på Start/Pause (hold inne for å starte). Dersom dette skjer, gjør du ett av følgende:</p> <ul style="list-style-type: none">• Trykk på Add Door for å lukke ordentlig. Deretter trykk og hold inne Start/Pause (hold inne for å starte) og prøv igjen.• For å legge til tøy, åpne Add Door og legg inn tøy. Lukk Add Door ordentlig. Deretter trykk og hold inne Start/Pause (hold inne for å starte) for å gjenoppta funksjonen.

Hvis en hvilken som helst informasjonskode fortsetter å vises på skjermen, bør du ta kontakt med et lokalt Samsung-servicesenter.

Spesifikasjoner

Tekstilpleietabell

Følgende symboler gir veiledning om tekstilpleie. Etikettene inkluderer fire symboler i denne rekkefølgen: vasking, bleking, tørking og stryking, og rensing når det er nødvendig. Bruken av symbolene sikrer samsvar blant tøyprodusenter både i inn- og utland. Følg veiledningen på etiketten for å maksimere levetiden til klesplagget og redusere tøyvaskproblemer.

	Slitesterke stoffer		Må ikke strykes
	Ømfintlige stoffer		Kan renses kjemisk med alle typer løsemidler
	Plagget kan vaskes på 95 °C		Rens
	Plagget kan vaskes på 60 °C		Kan kun renses kjemisk med perklorid, rensed bensin, ren alkohol eller R113
	Plagget kan vaskes på 40 °C		Kan kun renses kjemisk med flybensin, ren alkohol eller R113
	Plagget kan vaskes på 30 °C		Må ikke renses kjemisk
	Kun håndvask		Tørkes flatt
	Kun rensing		Kan henges til tørk
	Kan miste fargen i kaldt vann		Tørkes på kleshenger
	Må ikke blekes		Tørkes i tørketrommel, normal varme
	Kan strykes ved 200 °C maks		Tørkes i tørketrommel, redusert varme
	Kan strykes ved 150 °C maks		Må ikke trommeltørkes
	Kan strykes ved 100 °C maks		

Spesifikasjoner

Miljøvern

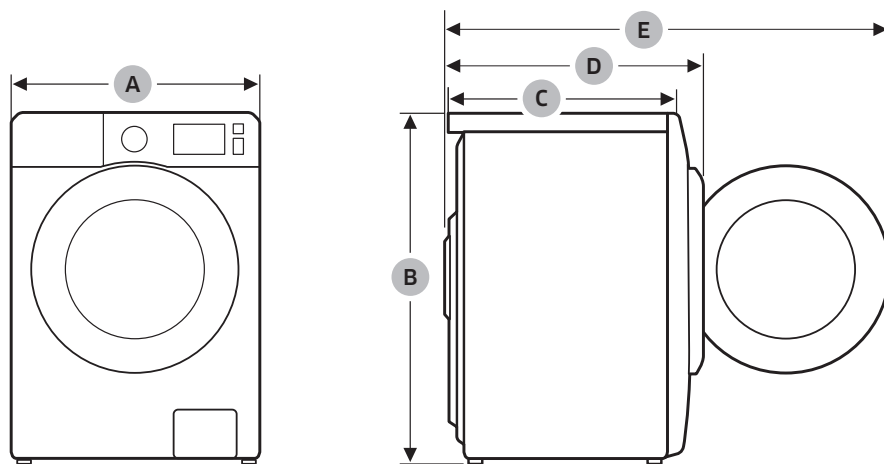
- Denne maskinen er produsert av resirkulerbare materialer. Hvis du skal kaste maskinen, må du følge de lokale forskriftene for avfallshåndtering. Skjær av strømledningen slik at maskinen ikke kan kobles til en strømkilde. Fjern døren slik at dyr og små barn ikke kan bli innestengt i maskinen.
- Ikke bruk mer vaskemidler enn det som anbefales i vaskemiddelprodusentens instruksjoner.
- Bruk flekkfjerningsmidler og blekemidler før vaskesyklusen kun når det er absolutt nødvendig.
- Spar vann og elektrisitet ved at du bare vasker med full maskin (hvor mye avhenger av hvilket program du bruker).

Spesifikasjonsark

“ * ” Stjerne(r) betyr at variantmodeller kan være forskjellige (0-9) eller (A-Z).

Type		Frontmatet vaskemaskin	
Modellnavn		WD90N64****	WD80N64****
Dimensjoner		B600 x D600 x H850 (mm)	
Vanntrykk		50-800 kPa	
Nettovekt		81,0 kg	81,0 kg
Vaske- og sentrifugekapasitet		9,0 kg	8,0 kg
Tørkekapasitet		5,0 kg	5,0 kg
Strømforbruk	Vask og oppvarming	220 V	2000 W
		240 V	2400 W
	Tørking	220 V	1600 W
		240 V	1900 W
Sentrifugeom-dreininger		1400 o/min.	

Spesifikasjoner



A	600 mm
B	850 mm
C	600 mm
D	680 mm
E	1115 mm

MERK

Utformingen og spesifikasjonene kan endres uten varsel i forbindelse med forbedring av kvaliteten.

Kombinert vaskemaskin og tørketrommel for husholdningen

I samsvar med EU-forskrift nr. 96/60/EC

“ * ” Stjerne(r) betyr at variantmodeller kan være forskjellige (0-9) eller (A-Z).

Samsung		
Modellnavn	WD90N64****	
Energieffektivitetsklasse		
A (mest effektiv) til G (minst effektiv)	A	
Energiforbruk		
Vask, sentrifugering og tørking	kWt	6,12
Kun vask og sentrifugering	kWt	1,17
Vaskeeffektivitet		
A (mest effektiv) til G (minst effektiv)	A	
Sentrifugeringseffektivitet		
A (mest effektiv) til G (minst effektiv)	A	
Gjenværende fuktighet	%	44
Maksimal sentrifugeringshastighet	o/min.	1400
Kapasitet		
Vasking	kg	9,0
Tørking	kg	5,0
Vannforbruk		
Vasking, sentrifugering og tørking	ℓ	126
Kun vask og sentrifugering	ℓ	54
Programtid for full vask og tørk (60 °C bomullsvask og bomullstørk for full vaskekapasitet)		
Vasking, sentrifugering og tørking	min	689
Kun vask og sentrifugering	min	254
Programmer som informasjonen på merkelappen og arket relaterer til	Vask	Bomull 60 °C + Intensiv
	Tørking	BOMULL TØRK
Gjennomsnittlig årlig forbruk for en husstand med 4 personer (200 vask og tørk)		
Energiforbruk	kWt/år	1224
Vannforbruk	ℓ	25200
Gjennomsnittlig årlig forbruk for en husstand med 4 personer (200 vask uten tørk)		
Energiforbruk	kWt/år	234
Vannforbruk	ℓ	10800

Spesifikasjoner

Støy under bruk av 60 °C vaskeprogram for bomullstøy og ' bomullstørk'-tørkeprogram		
Vasking	dB (A) re 1 pW	49
Sentrifugering	dB (A) re 1 pW	73
Tørking	dB (A) re 1 pW	62

Data som viser strømforbruket ved tørking er målt i henhold til spesifikasjonene i standarden EN50229.

- Første tørking skal gjøres med en last på 5 kg (lasten består av: 2 laken og 6 putevar og 18 håndklær) ved å velge BOMULL TØRK + Sentrifuge.
- Andre tørking skal gjøres med en last på 4 kg (lasten kan bestå av: 2 laken og 8 putevar og 5 håndklær) ved å velge BOMULL TØRK + Sentrifuge.
(1 eller 2 håndklær kan legges til eller fjernes for å tilpasse vekten.)

Kombinert vaskemaskin og tørketrommel for husholdningen

I samsvar med EU-forskrift nr. 96/60/EC

“ * ” Stjerne(r) betyr at variantmodeller kan være forskjellige (0-9) eller (A-Z).

Samsung		
Modellnavn	WD80N64****	
Energieffektivitetsklasse		
A (mest effektiv) til G (minst effektiv)	A	
Energiforbruk		
Vask, sentrifugering og tørking	kWt	5,44
Kun vask og sentrifugering	kWt	1,04
Vaskeeffektivitet		
A (mest effektiv) til G (minst effektiv)	A	
Sentrifugeringseffektivitet		
A (mest effektiv) til G (minst effektiv)	A	
Gjenværende fuktighet	%	44
Maksimal sentrifugeringshastighet	o/min.	1400
Kapasitet		
Vasking	kg	8,0
Tørking	kg	5,0
Vannforbruk		
Vasking, sentrifugering og tørking	ℓ	112
Kun vask og sentrifugering	ℓ	48
Programtid for full vask og tørk (60 °C bomullsvask og bomullstørk for full vaskekapasitet)		
Vasking, sentrifugering og tørking	min	664
Kun vask og sentrifugering	min	254
Programmer som informasjonen på merkelappen og arket relaterer til	Vask	Bomull 60 °C + Intensiv
	Tørking	BOMULL TØRK
Gjennomsnittlig årlig forbruk for en husstand med 4 personer (200 vask og tørk)		
Energiforbruk	kWt/år	1088
Vannforbruk	ℓ	22400
Gjennomsnittlig årlig forbruk for en husstand med 4 personer (200 vask uten tørk)		

Spesifikasjoner

Energiforbruk	kWt/år	208
Vannforbruk	ℓ	9600
Støy under bruk av 60 °C vaskeprogram for bomullstøy og ' bomullstørk'-tørkeprogram		
Vasking	dB (A) re 1 pW	49
Sentrifugering	dB (A) re 1 pW	73
Tørking	dB (A) re 1 pW	62

Data som viser strømforbruket ved tørking er målt i henhold til spesifikasjonene i standarden EN50229.

- Første tørking skal gjøres med en last på 5 kg (lasten består av: 2 laken og 6 putevar og 18 håndkler) ved å velge BOMULL TØRK + Sentrifuge.
- Andre tørking skal gjøres med en last på 3 kg (lasten kan bestå av: 1 laken og 6 putevar og 7 håndkler) ved å velge BOMULL TØRK + Sentrifuge.
(1 eller 2 håndklær kan legges til eller fjernes for å tilpasse vekten.)



SPØRSMÅL OG KOMMENTARER?

LAND	RING	ELLER BESØK NETTSIDEN VÅR PÅ
NORWAY	815 56480	www.samsung.com/no/support
DENMARK	70 70 19 70	www.samsung.com/dk/support
FINLAND	030-6227 515	www.samsung.com/fi/support
SWEDEN	0771 726 786	www.samsung.com/se/support



DC68-03924J-00