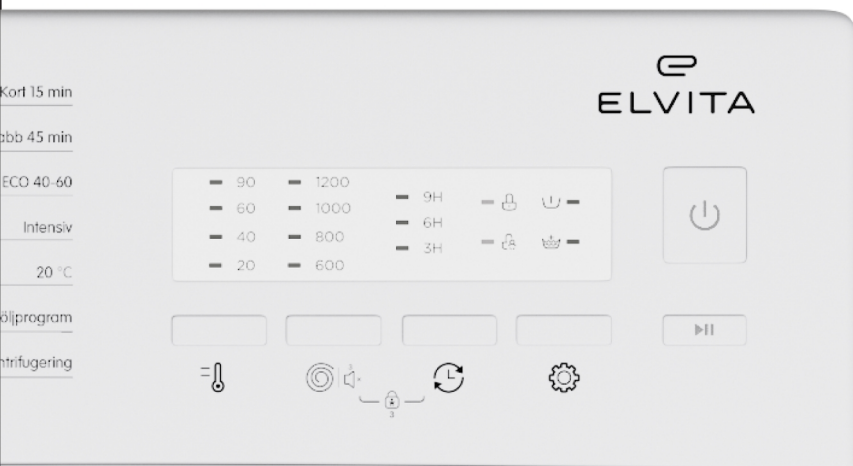


# ELVITA



**User manual**  
Washing machine  
CTM4612V

---

## Thank you

for your trust and the purchase of our product. This user manual is supplied to help you use this product. The instructions should allow you to learn about your new product as quickly as possible.

Make sure you have received an undamaged product. If you do find transport damage, please contact the seller from which you purchased the product, or the regional warehouse from which it was supplied.

ELVITA

Language: en-GB, Publication date: 2021-06-21

This document and its content, including written material and images, are the property of Elon Group AB. You may not copy, reproduce, modify, republish or distribute this document or any of its content without express written permission from Elon Group AB. © 2020, Elon Group AB. All rights reserved.

---



## **Warranty**

Consumer warranty regarding quality of product applies.

**ELVITA**

# Contents

<b>SAFETY</b>	<b>6</b>
Admonitions .....	6
Intended use .....	6
Safety for children and people with disabilities.....	6
General safety.....	7
Safety during installation .....	7
Safety during operation .....	8
Safety during maintenance .....	9
Disposal.....	9
<b>QUICK START</b>	<b>10</b>
<b>GETTING STARTED</b>	<b>11</b>
Installation.....	11
Getting to know your washing machine.....	11
Controls.....	11
Detergent dispenser.....	11
Accessories.....	12
Use the child lock .....	12
Find the model code.....	12
<b>Before first use</b> .....	<b>13</b>
Run an empty washing cycle.....	13
<b>WASHING</b>	<b>14</b>
<b>Before each wash</b> .....	<b>14</b>
<b>Start washing</b> .....	<b>14</b>
<b>Options, settings and functions</b> .....	<b>15</b>
Change the spin speed.....	15
Change the temperature .....	15
Use the Delay option.....	16
Use the Extra rinse option .....	16
Use the Pre-wash option .....	16
Mute and unmute the acoustic signal .....	16
<b>Washing programmes</b> .....	<b>16</b>
20 °C .....	16
Baby care.....	17
Cotton.....	17
Delicate .....	17
Drum clean .....	18
ECO 40-60.....	18
Intensive .....	18
Jeans.....	19
Mix .....	19
Quick 15 min .....	19
Rapid 45 min .....	20

Rinse & Spin .....	20
Spin only .....	20
Sportswear .....	21
Synthetic .....	21
Wool .....	21
<b>CLEANING</b> .....	<b>23</b>
Clean the exterior .....	23
Clean the detergent dispenser .....	23
Clean the drum .....	23
Clean the tap inlet filter .....	24
Clean the machine inlet filter .....	24
Clean the drain pump filter .....	25
<b>TROUBLESHOOTING</b> .....	<b>26</b>
Troubleshooting .....	26
<b>INSTALLATION</b> .....	<b>28</b>
Installation area .....	28
Unpack the machine .....	29
Remove the transport bolts .....	30
Level the machine .....	30
Connect the water supply hose to a tap .....	31
Connect the water supply hose to the machine .....	31
Connect to an external drain .....	31
Position the drain hose into a floor drain .....	32
Connect the drain hose to a sink drain pipe .....	32
Position the drain hose into a sink .....	32
<b>APPENDIX</b> .....	<b>34</b>
Technical specifications .....	34
Consumption values .....	34
EU directives and standards .....	35

## SAFETY

Carefully read the instructions before you install and use the product. Save the instructions and keep them near the product for future reference. All kinds of warranties shall be invalid if these instructions are not followed.

### Admonitions

**WARNING!**

Used when there is a risk for personal injury.

**CAUTION!**

Used when there is a risk for damage to the product.

**NOTE!**

General information that you should be aware of.



**Helpful tips that you may find useful.**

### Intended use

This product is only intended for:

- Indoor use in a household or a household environment such as:
  - staff kitchen areas in shops, offices and other working environments;
  - farm houses;
  - by clients in hotels, motels and other residential type environments;
  - bed and breakfast type environments.
- The washing of machine-washable clothes and textiles in a detergent solution.
- Washing using commercially available low foam detergents and care products which are suitable for use in a top-loaded washing machine or washer-dryer.

### Safety for children and people with disabilities

**WARNING!**

Only let the following groups use the product if they are supervised or if instructions are provided to them about how to use the product in a safe way. They must understand the hazards involved.

- Children. (Children younger than 8 years old must be continuously supervised.)
- People with reduced physical, sensory or mental capabilities.
- People with lack of experience and knowledge.

**WARNING!**

- Do not let children play with the product.
- Do not let children clean the product without supervision.

**WARNING!**

There is a risk that animals and children may climb into the product. Check inside before every operation.

**WARNING!**

The glass door may get very hot during operation. Keep children and pets well away from the product during operation.

## General safety

**WARNING!**

- Do not wash or dry articles that have been cleaned in, washed in, soaked in, or dabbed with combustible or explosive substances, such as wax, oil, paint, gasoline, degreasers, dry cleaning solvents, kerosene, etc. This may result in fire or explosion.
- Rinse any such items of laundry thoroughly by hand before washing.

**WARNING!**

Risk of electric shock!

- If the supply cord is damaged, it must be replaced by the manufacturer, its service agent or similarly qualified persons in order to avoid a hazard.
- If the machine is damaged, it must not be operated unless repaired by the manufacturer, its service agent or similarly qualified persons.
- Before any cleaning or performing any maintenance of the product, unplug the product from the mains.
- Do not use a socket with a rated current less than that of the product.
- Never pull out the power plug from the socket with wet hands.

**CAUTION!**

- Do not climb up or sit on top of the product.
- Do not lean against the door of the product.
- Do not close the door with excessive force. If you find it difficult to close the door, please check that it is not obstructed by laundry.
- Do not wash rugs in the product.

**CAUTION!**

When moving the product:

- The transport bolts must be reinstalled in the machine by a suitably qualified person.
- Any water in the product must be drained out of the machine.
- Handle the product carefully. Never hold protruding parts of the machine while lifting.
- Do not use the door of the product to lift it during transport.
- This product is heavy. Transport with care.

## Safety during installation

**WARNING!**

Before installing the product, check for any externally visible damage. Do not install or use a damaged product.

**WARNING!**

Do not install the machine

- in a bathroom, a very wet room or a room with high humidity;
- in a room with explosive gases or caustic gases; or
- behind a lockable door, a sliding door or a door with a hinge on the opposite side from the product.

**WARNING!**

Adequate ventilation has to be provided to avoid the back flow of gases into the room from appliances burning other fuels, including open fires.

**WARNING!**

- Remove all packaging and transport bolts before using the product. Otherwise, serious damage may result.
- Keep all packaging material well away from children. There is a risk of suffocation!

**WARNING!**

- Make sure that the product is connected to water and electrical supplies by a suitably qualified person in accordance with the manufacturer's instructions and local safety regulations.
- If the power cord is damaged, it must be replaced by the manufacturer, the manufacturer's service agent or similarly qualified persons in order to avoid a hazard.
- Make sure to connect the power plug to an earthed three-pole socket. Check carefully to ensure that your socket is properly and reliably earthed.
- Make sure that the power plug of the machine is accessible after installation and that the machine does not stand on the power cord.
- When levelling the machine, the lock nuts on all four feet must be screwed tightly against the housing.
- If applicable, make sure the ventilation openings in the base of the product not are obstructed by, for example, a carpet.
- Use the new hose sets supplied with the product. Do not reuse old hose sets.

**CAUTION!**

- The inlet hose must be connected to the cold water supply.
- Do not kink, crush, modify or sever the water inlet hose.
- Do not kink or stretch the drain hose.
- Position the drain hose properly, as it could lead to a water leak if it is damaged.
- If the drain hose is too long, do not force it into the machine as it will cause unusual noises.

**CAUTION!**

- Before washing laundry items the first time, a washing programme must be run to completion without any items in the drum.

## Safety during operation

**WARNING!**

- Flammable, explosive or toxic solvents are forbidden. Gasoline and alcohol etc. must not be used as detergents. Only use detergents that are suitable for machine washing.

**WARNING!**

- Always unplug the product and turn off the water supply after use.

**WARNING!**

- Take care to avoid scalding when the hot water is being emptied from the product.
- If the product has a function that allows you to pause a washing programme and add more clothes, do not use this function when the water level is above the rim of the inner drum or the temperature setting is high.
- When the drum is still rotating and there is a large amount of hot water in the drum, it is unsafe to open the door and the door cannot be opened by force.
- Never refill with water by hand during washing.

**CAUTION!**

- After a washing program is completed:
  - wait for two minutes before opening the door, and
  - check whether the water inside the drum has been drained before opening the door. Do not open the door if there is any water visible.

**CAUTION!**

- Fabric softeners, or similar products, should be used as specified by the fabric softener instructions.
- Sharp and rigid items, such as coins, brooches, nails, screws or stones etc., may cause serious damage to this machine. Make sure that all pockets are emptied.



**CAUTION!**

- Before washing laundry items the first time, a washing programme must be run to completion without any items in the drum.

## Safety during maintenance

**WARNING!**

- Only authorised technicians may carry out repairs.
- If you experience problems with the product that the troubleshooting information in the complete manual cannot help you solve, turn off the product, unplug it from the power supply, turn off the water supply, and contact our support and service.

**WARNING!**

Turn off the power supply and the water supply to the product before performing any maintenance.

**WARNING!**

During operation, there may be hot water in the drain pump. Never remove the pump cover during a washing cycle, always wait until the product has finished the cycle and all water has been drained.

**CAUTION!**

- Do not use solvents, alcohol, products containing formic acid, abrasive cleaners, glass cleaners or all-purpose cleaners to clean this product. Plastic surfaces and other parts may become damaged.
- Wear gloves when cleaning the product.
- There is a risk for water leakage if the pump cover is not properly reinstalled after cleaning of the drain pump filter.

## Disposal



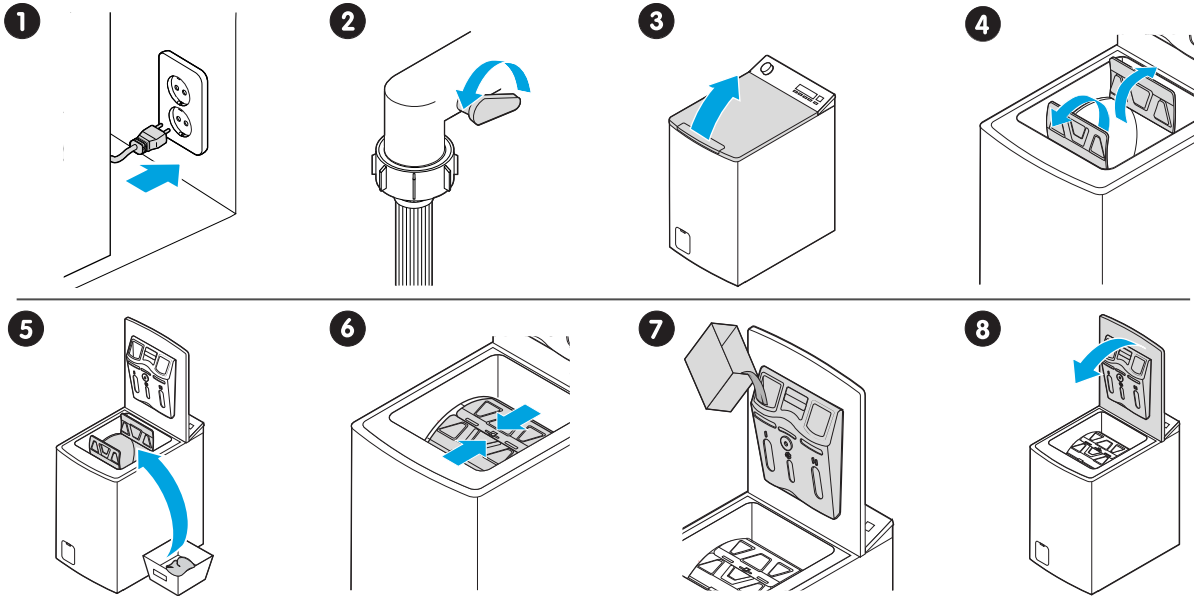
Dispose of packaging in an environmentally-friendly manner. Recycling packaging, while observing national and local regulations, can reduce the consumption of raw materials and the amount of waste in landfill sites.

This product is marked in compliance with European Directive 2012/19/EU, Waste Electrical and Electronic Equipment (WEEE). The symbol on the product or on its packaging indicates that this product should not be treated as household waste. Instead it shall be handed over to the applicable collection point for the recycling of electrical and electronic equipment.

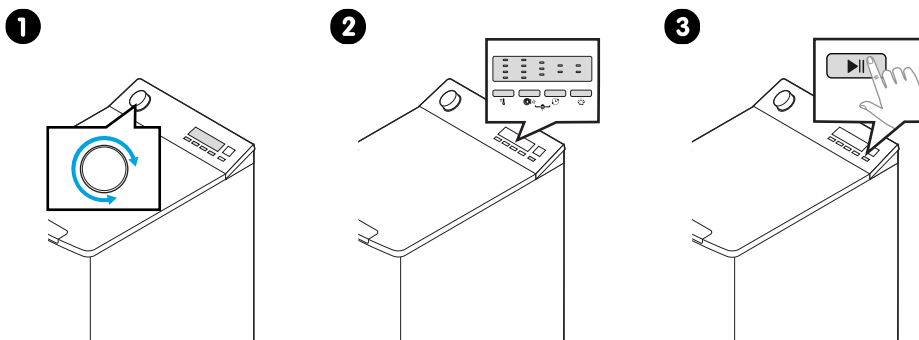
By ensuring this product is disposed of correctly, you will help prevent potential negative consequences for the environment and human health, which could otherwise be caused by inappropriate waste handling of this product. For more detailed information about recycling of this product, please contact the relevant municipal body in charge of waste management, your household waste disposal service or the store where you purchased the product.

# QUICK START

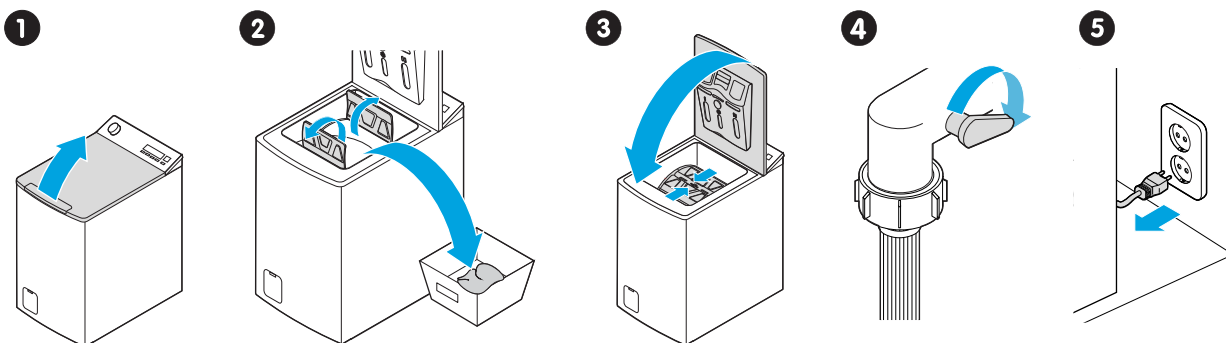
## Before washing



## Washing



## After washing



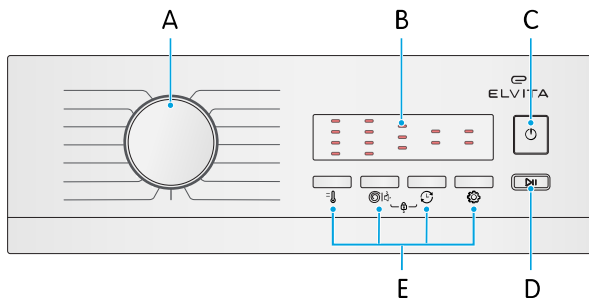
## GETTING STARTED

### Installation

See section "Installation", [page 28](#)

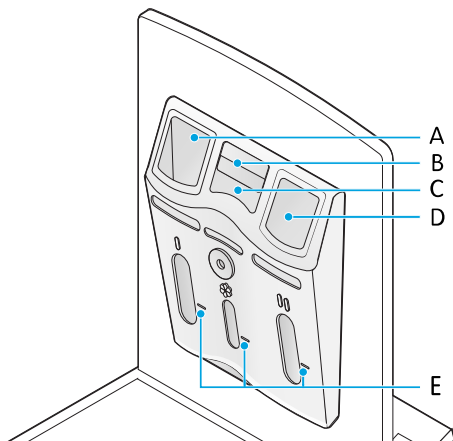
### Getting to know your washing machine

#### Controls



- A. Programme selector
- B. Setting indicator lights
- C. On/Off
- D. Start/Pause
- E. Options, settings and functions

#### Detergent dispenser



- A. Pre-wash detergent
- B. Detergent lock (push down to remove dispenser)
- C. Softener
- D. Main wash detergent
- E. Maximum volume indicator



#### WARNING!

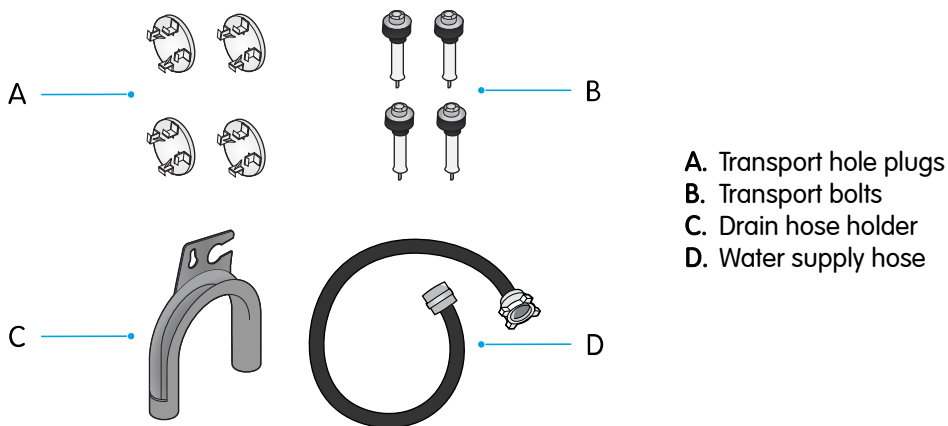
Flammable and explosive or toxic solvents are forbidden. Gasoline and alcohol etc. must not be used as detergents. Only use detergents that are suitable for machine washing.



#### CAUTION!

Do not fill above the maximum volume indicator, when adding detergent, softener or additives.

## Accessories



### Transport hole plugs

For plugging the holes after the transport bolts have been removed.

### Transport bolts

For securing the machine during transport.

### Drain hose holder

For securing the hose and avoiding kinks, for example when placing the hose over the edge of a sink.

### Water supply hose

For connecting the machine to the water supply.

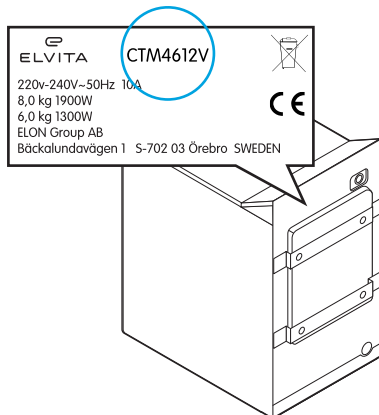
## Use the child lock

Activate the child lock to avoid accidental operation by children.

1. Press and hold and for 3 seconds until an acoustic signal sounds. All buttons except are now locked.
2. Press and hold and for 3 seconds to deactivate the child lock.

**NOTE! Turning the power off and on will not deactivate the child lock.**

## Find the model code



The model code is printed on a label on the product. You need the code to find the complete and most recent information, service and support for your product model.



### NOTE!

This product and label text are examples. Your product and text may have a different look and content.

## Before first use

### Run an empty washing cycle

Make sure that the machine is installed properly.

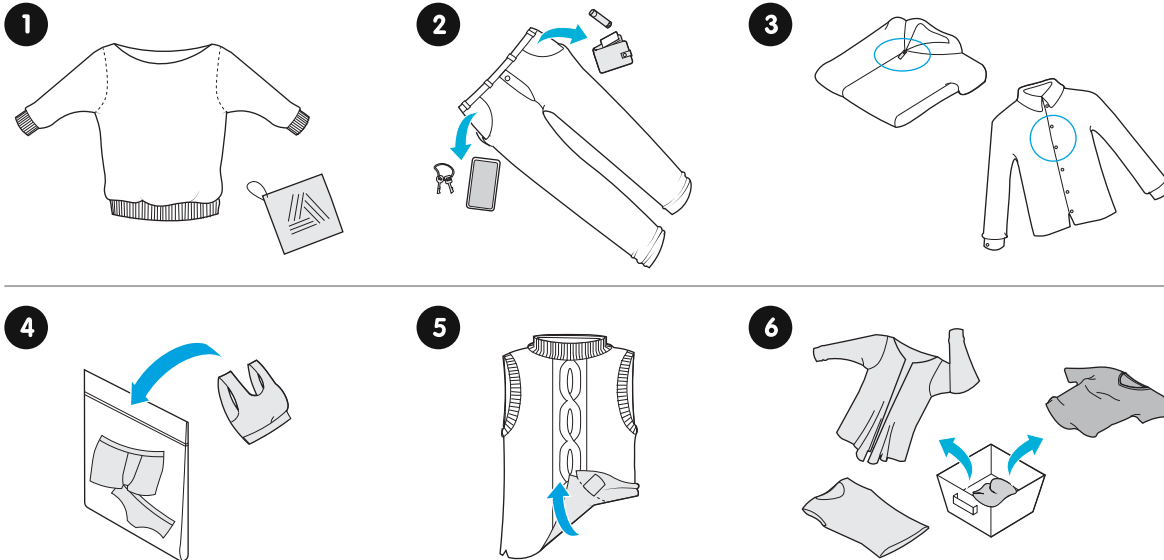
1. Plug in the power cord.
2. Open the water tap.
3. Start a washing programme.

**NOTE! Do not put any clothes in the machine.**

The machine is ready for use when the programme has completed.

## WASHING

### Before each wash



1. Check the clothing care labels.
2. Remove any items from the pockets.  
**CAUTION! Sharp and rigid items, such as coins, brooches, nails, screws or stones etc., may cause serious damage to this washing machine.**
3. Tie any belts and fasten any zips or buttons.
4. Place small items inside a washing bag.



**You can also use a pillow case.**

5. Turn easy-pilling and long-pile fabric inside out
6. Separate clothes according to fabric type.

### Start washing



#### CAUTION!

Before washing, make sure the machine is correctly installed.



#### NOTE!

Save energy and water.

- Washing full loads will save energy and water. Maximum capacity depends on the programme.
- In general, a programme that performs at lower temperature and longer duration consumes less energy.

1. Press **⏻** to turn on the power.
2. Add clothes.
3. Turn the programme selector to select a programme.
4. Select settings and options if needed.

5. Add detergent and softener in the detergent dispenser if needed.  
**NOTE! Make sure to use a detergent suitable for the the laundry to be washed and the selected washing programme and temperature.**
6. Close the drum door.
7. Close the machine door.
8. Press ►|| to start the programme.

When the washing is completed an acoustic signal sounds.



#### WARNING!

- Never refill with water by hand during washing.
- After the program is finished, wait for two minutes before opening the door.
- Check whether the water inside the drum has been drained before opening the door. Do not open the door if there is any water visible.
- Take care to avoid scalding when the hot water is being emptied from the machine.

## Options, settings and functions



#### Child lock

Prevents accidental use of the machine. See section "Use the child lock", [page 12](#).



#### Delay

Delays the start of the washing programme by a specified amount of time. Maximum delay time is 9 hours.



#### Door lock

Prevents the door from being opened during a wash. Activates automatically.



#### Extra rinse, Pre-wash

- Extra rinse: Gives the laundry an extra rinse.
- Pre-wash: Gives the laundry an extra wash before the main wash. This helps to bring dirt to the surface of the clothes.



#### Spin speed, Mute / unmute

- Spin speed: Adjusts the spin speed.
- Mute / unmute: Mutes and unmutes the acoustic signal.



#### Temperature

Adjusts the temperature.

### Change the spin speed

1. Press  to cycle through the available speeds: (600, 800, 1000, 1200)



#### NOTE!

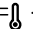
When the spin speed indication lights are off the spin speed is 0.





#### NOTE!

Higher spin speeds create more noise and lower residual moisture content.

### Change the temperature

1. Turn the programme selector to select a programme.
2. Press  to cycle through the available temperatures: (20 °C, 40 °C, 60 °C, 90 °C)

## Use the Delay option

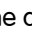


1. Turn the programme selector to select a programme.
2. Change settings and select options if needed.
3. Press  to cycle through the available delay times.
4. Press .
 

The washing cycle will start after the delay time has passed.



You can cancel the delay timer by pressing  to cycle through the available delay times until the indicator lights 9H, 6H, 3H are off.

## Use the Extra rinse option

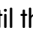


1. Turn the programme selector to select a programme.
2. Press  to cycle through the available options until the  indicator light comes on.
3. Press .

## Use the Pre-wash option



### NOTE!

You need to add pre-wash detergent when you select this option. See section "Detergent dispenser", [page 11](#).



1. Turn the programme selector to select a programme.
2. Press  to cycle through the available options until the  indicator light comes on.
3. Press .

## Mute and unmute the acoustic signal



### NOTE!

The acoustic signal will not sound when it is muted.

1. Press and hold  for 3 seconds to mute the acoustic signal.
2. Press and hold  for 3 seconds to unmute the acoustic signal.

The setting will be remembered until the next reset.

## Washing programmes

### 20 °C

20 °C as default temperature. Cold water can also be selected.

Default temperature	20 °C
Default time	1:01
Default speed	1000 rpm
Maximum load, washing	3.0 kg
Pre-wash detergent	-
Main wash detergent	Essential



Softener	Optional
Options	<ul style="list-style-type: none"> <li>• Delay</li> <li>• Extra rinse</li> </ul>

### Baby care

Keeps the washing temperature above 60 °C for more than 30 minutes to remove harmful bacteria.

Default temperature	60 °C
Default time	1:42
Default speed	800 rpm
Maximum load, washing	6.0 kg
Pre-wash detergent	Optional
Main wash detergent	Essential
Softener	Optional
Options	<ul style="list-style-type: none"> <li>• Delay</li> <li>• Extra rinse</li> <li>• Pre-wash</li> </ul>

### Cotton

For hard-wearing, heat-resistant textiles made of cotton or linen.

Default temperature	40 °C
Default time	2:40
Default speed	1200 rpm
Maximum load, washing	6.0 kg
Pre-wash detergent	Optional
Main wash detergent	Essential
Softener	Optional
Options	<ul style="list-style-type: none"> <li>• Delay</li> <li>• Extra rinse</li> <li>• Pre-wash</li> </ul>

### Delicate

For delicate, washable textiles that are made of silk, satin, synthetic fibres, or blended fabrics.

Default temperature	20 °C
Default time	0:49
Default speed	600 rpm
Maximum load, washing	2.0 kg
Pre-wash detergent	-

Main wash detergent	Essential
Softener	Optional
Options	<ul style="list-style-type: none"> <li>• Delay</li> <li>• Extra rinse</li> </ul>

## Drum clean

Cleans the drum of the machine at 90 °C. Not to be used for laundry.



**To increase the cleaning effect, you can use a chlorine bleaching agent intended for washing machines. Follow the instructions included with the bleaching agent.**

Default temperature	90 °C
Default time	1:18
Default speed	-
Maximum load, washing	-
Pre-wash detergent	-
Main wash detergent	-
Softener	-
Options	<ul style="list-style-type: none"> <li>• Delay</li> </ul>

## ECO 40-60

Recommended for normally soiled cotton laundry.



### NOTE!

This programme is able to wash laundry declared to be washable at 40 °C or 60 °C in one go in the same cycle.

Default temperature	40 °C
Default time	3:16
Default speed	1200 rpm
Maximum load, washing	6.0 kg
Pre-wash detergent	-
Main wash detergent	Essential
Softener	Optional
Options	<ul style="list-style-type: none"> <li>• Delay</li> </ul>

## Intensive

The washing time is increased for better washing effect.

Default temperature	40 °C
Default time	3:48

Default speed	800 rpm
Maximum load, washing	6.07.0 kg
Pre-wash detergent	-
Main wash detergent	Essential
Softener	Optional
Options	<ul style="list-style-type: none"> <li>• Delay</li> </ul>

## Jeans

Extra efficient for jeans.

Default temperature	60 °C
Default time	1:45
Default speed	800 rpm
Maximum load, washing	6.0 kg
Pre-wash detergent	Optional
Main wash detergent	Essential
Softener	Optional
Options	<ul style="list-style-type: none"> <li>• Delay</li> <li>• Extra rinse</li> <li>• Pre-wash</li> </ul>

## Mix

Mixed load consisting of textiles made of cotton and synthetics.

Default temperature	40 °C
Default time	1:37
Default speed	800 rpm
Maximum load, washing	6.0 kg
Pre-wash detergent	Optional
Main wash detergent	Essential
Softener	Optional
Options	<ul style="list-style-type: none"> <li>• Delay</li> <li>• Extra rinse</li> <li>• Pre-wash</li> </ul>

## Quick 15 min

Extra-short programme. Suitable for small amounts of lightly soiled laundry.

Default temperature	Cold
Default time	0:15

Default speed	800 rpm
Maximum load, washing	2.0 kg
Pre-wash detergent	-
Main wash detergent	Essential
Softener	Optional
Options	<ul style="list-style-type: none"> <li>• Delay</li> </ul>

### Rapid 45 min

Energy saving programme that is suitable for lightly soiled washing and small amounts of laundry.

Default temperature	40 °C
Default time	0:45
Default speed	800 rpm
Maximum load, washing	2.0 kg
Pre-wash detergent	Optional
Main wash detergent	Essential
Softener	Optional
Options	<ul style="list-style-type: none"> <li>• Delay</li> <li>• Extra rinse</li> <li>• Pre-wash</li> </ul>

### Rinse & Spin

Extra rinsing and spinning.

Default temperature	-
Default time	0:20
Default speed	800 rpm
Maximum load, washing	6.0 kg
Pre-wash detergent	-
Main wash detergent	-
Softener	Optional
Options	<ul style="list-style-type: none"> <li>• Delay</li> <li>• Extra rinse</li> </ul>

### Spin only

Extra spinning with selectable spin speed.

Default temperature	-
Default time	0:12
Default speed	800 rpm

Maximum load, washing	6.0 kg
Pre-wash detergent	-
Main wash detergent	-
Softener	-
Options	<ul style="list-style-type: none"> <li>• Delay</li> </ul>

## Sportswear

For washing active wear.

Default temperature	40 °C
Default time	1:31
Default speed	800 rpm
Maximum load, washing	3.03.5 kg
Pre-wash detergent	Optional
Main wash detergent	Essential
Softener	Optional
Options	<ul style="list-style-type: none"> <li>• Delay</li> <li>• Extra rinse</li> <li>• Pre-wash</li> </ul>

## Synthetic

For washing synthetic items, such as shirts, coats and blended fabrics. When knitted garments are washed, the amount of detergent should be reduced to avoid excessive foaming.

Default temperature	40 °C
Default time	2:20
Default speed	1200 rpm
Maximum load, washing	3.0 kg
Pre-wash detergent	Optional
Main wash detergent	Essential
Softener	Optional
Options	<ul style="list-style-type: none"> <li>• Delay</li> <li>• Extra rinse</li> <li>• Pre-wash</li> </ul>

## Wool

Hand or machine washable wool or wool-rich textiles. Gentle washing programme designed to prevent shrinkage. Includes longer periods without drum rotation.

Default temperature	40 °C
Default time	1:07

Default speed	600 rpm
Maximum load, washing	2.0 kg
Pre-wash detergent	-
Main wash detergent	Essential
Softener	Optional
Options	<ul style="list-style-type: none"><li>• Delay</li><li>• Extra rinse</li></ul>

## CLEANING

Correct maintenance of your product can extend its working life.

When needed, use a limescale remover intended for washing machines. Follow the instructions included with the remover.



### WARNING!

Unplug the machine and close the tap before starting maintenance.



### CAUTION!

Do not use alcohol, solvents or chemical products to clean the product.

## Clean the exterior

- When needed, clean the surface with diluted non-abrasive neutral detergents.
- If there is any water overflow, use a cloth to wipe it off immediately.

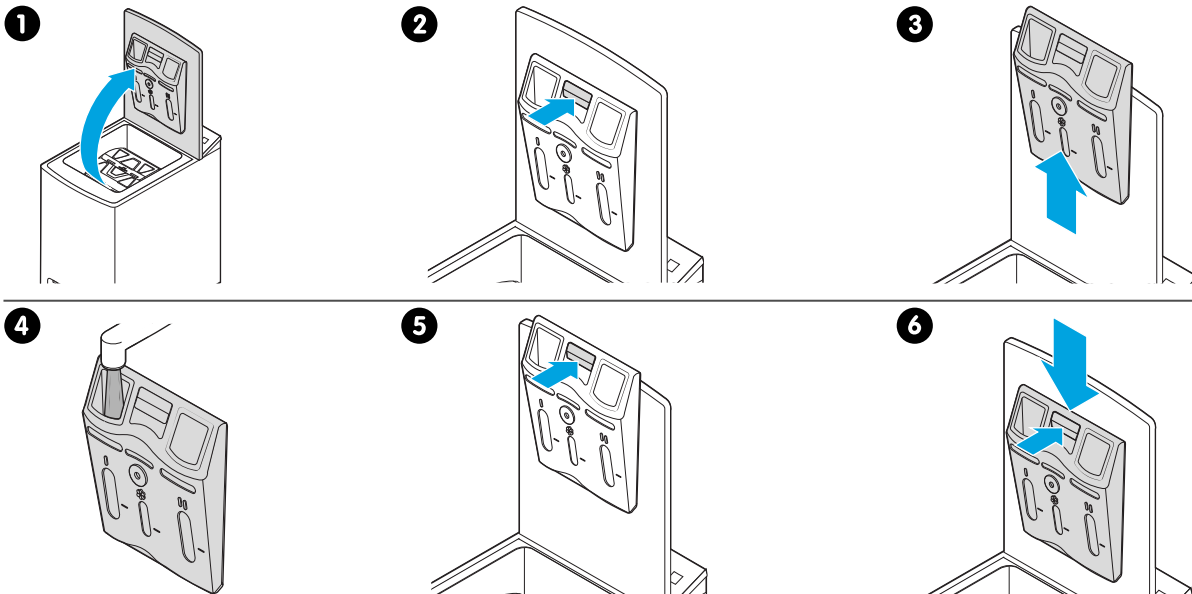


### CAUTION!

- Do not use sharp cleaning tools.
- Do not use formic acid or solvents, such as alcohol and chemical products, etc.

## Clean the detergent dispenser

Clean the detergent dispenser every 3 months.



1. Open the door.
2. Push down the button.
3. Lift the dispenser.
4. Clean the dispenser with water.
5. Position the dispenser and push down the button.
6. Push on top of the dispenser until it is back in position.  
The dispenser makes a click when it is correctly installed.

## Clean the drum

- Immediately remove any rust that is left inside the drum by metal parts.

**CAUTION!**

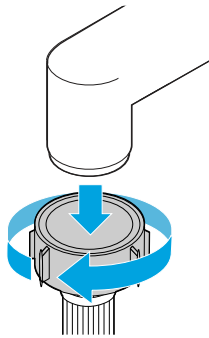
- Use a chlorine free detergent.
- Do not use steel wool.

- When needed, run the programme intended for cleaning the drum. See section "Drum clean", [page 18](#) .

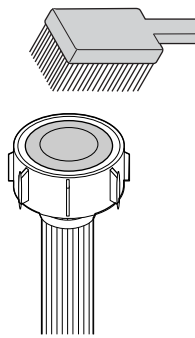
## Clean the tap inlet filter

Clean the detergent dispenser every 3 months. The tap inlet filters must be cleaned if the water supply becomes restricted.

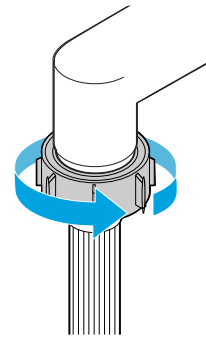
1



2



3

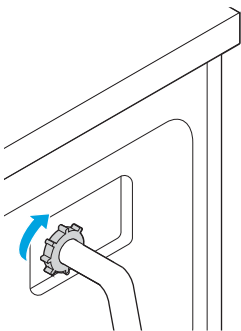


1. Turn off the tap and remove the water supply hose from the tap.
2. Clean the filter.
3. Refit the water supply hose to the tap and turn on the tap.

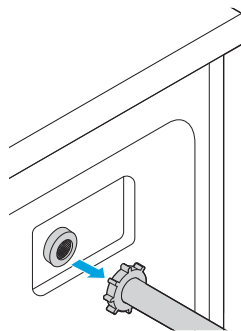
## Clean the machine inlet filter

Clean the detergent dispenser every 3 months. The machine inlet filter must be cleaned if the water supply becomes restricted.

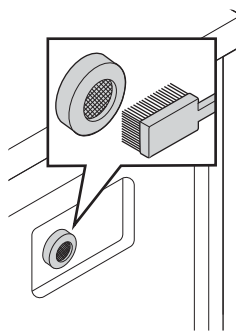
1



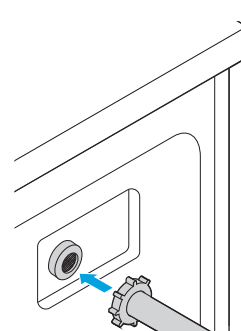
2



3



4





1. Turn off the tap and unscrew the inlet pipe from the rear of the machine.
2. Remove the inlet pipe.
3. Clean the filter with a brush.
4. Refit the inlet pipe and turn on the tap.



**The filter can be removed and washed separately.**

## Clean the drain pump filter

The drain pump filter is designed to trap fibres and small foreign objects. Clean the filter periodically to ensure the normal operation of the machine.



### WARNING!

Unplug the machine before you clean the filter to avoid electrical shock.



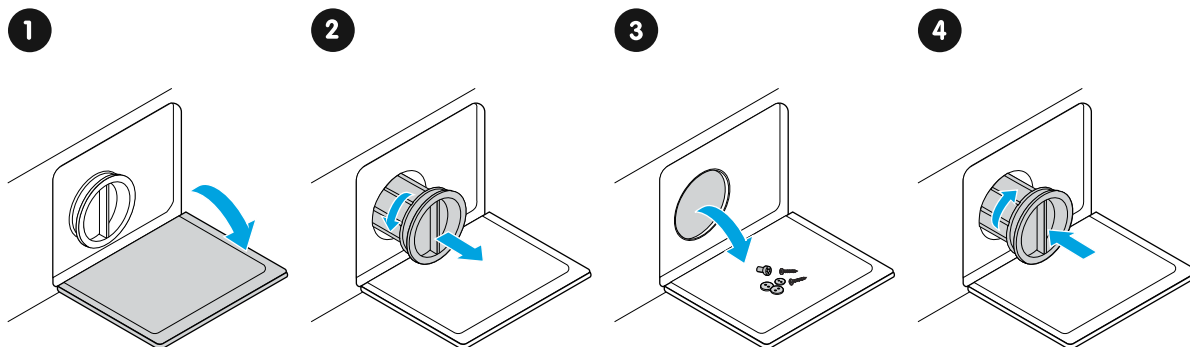
### WARNING!

- Be careful. The water may be hot!
- Allow detergent solution to cool down before you clean the filter.



### CAUTION!

Never remove the pump cover during a wash cycle. Always wait until the machine has finished the cycle, and is empty.



1. Open the filter cover.
2. Rotate the filter anticlockwise and pull it out.
3. Remove any foreign objects.
4. Refit the filter and close the cover.



### CAUTION!

Make sure the valve cap is reinstalled properly; fittings must be correctly aligned otherwise water may leak.

# TROUBLESHOOTING

## Troubleshooting



### WARNING!

- Only authorised technicians may carry out repairs.
- If you experience problems with the product, please see if the user instructions and troubleshooting information in the user manual can help you find a solution. If the problem persists:
  - turn off the product,
  - unplug the product from its power supply, and
  - contact the support.

Problem	Cause	Remedy
The machine does not start	The door is not properly closed	Check if any laundry is stuck Close the door and try to start again
	Machine is not connected to the power supply	Connect the power cord to the power outlet
	No programme has been selected	Select a programme
	You forgot to press ►	Press ►
	Machine is not turned on	Turn on the machine
Indicator does not come on	Power supply is not working	Check if the power supply works. If it is not in working condition contact an authorised electrician
	Main plug is not inserted	Connect main plug to power outlet
	No programme is selected	Select a programme
	Machine is not turned on	Turn on the machine
The door cannot be opened	The machine safety interlock is active	Disconnect the power and restart the machine
Water is leaking	The connection between the machine and the inlet pipe or drain hose is not tight	Check and tighten the connections Clean the drain hose
Detergent residue in the dispenser	Detergent is damp or clumped	Clean and wipe the detergent dispenser. See section "Clean the detergent dispenser", <a href="#">page 23</a>
Indicator or display does not come on	Electrical connection problem.	Check that the power is turned on and the plug is inserted correctly
Abnormal noise	Transport bolts have not been removed	Remove the transport bolts. See section "Remove the transport bolts", <a href="#">page 30</a>
	The machine is not levelled	Level the machine. See section "Level the machine", <a href="#">page 30</a>

**Error codes**

Codes	Cause	Remedy
<div style="display: flex; justify-content: space-between;"> <div style="text-align: center;"> <span style="border: 1px solid red; padding: 2px;">90</span>  <span style="border: 1px solid red; padding: 2px;">60</span>  <span style="border: 1px solid red; padding: 2px;">40</span>  <span style="background-color: red; padding: 2px;">20</span> </div> <div style="text-align: center;"> <span style="border: 1px solid red; padding: 2px;">1200</span>  <span style="border: 1px solid red; padding: 2px;">1000</span>  <span style="border: 1px solid red; padding: 2px;">800</span>  <span style="border: 1px solid red; padding: 2px;">600</span> </div> </div>	Water injection problem while washing	Check if the water pressure is too low Straighten the water pipe Check if the inlet valve filter is blocked
<div style="display: flex; justify-content: space-between;"> <div style="text-align: center;"> <span style="border: 1px solid red; padding: 2px;">90</span>  <span style="border: 1px solid red; padding: 2px;">60</span>  <span style="border: 1px solid red; padding: 2px;">40</span>  <span style="background-color: red; padding: 2px;">20</span> </div> <div style="text-align: center;"> <span style="border: 1px solid red; padding: 2px;">1200</span>  <span style="border: 1px solid red; padding: 2px;">1000</span>  <span style="background-color: red; padding: 2px;">800</span>  <span style="border: 1px solid red; padding: 2px;">600</span> </div> </div>	Water overflowing	Restart the machine
<div style="display: flex; justify-content: space-between;"> <div style="text-align: center;"> <span style="border: 1px solid red; padding: 2px;">90</span>  <span style="border: 1px solid red; padding: 2px;">60</span>  <span style="background-color: red; padding: 2px;">40</span>  <span style="border: 1px solid red; padding: 2px;">20</span> </div> <div style="text-align: center;"> <span style="border: 1px solid red; padding: 2px;">1200</span>  <span style="border: 1px solid red; padding: 2px;">1000</span>  <span style="border: 1px solid red; padding: 2px;">800</span>  <span style="background-color: red; padding: 2px;">600</span> </div> </div>	Water takes too long to drain	Check if the drain hose is blocked
<div style="display: flex; justify-content: space-between;"> <div style="text-align: center;"> <span style="border: 1px solid red; padding: 2px;">90</span>  <span style="border: 1px solid red; padding: 2px;">60</span>  <span style="background-color: red; padding: 2px;">40</span>  <span style="background-color: red; padding: 2px;">20</span> </div> <div style="text-align: center;"> <span style="border: 1px solid red; padding: 2px;">1200</span>  <span style="border: 1px solid red; padding: 2px;">1000</span>  <span style="border: 1px solid red; padding: 2px;">800</span>  <span style="border: 1px solid red; padding: 2px;">600</span> </div> </div>	The door does not close properly	Check if any clothing is stuck Close the door and try to start again
	Other problem	Please try again, then contact the support if the problem persists



**NOTE!**

If your machine needs repair, consider repairing it. Repairing instead of buying new is good for the environment.

The spare parts listed in the EU regulation 2019/2023 will be available to professional repairers at least 10 years after this product was placed on the market.

## INSTALLATION

Follow the instructions in this section to install your machine.



### WARNING!

- If the power cord is damaged, it must be replaced by the manufacturer, the manufacturer's service agent or similarly qualified persons in order to avoid a hazard.
- Use the new hose sets supplied with the machine. Do not reuse old hose sets.
- To ensure your safety, connect the plug to an earthed socket. Check carefully to ensure that your socket is properly and reliably earthed.
- Make sure that the machine is connected to water and electrical supplies by a suitably qualified person in accordance with the manufacturer's instructions and local safety regulations.



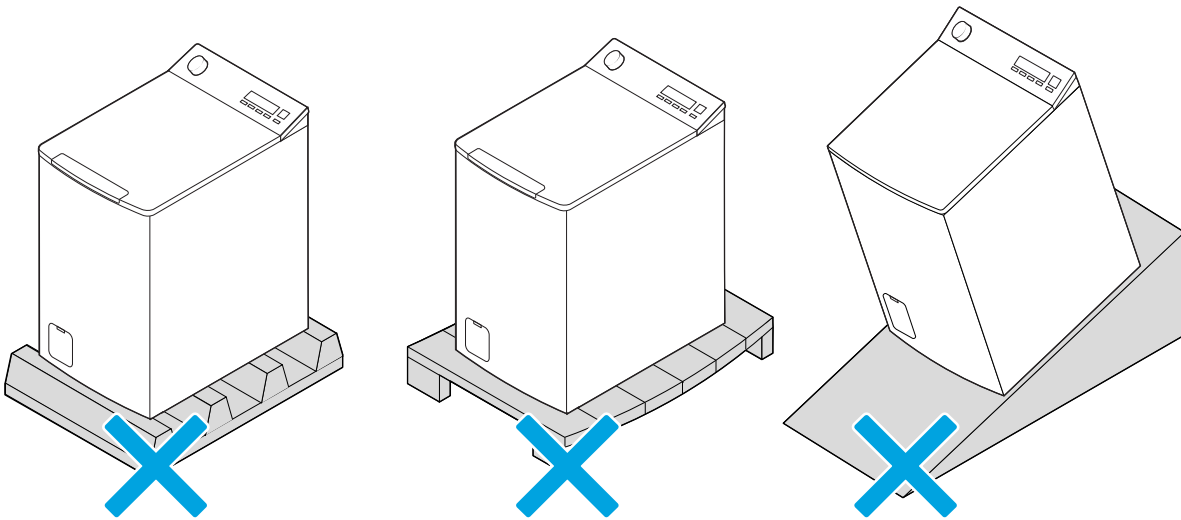
### CAUTION!

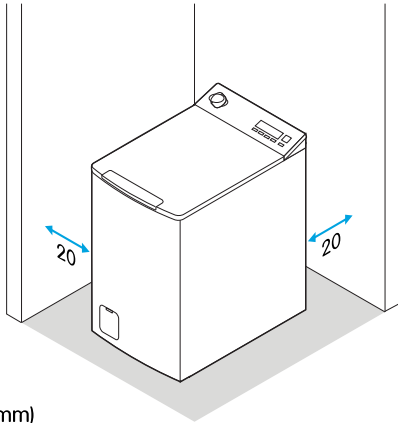
The inlet hose must be connected to the cold water supply.

## Installation area

Keep the following in mind when choosing a location to install the machine:

- Avoid direct sunlight.
- Sufficient ventilation.
- Room temperature above 0 °C.
- Keep away from heat sources such as coal or gas appliances.
- The surface should be rigid, dry, and level. Stability is important to prevent the machine from wandering.





(mm)

**WARNING!**

- Make sure that the machine does not stand on the power cord.
- The plug must be accessible after installation.

**WARNING!**

The machine must not be used in very wet rooms or rooms where there is a risk of explosive or caustic gases.

**CAUTION!**

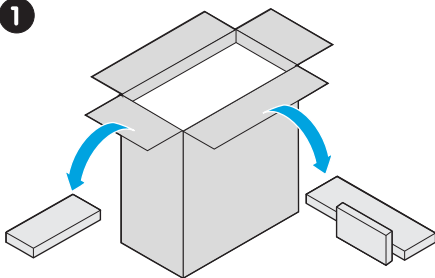
- The machine is for indoor use only.
- The machine is not intended for integration into a cabinet.
- The openings must not be obstructed by a carpet.

## Unpack the machine

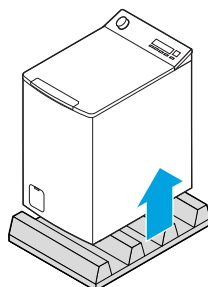
**WARNING!**

Remove all packaging and transport bolts before using the machine. Otherwise, serious damage may result.

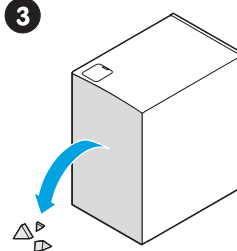
1



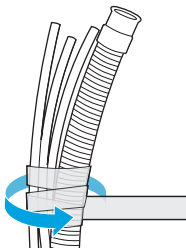
2



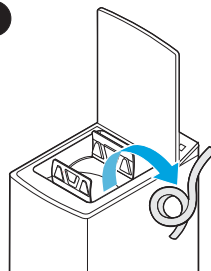
3



4



5



1. Remove the cardboard box and styrofoam packaging.
2. Lift the product and remove the base packaging.
3. Lay the product down on its side and remove the small triangular pieces of foam from the bottom.

4. Remove the tape holding the power cord and drain hose.
5. Remove the accessories from the drum.

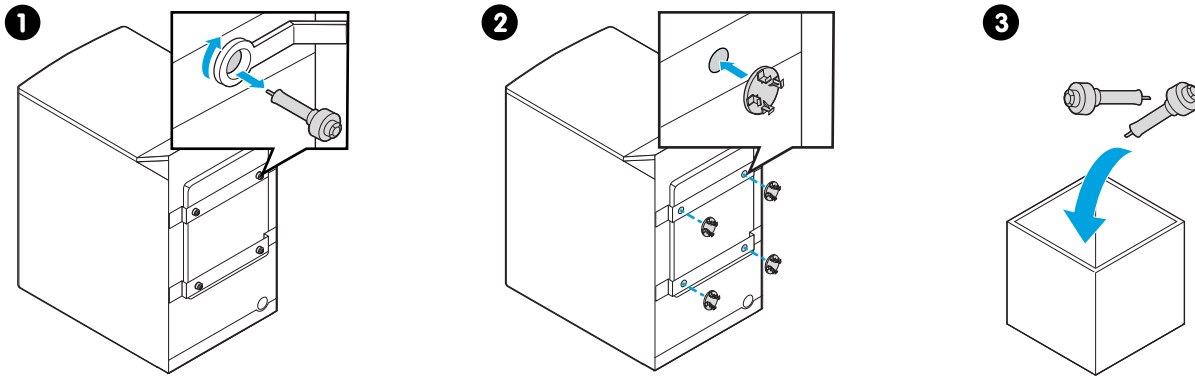
**WARNING!**

Keep all packaging material well away from children. There is a risk of suffocation!

## Remove the transport bolts

**WARNING!**

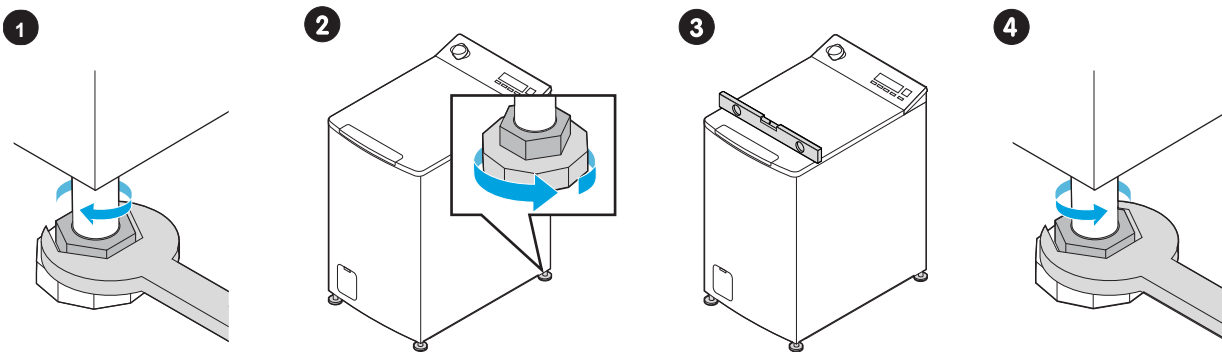
You must remove the transport bolts from the rear before using the machine.



1. Loosen the bolts with a spanner and remove them.
2. Plug the holes with the transport hole plugs.
3. Keep the bolts in a safe place.

**NOTE! You will need the transport bolts again if you move the machine.**

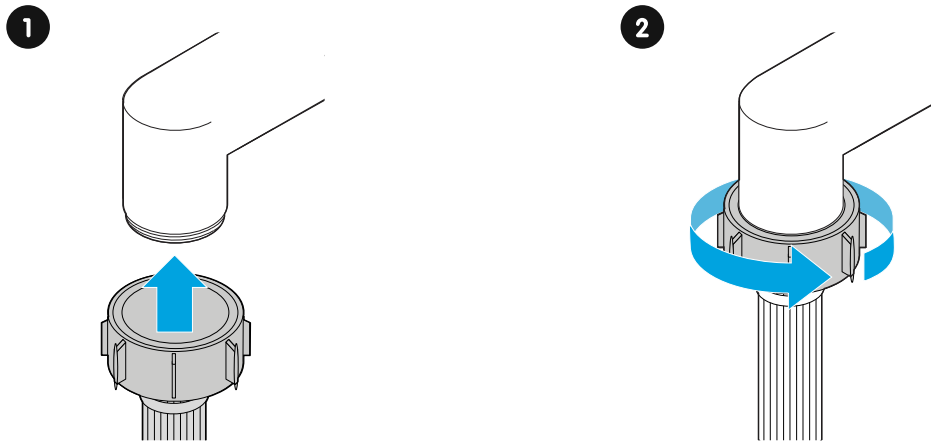
## Level the machine



1. Loosen the nuts and screw in the feet fully.  
Check if there are any feet not touching the floor.
2. If any foot is not touching the floor: screw out the foot until it makes contact with the floor.
3. Use a spirit level to check if the dryer is perfectly level and adjust the feet again if needed.
4. Tighten the nuts with a spanner and make sure that the machine is steady.

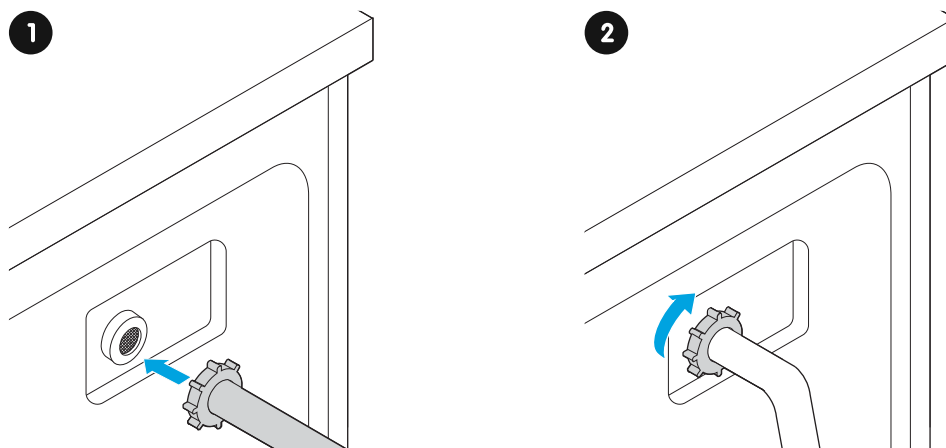
**WARNING! The lock nuts on all four feet must be screwed tightly against the housing.**

## Connect the water supply hose to a tap



1. Lift up the hose to the tap.
2. Screw the connector onto the threads of the tap.

## Connect the water supply hose to the machine

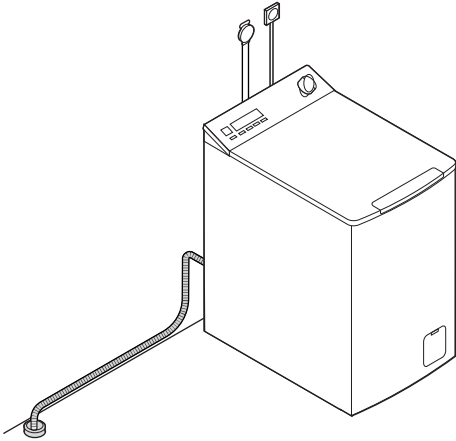


1. Lift the supply hose to the inlet valve at the rear of the machine.
2. Screw the coupling onto the threads of the tap until tight.

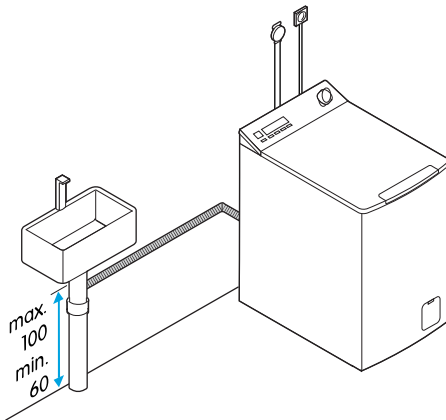
## Connect to an external drain

**CAUTION!**

- Do not kink or stretch the drain hose.
- Position the drain hose properly, as it could lead to a water leak if it is damaged.
- Do not immerse the end of the drain hose into the waste water. Immersing the hose could hamper the drainage and cause waste water to go back into the machine again.

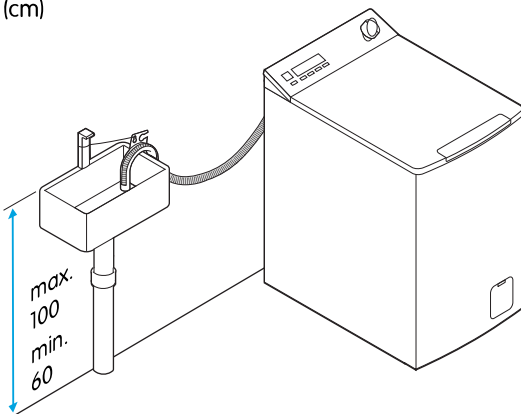
**Position the drain hose into a floor drain****Connect the drain hose to a sink drain pipe**

(cm)

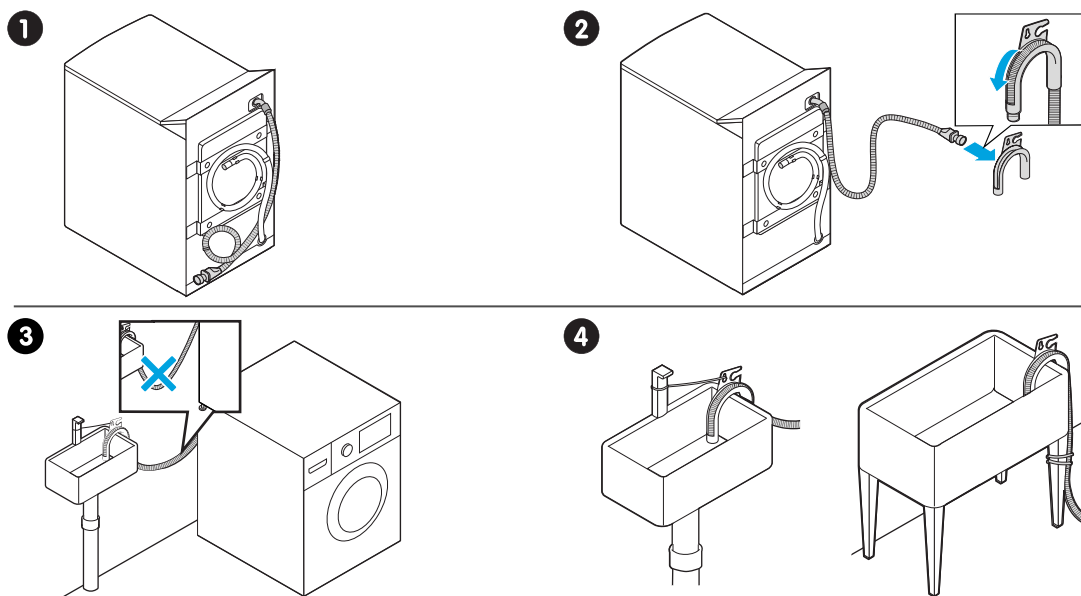
**Position the drain hose into a sink**

Use the drain hose holder to keep the drain hose bent downward into the sink without kinking.

(cm)







1. Remove the drain hose carefully from the clasps.
2. Insert the drain hose into the hose holder.
3. Hang the hose holder over the edge of the sink.
4. Secure the drain hose to the sink with a cord, clip or cable tie.

## APPENDIX

### Technical specifications


**NOTE!**

The value of rated capacity refers to the weight of dry laundry.

Model code	See section "Find the model code", <a href="#">page 12</a>
Width	400 mm
Depth	610 mm
Height	875 mm
Weight	56 kg
Rated capacity	6 kg
Maximum spin speed	1200 rpm
Power supply	220-240 V, 50 Hz
Maximum current	10 A
Rated power	2100 W
Standard water pressure	0.1 MPa ~ 1 MPa

#### Energy efficiency

You can find information about the energy efficiency of this product in EPREL, the European product registry for energy labelling. Go to the EPREL website and use the model identifier to find the information. The model identifier can be found on the energy label accompanying the product.

EPREL website: <https://eprel.ec.europa.eu/>



#### Consumption values

Actual values for a washing cycle may differ from the values presented here. The values given for programmes other than the ECO 40-60 programme are indicative only.

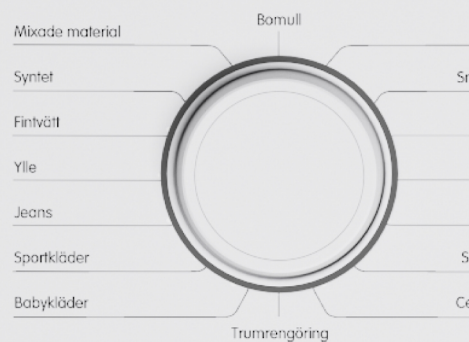
Programme	Washing load at which the values were achieved (rated capacity of the specific programme unless stated otherwise) (kg)	Programme duration (hours:minutes)	Energy consumption (kWh per cycle)	Water consumption (litres per cycle)	Max. temperature reached for min. 5 minutes inside the laundry during the washing cycle (°C)	Remaining moisture content and the spin speed (rpm) at which the value was achieved
20 °C	3.0	1:01	0.207	38	20	65 % / 1000
Cotton (60 °C)	6.0	2:45	1.315	58	60	60 % / 1200
Intensive	6.0	3:48	1.029	58	40	70 % / 800
ECO 40-60	6.0 (Rated capacity)	3:18	0.868	49.5	34	62 % / 1200
	3.0 (Half of the rated capacity)	2:36	0.540	43.5	31	62 % / 1200
	1.5 (Quarter of the rated capacity)	2:36	0.374	36.5	23	62 % / 1200
Mix	6.0	1:37	0.724	58	40	70 % / 800
Quick 15 min	2.0	0:15	0.035	32	Cold	70 % / 800

## EU directives and standards

This product fulfils the applicable EU directives and regulations and carries the CE mark. If not included with the product, a copy of the EU Declaration of Conformity is available on request.

- The performance of the product has been tested in compliance with standard EN 60456 for washing machines.
- Concerning EU regulation 2019/2023, energy test program: ECO 40-60; other settings: default.

# ELVITA



## **ELON** GROUP

Elvita products are distributed and marketed by Elon Group AB.  
Elon Group AB Bäcklundavägen 1 | 702 03 Örebro Sweden  
ELON GROUP | +46(0)10-220 40 00 | ELONGROUP.SE  
Support and service: ELVITA.SE