

ELVITA



User manual
Washer dryer
CTC4860V

Thank you

for your trust and the purchase of our product. This user manual is supplied to help you use this product. The instructions should allow you to learn about your new product as quickly as possible.

Make sure you have received an undamaged product. If you do find transport damage, please contact the seller from which you purchased the product, or the regional warehouse from which it was supplied.

ELVITA

Language: en-GB, Publication date: 2021-04-12

This document and its content, including written material and images, are the property of Elon Group AB. You may not copy, reproduce, modify, republish or distribute this document or any of its content without express written permission from Elon Group AB. © 2020, Elon Group AB. All rights reserved.



Warranty

Consumer warranty regarding quality of product applies.

ELVITA

Contents

SAFETY	6
Admonitions	6
Intended use	6
Safety for children and people with disabilities.....	6
General safety.....	7
Safety during installation	7
Safety during operation	8
Safety during maintenance	9
Disposal.....	10
QUICK START	11
GETTING STARTED	12
Installation.....	12
Getting to know your washing machine.....	12
Controls.....	12
Symbols on the display	12
Detergent dispenser.....	12
Accessories.....	13
Use the child lock	13
Find the model code.....	13
Before first use	14
Calibrate the machine.....	14
Run an empty washing cycle.....	14
WASHING AND DRYING	15
Before each wash	15
Start washing	15
Options, settings and functions	16
Change the Dryness level	16
Change the spin speed.....	16
Change the temperature	17
Use the Delay option.....	17
Use the My cycle function	17
Reload - add laundry during a wash	17
Mute and unmute the acoustic signal	17
Washing programmes	17
1h Wash&Dry	17
20 °C	18
Cotton.....	18
Dry only	18
ECO 40-60.....	19
Intensive.....	19
Jeans.....	19
Mix	20

Quick 15 min	20
Rinse & Spin	20
Spin only	21
Sportswear	21
Synthetic	21
Wash and Dry	22
Wool	22
CLEANING	23
Clean the exterior	23
Clean the detergent dispenser	23
Clean the drum	23
Clean the door seal and glass	24
Clean the tap inlet filter	24
Clean the machine inlet filter	25
Clean the drain pump filter	25
TROUBLESHOOTING	27
Troubleshooting	27
INSTALLATION	29
Installation area	29
Unpack the machine	30
Remove the transport bolts	31
Level the machine	32
Connect the water supply hose to a tap	32
Connect the water supply hose to the machine	33
Connect to an external drain	33
Position the drain hose into a floor drain	33
Connect the drain hose to a sink drain pipe	34
Position the drain hose into a sink	34
APPENDIX	36
Technical specifications	36
Consumption values	36
EU directives and standards	37

SAFETY

Carefully read the instructions before you install and use the product. Save the instructions and keep them near the product for future reference. All kinds of warranties shall be invalid if these instructions are not followed.

Admonitions



WARNING!

Used when there is a risk for personal injury.



CAUTION!

Used when there is a risk for damage to the product.



NOTE!

General information that you should be aware of.



Helpful tips that you may find useful.

Intended use

This product is only intended for:

- Indoor use in a household or a household environment such as:
 - staff kitchen areas in shops, offices and other working environments;
 - family houses;
 - by clients in hotels, motels and other residential type environments;
 - bed and breakfast type environments.
- The washing of machine-washable clothes and textiles in a detergent solution.
- Washing using commercially available low foam detergents and care products which are suitable for use in a front-loaded washing machine or washer-dryer.

This product is not intended for integration into a cabinet.

Safety for children and people with disabilities



WARNING!

Only let the following groups use the product if they are supervised or if instructions are provided to them about how to use the product in a safe way. They must understand the hazards involved.

- Children. (Children younger than 8 years old must be continuously supervised.)
- People with reduced physical, sensory or mental capabilities.
- People with lack of experience and knowledge.



WARNING!

- Do not let children play with the product.
- Do not let children clean the product without supervision.



WARNING!

There is a risk that animals and children may climb into the product. Check inside before every operation.



WARNING!

The glass door may get very hot during operation. Keep children and pets well away from the product during operation.

General safety

**WARNING!**

- Do not wash or dry articles that have been cleaned in, washed in, soaked in, or dabbed with combustible or explosive substances, such as wax, oil, paint, gasoline, degreasers, dry cleaning solvents, kerosene, etc. This may result in fire or explosion.
- Rinse any such items of laundry thoroughly by hand before washing.

**WARNING!**

Risk of electric shock!

- If the supply cord is damaged, it must be replaced by the manufacturer, its service agent or similarly qualified persons in order to avoid a hazard.
- Before any cleaning or performing any maintenance of the product, unplug the product from the mains.
- Do not use a socket with a rated current less than that of the product.
- Never pull out the power plug from the socket with wet hands.

**CAUTION!**

- Do not climb up or sit on top of the product.
- Do not lean against the door of the product.
- Do not close the door with excessive force. If you find it difficult to close the door, please check that it is not obstructed by laundry.
- Do not wash rugs in the product.

**CAUTION!**

When moving the product:

- The transport bolts must be reinstalled in the machine by a suitably qualified person.
- Any water in the product must be drained out of the machine.
- Handle the product carefully. Never hold protruding parts of the machine while lifting.
- Do not use the door of the product to lift it during transport.
- This product is heavy. Transport with care.

Safety during installation

**WARNING!**

Before installing the product, check for any externally visible damage. Do not install or use a damaged product.

**WARNING!**

Do not install the machine

- in a bathroom, a very wet room or a room with high humidity;
- in a room with explosive gases or caustic gases; or
- behind a lockable door, a sliding door or a door with a hinge on the opposite side from the product.

**WARNING!**

Adequate ventilation has to be provided to avoid the back flow of gases into the room from appliances burning other fuels, including open fires.

**WARNING!**

- Remove all packaging and transport bolts before using the product. Otherwise, serious damage may result.
- Keep all packaging material well away from children. There is a risk of suffocation!

**WARNING!**

- Make sure that the product is connected to water and electrical supplies by a suitably qualified person in accordance with the manufacturer's instructions and local safety regulations.
- If the power cord is damaged, it must be replaced by the manufacturer, the manufacturer's service agent or similarly qualified persons in order to avoid a hazard.
- Make sure to connect the power plug to an earthed three-pole socket. Check carefully to ensure that your socket is properly and reliably earthed.
- Make sure that the power plug of the machine is accessible after installation and that the machine does not stand on the power cord.
- When levelling the machine, the lock nuts on all four feet must be screwed tightly against the housing.
- If applicable, make sure the ventilation openings in the base of the product not are obstructed by, for example, a carpet.
- Use the new hose sets supplied with the product. Do not reuse old hose sets.

**CAUTION!**

- The inlet hose must be connected to the cold water supply.
- Do not kink, crush, modify or sever the water inlet hose.
- Do not kink or stretch the drain hose.
- Position the drain hose properly, as it could lead to a water leak if it is damaged.
- If the drain hose is too long, do not force it into the machine as it will cause unusual noises.

**CAUTION!**

- Before the product is used the first time, it must be calibrated.
- Before washing laundry items the first time, a washing programme must be run to completion without any items in the drum.

Safety during operation

**WARNING!**

Before using the product, make sure it is correctly installed.

**WARNING!**

- Flammable, explosive or toxic solvents are forbidden. Gasoline and alcohol etc. must not be used as detergents. Only use detergents that are suitable for machine washing.

**WARNING!**

- Always unplug the product and turn off the water supply after use.

**WARNING!**

- Take care to avoid scalding when the hot water is being emptied from the product.
- If the product has a function that allows you to pause a washing programme and add more clothes, do not use this function when the water level is above the rim of the inner drum or the temperature setting is high.
- When the drum is still rotating and there is a large amount of hot water in the drum, it is unsafe to open the door and the door cannot be opened by force.
- Never refill with water by hand during washing.

**WARNING!**

Risk of explosion and fire!

- Remove all items from the pockets, especially lighters, matches, and similar objects, before drying clothes.
- If it cannot be avoided to dry items that have been soiled with substances such as cooking oil, vegetable oil, hair care products, acetone, alcohol, petrol, kerosene, spot removers, turpentine, waxes and wax removers, such items must be washed in hot water with an extra amount of detergent before drying. This will reduce, but not remove, the hazard.
- Hand-washed items must be thoroughly rinsed with water before they are dried.
- Do not use the product if it has been cleaned with industrial chemicals.
- Do not stop a drying cycle before the end of the cycle, unless all items are quickly removed and spread out so that the heat is dissipated.
- Make sure that the openings of the product not are obstructed.
- Do not restrict the floor clearance through deep pile carpets, strips of wood or similar. This might cause a heat build-up which would interfere with the operation of the product.
- Lint must not to be allowed to accumulate around the product.

**WARNING!**

Risk of explosion and fire! Do not dry the following in the product.

- Unwashed items.
- Items such as
 - foam rubber (latex foam),
 - shower caps
 - waterproof textiles,
 - rubber backed articles and
 - clothes or pillows fitted with foam rubber pads.
- Articles that have been cleaned in, washed in, soaked in, or dabbed with combustible or explosive substances such as
 - wax,
 - oil,
 - paint,
 - gasoline,
 - degreasers,
 - dry-cleaning solvents,
 - kerosene.

**CAUTION!**

- After a washing program is completed:
 - wait for two minutes before opening the door, and
 - check whether the water inside the drum has been drained before opening the door. Do not open the door if there is any water visible.

**CAUTION!**

- Sharp and rigid items, such as coins, brooches, nails, screws or stones etc., may cause serious damage to this machine. Make sure that all pockets are emptied.

Safety during maintenance

**WARNING!**

- Only authorised technicians may carry out repairs.
- If you experience problems with the product that the troubleshooting information in the complete manual cannot help you solve, turn off the product, unplug it from the power supply, turn off the water supply, and contact our support and service.

**WARNING!**

Turn off the power supply and the water supply to the product before performing any maintenance.

**WARNING!**

During operation, there may be hot water in the drain pump. Never remove the pump cover during a washing cycle, always wait until the product has finished the cycle and all water has been drained.

**CAUTION!**

- Do not use solvents, alcohol, products containing formic acid, abrasive cleaners, glass cleaners or all-purpose cleaners to clean this product. Plastic surfaces and other parts may become damaged.
- Wear gloves when cleaning the product.
- There is a risk for water leakage if the pump cover is not properly reinstalled after cleaning of the drain pump filter.

Disposal



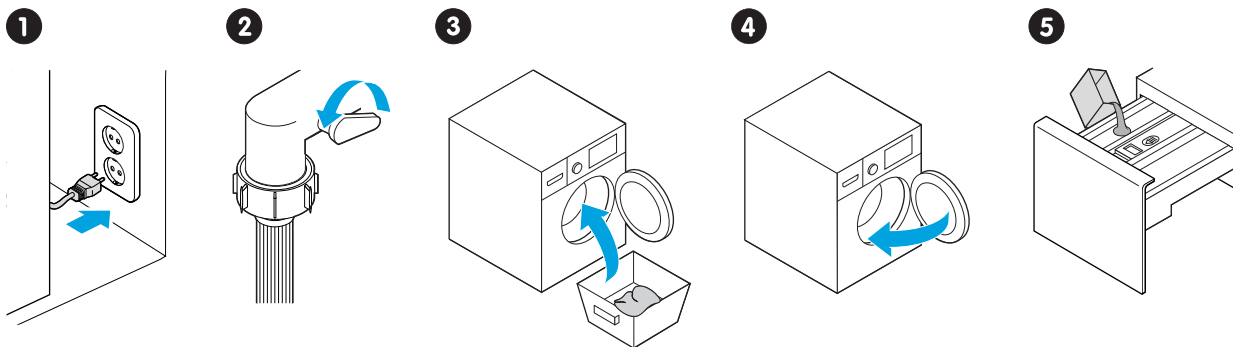
Dispose of packaging in an environmentally-friendly manner. Recycling packaging, while observing national and local regulations, can reduce the consumption of raw materials and the amount of waste in landfill sites.

This product is marked in compliance with European Directive 2012/19/EU, Waste Electrical and Electronic Equipment (WEEE). The symbol on the product or on its packaging indicates that this product should not be treated as household waste. Instead it shall be handed over to the applicable collection point for the recycling of electrical and electronic equipment.

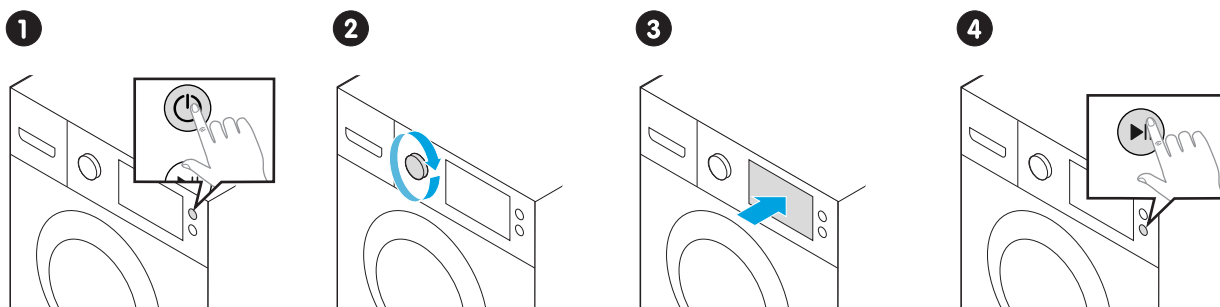
By ensuring this product is disposed of correctly, you will help prevent potential negative consequences for the environment and human health, which could otherwise be caused by inappropriate waste handling of this product. For more detailed information about recycling of this product, please contact the relevant municipal body in charge of waste management, your household waste disposal service or the store where you purchased the product.

QUICK START

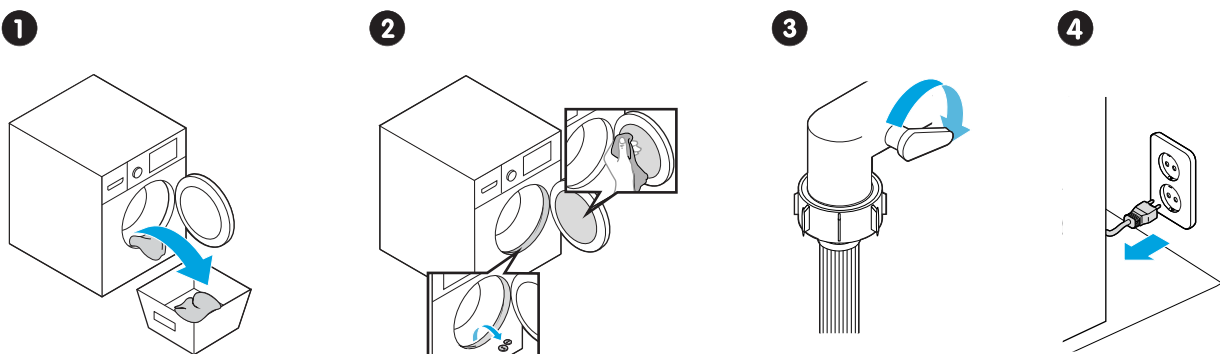
Before washing



Washing



After washing



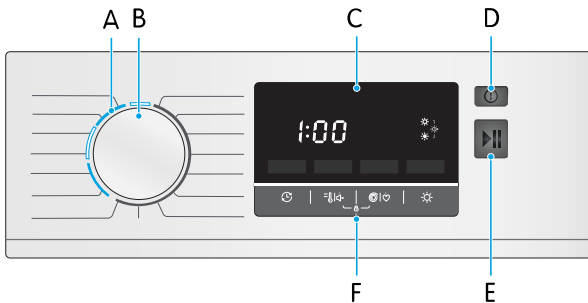
GETTING STARTED

Installation

See section "Installation", [page 29](#)

Getting to know your washing machine

Controls



- A. Wash and dry programmes
- B. Programme selector
- C. Display
- D. On/Off
- E. Start/Pause
- F. Options, settings and functions

Symbols on the display



Door lock



Child lock



Dryness level:
Standard dry

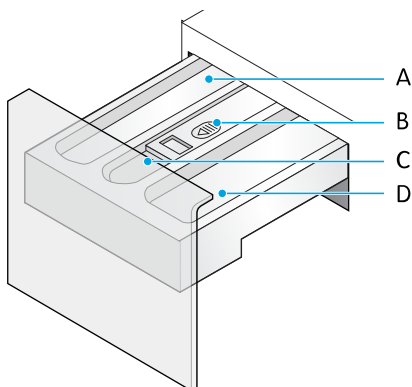


Dryness level: Extra dry



Dryness level: Timed
dry

Detergent dispenser



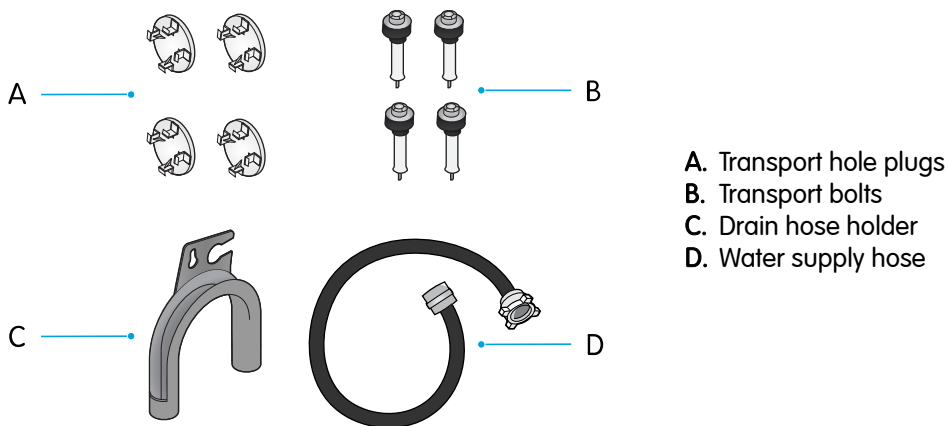
- A. Main wash detergent
- B. Detergent lock (push down to remove dispenser)
- C. Softener
- D. Pre-wash detergent



WARNING!

Flammable and explosive or toxic solvents are forbidden. Gasoline and alcohol etc. must not be used as detergents. Only use detergents that are suitable for machine washing.

Accessories



Transport hole plugs

For plugging the holes after the transport bolts have been removed.

Transport bolts

For securing the machine during transport.

Drain hose holder

For securing the hose and avoiding kinks, for example when placing the hose over the edge of a sink.

Water supply hose

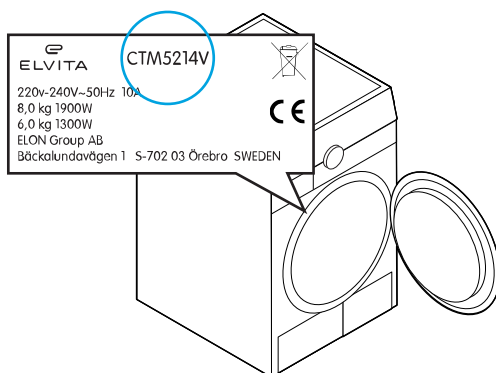
For connecting the machine to the water supply.

Use the child lock

Activate the child lock to avoid accidental operation by children.

1. Press and hold and for 3 seconds until an acoustic signal sounds. All buttons except are now locked.
2. Press and hold and for 3 seconds to deactivate the child lock.
NOTE! Turning the power off and on will not deactivate the child lock.

Find the model code



The model code is printed on a label on the product. You need the code to find the complete and most recent information, service and support for your product model.







NOTE!

This product and label text are examples. Your product and text may have a different look and content.

Before first use

Calibrate the machine

1. Make sure the machine is empty.
2. Plug in the power cord.
3. Press  to turn on the machine.
4. Within 10 seconds after the machine was turned on, press and hold  and  until **t19** is displayed.
5. Press .

NOTE! Calibration is completed when the drum stops rotating and digits are displayed.

Run an empty washing cycle

Make sure that the machine is installed and calibrated properly.

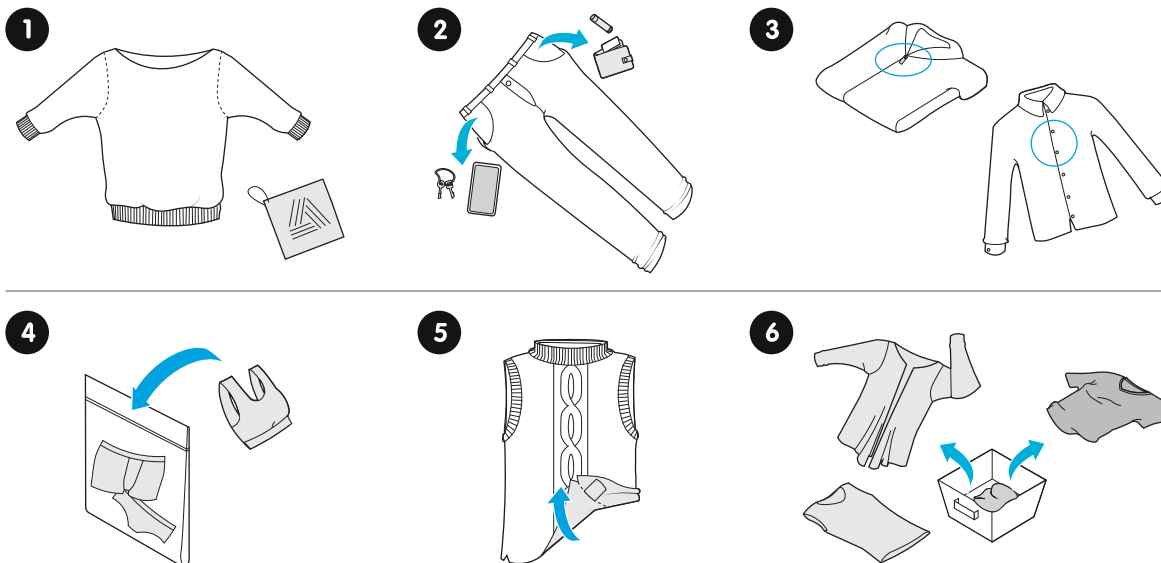
1. Plug in the power cord.
2. Open the water tap.
3. Start a washing programme.

NOTE! Do not put any clothes in the machine.

The machine is ready for use when the programme has completed.

WASHING AND DRYING

Before each wash



1. Check the clothing care labels.
2. Remove any items from the pockets.
CAUTION! Sharp and rigid items, such as coins, brooches, nails, screws or stones etc., may cause serious damage to this washer dryer.
3. Tie any belts and fasten any zips or buttons.
4. Place small items inside a washing bag.



You can also use a pillow case.

5. Turn easy-pilling and long-pile fabric inside out
6. Separate clothes according to fabric type.

Start washing



CAUTION!

Before washing, make sure the machine is correctly installed.



NOTE!

Save energy and water.

- Washing full loads will save energy and water. Maximum capacity depends on the programme.
- In general, a programme that performs at lower temperature and longer duration consumes less energy.

1. Press **ⓘ** to turn on the power.
2. Add clothes.
3. Turn the programme selector to select a programme.
4. Select settings and options if needed.

5. Add detergent and softener in the detergent dispenser if needed.

NOTE! Make sure to use a detergent suitable for the the laundry to be washed and the selected washing programme and temperature.

6. Press ►|| to start the programme.

When the washing is completed an acoustic signal sounds and **End** is displayed.



WARNING!

- Never refill with water by hand during washing.
- After the program is finished, wait for two minutes before opening the door.
- Check whether the water inside the drum has been drained before opening the door. Do not open the door if there is any water visible.
- Take care to avoid scalding when the hot water is being emptied from the machine.

Options, settings and functions



Child lock

Prevents accidental use of the machine. See section "Use the child lock", [page 13](#).



Delay

Delays the start of the washing programme by a specified amount of time. Maximum delay time is 24 hours.



Dryness level



Reload

Add laundry during a wash.



Spin speed, My cycle

- Spin speed: Adjusts the spin speed.
- My cycle: Saves your favourite combination of washing programme and options.



Temperature, Mute / unmute

- Temperature: Adjusts the temperature.
- Mute / unmute: Mutes and unmutes the acoustic signal.

Change the Dryness level

1. Turn the programme selector to select a programme.
2. Press to cycle through the available levels: (standard dry, extra dry, timed dry - continue cycling through to select different preset drying times).
The dryness levels are displayed as , and .

Change the spin speed

1. Press to cycle through the available speeds: (0, 400, 600, 800, 1000, 1200, 1400)



NOTE!


When the spin speed indication lights are off the spin speed is 0.





NOTE!

Higher spin speeds create more noise and lower residual moisture content.

Change the temperature

1. Turn the programme selector to select a programme.
2. Press  to cycle through the available temperatures: (Cold, 20 °C, 30 °C, 40 °C, 60 °C, 90 °C)

Use the Delay option

1. Turn the programme selector to select a programme.
2. Change settings and select options if needed.
3. Press  to cycle through the available delay times.
4. Press .


The washing cycle will start after the delay time has passed.




You can cancel the delay timer by pressing  to cycle through the available delay times until the display shows 0H.

Use the My cycle function

You can save a frequently used programme for quick access. The default programme is Cotton.

1. Select a programme and the settings and options you want to use.
2. Press  for 3 seconds to add the current programme and settings to the memory.

Your programme and settings are now stored and can be used by turning the programme selector to **My Cycle** .


Reload - add laundry during a wash


You can add more laundry to a wash by first pausing the programme.



WARNING!

Do not use this function when the water level is above the rim of the inner drum or the temperature setting is high.

1. Press and hold  for 3 seconds.
2. Wait for the drum to stop rotating and for the door to unlock.



WARNING! When the drum is still rotating and there is large amount of hot water in the drum it is unsafe to release open the door and the door cannot be opened by force.
3. Add the laundry and close the door.
4. Press  to resume washing.

Mute and unmute the acoustic signal



NOTE!

The acoustic signal will not sound when it is muted.

1. Press and hold  for 3 seconds to mute the acoustic signal.
2. Press and hold  for 3 seconds to unmute the acoustic signal.

The setting will be remembered until the next reset.

Washing programmes

1h Wash&Dry

For a small number of synthetic clothes.

Default temperature	Cold
Default time	0:58
Default speed	1400 rpm
Maximum load, washing	1.0 kg
Maximum load, washing and drying	1.0 kg
Pre-wash detergent	-
Main wash detergent	Essential
Softener	Optional
Options	-

20 °C

20 °C as default temperature. Cold water can also be selected.

Default temperature	20 °C
Default time	1:01
Default speed	1000 rpm
Maximum load, washing	4.0 kg
Pre-wash detergent	-
Main wash detergent	Essential
Softener	Optional
Options	<ul style="list-style-type: none"> • Delay

Cotton

For hard-wearing, heat-resistant textiles made of cotton or linen.

Default temperature	40 °C
Default time	3:39
Default speed	1400 rpm
Maximum load, washing	8.0 kg
Maximum load, washing and drying	6.0 kg
Pre-wash detergent	-
Main wash detergent	Essential
Softener	Optional
Options	<ul style="list-style-type: none"> • Delay • Dryness level

Dry only

Dry laundry. Select from different dryness levels.

Default temperature	-
Default time	4:14
Default speed	1400 rpm
Maximum load, drying	6.0 kg
Pre-wash detergent	-
Main wash detergent	-
Softener	-
Options	<ul style="list-style-type: none"> • Delay • Dryness level

ECO 40-60

Recommended for normally soiled cotton laundry.



NOTE!

This programme is able to wash laundry declared to be washable at 40 °C or 60 °C in one go in the same cycle.

Default temperature	40 °C
Default time	3:35
Default speed	1400 rpm
Maximum load, washing	8.0 kg
Pre-wash detergent	-
Main wash detergent	Essential
Softener	Optional
Options	<ul style="list-style-type: none"> • Delay

Intensive

The washing time is increased for better washing effect.

Default temperature	40 °C
Default time	3:48
Default speed	800 rpm
Maximum load, washing	8.0 kg
Pre-wash detergent	-
Main wash detergent	Essential
Softener	Optional
Options	<ul style="list-style-type: none"> • Delay

Jeans

Specially for jeans.

Default temperature	30 °C
Default time	1:35
Default speed	800 rpm
Maximum load, washing	8.0 kg
Pre-wash detergent	-
Main wash detergent	Essential
Softener	Optional
Options	<ul style="list-style-type: none"> • Delay

Mix

Mixed load consisting of textiles made of cotton and synthetics.

Default temperature	40 °C
Default time	1:20
Default speed	1000 rpm
Maximum load, washing	8.0 kg
Maximum load, washing and drying	6.0 kg
Pre-wash detergent	-
Main wash detergent	Essential
Softener	Optional
Options	<ul style="list-style-type: none"> • Delay • Dryness level

Quick 15 min

Extra-short program. Suitable for small amounts of lightly soiled laundry.

Default temperature	Cold
Default time	0:15
Default speed	800 rpm
Maximum load, washing	2.0 kg
Maximum load, washing and drying	1.0 kg
Pre-wash detergent	-
Main wash detergent	Essential
Softener	Optional
Options	<ul style="list-style-type: none"> • Delay

Rinse & Spin

Extra rinsing and spinning.

Default temperature	-
Default time	0:20
Default speed	1000 rpm
Maximum load, washing	8.0 kg
Pre-wash detergent	-
Main wash detergent	-
Softener	Optional
Options	<ul style="list-style-type: none"> • Delay

Spin only

Extra spinning with selectable spin speed.

Default temperature	-
Default time	0:12
Default speed	1000 rpm
Maximum load, washing	8.0 kg
Pre-wash detergent	-
Main wash detergent	-
Softener	-
Options	<ul style="list-style-type: none"> • Delay

Sportswear

For washing active wear.

Default temperature	20 °C
Default time	0:45
Default speed	800 rpm
Maximum load, washing	4.0 kg
Pre-wash detergent	-
Main wash detergent	Essential
Softener	Optional
Options	<ul style="list-style-type: none"> • Delay

Synthetic

For washing synthetic items, such as shirts, coats and blended fabrics. When knitted garments are washed the amount of detergent should be reduced to avoid excessive foaming.

Default temperature	40 °C
Default time	3:18
Default speed	1200 rpm
Maximum load, washing	4.0 kg

Maximum load, washing and drying	4.0 kg
Pre-wash detergent	-
Main wash detergent	Essential
Softener	Optional
Options	<ul style="list-style-type: none"> • Delay • Dryness level

Wash and Dry

Recommended for normally soiled cotton laundry. Leaves the laundry dry enough to immediately be stored in a cupboard.



NOTE!

This programme is able to wash laundry declared to be washable at 40 °C or 60 °C in one go in the same cycle.

Default temperature	40 °C
Default time	5:04
Default speed	1400 rpm
Maximum load, washing and drying	6.0 kg
Pre-wash detergent	-
Main wash detergent	Essential
Softener	Optional
Options	<ul style="list-style-type: none"> • Delay • Dryness level

Wool

Hand or machine washable wool or wool-rich textiles. Gentle washing programme designed to prevent shrinkage. Includes longer periods without drum rotation.

Default temperature	40 °C
Default time	1:07
Default speed	600 rpm
Maximum load, washing	2.0 kg
Pre-wash detergent	-
Main wash detergent	Essential
Softener	Optional
Options	<ul style="list-style-type: none"> • Delay

CLEANING

Correct maintenance of your product can extend its working life.

When needed, use a limescale remover intended for washing machines. Follow the instructions included with the remover.



WARNING!

Unplug the machine and close the tap before starting maintenance.



CAUTION!

Do not use alcohol, solvents or chemical products to clean the product.

Clean the exterior

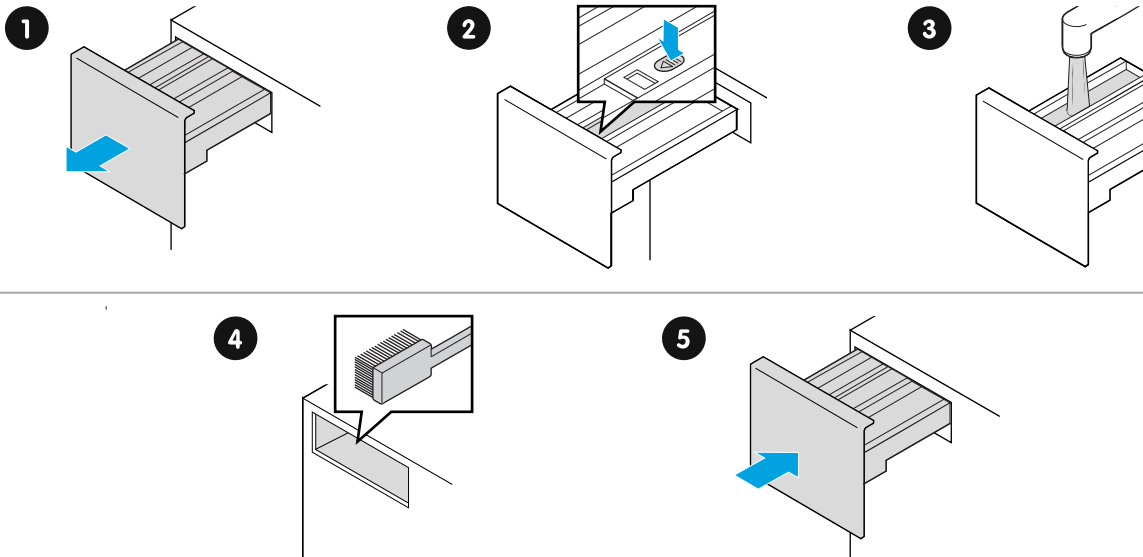
- When needed, clean the surface with diluted non-abrasive neutral detergents.
- If there is any water overflow, use a cloth to wipe it off immediately.



CAUTION!

- Do not use sharp cleaning tools.
- Do not use formic acid or solvents, such as alcohol and chemical products, etc.

Clean the detergent dispenser



1. Open the dispenser.
2. Push down the button and pull out the dispenser.
3. Clean the dispenser with water.
4. Clean inside the recess with an old toothbrush.
5. Insert the dispenser.

Clean the drum

- Immediately remove any rust that is left inside the drum by metal parts.



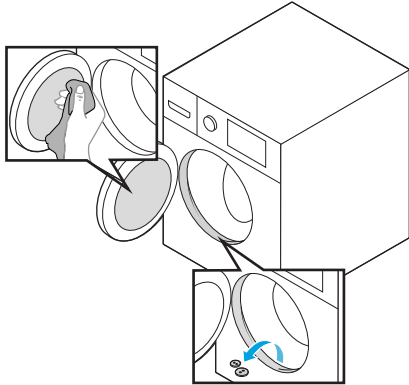
CAUTION!

- Use a chlorine free detergent.
- Do not use steel wool.

- When needed, run the programme intended for cleaning the drum. See section .

Clean the door seal and glass

Do this after each wash.



- Wipe the glass and seal to remove lint and stains.



NOTE!

If lint builds up it can cause leaks.

- Remove any coins, buttons, or other objects from the seal.



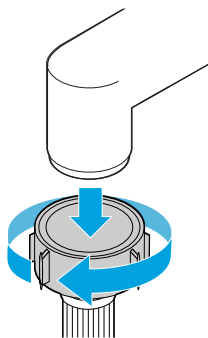
CAUTION!

- Use a chlorine free detergent.
- Do not use steel wool.

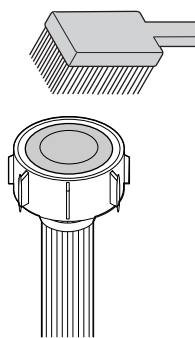
Clean the tap inlet filter

The tap inlet filters must be cleaned if the water supply becomes restricted.

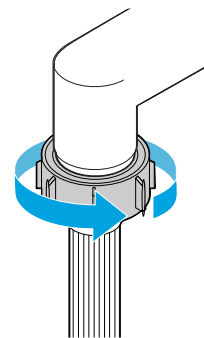
1



2



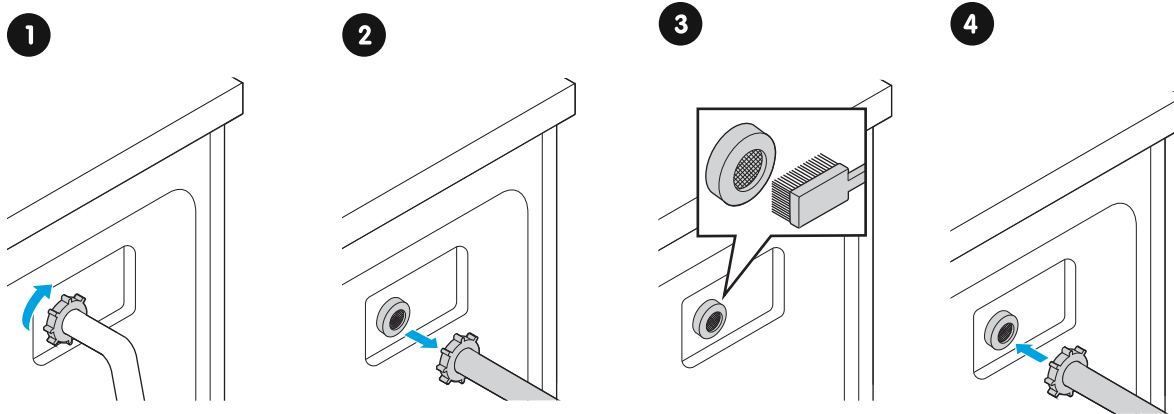
3



1. Turn off the tap and remove the water supply hose from the tap.
2. Clean the filter.
3. Refit the water supply hose to the tap and turn on the tap.

Clean the machine inlet filter

The machine inlet filter must be cleaned if the water supply becomes restricted.



1. Turn off the tap and unscrew the inlet pipe from the rear of the machine.
2. Remove the inlet pipe.
3. Clean the filter with a brush.
4. Refit the inlet pipe and turn on the tap.



The filter can be removed and washed separately.

Clean the drain pump filter

The drain pump filter is designed to trap fibres and small foreign objects. Clean the filter periodically to ensure the normal operation of the machine.



WARNING!

Unplug the machine before you clean the filter to avoid electrical shock.



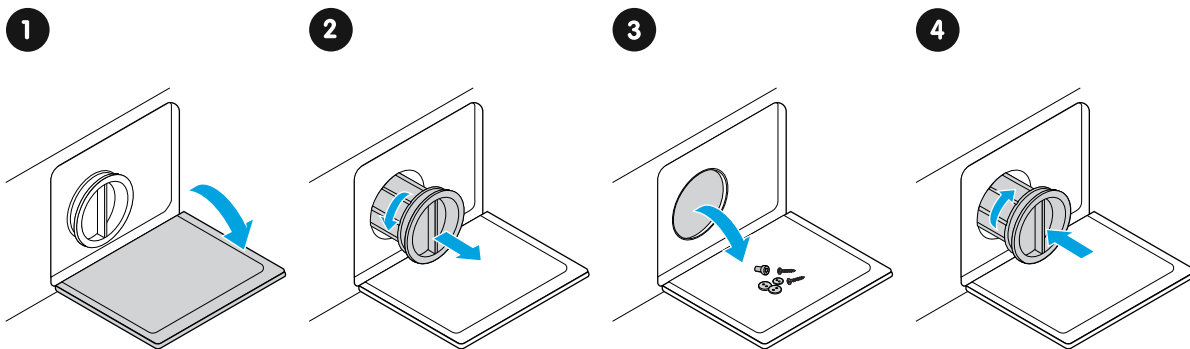
WARNING!

- Be careful. The water may be hot!
- Allow detergent solution to cool down before you clean the filter.



CAUTION!

Never remove the pump cover during a wash cycle. Always wait until the machine has finished the cycle, and is empty.



1. Open the filter cover.
2. Rotate the filter anticlockwise and pull it out.
3. Remove any foreign objects.
4. Refit the filter and close the cover.

**CAUTION!**

Make sure the valve cap is reinstalled properly; fittings must be correctly aligned otherwise water may leak.

TROUBLESHOOTING

Troubleshooting



WARNING!

- Only authorised technicians may carry out repairs.
- If you experience problems with the product, please see if the user instructions and troubleshooting information in the user manual can help you find a solution. If the problem persists:
 - turn off the product,
 - unplug the product from its power supply, and
 - contact the support.

Problem	Cause	Remedy
The machine does not start	The door is not properly closed	Check if any laundry is stuck Close the door and try to start again
	Machine is not connected to the power supply	Connect the power cord to the power outlet
	No programme has been selected	Select a programme
	You forgot to press ►II	Press ►II
	Machine is not turned on	Turn on the machine
Display does not come on	Power supply is not working	Check if the power supply works. If it is not in working condition contact an authorised electrician
	Main plug is not inserted	Connect main plug to power outlet
	No programme is selected	Select a programme
	Machine is not turned on	Press ①
The door cannot be opened	The machine safety interlock is active	Disconnect the power and restart the machine
Water is leaking	The connection between the machine and the inlet pipe or drain hose is not tight	Check and tighten the connections Clean the drain hose
Detergent residue in the dispenser	Detergent is damp or clumped	Clean and wipe the detergent dispenser. See section "Clean the detergent dispenser", page 23
Indicator or display does not come on	Electrical connection problem.	Check that the power is turned on and the plug is inserted correctly
Abnormal noise	Transport bolts have not been removed	Remove the transport bolts. See section "Remove the transport bolts", page 31
	The machine is not levelled	Level the machine. See section "Level the machine", page 32

Error messages

Message	Cause	Remedy
E10	Water injection problem while washing	Check if the water pressure is too low Straighten the water pipe Check if the inlet valve filter is blocked
E12	Water overflowing	Restart the machine
E21	Water takes too long to drain	Check if the drain hose is blocked
E30	The door does not close properly	Check if any clothing is stuck Close the door and try to start again
EXX	Other problem	Please try again, then contact the support if the problem persists

**NOTE!**

If your machine needs repair, consider repairing it. Repairing instead of buying new is good for the environment.

The spare parts listed in the EU regulation 2019/2023 will be available to professional repairers at least 10 years after this product was placed on the market.

INSTALLATION

Follow the instructions in this section to install your machine.



WARNING!

- If the power cord is damaged, it must be replaced by the manufacturer, the manufacturer's service agent or similarly qualified persons in order to avoid a hazard.
- Use the new hose sets supplied with the machine. Do not reuse old hose sets.
- To ensure your safety, connect the plug to an earthed three-pole socket. Check carefully to ensure that your socket is properly and reliably earthed.
- Make sure that the machine is connected to water and electrical supplies by a suitably qualified person in accordance with the manufacturer's instructions and local safety regulations.



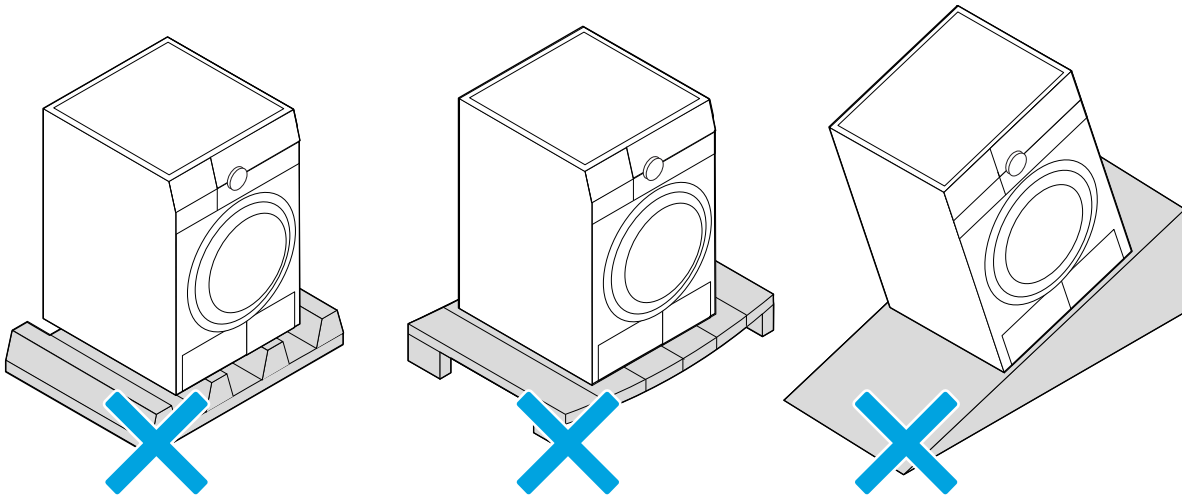
CAUTION!

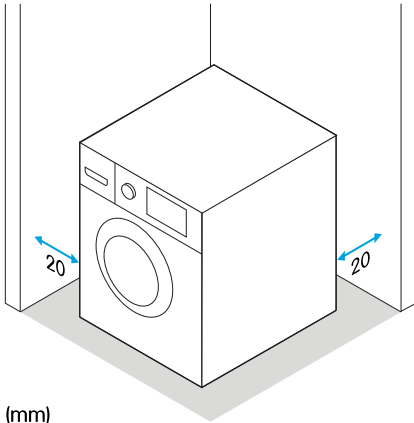
The inlet hose must be connected to the cold water supply.

Installation area

Keep the following in mind when choosing a location to install the machine:

- Avoid direct sunlight.
- Sufficient ventilation.
- Room temperature above 0 °C.
- Keep away from heat sources such as coal or gas appliances.
- The surface should be rigid, dry, and level. Stability is important to prevent the machine from wandering.





(mm)

**WARNING!**

- Make sure that the machine does not stand on the power cord.
- The plug must be accessible after installation.

**WARNING!**

The machine must not be used in very wet rooms or rooms where there is a risk of explosive or caustic gases.

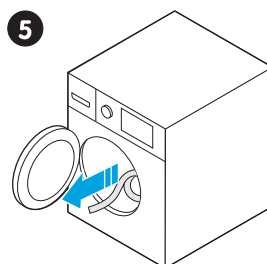
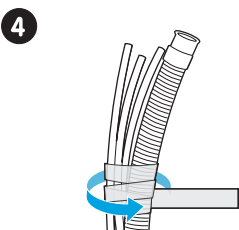
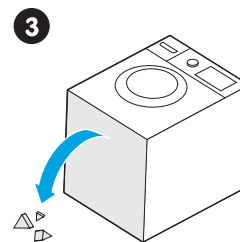
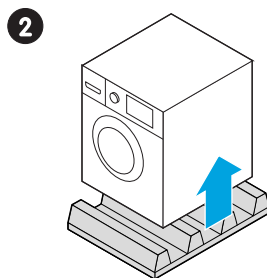
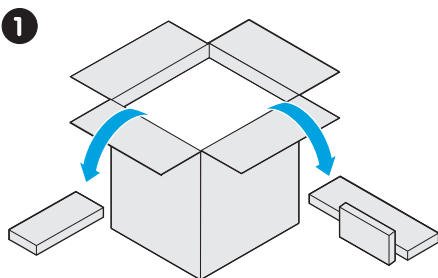
**CAUTION!**

- The machine is for indoor use only.
- The machine is not intended for integration into a cabinet.
- The openings must not be obstructed by a carpet.

Unpack the machine

**WARNING!**

Remove all packaging and transport bolts before using the machine. Otherwise, serious damage may result.



1. Remove the cardboard box and styrofoam packaging.
2. Lift the product and remove the base packaging.
3. Lay the product down on its side and remove the small triangular pieces of foam from the bottom.

4. Remove the tape holding the power cord and drain hose.
5. Remove the accessories from the drum.

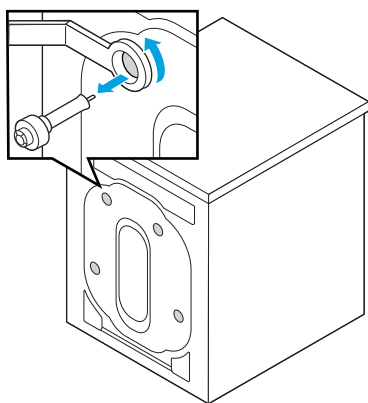
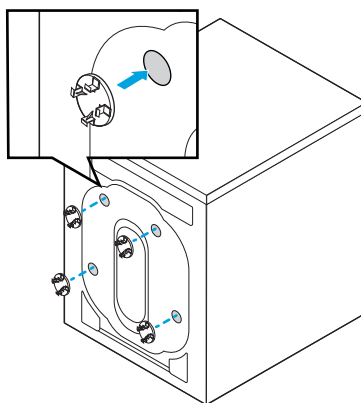
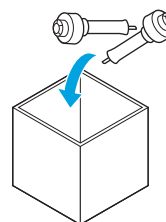
**WARNING!**

Keep all packaging material well away from children. There is a risk of suffocation!

Remove the transport bolts

**WARNING!**

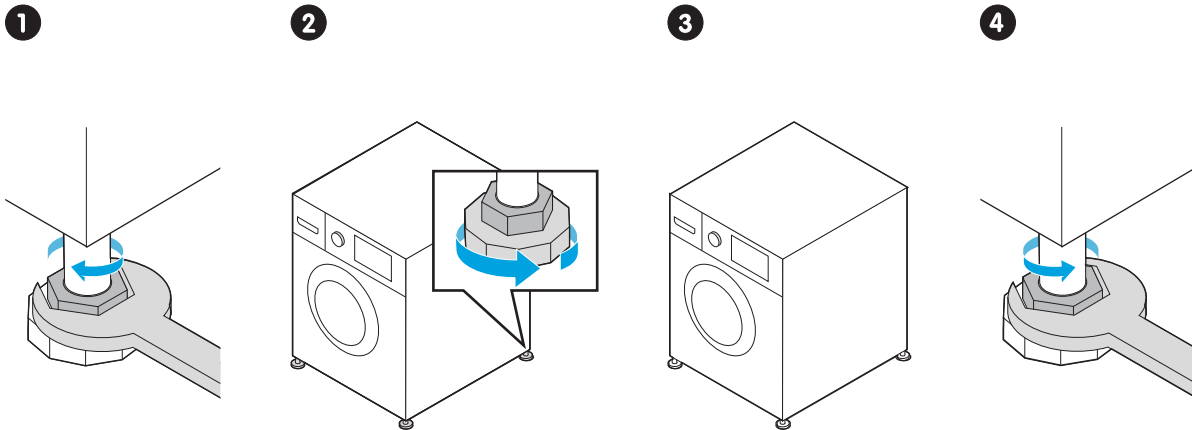
You must remove the transport bolts from the rear before using the machine.

1**2****3**

1. Loosen the bolts with a spanner and remove them.
2. Plug the holes with the transport hole plugs.
3. Keep the bolts in a safe place.

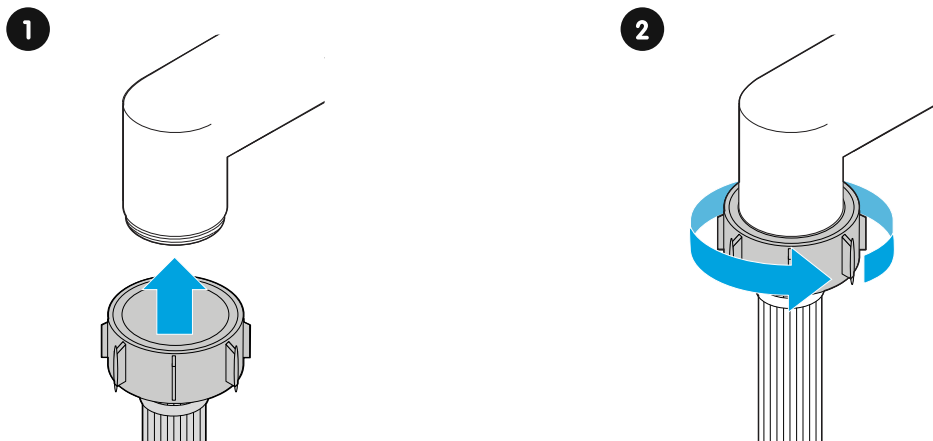
NOTE! You will need the transport bolts again if you move the machine.

Level the machine



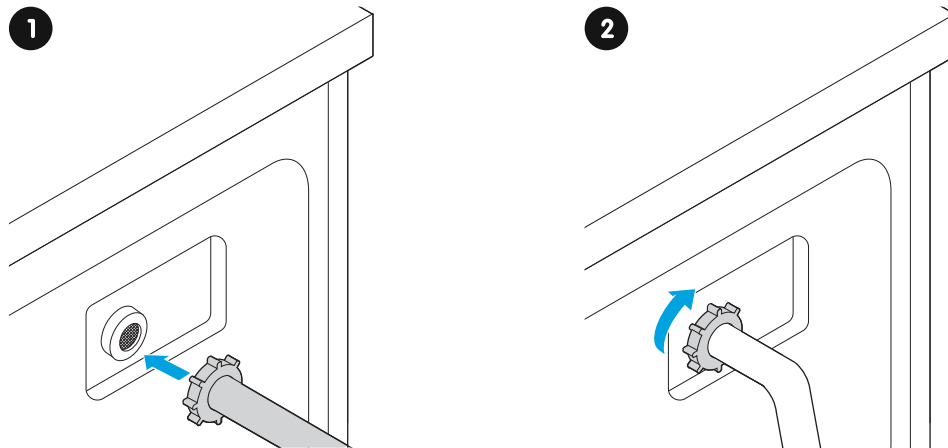
1. Loosen the nuts and screw in the feet fully. Check if there are any feet not touching the floor.
2. If any foot is not touching the floor: screw out the foot until it makes contact with the floor.
3. Use a spirit level to check if the dryer is perfectly level and adjust the feet again if needed.
4. Tighten the nuts with a spanner and make sure that the machine is steady.
WARNING! The lock nuts on all four feet must be screwed tightly against the housing.

Connect the water supply hose to a tap



1. Lift up the hose to the tap.
2. Screw the connector onto the threads of the tap.

Connect the water supply hose to the machine



1. Lift the supply hose to the inlet valve at the rear of the machine.
2. Screw the coupling onto the threads of the tap until tight.

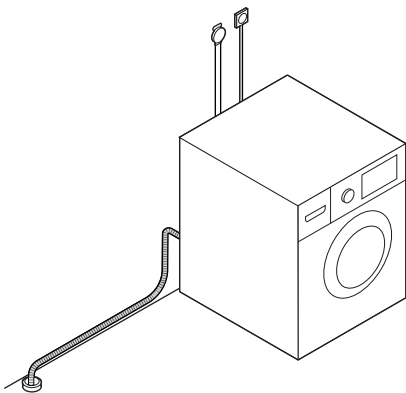
Connect to an external drain



CAUTION!

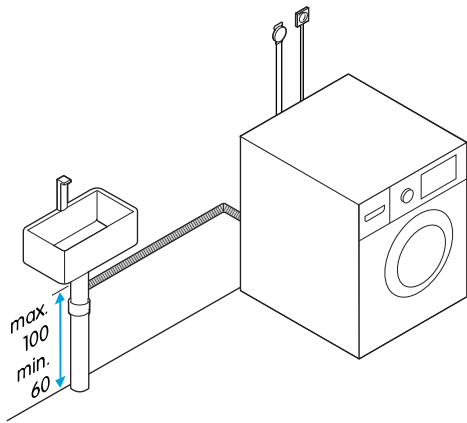
- Do not kink or stretch the drain hose.
- Position the drain hose properly, as it could lead to a water leak if it is damaged.
- Do not immerse the end of the drain hose into the waste water. Immersing the hose could hamper the drainage and cause waste water to go back into the machine again.

Position the drain hose into a floor drain



Connect the drain hose to a sink drain pipe

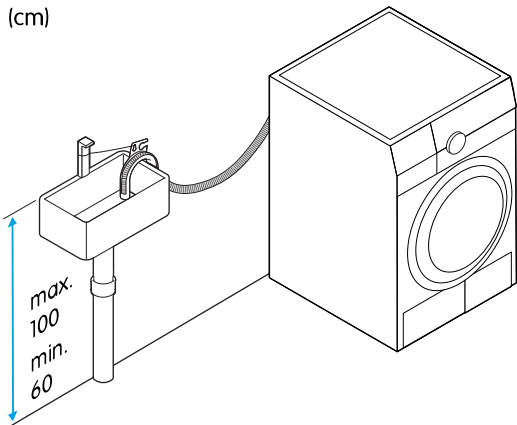
(cm)



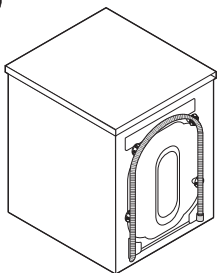
Position the drain hose into a sink

Use the drain hose holder to keep the drain hose bent downward into the sink without kinking.

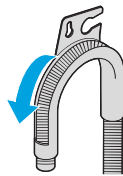
(cm)



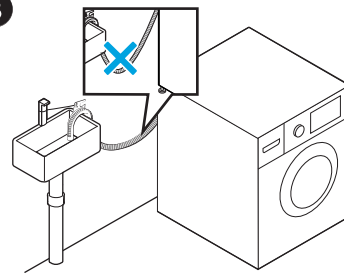
1



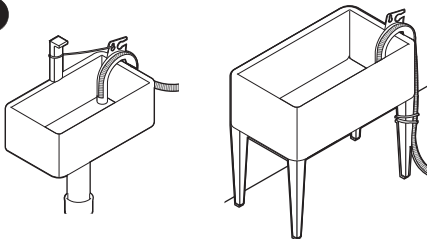
2



3



4



1. Remove the drain hose carefully from the clasps.
2. Insert the drain hose into the hose holder.
3. Hang the hose holder over the edge of the sink.
4. Secure the drain hose to the sink with a cord, clip or cable tie.

APPENDIX

Technical specifications


NOTE!

The value of rated capacity refers to the weight of dry laundry.

Model code	See section "Find the model code", page 13
Width	595 mm
Depth	475 mm
Height	850 mm
Weight	65 kg
Rated washing capacity	8 kg
Rated drying capacity	6 kg
Maximum spin speed	1400 rpm
Power supply	220-240 V, 50 Hz
Maximum current	10 A
Rated power	1900 W
Standard water pressure	0.05 MPa ~ 1 MPa

Energy efficiency

You can find information about the energy efficiency of this product in EPREL, the European product registry for energy labelling. Go to the EPREL website and use the model identifier to find the information. The model identifier can be found on the energy label accompanying the product.

EPREL website: <https://eprel.ec.europa.eu/>



Consumption values

Actual values for a washing cycle may differ from the values presented here. The values given for programmes other than the ECO 40-60 and the Wash and Dry programmes are indicative only.

Programme	Washing load at which the values were achieved (rated capacity of the specific programme unless stated otherwise) (kg)	Programme duration (hours:minutes)	Energy consumption (kWh per cycle)	Water consumption (litres per cycle)	Max. temperature reached for min. 5 minutes inside the laundry during the washing cycle (°C)	Remaining moisture content and the spin speed (rpm) at which the value was achieved
20 °C	4.0	1:01	0.183	44	20	65 % / 1000
Cotton (40 °C)	8.0 / 6.0	3:39	1.120	71	40	53 % / 1400
ECO 40-60	8.0 (Rated capacity)	3:38	0.871	64	38	53 % / 1400
	4.0 (Half of the rated capacity)	2:48	0.530	46	38	53 % / 1400
	2.0 (Quarter of the rated capacity)	2:48	0.205	33	21	53 % / 1400
Intensive	8.0	3:48	1.013	71	40	70 % / 800
Mix	8.0 / 6.0	1:20	0.754	71	40	65 % / 1000
Quick 15 min	2.0	00:15	0.030	31	Cold	75 % / 800
Wash and Dry	6.0 (Rated capacity)	9:30	4.680	108	39	0 % / 1400
	3.0 (Half of the rated capacity)	6:40	2.400	64	27	0 % / 1400

EU directives and standards

This product fulfils the applicable EU directives and regulations and carries the CE mark. If not included with the product, a copy of the EU Declaration of Conformity is available on request.

- The performance of the product has been tested in compliance with standard EN 50229 for washer-dryers.
- Concerning EU regulation 2019/2023, energy test program: ECO 40-60; other settings: default.

ELVITA



elON GROUP

Elvita products are distributed and marketed by Elon Group AB.
Elon Group AB Bäcklundavägen 1 | 702 03 Örebro Sweden
ELON GROUP | +46(0)10-220 40 00 | ELONGROUP.SE
Support and service: ELVITA.SE