

# Cylinda

## Microwave Oven

User Manual



IM 5241 LV - IM 5241 LRF

EN - DA - SV - NO - FI



01M-9201603600-1121-01  
01M-9201613600-1121-01

## CONTENTS

---

<b>ENGLISH</b>	<b>03-21</b>
<b>DANSK</b>	<b>22-41</b>
<b>SVENSKA</b>	<b>42-60</b>
<b>NORSK</b>	<b>61-79</b>
<b>SUOMI</b>	<b>80-100</b>





## Please read this manual first!

Dear Customer,

Thank you for purchasing a Cylinda product. We hope that you get the best results from your product which has been manufactured with high quality and state-of-the-art technology. Therefore, please read this entire user manual and all other accompanying documents carefully before using the product and keep it as a reference for future use. If you handover the product to someone else, give the user manual as well. Follow all warnings and information in the user manual.

### Meanings of the symbols

Following symbols are used in the various section of this user manual:

	Important information and useful hints about usage.
	Warnings for dangerous situations concerning the safety of life and property.
	Warning for hot surfaces.
	Warning for electric shock.



This product has been manufactured in environmental friendly modern plants without giving any harm to the nature.

---

# 1 Important safety and environmental instructions

## Important Safety Instructions Read Carefully And Keep For Future Reference

### 1.1 Safety warnings

This section contains safety instructions that will help protect from risk of fire, electric shock, exposure to leak microwave energy, personal injury or property damage. Failure to follow these instructions shall void any warranty.

- Cylinda Microwave Ovens comply with the applicable safety standards; therefore, in case of any damage on the appliance or power cable, it should be repaired or replaced by the dealer, service center or a specialist and authorized service alike to avoid any danger. Faulty or unqualified repair work may be dangerous and cause risk to the user.
- This appliance is intended to be used in household and similar applications such as:
  - Staff kitchen areas in shops, offices and other working environments;
  - Farm houses
  - By clients in hotels, and other residential type environments;
  - Bed and Breakfast type environments.
- It is not intended for industrial or laboratory use.
- Do not attempt to start the oven when its door is open; otherwise you may be exposed to harmful microwave energy. Safety locks should not be disabled or tampered with.
- The microwave oven is intended for heating food and beverages. Drying of food or clothing and heating of warming pads, slippers, sponges, damp cloth and similar may lead to risk of injury, ignition or fire.
- Do not place any object between the front side and the door of the oven. Do not allow dirt or cleaning agent remnants to build up on the closure surfaces.

# 1 Important safety and environmental instructions

- Any service works involving removal of the cover that provides protection against exposure to microwave energy must be performed by authorized persons/service. Any other approach is dangerous.
- Your product is intended for cooking, heating and defrost food at home. It must not be used for commercial purposes.
- Your oven is not designed to dry any living being.
- Do not use your appliance to dry clothes or kitchen towels.
- Do not use this appliance outdoors, bathrooms, humid environments or in places where the it can get wet.
- No responsibility or warranty claim shall be assumed for damages arising from misuse or improper handling of the appliance.
- Never attempt to dismantle the appliance. No warranty claims are accepted for damage caused by improper handling.
- Only use the original parts or parts recommended by the manufacturer.
- Do not leave this appliance unattended while it is in use.
- Always use the appliance on a stable, flat, clean dry, and non-slip surface.
- The appliance should not be operated with an external clock timer or separate remote control system.
- Before using the appliance for the first time, clean all parts. Please see the details given in the “Cleaning and Maintenance” section.
- Operate the appliance for its intended purpose only as described in this manual.
- Appliance becomes very hot while it is in use. Pay attention not to touch the hot parts inside the oven.
- Do not operate the oven empty.
- Cooking utensil may get hot due to the heat transferred from the heated food to the utensil. You may need oven gloves to hold the utensil.
- Utensils shall be checked to ensure that they are suitable for use in microwave ovens.

# 1 Important safety and environmental instructions

- Do not place the oven on stoves or other heat generating appliances. Otherwise, it may be damaged and the warranty becomes void.
- Steam may come out while opening the covers or the foil after cooking the food.
- The appliance and its accessible surfaces may be very hot when the appliance is in use.
- Door and outer glass may be very hot when the appliance is in use.
- Make sure that your mains power supply complies with the information supplied on the rating plate of the appliance.
- The only way to disconnect the appliance from the power supply is to remove the power plug from the power outlet.
- Use the appliance with a grounded outlet only.
- Never use the appliance if the power cable or the appliance itself is damaged.
- Do not use this appliance with an extension cord.
- Never touch the appliance or its plug with damp or wet hands.
- Place the appliance in a way so that the plug is always accessible.
- Prevent damage to the power cable by not squeezing, bending, or rubbing it on sharp edges. Keep the power cable away from hot surfaces and naked flame.
- Make sure that there is no danger that the power cable could be accidentally pulled or that someone could trip over it when the appliance is in use.
- Unplug the appliance before each cleaning and when the appliance is not in use.
- Do not pull the power cable of the appliance to disconnect it from its power supply and never wrap its power cable around the appliance.
- Do not immerse the appliance, power cable, or power plug in water or any other liquids. Do not hold it under running water.
- When heating food in plastic or paper containers, keep an eye on the oven due to the possibility of ignition.

# 1 Important safety and environmental instructions

- Remove the wire strings and/or metal handles of paper or plastic bags before placing bags to the oven.
  - If smoke is observed, switch off or unplug the appliance if safe to do so and keep the door closed in order to stifle any flames.
  - Do not use microwave oven for storage. Do not leave paper items, cooking material or food inside the oven when it is not being used.
  - The contents of feeding bottles and baby food jars should be stirred or shaken and the temperature checked before consumption, in order to avoid burns.
  - This appliance is a Group 2 Class B ISM equipment. Group 2 contains all ISM (Industrial, Scientific and Medical) equipment in which radio-frequency energy is intentionally generated and/or used in the form of electromagnetic radiation for the treatment of material, and spark erosion equipment.
  - Class B equipment is suitable for use in domestic establishments and establishments directly connected to a low voltage power supply network.
  - Do not use cooking oil in the oven. Hot oil may damage the components and materials of the oven, and it may even cause skin burns.
  - Pierce food with thick crust such as potatoes, courgettes, apples and chestnuts.
  - Appliance must be placed so that the rear side is facing the wall.
  - Before moving the appliance, please secure the turntable to prevent damage.
  - Eggs in their shell and whole hard-boiled eggs must not be heated in microwave ovens since they may explode, even after microwave heating has ended.
- WARNING:** If the door or door seals are damaged, the oven must not be operated until it has been repaired by a competent person.

# 1 Important safety and environmental instructions

**WARNING:** It is hazardous for anyone other than a competent person to carry out any service or repair operation which involves the removal of a cover which gives protection against exposure to microwave energy.

**WARNING:** Liquids and other foods must not be heated in sealed containers since they are liable to explode.

- The oven should be cleaned regularly and any food deposits removed.
- There should be min 20 cm free space above the top surface of the oven.
- Do not over-cook foods; otherwise, you may cause a fire.
- Do not use chemicals and steam assisted cleaners to clean the appliance.
- Extreme caution is advised when being used near children and persons who are restricted in their physical, sensory or mental abilities.
- This appliance can be used by the children who are at the age of 8 or over and by the people who have limited physical, sensory or mental capacity or who do not have knowledge and experience, as long as they are supervised with regard to safe use of the product or they are instructed accordingly or understand the risks of using the product. Children should not play with the appliance. Cleaning and user maintenance procedures should not be performed by children unless they are controlled by their elders.
- **Danger of choking!** Keep all the packaging materials away from children.
- Due to excessive heat that arises in grill and combination modes, children should only be allowed to use these modes under supervision of an adult.
- Keep the product and its power cable so that they are inaccessible by children under 8 years old.



# 1 Important safety and environmental instructions

- Do not cook food directly on the glass tray. Put the food in / on appropriate kitchen utensils before placing them in the oven.
- Metallic containers for food and beverages are not allowed during microwave cooking. Otherwise, sparking may occur.
- Microwave oven must not be placed in a cabinet that is not in compliance with the installation instructions.
- Microwave oven is intended for built-in use only.
- If built-in appliances being used equal or higher than 900 mm above the floor, care should be taken not to displace the turntable when removing containers from the appliance.
- If the built-in product is in a cabinet with a door, the product must be operated with the cabinet door open.

## 1.2 Compliance with the WEEE Directive and Disposing of the Waste Product:

This product complies with EU WEEE Directive (2012/19/EU). This product bears a classification symbol for waste electrical and electronic equipment (WEEE).



This symbol indicates that this product shall not be disposed with other household wastes at the end of its service life. Used device must be returned to official collection point for recycling of electrical and electronic devices. To find these collection systems please contact to your local authorities or retailer where the product was purchased. Each household performs important role in recovering and recycling of old appliance. Appropriate disposal of used appliance helps prevent potential negative consequences for the environment and human health.

## 1.3 Compliance with RoHS Directive

The product you have purchased complies with EU RoHS Directive (2011/65/EU). It does not contain harmful and prohibited materials specified in the Directive.

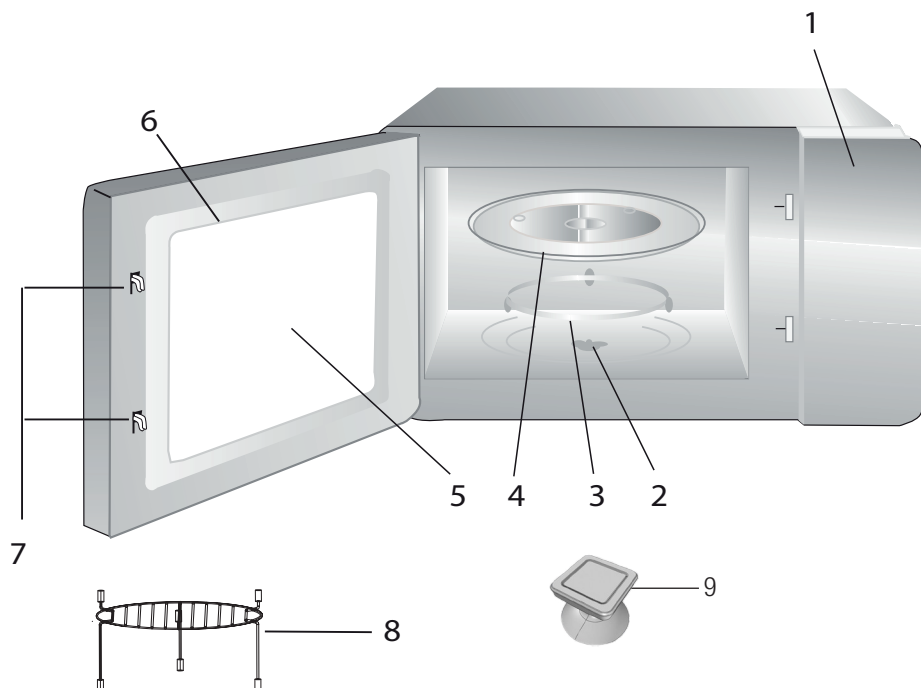
## 1.4 Package information



Packaging materials of the product are manufactured from recyclable materials in accordance with our National Environment Regulations. Do not dispose of the packaging materials together with the domestic or other wastes. Take them to the packaging material collection points designated by the local authorities.

## 2 Your microwave oven

### 2.1 Overview



### Controls and parts

1. Control panel
2. Turntable shaft
3. Turntable support
4. Glass tray
5. Oven window
6. Door group
7. Door safety interlock system
8. Grill rack (only to be used in grill function and placed on the glass tray)
9. Vacuum lifter for manual door opening

### 2.2 Technical data

<b>Power consumption</b>	230 V~50 Hz, 1450 W (Microwave) 1000 W (Grill)
<b>Output</b>	900 W
<b>Operating frequency</b>	2450 MHz
<b>External dimensions (H*W*D)</b>	388*595*400 mm
<b>Oven capacity</b>	25 litres
<b>Net weight</b>	18.5 kg

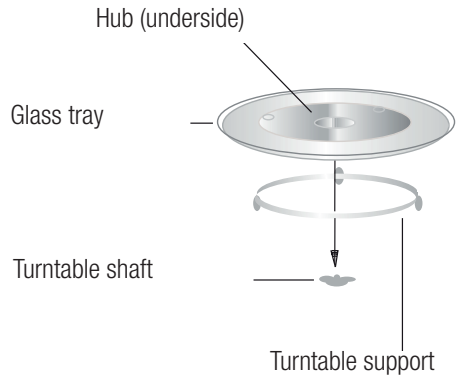
Technical and design modification rights are reserved.

Markings on the product or the values stated in other documents supplied with the product are values obtained under laboratory conditions as per relevant standards. These values may vary according to the usage of the appliance and ambient conditions. Power values are tested at 230V.

## 2 Your microwave oven

### 2.3 Installing the turntable

- Never place the glass tray upside down. The glass tray should never be restricted.
- Both glass tray and turntable support must always be used during cooking.
- All food and containers of food must always place on the glass tray for cooking.
- If glass tray or turntable support crack or break, contact your nearest authorized service center.



## 3 Installation and connection

### 3.1 Installation and connection

- Remove all packing material and accessories. Examine the oven for any damage such as dents or broken door. Do not install if oven is damaged.
- Remove any protective film found on the microwave oven cabinet surface.
- Do not remove the light brown Mica cover that is attached to the oven cavity to protect the magnetron.
- This appliance has been designed for domestic use only.
- This oven is intended for built-in use only. It is not intended for counter-top use or for use inside a cabinet.
- Please observe the special installation instructions.
- The appliance can be installed in a 60cm wide wall-mounted cabinet (at least 50 cm deep and 85 cm off the floor).
- The appliance is fitted with a plug and must only be connected to a properly installed grounded socket.

- The mains voltage must correspond to the voltage specified on the rating plate.
- If the plug is no longer accessible after installation, an all-pole isolating switch must be present on the installation side with a contact gap of at least 3 mm.
- Adapters, multi-way sockets and extension cords must not be used. Overloading can result with a risk of fire.



The accessible surface may be hot during operation.

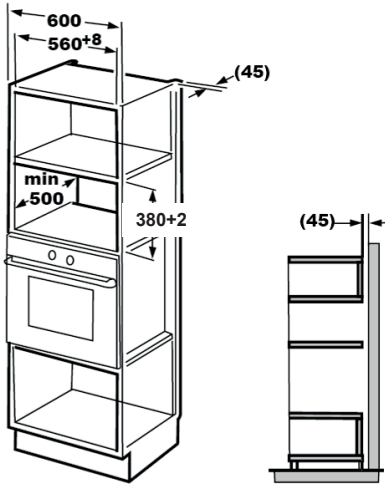


Do not trap or bend the power cable.

# 3 Installation and connection

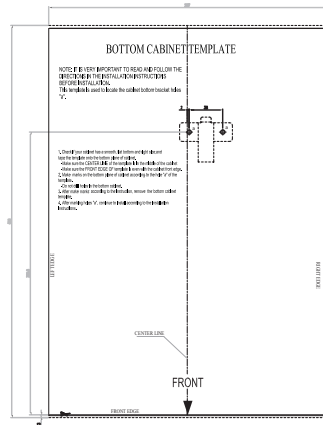
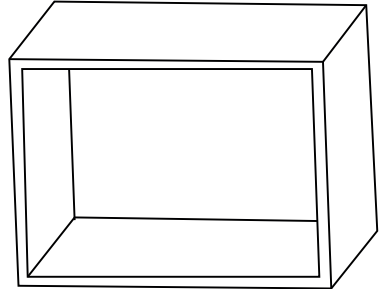
## 3.2 Built-in installation

### 3.2.1 Furniture dimensions for built-in installation



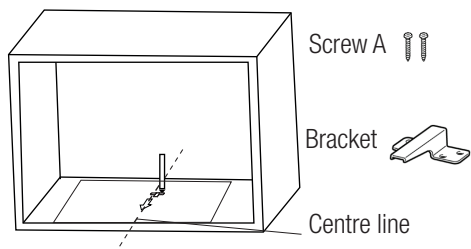
### 3.2.2 Preparing the cabinet

1. Read the instruction on the bottom cabinet template and put the template on the bottom plane of cabinet.

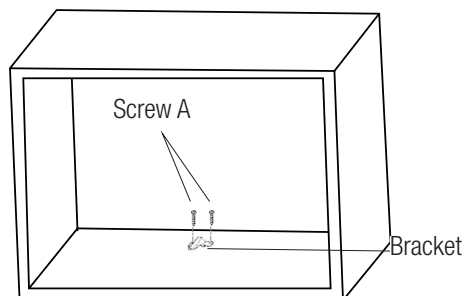


## 3 Installation and connection

2. Make the marks on the bottom plane of cabinet according to marks "a" of the template.



3. Remove the bottom cabinet template and fix the bracket with screw A.



### 3.2.3 Fixing the oven

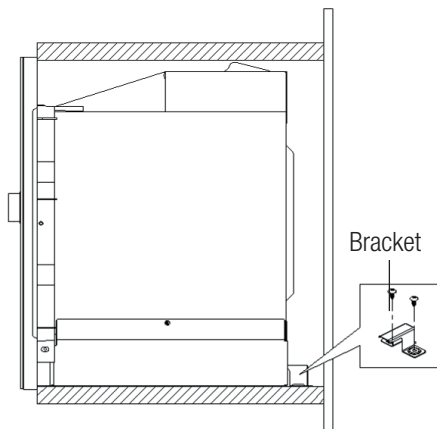
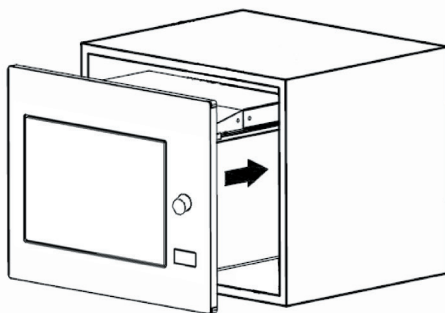
1. Install the oven into the cabinet.



Make sure the back of the oven is locked by bracket.

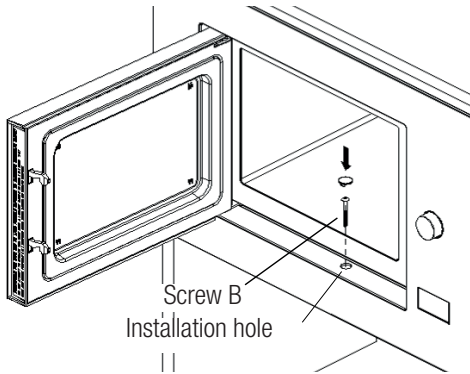


Do not trap or bend the power cable.



## 3 Installation and connection

2. Open the door, fix the oven to the cabinet with Screw B through the installation hole. Then fix the trim-kit plastic cover to the installation hole.



### 3.3 Radio interference



Operation of the microwave oven may cause interference on radios, TVs and similar appliances.

- Place the oven as far away from radios and TVs as possible. Operation of microwave oven may cause interference to your radio or TV reception.
- 2. Plug your oven into a standard household outlet. Be sure the voltage and the frequency is the same as the voltage and the frequency on the rating plate.
- In case of interference, it may be reduced or eliminated by taking the precautions given below:
- Clean the door and sealing surface of the oven.
- Set the antenna direction of the radio or TV again.
- Reposition the oven based on the location of the receiver.
- Place microwave oven away from the receiver.
- Plug the microwave oven to another outlet, thus microwave oven and receiver shall be on different lines.

### 3.4 Microwave cooking principles

- Prepare the food carefully. Place the remaining parts to the outside of the dish.
- Pay attention to the cooking time. Cook in the shortest time specified and add some more time if required. Overcooked food may cause smoke or may be burnt.
- Cover the food while cooking. Covering the food prevents any splashing and helps to ensure that food is cooked evenly.
- Turn over food such as poultry and hamburgers while cooking them in a microwave oven in order to accelerate cooking of this kind of food. Larger food such as roast must be turned over at least once.
- Turn food such as meatballs upside down in the middle of the cooking and replace them with each other from the center of the dish to the outside.

### 3.5 Grounding instructions

This appliance must be grounded. This oven has a grounding cable with a grounded plug. Appliance must be plugged to a wall outlet installed and grounded correctly. Grounding system allows a leak wire for the electrical current in case of a short circuit and reduces the risk of electric shock. We recommend using an electrical circuit dedicated to the oven. Operating with high voltage is dangerous and may cause fire or other accidents that would cause damage to the oven.



**WARNING:** Misuse of grounding plug may cause electric shock.



If you have any questions on grounding and electrical instructions, please consult a qualified electric technician or service personnel.

## 3 Installation and connection



Manufacturer and/or dealer would not accept any responsibility for injuries or damages on the oven that may occur when electrical connection procedures are not followed.

### 3.6 Utensil test

Never operate the microwave oven empty. The only exception is the utensil test described in the following section. Some certain non-metal utensils may not be suitable for using in microwave. If you are not sure whether your utensil is suitable for microwave, you can perform the following test.

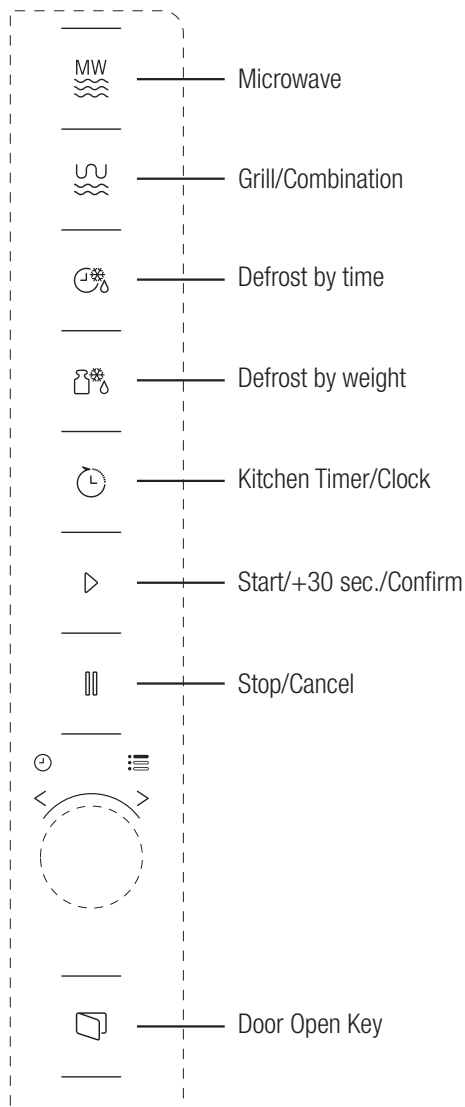
1. Place the empty utensil to be tested into the microwave oven together with a microwave-compatible glass filled with 250 ml water.
2. Operate the microwave oven at max power for 1 minute.
3. Check carefully the temperature of the utensil being tested. If it is warmed up, it is not suitable for use in microwave.
4. Never exceed the operating time limit of 1 minute. If you notice arcing during 1 minute of operation, stop the microwave. Utensils causing arcing are not suitable for use in microwave.

Following list is a general guide that would help you in selecting the right utensil.

<b>Cooking utensil</b>	<b>Microwave</b>	<b>Grill</b>	<b>Combination</b>
Heat-resistant glass	Yes	Yes	Yes
Non-heat-resistant glass	No	No	No
Heat-resistant ceramics	Yes	Yes	Yes
Plastic dish suitable for microwave oven	Yes	No	No
Paper kitchenware	Yes	No	No
Metal tray	No	Yes	No
Metal rack	No	Yes	No
Aluminum foil and foil covers	No	Yes	No
Foam materials	No	No	No

## 4 Operation

### 4.1 Control panel



### 4.2 Setting the time

When the microwave oven is energized, "0:00" will be displayed in LED screen and buzzer will ring once.

1. Press "Kitchen Timer/Clock" twice and the figures for hours will start flashing.
2. Turn "👉" to adjust the hour; the input value should be between 0 and 23.
3. Press "Kitchen Timer/Clock" and the figures for minutes will start flashing.
4. Turn "👉" to adjust the minutes; the input value should be between 0 and 59.
5. Press "Kitchen Timer/Clock" to finish time setting. ":" symbol will flash, and the time will light.



If you press "Stop/Cancel" during time setting, oven will automatically return back to previous mode.

### 4.3 Cooking with microwave oven

1. Press "Microwave" and "P100" will be displayed in LED screen.
2. Press "Microwave" again or turn "👉" to select the desired power. Each time you press the key, "P100, P80, P50, P30 or P10" will be displayed respectively.
3. Press "Start/+30 Sec./Confirm" to confirm and turn "👉" to set the cooking time to a value between 0:05 and 95:00.
4. Press "Start/+30 Sec./Confirm" again to start cooking.




**Example:** If you want to use 80% microwave power to cook for 20 minutes, you can operate the oven with the following steps.

5. Press "Microwave" once and "P100" will be displayed in the screen.
6. Press "Microwave" once again or turn "👉" to set 80% microwave power.



## 4 Operation

- Press “Start/+30 Sec./Confirm” to confirm and “P80” will be displayed in the screen.
- Turn “” to adjust the cooking time until the oven displays “20:00”.
- Press “Start/+30 Sec./Confirm” to start cooking.



The steps for adjusting the time in coding button are as below:

Setting the duration	Increment amount
0-1 minute	5 seconds
1-5 minutes	10 seconds
5-10 minutes	30 seconds
10-30 minutes	1 minute
30-95 minutes	5 minutes

### Microwave keypad instructions


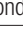
Order	Screen	Microwave Power
1	P100	100%
2	P80	80%
3	P50	50%
4	P30	30%
5	P10	10%

### 4.4 Cooking with grill or combination mode

- Press “Grill/Combination” and “G” will be displayed in LED screen. Press “Grill/Combination” repeatedly or turn “” to select the desired power. Each time you press the key, “G, C-1 or C-2” will be displayed respectively.
- Press “Start/+30 Sec./Confirm” to confirm and turn “” to set the cooking time to a value between 0:05 and 95:00.
- Press “Start/+30 Sec./Confirm” again to start cooking.



**Example:** If you want to use 55% microwave power and 45% grill power (C-1) to cook for 10 minutes, you can operate the oven with the following steps.

- Press “Grill/Combination” once and “G” will be displayed in the screen.
- Press “Grill/Combination” once again or turn “” to select the Combination 1 mode.
- Press “Start/+30 Sec./Confirm” to confirm and “C-1” will be displayed in the screen.
- Turn “” to adjust the cooking time until the oven displays “10:00”.
- Press “Start/+30 Sec./Confirm” to start cooking.

### “Grill/Combination” Keypad instructions

Order	Screen	Microwave power	Grill power
1	G	0%	100%
2	C-1	55%	45%
3	C-2	36%	64%



When half the grill time passes, the oven sounds twice, and this is normal. In order to have a better grilling effect, you should turn the food over, close the door, and then press “Start/+30 Sec./Confirm” to continue cooking. If no operation is performed, the oven will continue cooking.

### 4.5 Quick start

- In standby mode, press “Start/+30 Sec./Confirm” to start cooking with 100% microwave power. Each time you press the key, cooking time will increase until 95 minutes with steps of 30 seconds.

## 4 Operation

- In microwave oven cooking, grill and combination cooking or defrost by time modes, the cooking time will increase by 30 seconds each time you press "Start/+30 Sec./Confirm".
- In standby mode, turn "👉" counterclockwise to set the cooking time in order to start cooking with 100% microwave power and press "Start/+30 Sec./Confirm" to start cooking.



In auto menu and defrost by weight modes, pressing "Start/+30 Sec./Confirm" will not increase the cooking time.

### 4.6 Defrost by weight

- Press "Defrost by weight" for once.
- Turn "👉" to select the weight of food from 100 to 2000 g.
- Press "Start/+30 Sec./Confirm" to start defrost.

### 4.7 Defrost by time

- Press "Defrost by time" for once.
- Turn "👉" to select the defrost time. The maximum time is 95 minutes.
- Press "Start/+30 Sec./Confirm" to start defrost. Defrost power is P30 and cannot be changed.

### 4.8 Kitchen timer (counter)

Your oven is equipped with an automatic counter which is not linked with the oven functions and can be used separately at the kitchen ( it can be set to max. 95 minutes.)

- Press "Kitchen Timer/Clock" for once and 00:00 will be displayed in LED screen.
- Turn "👉" to enter the correct time.
- Press "Start/+30 Sec./Confirm" to confirm the setting.

- When the countdown from the entered time reaches to 00:00, the buzzer will ring for 5 times. If the time is set (24-hour system), current time will be displayed in LED screen.

Press "Stop/Cancel" to abort the timer at anytime.



Kitchen timer functions different than 24-hours system. Kitchen timer is just a timer.

### 4.9 Auto menu

- Turn "👉" clockwise to select the desired menu. Menus between "A-1 and A-8", namely pizza, meat, vegetable, pasta, potato, fish, beverage and popcorn, will be displayed.
- Press "Start/+30 Sec./Confirm" to confirm.
- Turn "👉" to choose the default weight in accordance with the menu chart.
- Press "Start/+30 Sec./Confirm" to start cooking.



**Example:** If you want to use "Auto Menu" to cook 350 g fish:

- Turn "👉" clockwise until "A-6" is displayed in the screen.
- Press "Start/+30 Sec./Confirm" to confirm.
- Turn "👉" to select the weight of fish until "350" is displayed in the screen.
- Press "Start/+30 Sec./Confirm" to start cooking.

#### Auto cooking menu

Menu	Weight	Screen
A-1 Pizza	200 g	200
	400 g	400
A-2 Meat	250 g	250
	350 g	350
	450 g	450

## 4 Operation




A-3 Vegetable	200 g	200
	300 g	300
	400 g	400
A-4 Pasta	50 g (with 450 ml cold water)	50
	100 g (with 800 ml cold water)	100
A-5 Potato	200 g	200
	400 g	400
	600 g	600
A-6 Fish	250 g	250
	350 g	350
	450 g	450
A-7 Beverage	1 glass (120 ml)	1
	2 glasses (240 ml)	2
	3 glasses (360 ml)	3
A-8 Popcorn	50 g	50
	100 g	100


### 4.10 Multi-step cooking

At most 2 steps can be set for cooking. In multi-step cooking, if one step is defrosting, then defrosting must be placed in the first step.



If you want to thaw food for 5 minutes and then cook with 80% microwave power for 7 minutes, perform the following steps:


1. Press “Defrost by time” for once.
2. Turn “” to select the defrost time until “5:00” is displayed in the screen.
3. Press “Microwave” once and “P100” will be displayed in the screen.
4. Press “Microwave” once again or turn “” to set 80% microwave power.
5. Press  (Start/+30Sec./Confirm) to confirm and “P80” will be displayed in the screen.

6. Turn “” to adjust the cooking time until the oven displays “7:00”.
7. Press “Start/+30Sec./Confirm” to start cooking. Buzzer will sound once for the first step and defrost time countdown will start. Buzzer will sound once again when entering the second cooking step. Buzzer will sound for 5 times at the end of cooking.


### 4.11 Query function

1. In microwave, grill and combination modes, press “Microwave” or “Grill/Combination” and the current power level will be displayed for 3 seconds. After 3 seconds, the oven will return to the previous mode.
2. While cooking, press “Kitchen Timer/Clock” and the current time will be displayed for 3 seconds.

### 4.12 Child lock

1. **Locking:** In standby mode, press “Stop/Cancel” for 3 seconds and a buzzer will sound indicating that the child lock is activated. If the time is already set, current time will also be displayed; otherwise “” will be displayed in the LED screen.
2. **Unlocking:** To disable the child lock, press “Stop/Cancel” for 3 seconds and a long “beep” will sound indicating that the child lock is disabled.

### 4.13 Opening the oven door

Press  (Open door) and the oven door will be opened.

## 5 Cleaning and maintenance

### 5.1 Cleaning



**WARNING:** Never use gasoline, solvent, abrasive cleaning agents, metal objects or hard brushes to clean the appliance.



**WARNING:** Never immerse the appliance or its power cable in water or in any other liquid.

1. Turn the appliance off and disconnect it from wall socket.
2. Wait for the appliance to completely cool down.
3. Keep the inside of the oven clean. Wipe with a damp cloth when splashed food or spilled liquids stick on the walls of the oven. A mild detergent may be used if the oven gets very dirty. Avoid using sprays and other harsh cleaning agents as they may cause stains, marks, and opaqueness on the door surface.
4. Outer surfaces of the oven must be cleaned with a damp cloth. Do not allow water ingress from ventilation openings to prevent damage to the operating parts in the oven.
5. Wipe both sides of the door and the glass, door gaskets and parts near the gaskets frequently with a damp cloth in order to remove the overflowing and splashing stains. Do not use abrasive cleaning agents.
6. Do not allow control panel to get wet. Clean with a soft damp cloth. Leave the door of the oven open to prevent inadvertent operation while cleaning the control panel.
7. If steam accumulates inside or around the oven door, wipe with a soft cloth. This may occur when the microwave oven is operated under high humidity conditions. It is normal.
8. In some cases, you may need to remove the glass tray for cleaning. Wash the tray in warm soapy water or in a dishwasher.
9. The roller ring and oven floor should be cleaned regularly to avoid excessive noise. It would be sufficient to wipe the lower surface of the oven with a mild detergent. Roller ring may be washed in warm soapy water or in a dishwasher. When you remove the roller ring from oven internal floor for cleaning, ensure that you install it in the correct position while replacing it.
10. In order to remove bad odors in your oven, put a glass of water and juice and peel of a lemon to a deep bowl suitable for use in microwave and operate the oven for 5 minutes in microwave mode. Wipe thoroughly and dry with a soft cloth.
11. Please contact the authorized service when the oven lamp needs to be replaced.
12. The oven should be cleaned regularly and any food deposits should be removed. If the oven is not kept clean, this may cause surface defects that would affect the lifecycle of the appliance negatively and that would possibly cause risks.
13. Please do not dispose this appliance with household waste; old ovens shall be disposed to special waste centers provided by the municipalities.
14. When the microwave oven is used in grill function, a small amount of smoke and odor may occur which will disappear after a certain time of usage.

### 5.2 Storage

- If you do not intend to use the appliance for a long time, please store it carefully.
- Please make sure that the appliance is unplugged, cooled down and totally dry.
- Store the appliance in a cool and dry place.
- Keep the appliance out of the reach of children

## 5 Cleaning and maintenance

### 5.3 Handling and transportation

- During handling and transportation, carry the appliance in its original packaging. The packaging of the appliance protects it against physical damages.
- Do not place heavy loads on the appliance or the packaging. The appliance may be damaged.
- Dropping the appliance will render it non-operational or cause permanent damage..

## 6 Troubleshooting

Normal	
Microwave oven interferes with TV reception	Radio and TV reception may be interfered when microwave oven is operating. It is similar to the interference caused by small electrical appliances, like mixer, vacuum cleaner, and electric fan. It is normal.
Oven light is dimmed	In low power microwave cooking, oven light may be dimmed. It is normal.
Steam accumulating on door, hot air coming out of vents	During cooking, steam may arise from the food. Most of this steam will get out from vents. But some may accumulate on a cool place like oven door. It is normal.
Oven started accidentally with no food in it.	It is not allowed to run the appliance without any food inside. It is very dangerous.

Problem	Possible Reason	Solution
Oven cannot be started.	1) Power cable is not plugged in properly.	Unplug. Then plug again after 10 seconds.
	2) Fuse is blown or circuit breaker is activated.	Replace fuse or reset circuit breaker (repaired by professional personnel of our company).
	3) Trouble with outlet.	Test the outlet with other electrical appliances.
Oven does not heat.	4) Door is not closed properly.	Close the door properly.
Glass turntable makes noise when microwave oven operates	5) Turntable and bottom of the oven is dirty.	Refer to "Cleaning and Maintenance" section to clean dirty parts.
Oven displays E-3 error and does not function	6) Oven door does not open (due to an obstruction in front of the door, low voltage and etc.)	Unplug. Then plug again after 10 seconds.

## Læs venligst denne brugsanvisning først!

Kære kunde

Tak fordi du foretrækker et Cylinda-produkt. Vi håber, at du får de bedste resultater fra dit produkt, der er fremstillet med høj kvalitet og avanceret teknologi. Læs derfor hele denne brugervejledning og alle andre medfølgende dokumenter omhyggeligt, før du bruger produktet, og opbevar det som reference til fremtidig brug. Hvis du overdrager produktet til en anden, så giv brugervejledningen med. Følg alle advarsler og oplysninger i brugermanualen.

### Betydning af symbolerne

Følgende symboler bruges i de forskellige afsnit i denne brugermanual:



Vigtig information eller nyttige tips om brug.



Advarsler om farlige situationer vedrørende sikkerhed og liv og ejendom.



Advarsel mod varme overflader.



Advarsel mod elektrisk stød.



Dette produkt er fremstillet i miljøvenlige moderne anlæg, uden at skade naturen.

---

# 1 Vigtige anvisninger vedrørende sikkerhed og miljø

**Vigtige sikkerhedsinstruktioner læses omhyggeligt og opbevares som fremtidig reference**

## 1.1 Sikkerhedsadvarsler

Dette afsnit indeholder sikkerhedsanvisninger, der vil hjælpe med at beskytte mod brand, elektrisk stød, udsættelse for lækket mikrobølgeenergi, risiko for personskade eller skade på ejendom. Hvis du ikke følger disse instruktioner, bliver garantien annulleret.

- Cylinda-mikrobølgeovne overholder de gældende sikkerhedsstandarder. I tilfælde af skade på apparatet eller strømkablet skal det derfor repareres eller udskiftes af forhandleren, servicecentret eller en specialist og autoriseret service for at undgå fare. Fejlagtigt eller ikke-kvalificeret reparationsarbejde kan medføre fare og forårsage risiko for brugeren.
- Dette apparat er beregnet til brug i husholdningen og lignende anvendelser såsom

- Personalekøkken, butiksområder, kontorer og andre arbejdsmiljøer,
- Landbrugsejendomme
- Kunder på hoteller, og andre boligmiljøer,
- Bed and breakfast-miljøer.
- Den er ikke beregnet til kommerciel eller industriel anvendelse.
- Forsøg ikke at starte ovnen, når døren er åben. Ellers kan du blive udsat for skadelig mikrobølgeenergi. Sikkerhedslåse må ikke deaktiveres eller manipuleres.
- Mikrobølgeovnen er beregnet til opvarmning af mad og drikkevarer. Tørring af mad eller beklædning og opvarmning af opvarmningspulver, hjemmesko, svampe, fugtig klud og lignende kan føre til risiko for personskade, antændelse eller brand.
- Anbring ingen genstande mellem forsiden og døren til ovnen. Lad ikke rester af snavs eller rengøringsmiddel opbygges på lukkeoverfladerne.

# 1 Vigtige anvisninger vedrørende sikkerhed og miljø

- Eventuelle servicearbejder, der involverer fjernelse af dækslet, der giver beskyttelse mod eksponering for mikrobølgeenergi, skal udføres af autoriserede personer/service. Enhver anden tilgang er farlig.
- Dit produkt er beregnet til madlavning, opvarmning og afrimning af mad derhjemme. Den må ikke bruges til andet formål.
- Din ovn er ikke designet til at tørre noget levende væsen.
- Brug ikke dit apparat til at tørre tøj eller køkkenhåndklæder.
- Brug ikke dette apparat udenørs, badeværelser, fugtige miljøer eller steder, hvor det kan blive vådt.
- Vi påtager os intet ansvar eller garanti for skader, der opstår som følge af forkert brug eller forkert håndtering af apparatet.
- Forsøg ikke at afmontere produktet. Ingen garantikrav accepteres for skader, der skyldes forkert håndtering.
- Brug kun de originale reservedele og/eller dele frigivet af producenten.
- Lad ikke apparatet være uden opsyn, mens det er tilsluttet.
- Brug altid apparatet på en stabil, flad, ren, tør og skridsikker overflade.
- Apparaterne er ikke beregnet til at blive betjent ved hjælp af en ekstern timer eller separat fjernbetjening.
- Før du anvender enheden for første gang, skal du fjerne alt emballage. Se detaljerne i afsnittet "Rengøring og vedligeholdelse".
- Brug kun apparatet til det tilsligtede formål som beskrevet i denne vejledning.
- Apparatet bliver meget varmt, mens det er i brug. Vær opmærksom på ikke at røre ved de varme dele inde i ovnen.
- Brug ikke ovnen tom.
- Køkkengrej kan blive varmt på grund af den varme, der overføres fra den opvarmede mad til redskabet. Du har muligvis brug for termohandsker for at holde redskabet.
- Redskaber skal kontrolleres for at sikre, at de er egnede til brug i mikrobølgeovne.



# 1 Vigtige anvisninger vedrørende sikkerhed og miljø

- Anbring ikke ovnen på komfurer eller andre varmegenererende apparater. Ellers kan det blive beskadiget, og garantien bortfalde.
- Der kan komme damp ud, mens du åbner dækslerne eller folien efter madlavning.
- Apparatet og dets tilgængelige overflader kan blive meget varmt, når apparatet er i brug.
- Dør og yderglas kan blive meget varmt, når apparatet er i brug.
- Sørg for, at din strømforsyning er i overensstemmelse med de oplysninger, der leveres på apparatets typeskilt.
- Den eneste måde at afbryde apparatet fra strømforsyningen er at fjerne stikket fra stikkontakten.
- Brug kun apparatet med en jordet stikkontakt.
- Brug ikke apparatet, hvis strømkablet eller selve apparatet er beskadiget.
- Brug ikke apparatet med en forlængerledning!
- Rør aldrig ved apparatet eller dets stik med fugtige eller våde hænder.
- Apparatet skal placeres, så stikket altid er tilgængeligt
- Undgå beskadigelse af strømkablet ved ikke at presse, bøje eller gnide det på skarpe kanter. Hold strømkablet væk fra varme overflader og åben ild.
- Sørg for, at der ikke er nogen fare for, at strømkablet ved et uheld kan trækkes, eller at nogen kan snuble over det, når apparatet er i brug.
- Tag stikket ud af stikkontakten før hver rengøring og når apparatet ikke er i brug.
- Træk ikke i strømkablet på apparatet for at fjerne det fra strømforsyningen, og vikl aldrig strømkablet rundt om apparatet.
- Nedsenk ikke apparatet, strømkablet eller strømstikket i vand eller andre væsker. Hold den ikke under rindende vand.
- Når du opvarmer mad i plast- eller papirbeholdere, skal du holde øje med ovnen på grund af muligheden for antændelse.
- Fjern trådstreng og / eller metalhåndtag af papir eller plastikposer, før du sætter poser i ovnen.

# 1 Vigtige anvisninger vedrørende sikkerhed og miljø

- Hvis der observeres røg, skal du slukke for apparatet eller tage stikket ud, hvis det er sikkert, og hold døren lukket for at kvæle flammer.
  - Brug ikke mikrobølgeovn til opbevaring. Efterlad ikke papirvarer, madlavningsmateriale eller mad inde i ovnen, når den ikke bruges.
  - Indholdet af sutteflasker og baby madbøtter bør omrøres eller rystes, og temperaturen kontrolleres inden forbrug for at undgå forbrændinger.
  - Dette apparat er et gruppe 2 ISM-udstyr af klasse B. Gruppe 2 indeholder alt ISM (industrielt, videnskabeligt og medicinsk) udstyr, hvor radiofrekvensenergi med vilje genereres og/eller bruges i form af elektromagnetisk stråling til behandling af materiale og gnisterosionsudstyr.
  - Klasse B-udstyr er velegnet til brug i hjemlige virksomheder og virksomheder, der er direkte tilsluttet et lavspændingsforsyningsnet.
  - Brug ikke madolie i ovnen. Varm olie kan beskadige ovnens komponenter og materialer, og det kan endda forårsage forbrændinger på huden.
  - Prik mad med tyk skorpe som kartofler, courgetter, æbler og kastanjer.
  - Apparatet skal placeres, så bagsiden vender mod væggen.
  - Inden du flytter apparatet, skal du sikre drejeskiven for at forhindre skader.
  - Æg i deres skal og hele hårdkogte æg må ikke opvarmes i mikrobølgeovne, da de kan eksplodere, selv efter at mikrobølgeopvarmningen er afsluttet.
- ADVARSEL:** Hvis døren eller dørforseglingen er beskadiget, må ovnen ikke betjenes, før den er repareret af en kompetent person.
- ADVARSEL:** Det er farligt for andre end en kompetent person at udføre enhver service eller reparation, der involverer fjernelse af et dæksel, der giver beskyttelse mod udsættelse for mikrobølgeenergi.

# 1 Vigtige anvisninger vedrørende sikkerhed og miljø

**ADVARSEL:** Væsker og andre fødevarer må ikke opvarmes i forseglede beholdere, da de kan eksplodere.

- Ovnen skal rengøres regelmæssigt, og eventuelle madaflejringer fjernes.
- Der skal være min 20 cm fri plads over ovnens øverste overflade.
- Maden må ikke koges for meget, ellers kan du forårsage brand.
- Brug ikke kemikalier og dampassisterede rengøringsmidler til at rengøre apparatet.
- Ekstrem forsigtighed tilrådes, når det bruges i nærheden af børn og personer, der er begrænset i deres fysiske, sensoriske eller mentale evner.
- Dette apparat kan bruges af børn i alderen 8 år eller derover og af personer, der har begrænset fysisk, sensorisk eller mental kapacitet, eller som ikke har viden og erfaring, så længe de overvåges med hensyn til sikker brug af produktet, eller de instrueres i overensstemmelse hermed eller forstår risikoen ved at bruge produktet. Børn bør ikke lege med produktet. Rengøring og brugervedligeholdelse må ikke foretages af børn uden opsyn.
- **Fare for kvælning!** Hold alle emballagematerialer utilgængelige for børn.
- På grund af overdreven varme, der opstår i grill- og kombinationstilstande, bør børn kun have tilladelse til at bruge disse tilstande under opsyn af en voksen.
- Opbevar produktet og dets strømkabel, så de er utilgængelige for børn under 8 år.
- Tilbered ikke mad direkte på glasbakken. Læg maden i/på passende køkkenredskaber, inden du sætter dem i ovnen.

# 1 Vigtige anvisninger vedrørende sikkerhed og miljø

- Metalbeholdere til mad og drikke er ikke tilladt i mikrobølgeovn. Ellers kan der opstå gnister.
- Mikrobølgeovnen må ikke placeres i et skab, der ikke overholder installationsvejledningen.
- Mikrobølgeovn er kun beregnet til indbygget brug.
- Hvis indbyggede apparater, der bruges lige på eller højere end 900 mm over gulvet, skal man passe på ikke at forskyde drejeskiven, når beholdere fjernes fra apparatet.
- Hvis det indbyggede produkt er i et skab med en dør, skal produktet betjenes med skabsdøren åben.

## 1.2 Overholdelse af WEEE-direktivet og bortskaffelse af affald:

Dette produkt er i overensstemmelse med WEEE-direktiv (2012/19/EU). Dette produkt bærer et symbol for klassificering af bortskaffelse af elektrisk og elektronisk udstyr (WEEE).



Dette symbol indikerer, at dette produkt ikke må bortskaffes sammen med almindeligt husholdningsaffald, når slutningen på dets levetid er nået.

Brugte apparater skal indleveres på en offentlig genbrugsplads til elektriske og elektroniske apparater.

Kontakt din kommune eller forhandleren af produktet for at finde ud af, hvor disse genbrugsp-ladser ligger. Alle husholdninger spiller en vigtig rolle i forhold til genanvendelse og genbrug af gamle produkter. Korrekt bortskaffelse af brugte apparater hjælper med at beskytte mod potentielt negative konsekvenser for miljøet og mennesker.

## 1.3 Overholdelse af RoHS-direktivet:

Det produkt, du har købt, er i overensstemmelse med EU RoHS-direktivet (2011/65/EU). Det indeholder ikke skadelige og forbudte materialer angivet i direktivet.

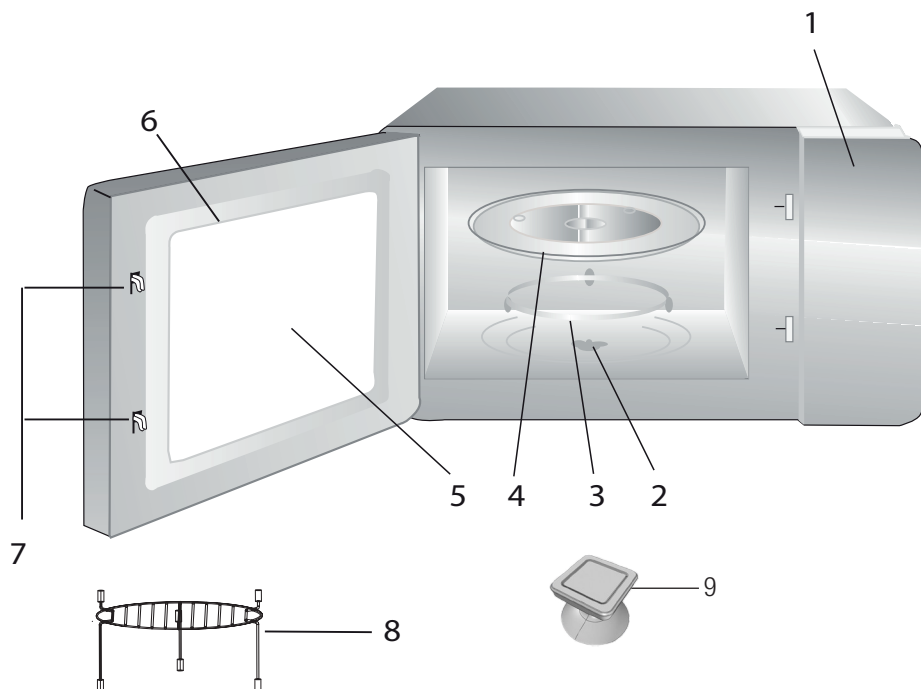
## 1.4 Information om emballagen



Produktets emballage er fremstillet fra genbrugsmaterialer i overensstemmelse med nationale miljølove. Smid ikke emballagen sammen med husholdningsaffald eller andet affald. Tag den til indsamlingssted for emballage, som er udpeget af lokale myndigheder.

## 2 Din mikrobølgeovn

### 2.1 Oversigt



### Kontroller og dele

1. Betjeningspanel
2. Aksel til drejetallerken
3. Støtte til drejetallerken
4. Glasbakke
5. Ovnvindue
6. Dørgruppe
7. Dørens sikkerhedslåsesystem
8. Grillrist (må kun bruges med grillfunktion og skal placeres på glasbakken)
9. Vakuumløfter til manuel åbning af dør

### 2.2 Tekniske data

<b>Strømforbrug</b>	230 V~50 Hz, 1450 W (mikrobølge) 1000 W (grill)
<b>Udgangseffekt</b>	900 W
<b>Drifts-frekvens</b>	2450 MHz
<b>Udvendige mål (H*B*D)</b>	388*595*400 mm
<b>Ovnens kapacitet</b>	25 liter
<b>Nettovægt</b>	18,5 kg

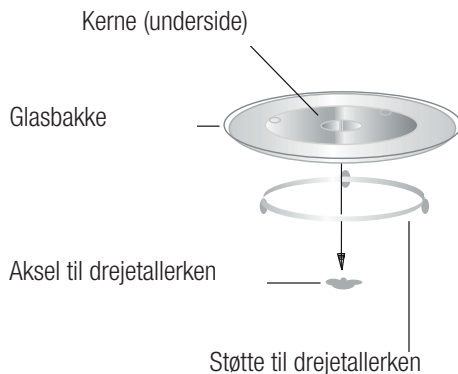
Tekniske og designændrings rettigheder er forbeholdt.

Markeringer på produktet eller værdierne i andre dokumenter, der følger med produktet, er værdier opnået under laboratorieforhold efter relevante standarder. Sådanne værdier kan variere afhængigt af brugen af apparatet og de omgivende betingelser. Effektivværdier er testet ved 230 V.

## 2 Din mikrobølgeovn

### 2.3 Montering af drejetallerken

- Placer aldrig glasbakken på hovedet. Glasbakke skal altid kunne bevæge sig frit.
- Både glasbakken og støtten til drejetallerkenen skal altid bruges ved tilberedning.
- Alle fødevarer og fødevarer beholdere skal altid placeres på glasbakken under tilberedningen.
- Hvis glasbakken eller drejetallerkenen revner eller går itu, skal du kontakte det nærmeste autoriserede servicecenter.



## 3 Montering og tilslutning

### 3.1 Montering og tilslutning

- Fjern alt indpakningsmateriale og tilbehør. Undersøg, om ovnen har nogen skader såsom buler eller en beskadiget dør. Monter ikke ovnen, hvis den er beskadiget.
- Fjern al beskyttelsesfilm, der findes på overfladen af mikrobølgeovnens kabinet.
- Ikke fjern det lysbrune Mica-låg, der er monteret på ovnåbningen for at beskytte magnetronen.
- Dette apparat er udelukkende beregnet til brug i hjemmet.
- Denne ovn er udelukkende beregnet til indbygget brug. Den er ikke beregnet til fritstående brug eller til brug i et skab.
- Følg de særlige monteringsanvisninger.
- Apparatet kan monteres i et 60 cm bredt vægmonteret skab (mindst 50 cm dybt og 85 cm over gulvhøjde).

- Apparatet monteres med et stik og må kun sluttes til en korrekt monteret stikkontakt med jordforbindelse.
- Netspændingen skal svare til den spænding, der er angivet på typepladen.
- Hvis stikket ikke længere er tilgængeligt efter monteringen, skal der findes en ledningsadskiller til samtlige poler på monteringsiden med et kontaktmellemrum på mindst 3 mm.
- Der må ikke benyttes adaptere, multistikdåser eller forlængerledninger. Overbelastning kan medføre brandrisiko.



Den tilgængelige overflade kan være varm under brug.

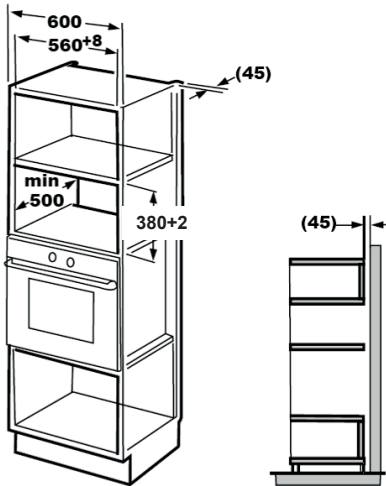


Strømkablet må ikke klemmes eller bøjes.

# 3 Montering og tilslutning

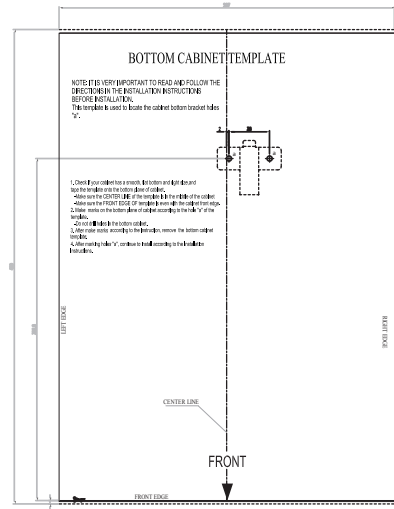
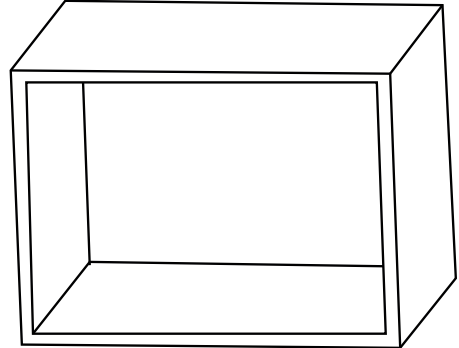
## 3.2 Indbygget montering

### 3.2.1 Møblernes dimensioner ved indbygget montering



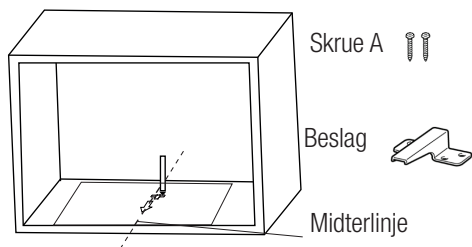
### 3.2.2 Klargøring af skabet

1. Læs anvisningerne på bunden af skabelonen til skabets bund, og placer skabelonen på skabets bundplade.

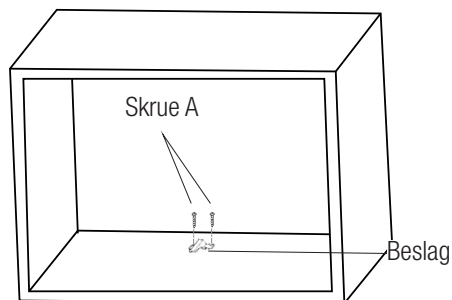


## 3 Montering og tilslutning

2. Markér mærkerne på skabets bundplade i overensstemmelse med mærkerne "a" på skabelonen.



3. Fjern skabelonen til skabets bund, og fastgør beslaget med skrue A.



### 3.2.3 Fastgørelse af ovnen

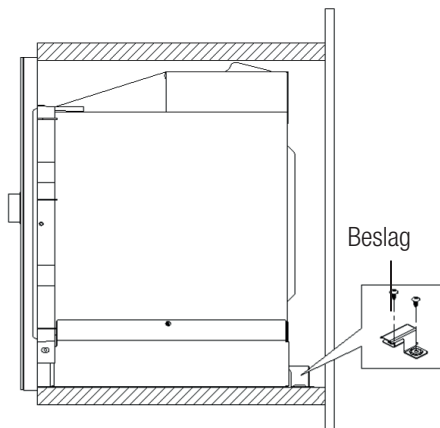
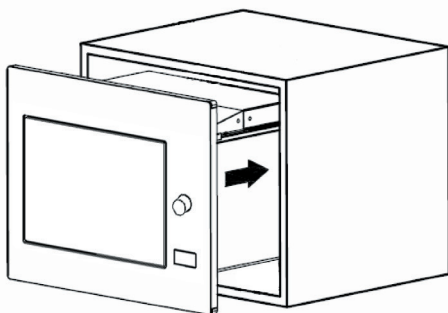
1. Monter ovnen i skabet



Sørg for, at ovnens bagside er fastgjort med beslaget.



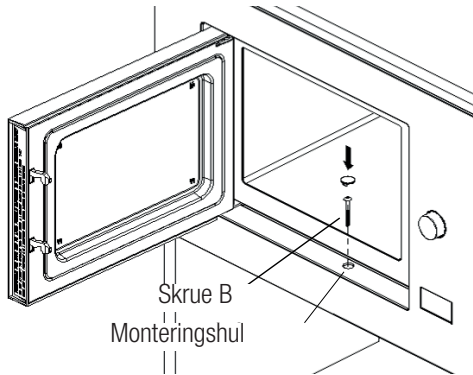
Strømkablet må ikke klemmes eller bøjes.





## 3 Montering og tilslutning

2. Åbn døren, fastgør ovnen i skabet med skrue B gennem monteringshullet. Fastgør derefter plastikdækslet fra trim-kittet i monteringshullet.



### 3.3 Radiointerferens



Betjening af mikrobølgeovnen kan forårsage interferens på radioer, fjernsyn og lignende apparater.

- Placer ovnen så langt væk fra radio- og tv-apparater som muligt. Betjeningen af mikrobølgeovnen kan medføre forstyrrelser i din radio- eller tv-modtagelse. 2. Tilslut ovnen til en standardstikkontakt. Sørg for, at spændingen og frekvensen er den samme som spændingen og frekvensen på typepladen.
- I tilfælde af interferens, kan det reduceres eller elimineres ved at tage følgende forholdsregler:
- Rengør ovnens dør og tætninger.
- Indstil radioen eller tv-antennenretningen igen.
- Placer ovnen på ny baseret på modtagerens placering.
- Anbring mikrobølgeovnen væk fra modtageren.
- Tilslut mikrobølgeovnen til en anden stikkontakt, hvor mikrobølgeovnen og modtageren bruger forskellige linjer.

### 3.4 Principper for madlavning med mikrobølger

- Klargør fødevarerne omhyggeligt. Placer de resterende dele yderst på tallerkenen.
- Hold øje med tilberedningstiden. Kog på den kortest angivne tid, og tilføj lidt mere tid, hvis det kræves. Fødevarer, der tilberedes for længe, kan begynde at ryge eller brænde på.
- Tildæk maden under tilberedningen. Tildækning af maden forhindrer sprøjt og hjælper med at sikre, at maden varmes jævnt.
- Vend fødevarer, såsom fjerkræ og hamburgere, mens de tilberedes i mikrobølgeovnen, for at fremskynde tilberedningen. Større retter, som f.eks. steg, skal vendes mindst én gang.
- Vend fødevarer, såsom frikadeller, midt under tilberedningen, og flyt dem rundt på tallerkenen (flyt dem i midten yderst og vice versa).

### 3.5 Anvisninger til jordforbindelse

Apparatet skal jordforbindes. Denne ovn har et jordkabel med et jordstik. Apparatet skal tilsluttes en stikkontakt, der er monteret og jordet korrekt. Jordforbindelsen giver den elektriske strøm et afledningskabel i tilfælde af kortslutning og reducerer risikoen for elektrisk stød. Vi anbefaler at bruge et elektrisk kredsløb udelukkende dedikeret til ovnen. Betjening med høj spænding er farlig og kan forårsage brand eller andre ulykker, som kan beskadige ovnen.



**ADVARSEL:** Forkert brug af jordstik kan forårsage elektrisk stød.



Hvis du har spørgsmål om jording og el-vejledning, skal du kontakte en kvalificeret elektriker eller servicepersonale.

## 3 Montering og tilslutning



Producent og/eller forhandler er ikke ansvarlig for personskader eller skader på ovnen, der opstår som følge af, at procedurerne for elektriske tilslutning ikke er fulgt.

### 3.6 Test af spiseredskaber

Brug aldrig mikrobølgeovnen, når den er tom. Den eneste undtagelse er ved test af spiseredskaber, som beskrives i følgende afsnit. Visse typer spiseredskaber, som ikke er af metal, er muligvis uegnet til brug i mikrobølgeovn. Hvis du ikke er sikker på, om dine spiseredskaber er egnede til mikrobølgeovn, kan du gennemføre følgende test.

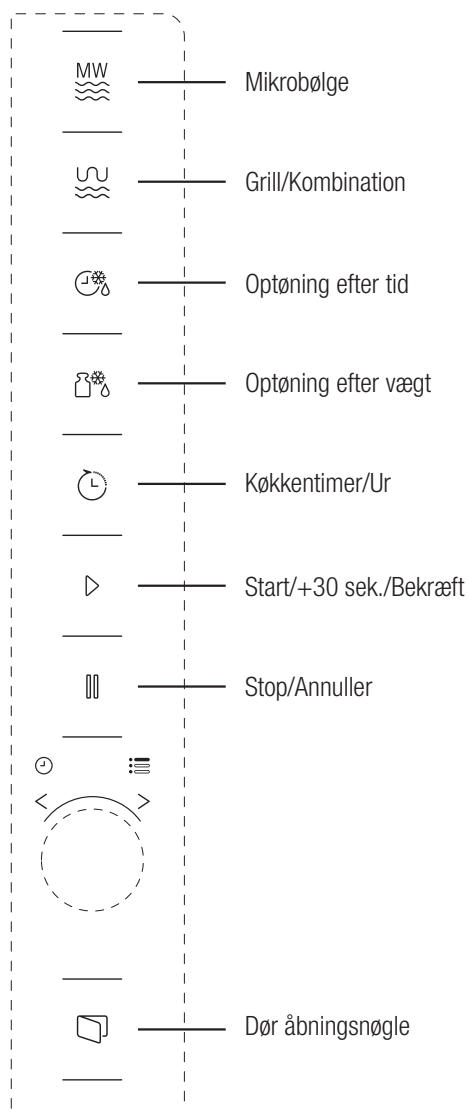
1. Placer de tomme spiseredskaber, der skal testes, i ovnen sammen med et mikrobølgeovnsegnet glas, der er fyldt med 250 ml vand.
2. Tænd mikroovnen ved maksimal effekt i 1 minut.
3. Kontrollér omhyggeligt temperaturen på det testede spiseredskaber. Hvis det er varmt, er det ikke egnet til brug i mikrobølgeovn.
4. Lad aldrig ovnen køre længere end grænsen på 1 minut. Hvis du bemærker, at spiseredskaberne begynder at bøje i løbet af 1 minut, skal du slukke mikrobølgeovnen. Spiseredskaber, der begynder at bøje, er ikke egnede til brug i mikrobølgeovn.

Følgende liste er en generel vejledning, der hjælper dig med at vælge de rigtige spiseredskaber.

Spiseredskaber	Mikrobølge	Grill	Kombination
Varmeresistent glas	Ja	Ja	Ja
Ikke-varmeresistent glas	Nej	Nej	Nej
Varmeresistent porcelæn	Ja	Ja	Ja
Plastskål egnet til mikrobølgeovn	Ja	Nej	Nej
Køkkenudstyr af papir	Ja	Nej	Nej
Metalbakke	Nej	Ja	Nej
Metalstativ	Nej	Ja	Nej
Aluminiumsfolie og folier	Nej	Ja	Nej
Skummaterialer	Nej	Nej	Nej

## 4 Betjening

### 4.1 Betjeningspanel



### 4.2 Indstilling af tiden

Når mikrobølgeovnen er tændt, står der "0:00" på LED-skærmen, og alarmen ringer én gang.

1. Tryk på "Køkkentimer/Ur" to gange, så begynder timetallet at blinke.
2. Drej på "💡" for at justere antallet af timer. Den angivne tid skal være mellem 0 og 23.
3. Tryk på "Køkkentimer/Ur", så begynder minut-tallene at blinke.
4. Drej på "💡" for at justere minutterne. Den angivne tid skal være mellem 0 og 59.
5. Tryk på "Køkkentimer/Ur" for at afslutte indstillingen af tiden. Symbolet ":" blinker, og tiden begynder at lyse.



Hvis du trykker på "Stop/Annuller" under tidsindstillingen, vender ovnen automatisk tilbage til den foregående tilstand.

### 4.3 Madlavning med mikrobølgeovn



1. Tryk på "Mikrobølge", så vises "P100" på LED-skærmen.
2. Tryk på "Mikrobølge" igen, eller drej på "💡" for at vælge den ønskede effekt. Hver gang du trykker på tasten, vises henholdsvis "P100, P80, P50, P30 eller P10".
3. Tryk på "Start/+30 sek./Bekræft" for at bekræfte, og drej på "💡" for at indstille tilberedningstiden til et interval mellem 0:05 og 95:00.
4. Tryk på "Start/+30 sek./Bekræft" igen for at begynde tilberedningen.



**Eksempel:** Hvis du vil bruge 80 % mikrobølgeenergi til tilberedning i 20 minutter, kan du benytte følgende fremgangsmåde på ovnen.

5. Tryk på "Mikrobølge", så vises "P100" på LED-skærmen.

## 4 Betjening

- Tryk på "Mikrobølge" igen, eller drej på " " for at vælge 80 % mikrobølgeenergi.
- Tryk på "Start/+30 sek./Bekræft" for at bekræfte, så vises "P 80" på skærmen.
- Drej på " " for at justere tilberedningstiden, indtil ovnen viser "20:00".
- Tryk på "Start/+30 sek./Bekræft" for at begynde tilberedningen.



**Benyt nedenstående fremgangsmåde for at justere tiden med kodeknappen:**

Indstilling af varigheden	Stigning
0-1 minut	5 sekunder
1-5 minutter	10 sekunder
5-10 minutter	30 sekunder
10-30 minutter	1 minut
30-95 minutter	5 minutter

**Anvisninger til mikrobølgeovnens tastatur**



Rækkefølge	Skærm	Mikrobølge energi
1	P10	100 %
2	P8	80 %
3	P5	50 %
4	P3	30 %
5	P1	10 %

### 4.4 Madlavning med grill- eller kombinationsfunktion

- Tryk på "Grill/Kombination", så vises "G" på LED-skærmen. Tryk på "Grill/Kombination" flere gange, eller drej på " " for at vælge den ønskede effekt. Hver gang du trykker på tasten "G", vises henholdsvis "G, C-2 eller C-2".
- Tryk på "Start/+30 sek./Bekræft" for at bekræfte, og drej på " " for at indstille tilberedningstiden til et interval mellem 0:05 og 95:00.
- Tryk på "Start/+30 sek./Bekræft" igen for at begynde tilberedningen.



**Eksempel:** Hvis du vil bruge 55 % mikrobølgeenergi og 45 % grill-effekt (C-1) til tilberedning i 10 minutter, kan du benytte følgende fremgangsmåde på ovnen.

- Tryk på "Grill/Kombination" én gang, så vises "G" på skærmen.
- Tryk på "Grill/Kombination" igen én gang, eller drej på " " for at vælge funktionen Kombination 1.
- Tryk på "Start/+30 sek./Bekræft" for at bekræfte, så vises "C-1" på skærmen.
- Drej på " " for at justere tilberedningstiden, indtil ovnen viser "10:00".
- Tryk på "Start/+30 sek./Bekræft" for at begynde tilberedningen.

**Anvisninger til tastatur (grill/kombination)**

Rækkefølge	Skærm	Mikrobølge energi	Grill strøm
1	G	0 %	100 %
2	C-1	55 %	45 %
3	C-2	36 %	64 %



Når halvdelen af grilltiden er gået, afgiver ovnen en lydalarm to gange, hvilket er normalt. For at opnå en bedre grilleffekt bør du vende maden, lukke døren og derefter trykke på "Start/+30 sek./Bekræft" for at fortsætte tilberedningen. Hvis du ikke vælger noget, fortsætter ovnen tilberedningen.

### 4.5 Hurtig start

- Når ovnen er i standbytilstand, skal du trykke på "Start/+30 sek./Bekræft" for at starte tilberedning med 100 % mikrobølgeenergi. Hver gang du trykker på tasten, øges tilberedningstiden med 30 sekunder op til 95 minutter.

## 4 Betjening

2. Ved brug af tidsfunktionen til tilberedning med mikroovn, grill- og kombinationsfunktionen eller optøning øges tilberedningstiden med 30 sekunder, hver gang du trykker på "Start/+30 sek./Bekræft".
3. I standbytilstand skal du dreje "👉" mod urets retning for at indstille tilberedningstiden for tilberedning ved 100 % mikrobølgeenergi. Tryk på "Start/+30 sek./Bekræft" for at starte tilberedningen.
2. Drej på "👉" for at angive det korrekte klokkeslæt.
3. Tryk på "Start/+30 sek./Bekræft" for at bekræfte indstillingen.
4. Når nedtællingen fra den angivne tid når til 00:00, lyder alarmen 5 gange. Hvis tiden er indstillet (24-timerssystemet), viser LED-skærmen, hvad klokken er.

Tryk på "Stop/Annuller" når som helst for at afbryde timeren.



Når funktionerne automatisk menu og optøning efter vægt er valgt, øges tilberedningstiden ikke, når du trykker på "Start/+30 sek./Bekræft".



Køkkentimeren fungerer anderledes end 24-timerssystemet. Køkkentimeren er bare en timer.

### 4.6 Optøning efter vægt

1. Tryk på "Optøning efter vægt" én gang.
2. Drej på "👉" for at vælge madens vægt mellem 100 og 2000 g.
3. Tryk på "Start/+30 sek./Bekræft" for at begynde optøningen.

### 4.7 Optøning efter tid

1. Tryk på "Optøning efter tid" én gang.
2. Drej på "👉" for at vælge optøningstiden. Den længste varighed er 95 minutter.
3. Tryk på "Start/+30 sek./Bekræft" for at begynde optøningen. Optøningseffekten er P30 og kan ikke ændres.

### 4.8 Køkkentimer (tæller)

Ovnens er forsynet med en automatisk tæller, der ikke er knyttet til ovnens funktioner og kan bruges i køkkenet separat (den kan indstilles til maks. 95 minutter).

1. Tryk på "Køkkentimer/Ur" én gang, så vises 00:00 på LED-skærmen.

### 4.9 Automatisk menu

1. Drej "👉" med uret for at vælge den ønskede menu. Der vises menuer fra "A-1 til A-8", som er pizza, kød, grønsager, pasta, kartoffel, fisk, drikkevarer og popcorn.
2. Tryk på "Start/+30 sek./Bekræft" for at bekræfte indstillingen.
3. Drej på "👉" for at vælge standardvægten i overensstemmelse med menu-diagrammet.
4. Tryk på "Start/+30 sek./Bekræft" for at begynde tilberedningen.



**Eksempel:** Gør følgende, hvis du vil bruge "Automatisk menu" til tilberedning af 350 g fisk:

1. Drej "👉" med uret, indtil "A-6" vises på skærmen.
2. Tryk på "Start/+30 sek./Bekræft" for at bekræfte indstillingen.
3. Drej på "👉" for at vælge fiskens vægt, indtil der vises "350" på skærmen.
4. Tryk på "Start/+30 sek./Bekræft" for at begynde tilberedningen.

## 4 Betjening

### Menu for automatisk tilberedning

Menu	Vægt	Skærm
A-1 Pizza	200 g	200
	400 g	400
A-2 Kød	250 g	250
	350 g	350
	450 g	450
A-3 Grønsager	200 g	200
	300 g	300
	400 g	400
A-4 Pasta	50 g (med 450 ml koldt vand)	50
	100 g (med 800 ml koldt vand)	100
A-5 Kartoffel	200 g	200
	400 g	400
	600 g	600
A-6 Fisk	250 g	250
	350 g	350
	450 g	450
A-7 Drikkevarer	1 glas (120 ml)	1
	2 glas (240 ml)	2
	3 glas (360 ml)	3
A-8 Popcorn	50 g	50
	100 g	100

### 4.10 Madlavning i flere trin

Der kan højst angives to tilberedningstrin. Hvis der i forbindelse med madlavning i flere trin indgår optøning, skal optøning være det første trin.



Hvis du vil tømme op i 5 minutter og derefter tilberede maden ved 80 % mikrobølgeenergi i 7 minutter, skal du benytte følgende fremgangsmåde:

1. Tryk på "Optøning efter tid" én gang.
2. Drej på "👉" for at vælge optøningstiden, indtil der vises "5:00" på skærmen.
3. Tryk på "Mikrobølge", så vises "P100" på LED-skærmen.
4. Tryk på "Mikrobølge" igen, eller drej på "👉" for at vælge 80 % mikrobølgeenergi.
5. Tryk på "Start/+30 sek./Bekræft" for at bekræfte, så vises "P 80" på skærmen.
6. Drej på "👉" for at justere tilberedningstiden, indtil ovnen viser "7:00".
7. Tryk på "Start/+30 sek./Bekræft" for at begynde tilberedningen. Alarmen lyder én gang, når første trin påbegyndes, og nedtællingen for optøning begynder. Alarmen lyder igen, når det andet tilberedningstrin påbegyndes. Alarmen lyder fem gange, når tilberedningen er afsluttet.

### 4.11 Forespørgselsfunktion


1. Ved brug af mikrobølge-, grill- og kombinationsfunktioner skal du trykke på "Mikrobølge" eller "Grill/Kombination" for at få vist det aktuelle energiniveau i 3 sekunder. Efter 3 sekunder vender ovnen tilbage til den foregående tilstand.
2. Under tilberedningen skal du trykke på "Køkkentimer/Ur" for at få vist det aktuelle klokkeslæt i 3 sekunder.

### 4.12 Børnelås

1. **Aktivering af lås:** I standby-tilstand skal du trykke på "Stop/Annuller" i 3 sekunder. Alarmen angiver, at børnelåsen er aktiveret. Hvis tiden allerede er indstillet, vises det aktuelle klokkeslæt også. Ellers vises "🔒" på LED-skærmen.
2. **Deaktivering af lås:** Deaktiver børnelåsen ved at trykke på "Stop/Annuller" i 3 sekunder. Der lyder et langt "bip", som angiver, at børnelåsen er deaktiveret.

## 4 Betjening

### 4.13 Åbning af ovndøren

Tryk på  (Åbn dør), så åbnes ovndøren.

## 5 Rengøring og vedligeholdelse

### 5.1 Rengøring



**ADVARSEL:** Brug aldrig benzin, opløsningsmidler, skurerengøringsmidler, metalgenstande eller hårde børster til at rengøre apparatet.



**ADVARSEL:** Apparatet og strømablet må aldrig lægges i vand eller anden væske.

1. Sluk for maskinen, og træk stikket ud af stikkontakten.
2. Lad apparatet køle helt ned.
3. Hold indersiden af ovnen ren. Tør med en fugtig klud, når der er sprøjtet mad eller spildt væske på væggene i ovnen. Et mildt vaskemiddel kan anvendes, hvis ovnen bliver meget beskidt. Undgå at bruge sprays og andre kraftige rengøringsmidler, da de kan forårsage pletter, mærker og uigennemsihtighed på dørens overflade.
4. Ovnens overflader skal rengøres med en fugtig klud. Lad ikke vand trænge ind fra ventilationsåbningerne for at undgå skader på driftsdele i ovnen.
5. Tør ofte begge sider af døren og glasset, dørpakninger og dele nær pakningerne med en fugtig klud for at fjerne pletter fra spildt eller stænket mad. Undlad at bruge slibende rengøringsmidler.
6. Lad ikke kontrolpanelet blive vådt. Rengør med en fugtig, blød klud. Lad ovndøren stå åben for at forhindre, at ovnen utilsigtet tændes, mens du rengør kontrolpanelet.
7. Hvis damp samles i eller omkring ovndøren, skal den aftørres med en blød klud. Dette kan forekomme, når mikrobølgeovnen betjenes under betingelser med høj fugtighed. Det er ganske normalt.
8. Sommetider kan det være nødvendigt at tage glasbakken ud for at rengøre den. Vask bakken med varmt opvaskevand eller i opvaskemaskine.
9. Rulleringen og ovnens indvendige bund skal rengøres regelmæssigt for at undgå støj. Det er tilstrækkeligt at aftørre overfladen i bunden af ovnen med et mildt rengøringsmiddel. Rulleringen kan vaskes i varmt opvaskevand eller i en opvaskemaskine. Når du tager rulleringen op fra bunden af ovnen i forbindelse med rengøring, skal du sørge for at placere den rigtigt, når du sætter den tilbage i ovnen igen.
10. Hvis du vil fjerne dårlig lugt i ovnen, skal du sætte et glas varmt vand samt en skål med saften og skallen fra en citron i ovnen og tænde ovnen i 5 minutter på mikrobølgefunktion. Aftør, og tør den grundigt af med en blød klud.
11. Kontakt det autoriserede servicecenter, når ovenlampen skal udskiftes.
12. Ovnen skal rengøres jævnligt, og eventuelle madrester skal fjernes. Hvis ovnen ikke holdes ren, kan det medføre defekter i overfladen, som påvirker apparatets levetid negativt, og det kan eventuelt medføre risici.
13. Bortskaf ikke dette apparat sammen med husholdningsaffald. Brugte ovne skal indleveres på genbrugsstationer, der stilles til rådighed af lokale myndigheder.

## 5 Rengøring og vedligeholdelse

---

14. Når mikrobølgeovnen bruges med grillfunktion, kan der i mindre omfang forekomme røg og lugt, som forsvinder efter en vis tids brug.

### 5.2 Opbevaring

- Hvis du ikke skal bruge apparatet i en længere periode, skal det opbevares med omtanke.
- Sørg for, at apparatet ikke er sluttet til strøm, er kølet helt ned og er helt tørt.
- Opbevar apparatet på et tørt og køligt sted.
- Hold apparatet uden for børns rækkevidde.

### 5.3 Håndtering og transport

- Under håndtering og transport skal apparatet bæres i den originale emballage. Apparatets emballage beskytter det mod fysiske skader.
- Placer ikke tunge ting på apparatet eller emballagen. Apparatet kan blive beskadiget.
- Hvis apparatet tabes, vil det miste funktionsevne eller lide permanent skade.



## 6 Problemløsning

Normal	
Mikrobølgeovnen forstyrrer modtagelsen af tv-signal	Modtagelsen af radio- og tv-signal kan blive forstyrret, når mikrobølgeovnen er tændt. Det minder om de forstyrrelser, der opstår ved brug af mindre, elektriske apparater som f.eks. håndmiksere, støvsugere og elektriske blæsere. Det er ganske normalt.
Ovnlyset dæmpes	Ved tilberedning med lav mikrobølgeenergi kan ovnlyset blive dæmpet. Det er ganske normalt.
Damp samles på døren, og der kommer varm luft ud af ventilationskanalerne	Under tilberedningen kan der komme damp fra fødevarerne. Det meste af denne damp siver ud af ventilationskanalerne. En del af den kan dog samle sig på et køligt sted som f.eks. ovndøren. Det er ganske normalt.
Ovnen blev startet ved en fejl, uden der var mad i den.	Det er ikke tilladt at starte apparatet uden mad i. Det er meget farligt.

Problem	Mulig årsag	Løsning
Ovnen kan ikke startes.	1) Strømkablet er ikke sat korrekt i stikkontakten.	Tag den ud af stikkontakten. Sæt den i stikkontakten igen efter 10 sekunder.
	2) En sikring er sprunget, eller en kredsafbryder er aktiveret.	Udskift sikringen, eller nulstil kredsafbryderen (skal udføres af professionelt personale fra vores virksomhed).
	3) Problemer med stikkontakten.	Afprøv stikkontakten med andre elektriske apparater.
Ovnen varmer ikke.	4) Døren er ikke lukket ordentligt.	Luk døren ordentligt.
Drejetallerkenen afgiver støj, når mikrobølgeovnen er tændt	5) Drejetallerkenen og bunden af ovnen er snavsede.	Se afsnittet "Rengøring og vedligeholdelse" for oplysninger om rengøring af snavsede dele.
Ovnen viser fejl E-3 og fungerer ikke	6) Ovndøren åbner ikke (på grund af en forhindring foran døren, lav spænding og andet).	Tag den ud af stikkontakten. Sæt den i stikkontakten igen efter 10 sekunder.

## Vänligen läs den här användarmanualen först!

Kära kund,

Tack för ditt köp av denna Cylinda-produkt. Vi hoppas att du får bästa resultat från produkten, som har tillverkats med hög kvalitet och senaste teknologi. Läs därför denna bruksanvisning och andra medföljande dokument noggrant, innan du använder produkten och spara den till framtida behov. Om du överlåter produkten till någon annan ska manualen också medfölja. Följ alla varningar och information i bruksanvisningen.

### Symbolernas betydelse

Följande symboler har använts i olika delar i denna bruksanvisning:



Viktig information och användbara tips om användning.



Varning för livsfara och egendom



Varning för heta ytor.



Varning för elchock.



Denna produkt har tillverkats i miljövänliga moderna fabriker utan att påverka miljön.

---

# 1 Viktig säkerhets- och miljöinformation

## Viktiga säkerhetsinstruktioner Läs noggrant och spara för kommande behov

### 1.1 Säkerhetsvarningar

Den här delen innehåller säkerhetsinstruktioner som kommer hjälpa dig att skydda dig ifrån risken av brand, elchock, exponering till läckande mikrovägsenergi, personskada eller egendomsskada. Underlåtelse att följa dessa instruktioner kommer att häva alla garantier.

- Cylinda mikrovägsugnar följer tillämpliga säkerhetsstandard; därför ska de, om enheten eller strömkabeln har skadats, ska återförsäljaren, servicecenter eller specialist- och auktoriserad service, för att undvika fara. Felaktig eller okvalificerad reparation kan vara farligt och ursaka fara för användaren.
- Den här apparaten är avsedd att användas i ett hushåll eller i liknande användande såsom:
  - personkök i affärer, kontor och andra arbetsmiljöer;
  - bondgårdar
  - kunder på hotell, motell och andra boendemiljöer;
  - Rum och frukost-miljöer.
- Den är inte avsedd för kommersiellt eller laboratoriebruk.
- Försök inte att starta ugnen, med dess lucka öppen; du kan exponeras till farlig mikrovägsenergi. Säkerhetslåsen ska inte kopplas ur eller mixtras med.
- Mikrovägsugnen är avsedd till värmning av mat och drycker. Torkning av mat eller kläder och uppvärmning av värmekuddar, tofflor, svampar, fuktiga trasor och motsvarande kan leda till personskada eller brandfara.
- Placera inga föremål mellan ugnens framsida och lucka. Låt inte smuts eller rengöringsmedelrester samlas i stängningsytorna.
- All service, som innehåller borttagning av skyddet mot exponering av mikrovägsenergi måste utföras av auktoriserad person. Alla andra åtaganden kan vara farliga.

# 1 Viktig säkerhets- och miljöinformation

- Produkten är ämnad för kokning, uppvärmning och smältning av mat hemma. Sen får inte användas till kommersiellt bruk.
- Ugnen är inte ämnad till att värma levande varelser.
- Använd inte apparaten till torkning av kläder eller kökshanddukar.
- Använd inte apparaten utomhus, badrum, fuktiga miljöer eller platser där den kan bli blöt.
- Ingen ansvar eller garantianspråk kan åberopas för skador som uppstår av missbruk eller felaktig användning av produkten.
- Försök inte att demontera enheten. Inga garantianspråk godkänns för felaktigt använd apparat.
- Använd bara originalreservdelar eller reservdelar rekommenderade av tillverkaren.
- Lämna inte enheten utan övervakning, när den är på.
- Använd alltid apparaten på en stabil, jämn, ren, torr och halksäker yta.
- Apparaten är inte avsedd att användas med extern timer eller ett separat fjärrkontrollsystem.
- Rengör alla delar, innan första användning. Se informationen i sektionen "Rengöring och underhåll".
- Använd apparaten till dess avsedda bruk och i enlighet med denna bruksanvisning.
- Apparaten blir het under användning. Rör inte i heta delar inne i ugnen.
- Använd inte ugnen tom.
- Matlagningsredskapen kan bli heta, beroende på värme som överförs från värmd mat. Du kan behöva att använda handskar till att hålla redskapet.
- Redskapen ska kontrolleras så, att de passar till användning i mikrovågsugn.
- Placera inte ugnen på spisar eller andra värmealstrande apparater. Den kan skadas och garantin hävas.
- Ånga kan komma ut när lock eller folie öppnas efter användning.
- Apparaten och dess ytor kan bli mycket heta under användning.
- Luckan och yttre glaset kan bli mycket heta under användning.

# 1 Viktig säkerhets- och miljöinformation

- Se till, att strömtillförseln överensstämmer med informationen på apparatens typskylt.
- Enda sättet att koppla ur apparaten från strömförsörjningen är att koppla ut stickkontakten ur vägguttaget.
- Använd apparaten endast med jordad vägguttag.
- Använd inte enheten, om strömkabeln eller själva enheten är skadad.
- Använd inte apparaten med förlängningssladd.
- Rör aldrig i apparaten eller dess stickkontakt med fuktiga eller blöta händer.
- Apparaten ska installerats så, ett kontakten är tillgänglig.
- Förhindra att strömkabeln skadas genom att inte klämma, böja eller låta den skava mot vassa kanter. Håll strömkabeln borta från heta ytor och öppen eld.
- Se till, att strömkabeln inte kan kopplas ur oavsiktligt eller att man kan snava på den, när apparaten används.
- Koppla ur apparaten före rengöring och när den inte används.
- Koppla inte ur stickkontakten genom att dra i kabeln, och vira inte strömkabeln runt apparaten.
- Sänk inte apparaten, strömkabeln eller stickkontakten i vatten eller andra vätskor. Håll den inte under rinnande vatten.
- När mat i plast- eller pappersbehållare värms, håll ett öga på ugnen pga. möjlig tändningsfara.
- Ta bort metalltrådar eller handtag från pappers- eller plastpåsar, innan de placeras i ugnen.
- Om rök uppstår, stäng av och koppla ur apparaten om det är säkert att göra detta, och låt dörren vara stängd för att kväva lågorna.
- Använd inte mikrovågsugnen till förvaring. Lämna inte pappersföremål, matlagningsmaterial eller mat i ugnen när den inte används.
- Nappflaskor och barnmatsburkar ska skakas eller röras om och temperaturen kontrolleras innan konsumtion, för att undvika brännskador.

# 1 Viktig säkerhets- och miljöinformation

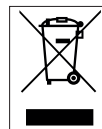
- Denna apparat är en Grupp 2 Klass B ISM enhet. Grupp 2 innehåller alla ISM (Industriella, Vetenskapliga och Medicinska) enheter, i vilka radiofrekvensenergi genereras och/eller används i form av elektromagnetisk strålning för behandling av material och gnistbehandlingsmaskiner.
  - Klass B apparater passar till hushållsanvändning direkt anslutna till lågspänningsströmförsörjning.
  - Använd inte matlagningsolja i ugnen. Het olja kan skada ugnens komponenter eller material och orsaka även brännskada.
  - Gör hål i mat med tjock skal, så som potatis, zucchini, äpplen och kastanjer.
  - Apparaten måste placeras så, att baksidan är vänd mot väggen.
  - Fäst vändskivan för att undvika skada, innan apparaten flyttas.
  - Ägg i skal och hårdkokta ägg ska inte värmas i mikrovågsugn, då de kan explodera, även efter uppvärmningen har avslutats.
- VARNING:** Om luckan eller dess tätning är skadad, får ugnen inte användas, innan kompetent person har lagat dessa.
- VARNING:** Det är farligt, om annan än en kompetent person utför reparationer eller underhåll, som innehåller borttagning av höljen, som skyddar mot exponering till mikrovågsenergi.
- VARNING:** Vätskor och mat får inte värmas i slutna behållare, då de kan explodera.
- Ugnen ska rengöras regelbundet och matrester avlägsnas.
  - Minst 20 cm ledigt utrymme ska finnas ovanför apparaten.
  - Överkoka inte maten, detta kan leda till brandfara.
  - Använd inte kemikalier eller ångtvätt till att rengöra apparaten.
  - Vi uppmanar till försiktighet, om apparaten används nära barn eller personer, med begränsad fysisk, sensorisk eller mental kapacitet.

# 1 Viktig säkerhets- och miljöinformation

- Denna produkt kan användas av minst 8-åriga barn och personer med begränsad fysisk, sensorisk eller mental kapacitet, eller som saknar erfarenhet eller kännedom förutsatt, att de är övervakade eller utbildade till att använda produkten på ett säkert sätt och förstår riskerna med detta. Barn ska inte leka med apparaten. Barn får inte rengöra eller underhålla produkten utan övervakning.
- **Kvävningsfara!** Håll förpackningsmaterial borta från barn.
- Pga. av värme, som alstras i grill- eller kombinationslägen, får barn använda dessa lägen bara under övervakning.
- Placera apparaten och strömledarna så, att barn under 8 år inte kan nå dessa.
- Laga inte mat direkt på glasunderlägget. Lägg maten i / på lämplig köksredskap innan den placeras i ugnen.
- Metallbehållare för mat eller drycker får inte användas i mikrovågsugnen. Detta kan leda till gnistbildning.
- Mikrovågsugnen får inte placeras i skåp som inte är i enlighet med installationsinstruktionerna.
- Mikrovågsugnen är ämnad endast till användning inbyggd.
- Om inbyggd apparat används 900 mm eller högre från golvet, kontrollera att vändskivan inte lossnar från sitt läge, när behållaren tas ut ur apparaten.
- Om den inbyggda produkten är i ett skåp med dörr, ska produkten användas skåpdörren öppen.

## 1.2 I enlighet med WEEE-direktivet för hantering av avfallsprodukter:

Den här produkten gäller under EU WEEE-direktivet (2012/19/EU). Den här produkten är försedd med en klassificeringssymbol för avfallshantering av elektriskt och elektroniskt material (WEEE).



Denna symbol indikerar att denna produkt inte ska kasseras med annat hushållsavfall vid slutet av dess livslängd. Använd enhet måste returneras till officiell insamlingsplats för återvinning av elektriska och elektroniska apparater. För att lokalisera dessa insamlingssystem, kontakta lokala myndigheter eller den återförsäljare där produkten införskaffades. Varje hushåll spelar en viktig roll för återförande och återvinning av gamla apparater. Lämpligt bortskaffande av använda apparater hjälper till att förhindra eventuella negativa konsekvenser för miljön och människors hälsa.

# 1 Viktig säkerhets- och miljöinformation

## 1.3 I enlighet med RoHS-direktivet:

Produkten du har köpt gäller under EU RoHS-direktivet (2011/65/EU). Den innehåller inga av de farliga eller förbjudna material som anges i direktiven.

## 1.4 Förpackningsinformation



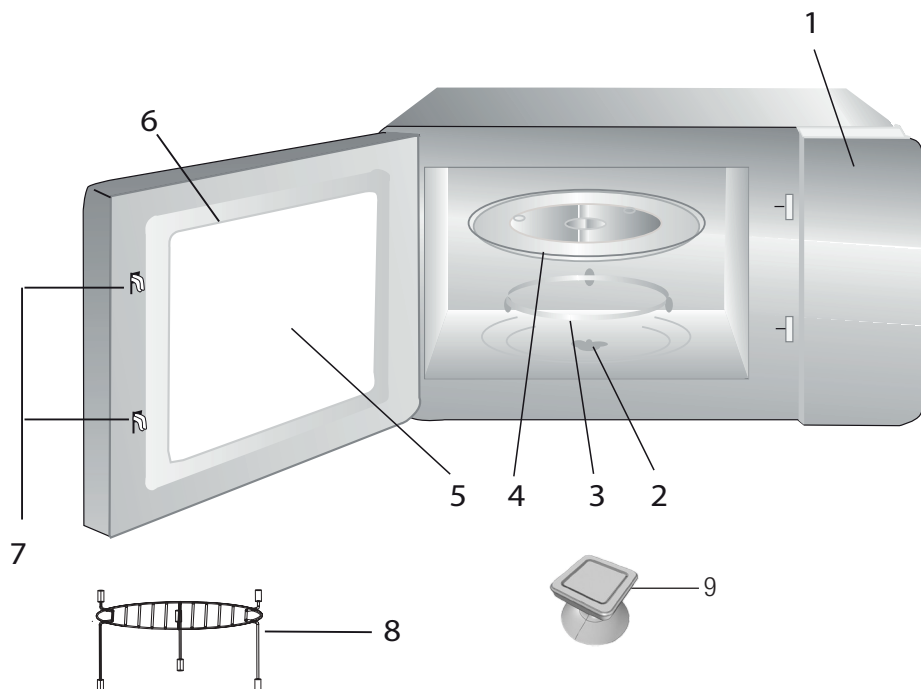
Förpackningen för din produkt är tillverkad av återvinningsbart material i enlighet med nationella miljöföreskrifter.

Kasta inte förpackningsmaterial i hushållsavfall eller annat liknande avfall. Ta dem till ett insamlingsställe för förpackningsmaterial som anvisas av de lokala myndigheterna.



## 2 Din mikrovågsugn

### 2.1 Översikt



### Kontroll och delar

1. Kontrollpanel
2. Den roterande tallrikens axel
3. Tallriksstöd
4. Glasform
5. Ugnsfönster
6. Luckgrupp
7. Lucklåssystem
8. Grillgaller (ska endast användas med grillfunktionen och placeras på glastallriken)
9. Vakuumlift för manuell dörröppning

### 2.2 Teknisk data

<b>Energiförbrukning</b>	230 V~50 Hz, 1450 W (mikrovågor) 1000 W (grill)
<b>Utgång</b>	900 W
<b>Användningsfrekvens</b>	2450 MHz
<b>Ytermått (H*B*D)</b>	388*595*400 mm
<b>Ugnskapacitet</b>	25 liter
<b>Nettovikt</b>	18,5 kg

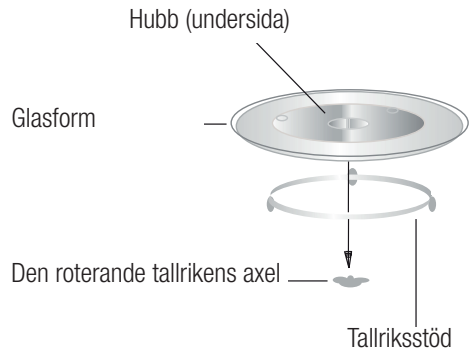
Rättigheter till tekniska och designmodifikationer reserveras.

Värdena som anges på produktens märkningar eller i annat tryckt material som medföljer produkten inhämtas under laboratorieförhållanden enligt relevanta standarder. Dessa värden kan variera beroende på produktanvändning och omgivande förhållanden. Effektvärden testas vid 230 V.

## 2 Din mikrovågsugn

### 2.3 Installation av den roterande tallriken

- Placera aldrig glastallriken upp och ner. Glastallriken får aldrig begränsas.
- Både glastallrik och tallriksstöd måste alltid användas under tillagning.
- All mat och alla behållare med livsmedel måste alltid placeras på glastallriken vid matlagning.
- Om glasbricka eller rullstöd spricker eller går sönder, kontakta närmaste auktoriserade servicecenter.



## 3 Installation och anslutning

### 3.1 Installation och anslutning

- Ta bort allt förpackningsmaterial och tillbehör. Undersök ugnen efter skador såsom bucklor eller trasig lucka. Installera inte om ugnen är skadad.
- Ta bort eventuell skyddsfolie som finns på mikrovågsugnens skåpyta.
- Ta inte bort det ljusbruna Mica-locket som är fäst i ugnsutrymmet för att skydda magnetronen.
- Denna apparat har endast designats för hushållsbruk.
- Denna ugn är endast avsedd för inbyggd användning. Den är inte avsedd för användning på arbetsbänkar eller för användning i ett skåp.
- Beakta de särskilda installationsanvisningarna.
- Apparaten kan installeras i ett 60 cm brett väggmonterat skåp (minst 50 cm djupt och 85 cm från golvet).

- Apparaten är försedd med en kontakt och får endast anslutas till ett korrekt installerat jordat uttag.
- Nätpänningen måste motsvara den spänning som anges på märkplåten.
- Om kontakten inte längre är åtkomlig efter installationen måste en allpolig frånskiljare finnas på installationssidan med en öppning på minst 3 mm.
- Adaptrar, flervägsuttag och förlängningssladdar får inte användas. Överbelastning kan resultera i brandrisk.



Den tillgängliga ytan kan vara varm under drift.

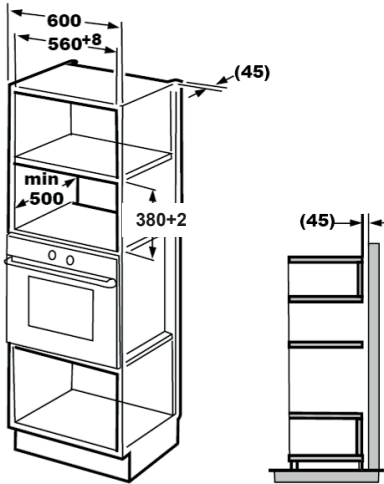


Snärj inte in eller böj strömkabeln.

# 3 Installation och anslutning

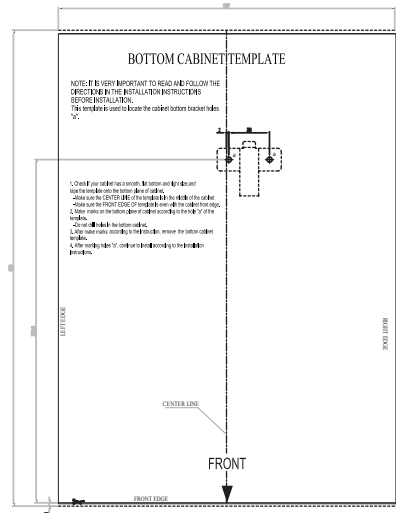
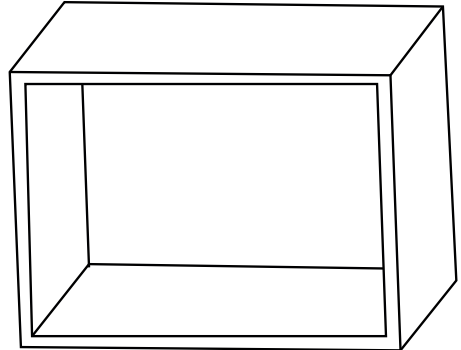
## 3.2 Inbyggd installation

### 3.2.1 Möbeldimensioner för inbyggda installationer



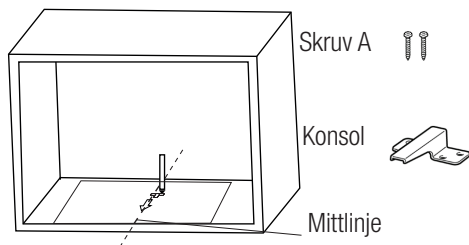
### 3.2.2 Förberedning av skåpet

1. Läs instruktionerna på botten-skåpsmallen och sätt mallen på skåpets bottenplan.

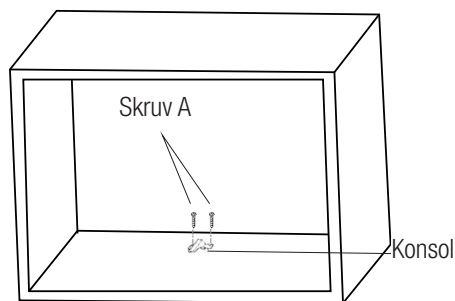


## 3 Installation och anslutning

2. Gör markeringar på skåpets bottenplan enligt märkena "a" på mallen.



3. Ta bort den nedre skåpmallen och fixera fästet med skruv A.



### 3.2.3 Fixera ugnen

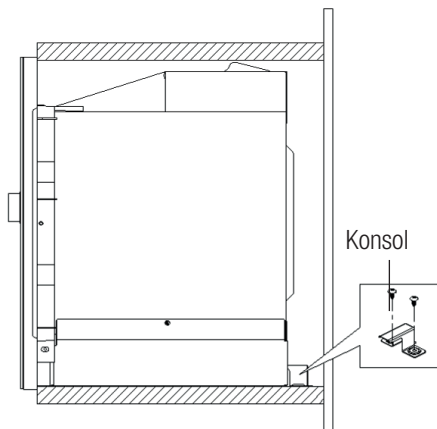
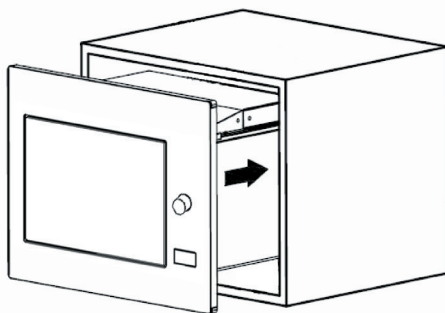
1. Installera ugnen i skåpet.



Se till att baksidan av ugnen är låst av fästet.

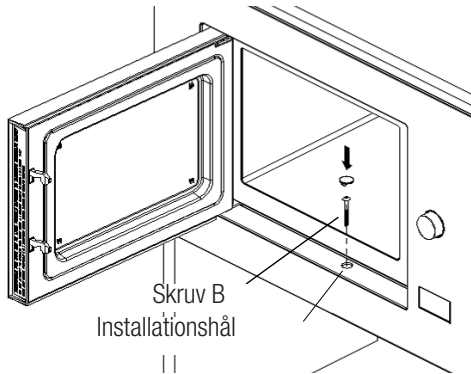


Snärj inte in eller böj strömkabeln.



## 3 Installation och anslutning

- Öppna luckan, fixera ugnen i skåpet med skruv B genom installationshålet. Fixera därefter trim-kitplastlocket i installationshålet.



### 3.3 Radiostörningar



Användning av mikrovågsugnen kan orsaka störningar för radio, tv och liknande apparater.

- Placera ugnen så långt bort från radio- och tv-apparater som möjligt. Drift av mikrovågsugnen kan orsaka störningar för radio eller tv-mottagning. 2. Anslut ugnen till ett vanligt vägguttag. Se till att spänningen och frekvensen överensstämmer med specifikationerna på märkplåten.
- Om det förekommer störningar kan de minskas eller elimineras genom att följa säkerhetsföreskrifterna nedan:
- Rengör luckan och ugnens tätningssyta.
- Ställ in antennens riktning för radion eller tv:n igen.
- Placera om ugnen med tanke på platsen för mottagaren.
- Placera mikrovågsugnen på avstånd från mottagaren.

- Koppla in mikrovågsugnen i ett annat uttag så att mikrovågsugnen och mottagaren har olika ledningar.

### 3.4 Tillagning i mikrovågsugn

- Förbered maten noggrant. Placera de återstående delarna utanför formen.
- Kontrollera tillagningstiden. Tillaga maten på kortast angivna tid och lägg till mer tid vid behov. Överkokt mat kan orsaka rökbildning eller brännas vid.
- Täck över maten vid tillagning. Om du täcker över maten hindrar du att den skvätter ut och det blir enklare att säkerställa att maten tillagas jämnt.
- Vänd mat, exempelvis kyckling och hamburgare, under tillagning i mikrovågsugnen för att påskynda tillagning av den här typen av mat. Stora livsmedel såsom stekar måste vändas minst en gång.
- Vänd mat, såsom köttbullar, upp och ned mitt under tillagningen och placera om dem mot varandra från mitten av rätten till utsidan.

### 3.5 Jordningsinstruktioner

Den här enheten måste jordas. Den här ugnen har en jordad kabel med en jordad kontakt. Apparaten måste kopplas in i ett vägguttag som installerats och jordats korrekt. Jordningssystemet tillåter läckström vid kortslutning och minskar risken för elektrisk stöt. Vi rekommenderar användning av en elektrisk krets som är anpassad för ugnen. Användning med hög spänning är farlig och kan orsaka brand eller andra olyckor, vilket kan orsaka skada på ugnen.



**WARNING:** Felaktig användning av den jordade kontakten kan orsaka elektrisk stöt.

## 3 Installation och anslutning



Om du har några frågor kring jordningen och elinstruktionerna, ska du kontakta en behörig elektriker eller servicepersonal.



Tillverkare och/eller återförsäljare tar inget ansvar för personskador eller skada på ugnen som kan uppstå om reglerna för elanslutning inte följs.

### 3.6 Redskapstest

Kör aldrig mikrovågsugnen tom. Det enda undantaget är redskapsprovet som beskrivs i följande avsnitt. Vissa icke-metallredskap är inte lämpliga att använda i mikrovågsugn. Om du är osäker på om ditt redskap är lämpligt för mikrovågsugn kan du utföra följande test.

Placera det tomma redskap som skall testas i mikrovågsugnen tillsammans med ett mikrovågsugnskompatibelt glas fyllt med 250 ml vatten.

3. Kör mikrovågsugnen vid maxeffekt under 1 minut.

4. Kontrollera noggrant temperaturen hos redskapet som testas. Om det värms upp, är det inte lämpligt för användning i mikrovågsugn.

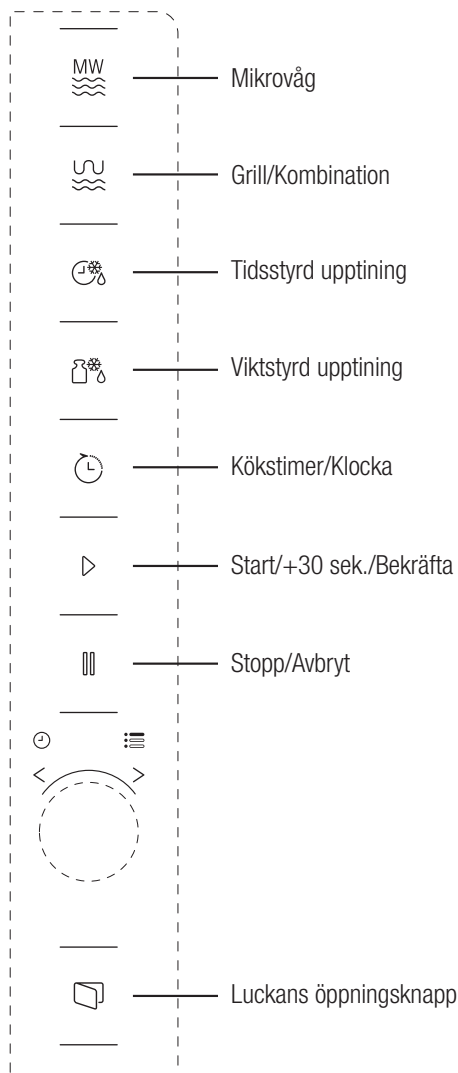
5. Överskrid aldrig driftstiden på 1 minut. Om du märker överslag under 1 minuts drift, stoppa mikrovågsugnen. Redskap som orsakar ljusbågsbildning är inte lämpliga för användning i mikrovågsugn.

Den nedanstående listan tjänar som en allmän vägledning, med vars hjälp du kan välja rätt redskap.

Tillagningsredskap	Mikrovågor	Grill	Kombination
Värmeresistent glaslucka	Ja	Ja	Ja
Ej värmeresistent glaslucka	Nej	Nej	Nej
Värmeresistent keramik	Ja	Ja	Ja
Plastform anpassad för mikrovågsugn	Ja	Nej	Nej
Pappersformar	Ja	Nej	Nej
Metallform	Nej	Ja	Nej
Metallgaller	Nej	Ja	Nej
Aluminiumfolie och folieomslag	Nej	Ja	Nej
Skummaterial	Nej	Nej	Nej

## 4 Användning

### 4.1 Kontrollpanel



### 4.2 Ställa in tiden

När mikrovågsugnen körs visas "0:00" på LED-skärmen och summern ringer en gång.

1. Tryck "Kökstimer/Klocka" två gånger och positionerna för timmar börjar blinka.
2. Vrid "⌚" för att justera timmar, ingångsvärdet ska vara mellan 0 och 23.
3. Tryck "Kökstimer/Klocka" och positionerna för minuter börjar blinka.
4. Vrid "⌚" för att justera minuter, ingångsvärdet ska vara mellan 0 och 59.
5. Tryck "Kökstimer/Klocka" för att avsluta tidsinställning. ":"-symbolen blinkar, och tiden lyser upp.



Om du trycker "Stopp/Avbryt" under tidsinställningen går ugnen automatiskt tillbaka till föregående läge.

### 4.3 Matlagning med mikrovågsugn

1. Tryck "Mikrovåg" en gång och "P100" visas på LED-skärmen.
2. Tryck "Mikrovåg" igen eller vrid "⌚" för att välja önskad effekt. Varje gång du trycker på knappen visas "P100, P80, P50, P30 samt P10".
3. Tryck "Start/+30 sek./Bekräfta" för att bekräfta och vrid "⌚" för att ställa in tillagningstiden mellan 0:05 och 95:00.
4. Tryck "Start/+30 sek./Bekräfta" igen för att starta tillagningen.



**Exempel:** Om du vill använda 80 % mikrovågseffekt för tillagning under 20 minuter, kan du använda ugnen med följande steg.

5. Tryck "Mikrovåg" en gång och "P100" visas på skärmen.
6. Tryck "Mikrovåg" igen eller vrid "⌚" för att ställa in 80 % mikrovågseffekt.

## 4 Användning

- Tryck "Start/+30 sek/Bekräfta" för att bekräfta och "P80" visas på skärmen.
- Vrid "👉" för att justera tillagningstiden tills ugnen visar "20:00".
- Tryck "Start/+30 sek/Bekräfta" för att starta tillagningen.

Följ de nedanstående stegen för att justera tiden i kodningsknappen:

Inställning av tiden	Ökning
0–1 minuter	5 sekunder
1–5 minuter	10 sekunder
5–10 minuter	30 sekunder
10–30 minuter	1 minut
30–95 minuter	5 minuter

### Mikrovågsugnens knappsatsinstruktioner

Order	Skärm	Mikrovågseffekt
1	P100	100 %
2	P80	80 %
3	P50	50 %
4	P30	30 %
5	P10	10 %

### 4.4 Tillagning med grill eller kombinationsläge

- Tryck "Grill/Kombination" en gång och "G" visas på LED-skärmen. Tryck "Grill/Kombination" flera gånger eller vrid "👉" för att välja önskad effekt. Varje gång du trycker på knappen visas "G, C-1 samt C-2".
- Tryck "Start/+30 sek/Bekräfta" för att bekräfta och vrid "👉" för att ställa in tillagningstiden mellan 0:05 och 95:00.
- Tryck "Start/+30 sek/Bekräfta" igen för att starta tillagningen.



**Exempel:** Om du vill använda 55 % mikrovågseffekt och 45 % grilleffekt (C-1) för tillagning under 10 minuter, kan du använda ugnen genom att följa de nedanstående stegen.

- Tryck "Grill/Kombination" en gång och "G" visas på skärmen.
- Tryck "Grill/Kombination" igen eller vrid "👉" för att välja läget Kombination 1.
- Tryck "Start/+30 sek/Bekräfta" för att bekräfta och "C-1" visas på skärmen.
- Vrid "👉" för att justera tillagningstiden tills ugnen visar "10:00".
- Tryck "Start/+30 sek/Bekräfta" för att starta tillagningen.

### "Grill/kombination" Instruktioner för knappsats

Order	Skärm	Mikrovågseffekt	Grill effekt
1	G	0 %	100 %
2	C-1	55 %	45 %
3	C-2	36 %	64 %



Efter halva grilltiden låter ugnen två gånger, vilket är normalt. För att få en bättre grilleffekt bör du vända på maten, stänga luckan, och sedan trycka på "Start/+30 sek/Bekräfta" för att fortsätta tillagningen. Om ingen åtgärd vidtas, fortsätter ugnen tillagningen.

### 4.5 Snabbstart

- 1.1 standby-läge, tryck "Start/+30 sek/Bekräfta" för att starta tillagning med 100 % mikrovågseffekt. Varje gång du trycker på knappen ökas tillagningstiden upp till 95 minuter i steg om 30 sekunder.



## 4 Användning

2. Vid matlagning med mikrovågsugn, grillfunktion eller kombinationsmatlagning eller upptining med tidslägen, ökar tillagningstiden med 30 sekunder varje gång du trycker på "Start/+30 sek/Bekräfta".
3. I standby-läge, vrid "👉" moturs för att ställa in tillagningstiden och starta tillagningen med 100 % mikrovågseffekt och tryck "Start/+30 sek/Bekräfta" för att starta tillagningen.



I Automenyn och upptiningslägen förlängs inte tillagningstiden om man trycker på "Start/+30 sek/Bekräfta".

### 4.6 Viktstyrd upptining

1. Tryck "Viktstyrd upptining" en gång.
2. Vrid "👉" för att "Viktstyrd upptining" matens vikt mellan 100 och 2 000 g.
3. Tryck "Start/+30sek/Bekräfta" för att starta upptiningen.

### 4.7 Tidsstyrd upptining

1. Tryck "Tidsstyrd upptining" en gång.
2. Vrid "👉" för att "Tidsstyrd upptining" upptiningsstiden. Maximal tid är 95 minuter.
3. Tryck "Start/+30sek/Bekräfta" för att starta upptiningen. Upptiningseffekten är P30 och kan inte ändras.

### 4.8 Kökstimer (klocka)

Ugnen är utrustad med ett klocka räkneverk som inte är kopplat till ugnens funktioner och kan användas separat i köket (det kan ställas in på max. 95 minuter.)

1. Tryck "Kökstimer/Klocka" en gång och 00:00 visas på LED-skärmen.
2. Vrid "👉" för att ange den korrekta tiden.
3. Tryck "Start/+30sek/Bekräfta" för att bekräfta inställningen.

4. När nedräkningen från den angivna tiden når 00:00, ringer summern 5 gånger. Om tiden är inställd (24-timmarssystem), visas aktuell tid på LED-skärmen.

Tryck "Stopp/Avbryt" för att när som helst avbryta timern.



En kökstimer fungerar annorlunda än ett 24-timmarssystem. Kökstimern är endast en timer.

### 4.9 Automeny

1. Vrid "👉" medurs för att välja önskad meny. Menyerna mellan "A-1 och A-8", nämligen pizza, kött, grönsaker, pasta, potatis, fisk, dryck och popcorn visas.
2. Tryck "Start/+30 Sek./Bekräfta" för att bekräfta.
3. Vrid "👉" för att välja standardvikt enligt menydiagrammet.
4. Tryck "Start/+30 sek/Bekräfta" för att starta tillagningen.



**Exempel:** Om du vill använda "Automeny" för att tillaga 350 g fisk:

1. Vrid "👉" medurs tills "A-6" visas på skärmen.
2. Tryck "Start/+30 Sek./Bekräfta" för att bekräfta.
3. Vrid "👉" för att välja fiskens vikt tills "350" visas på skärmen.
4. Tryck "Start/+30 sek/Bekräfta" för att starta tillagningen.

#### Autotillagningsmeny

Meny	Vikt	Skärm
A-1 Pizza	200 g	200
	400 g	400
A-2 Kött	250 g	250
	350 g	350
	450 g	450

## 4 Användning

A-3 Grönsaker	200 g	200
	300 g	300
	400 g	400
A-4 Pasta	50 g (med 450 ml kallt vatten)	50
	100 g (med 800 ml kallt vatten)	100
A-5 Potatis	200 g	200
	400 g	400
	600 g	600
A-6 Fisk	250 g	250
	350 g	350
	450 g	450
A-7 Dryck	1 glas (120 ml)	1
	2 glas (240 ml)	2
	3 glas (360 ml)	3
A-8 Popcorn	50 g	50
	100 g	100

### 4.10 Tillagning i flera steg

Högst två tillagningssteg kan ställas in. I flerstegsmatlagning, om ett steg är upptining, måste upptining vara det första steget.



Om du vill tina mat i 5 minuter och sedan laga mat med 80 % mikrovågseffekt i 7 minuter, utför följande steg:

1. Tryck "Tidsstyrt upptining" en gång.
2. Vrid "👉" för att "Tidsstyrd upptining" upptiningstiden tills "5:00" visas på skärmen.
3. Tryck "Mikrovåg" en gång och "P100" visas på skärmen.
4. Tryck "Mikrovåg" igen eller vrid "👉" för att ställa in 80 % mikrovågseffekt.
5. Tryck (Start/+30 sek/bekräfta) för att bekräfta och "P80" visas på skärmen.

6. Vrid "👉" för att justera tillagningstiden tills ugnen visar "7:00".

7. Tryck "Start/+30 sek/Bekräfta" för att starta tillagningen. Summern ljuder en gång för det första steget och nedräkningen startar för upptiningstiden. Summern ljuder igen när andra tillagningssteget inleds. Summern ljuder 5 gånger vid slutet av tillagningen.

### 4.11 Frågefunktion

1. I mikrovågs-, grill- och kombinationslägen, tryck "Mikrovåg" eller "Grill/Kombination" och den aktuella effekten visas under 3 sekunder. Efter 3 sekunder återgår ugnen till det föregående läget.

2. Under matlagning, tryck "Kökstimer/Klocka" och den aktuella tiden visas under 3 sekunder.

### 4.12 Barnlås

1. **Låsning:** I standbyläge, tryck på "Stopp/Avbryt" i 3 sekunder och det hörs en summersignal som indikerar att barnlåset är aktiverat. Om tiden redan är inställd, visas aktuell tid också, annars visas "🔒" på LED-skärmen.

2. **Upplåsning:** För att avaktivera barnlås, tryck på "Stopp/Avbryt" i 3 sekunder så att ett långt "pip" hörs som indikerar att barnlåset är avaktiverat.

### 4.13 Öppna ugnsluckan

Tryck  (Öppna lucka) och luckan öppnas.

# 5 Underhåll och rengöring

## 5.1 Rengöring



**WARNING:** Använd aldrig bensin, lösningsmedel, slipande rengöringsmedel, metallföremål eller hårda borstar för att rengöra apparaten.



**WARNING:** Sänk aldrig ned apparaten eller dess strömkabel i vatten eller någon annan vätska.

1. Stäng av apparaten och koppla bort den från vägguttaget.
2. Vänta tills apparaten är helt nedkyld.
3. Håll ugnens insida ren. Torka med en torr trasa om mat spillts ut eller vätskor som skvätt ut har fastnat på ugnsväggarna. Ett mildt rengöringsmedel kan användas om ugnen blir mycket smutsig. Undvik att använda spraymedel och andra starka rengöringsmedel, eftersom de kan orsaka fläckar, märken och ogenomskinlighet på luckans yta.
4. De utvändiga ytorna på ugnen ska rengöras med en fuktig trasa. Låt inte vatten välla ut i ventilationsöppningar för att förhindra skada på ugnens funktionsdelar.
5. Torka ofta av båda sidorna på luckan och glaset, lucktätningarna och delar nära tätningarna med en fuktig trasa för att avlägsna översvämmade rester eller spillfläckar. Använd inte några rengöringsmedel med slipeffekt.
6. Låt inte kontrollpanelen bli våt. Rengör med en mjuk, fuktig trasa. Lämna ugnsluckan öppen för att förhindra oavsiktlig användning vid rengöring av kontrollpanelen.
7. Om ånga samlas i eller runt ugnsluckan ska du torka bort den med en mjuk trasa. Detta kan inträffa när mikrovågsugnen används under förhållanden med hög luftfuktighet. Detta är normalt.
8. I vissa fall kan du behöva ta bort glasplattan för rengöring. Tvätta den i varmt vatten med mild tvållösning eller i diskmaskin.

9. Rullringen och ugnsluckan ska rengöras regelbundet för att undvika buller. Det räcker att torka av nedre ytan på ugnen med ett mildt rengöringsmedel. Rullringen kan tvättas i varmt vatten med mild tvållösning eller i diskmaskin. När du tar bort rullringen från ugnens invändiga botten för rengöring, ska du se till att installera den i rätt position när den läggs tillbaka.
10. För att ta bort dålig lukt ur ugnen ska du ställa in ett glas vatten med saften och skalet av en citron i en djup skål som är lämplig för mikrovågsanvändning och köra ugnen i 5 minuter i mikrovågläge. Torka noggrant med en mjuk och torr trasa.
11. Kontakta auktoriserad service när ugnslampan ska bytas.
12. Ugnen ska rengöras regelbundet och matrester måste avlägsnas. Om ugnen inte hålls ren kan det orsaka problem med ytorna som kan påverka apparatens livscykel negativt och orsaka eventuella risker.
13. Kasta inte apparaten bland hushållsavfall; gamla ugnar ska kastas på speciella avfallscenter som tillhandahålls av kommunerna.
14. När mikrovågsugnen används i grillfunktionen, kan en liten mängd rök och lukt uppstå som försvinner efter en viss tids användning.

## 5.2 Förvaring

- Om apparaten inte används under en längre tid ska den förvaras korrekt och skyddat.
- Se till att apparaten är bortkopplad, nedkyld och helt torr.
- Förvara apparaten på en sval och torr plats.
- Förvara enheten utom räckhåll för barn

## 5 Underhåll och rengöring

### 5.3 Hantering och transport

- Bär apparaten i originalförpackningen vid hantering eller transport. Apparatens förpackning skyddar mot fysiska skador.
- Placera inga tunga laster på apparaten eller förpackningen. Apparaten kan skadas.
- Om man råkar tappa apparaten blir den icke-operativ och man orsakar permanenta skador.

## 6 Felsökning

Normalt	
Mikrovågor stör tv-mottagningen	Radio- och tv-mottagningen kan störas när mikrovågsugnen är i drift. Det liknar den störning som orsakas av små elektriska apparater, såsom mixerar, dammsugare eller elfläktar. Detta är normalt.
Ugnslampan är dimmad.	Vid tillagning vid låg effekt i mikrovågsugnen kan ugns-ljuset dimmas. Detta är normalt.
Ånga ansamlas på luckan, varm luft kommer ut ur ventiler.	Under tillagningen kan ånga uppstå från maten. Det mesta av ångan kommer ut från ventilerna. Men en del ånga kan ansamlas på en sval plats som ugnsluckan. Detta är normalt.
Ugnen kördes av misstag utan någon mat i den.	Det är inte tillåtet att köra apparaten utan någon mat i den. Det är mycket farligt.

Problem	Möjlig orsak	Lösning
Ugnen kan inte startas.	1) Strömsladden är inte ordentligt inkopplad.	Koppla ur. Anslut sedan igen efter 10 sekunder.
	2) Säkring har gått eller över-spänningsskyddet är aktiverat.	Byt ut säkringen eller återställ ström-brytaren (repareras av professionell personal i vårt företag).
	3) Problem med uttaget.	Testa uttaget med andra elektriska apparater.
Ugnen värms inte upp.	4) Luckan är stängd på ett korrekt sätt.	Stäng luckan på ett korrekt sätt.
Glasplattan låter när mikrovågsugnen används	5) Den roterande tallriken och ugnsbotten är smutsiga.	Se avsnittet "Rengöring och underhåll" avseende rengöring av smutsiga delar.
Ugnen visar E-3-fel och fungerar inte	6) Ugnsluckan öppnas inte (på grund av hinder framför luckan, låg spänning osv.)	Koppla ur. Anslut sedan igen efter 10 sekunder.

## Les denne bruksanvisningen først!

Kjære kunde,

Takk for at du kjøpte et Cylinda-produkt. Vi håper at du får de beste resultatene fra produktet ditt som er produsert med høy kvalitet og avansert teknologi. Les derfor hele brukerhåndboken og alle andre tilhørende dokumenter nøye før du bruker produktet og oppbevar den som en referanse for fremtidig bruk. Hvis du overfører dette produktet til en annen, må du også gi dem bruksanvisningen. Følg alle advarsler og informasjon i bruksanvisningen.

### Betydning av symbolene

Følgende symboler brukes i de forskjellige delene av denne brukerhåndboken:



Viktig informasjon og nyttige tips om bruk.



Advarsler for farlige situasjoner angående sikkerhet og eiendom.



Advarsel mot varme overflater.



Advarsel mot elektrisk støt.



Dette produktet er produsert i miljøvennlige moderne fabrikker uten å skade naturen.

---

# 1 Merknad om sikkerhet og miljøvern

## Viktige sikkerhetsinstruksjoner Les nøye og oppbevar for fremtidig henvisning

### 1.1 Sikkerhetsadvarsler

Dette avsnittet inneholder sikkerhetsinstruksjoner som vil hjelpe å beskytte mot brannfare, elektrisk støte, eksponering mot lekkende mikrobølgeenergi, personskader eller materielle skader. Unnlattelse av å følge disse instruksjonene vil ugyldiggjøre garantien.

- Mikrobølgeovner fra Cylinda oppfyller gjeldende sikkerhetsstandarder. Ved skade på apparatet eller strømkabelen bør det derfor repareres eller skiftes ut av forhandleren, servicesenteret eller en/et spesialist og autorisert serviceverksted for å unngå fare. Mangelfullt eller ikke-kvalifisert reparasjonsarbeid kan være farlig og føre til risiko for brukeren.
- Dette apparatet er ment å brukes i husholdningen og lignende bruksområder slik som:
  - Kjøkkenområder med personell i butikker, kontorer og andre arbeidsmiljøer;
  - Gårdshus
  - Av kunder i hoteller og andre boligmiljøer;
  - Overnattingssteder med frokost.
- Det er ikke beregnet for industriell eller laboratoriebruk.
- Ikke prøv å starte ovnen når døren er åpen. Ellers kan du bli utsatt for skadelig mikrobølgeenergi. Sikkerhetslåser skal ikke deaktiveres eller tukles med.
- Mikrobølgeovnen er beregnet på oppvarming av mat og drikke. Tørring av mat eller klær og oppvarming av varmeputer, tøfler, svamper, fuktig klut og lignende kan føre til fare for personskade, antennelse eller brann.
- Ikke plasser gjenstander mellom frontsiden og ovnsdøren. Ikke la rester av smuss eller rengjøringsmiddel bygge seg opp på lukkeflatene.
- Alt servicearbeid som involverer fjerning dekselet som gir beskyttelse mot eksponering for mikrobølgeenergi, må utføres av autoriserte personer/verksteder. Enhver annen tilnærming er farlig.

# 1 Merknad om sikkerhet og miljøvern

- Produktet ditt er beregnet på matlaging, oppvarming og tining av mat hjemme. Det må ikke brukes til kommersielle formål.
- Ovnen din er ikke designet for å tørke noe levende vesen.
- Ikke bruk apparatet til å tørke klær eller kjøkkenhåndklær.
- Ikke bruk apparatet utendørs, i bad, fuktige miljøer eller på steder der det kan bli vått.
- Det skal ikke påtas noe ansvar eller garantikrav for skader som oppstår som følge av feil bruk eller feil håndtering av apparatet.
- Forsøk aldri å demontere apparatet. Ingen garantikrav godtas for skader forårsaket av feil håndtering.
- Bruk bare originale deler eller deler anbefalt av produsenten.
- Ikke la dette apparatet være uten tilsyn mens det er i bruk.
- Bruk alltid apparatet på en stabil, flat, ren, tørr og sklissikker overflate.
- Apparatet skal ikke betjenes med et eksternt klokkeur eller separat fjernkontrollsystem.
- Før du bruker apparatet for første gang, må du rengjøre alle delene. Se detaljene gitt i "Rengjøring og vedlikehold"-delen.
- Bruk apparatet til det tiltenkte formål kun som beskrevet i denne håndboken.
- Apparatet blir veldig varmt mens det er i bruk. Vær oppmerksom på ikke å berøre de varme delene inne i ovnen.
- Ikke bruk ovnen tom.
- Kokekar kan bli varme på grunn av varmen som overføres fra den oppvarmede maten til redskapet. Du trenger kanskje ovnhansker for å holde redskapet.
- Kjøkkenutstyr skal kontrolleres for å sikre at de er egnet for bruk i mikrobølgeovner.
- Ikke plasser ovnen på komfyrer eller andre varmegenererende apparater. Ellers kan den bli skadet og garantien ugyldig.
- Damp kan komme ut mens du åpner dekslene eller folien etter tilberedning av maten.
- Apparatet og dets tilgjengelige overflater kan være veldig varme når apparatet er i bruk.

# 1 Merknad om sikkerhet og miljøvern

- Dør og ytterglass kan være veldig varme når apparatet er i bruk.
- Forsikre deg om at strømforsyningen din er i samsvar med informasjonen som er gitt på apparatets typeskilt.
- Den eneste måten å koble apparatet fra strømforsyningen på er å fjerne strømpluggen fra stikkontakten.
- Bruk bare apparatet med en jordet stikkontakt.
- Bruk aldri apparatet hvis strømkabelen eller selve apparatet er skadet.
- Ikke bruk dette apparatet med en skjøteledning.
- Ikke berør apparatet eller støpselet med fuktige eller våte hender.
- Plasser apparatet slik at støpselet alltid er tilgjengelig.
- Unngå skade på strømkabelen ved ikke å klemme, bøye eller gni den på skarpe kanter. Hold strømkabelen borte fra varme overflater og åpen ild.
- Forsikre deg om at det ikke er fare for at strømkabelen kan trekkes ved et uhell eller at noen kan snuble over den når apparatet er i bruk.
- Koble fra apparatet før hver rengjøring og når apparatet ikke er i bruk.
- Ikke trekk i strømkabelen til apparatet for å koble den fra strømforsyningen, og vikle aldri strømkabelen rundt enheten.
- Ikke senk apparatet, strømkabelen eller støpselet i vann eller andre væsker. Ikke hold den under rennende vann.
- Når du varmer opp mat i plast- eller papirbeholdere, må du holde øye med ovnen på grunn av antennelsesmulighet.
- Fjern trådstrengene og/eller metallhåndtakene til papir- eller plastposer før du legger poser i ovnen.
- Hvis røyk blir observert, må du slå av eller koble fra apparatet hvis det er trygt å gjøre det, og holde døren lukket for å kvele eventuelle flammer.
- Ikke bruk mikrobølgeovn til oppbevaring. Ikke la papirvarer, kokemateriell eller mat være i ovnen når den ikke brukes.
- Innholdet i mateflasker og baby-matkrukker bør røres eller ristes, og temperaturen kontrolleres før bruk, for å unngå brannskader.



# 1 Merknad om sikkerhet og miljøvern

- Dette apparatet er et gruppe 2 ISM-utstyr. Gruppe 2 inneholder alt ISM-utstyr (industrielt, vitenskapelig og medisinsk) der radiofrekvensenergi med bevisst blir generert og/eller brukt i form av elektromagnetisk stråling for behandling av materiale, og gnis-terosjonsutstyr.
  - Utstyr av klasse B er egnet for bruk i hjemlige virksomheter og virksomheter som er direkte koblet til et lavspenningsforsy-ningsnett.
  - Ikke bruk matolje i ovnen. Varm olje kan skade ovnens kompo- nenter og materialer, og det kan til og med forårsake brannskader.
  - Stikk hull mat med tykk skorpe slik som poteter, courgetter, epler og kastanjer.
  - Apparatet må plasseres slik at baksiden vender mot veggen.
  - Før du flytter apparatet, må du feste dreieskiven for å forhindre skade.
  - Egg i skall og hele hardkokte egg må ikke varmes opp i mikro- bølgeovner siden de kan eksplodere, selv etter at mikro- bølgeoppvarming er avsluttet.
- ADVARSEL:** Hvis dør- eller dør- pakningene er skadet, må ikke ovnen brukes før den er reparert av en kompetent person.
- ADVARSEL:** Det er farlig for andre enn en kompetent person å utføre service- eller reparasjons- operasjoner som innebærer fjer- ning av et deksel som gir beskyt- telse mot eksponering for mikro- bølgeenergi.
- ADVARSEL:** Væsker og andre matvarer må ikke varmes opp i forseglede beholdere, siden de kan eksplodere.
- Ovnens skal rengjøres regelmes- sig og eventuelle matavlinger fjernes.
  - Det skal være min 20 cm ledig plass over ovnens toppflate.
  - Ikke overstek mat; det kan forår- sake brann.
  - Ikke bruk kjemikaliser eller dam- passisterte rensere til å rengjøre apparatet.
  - Ekstrem forsiktighet anbefales når det brukes i nærheten av barn og personer med begren- sede fysiske, sensoriske eller mentale evner.

# 1 Merknad om sikkerhet og miljøvern

- Dette apparatet kan brukes av barn som er over 8 år og av personer som har begrenset fysisk, sensorisk eller mental kapasitet eller som ikke har kunnskap og erfaring, så lenge de blir overvåket med hensyn til sikker bruk av produktet, eller de blir instruert følgelig eller forstår risikoen ved bruk av produktet. Barn skal ikke leke med produktet. Rengjørings- og vedlikeholdsprosedyrer skal ikke utføres av barn med mindre de overvåkes av sine foreldre.
- **Fare for kvelning!** Hold alt emballasjemateriale unna barn.
- På grunn av overdreven varme som oppstår i grill- og kombinasjonsmoduser, bør barn bare få lov til å bruke disse modusene under tilsyn av en voksen.
- Hold produktet og strømkabelen utilgjengelige for barn under 8 år.
- Ikke stek mat direkte på glassbrettet. Sett maten i/på passende kjøkkenutstyr før du legger den i ovnen.
- Metalliske beholdere for mat og drikke er ikke tillatt under steking i mikrobølgeovn. Ellers kan gnister oppstå.
- Mikrobølgeovn må ikke plasseres i et skap som ikke overholder installasjonsinstruksjonene.
- Mikrobølgeovn er kun beregnet for innebygde bruk.
- Hvis innebygde apparater brukes like eller høyere enn 900 mm over gulvet, må du passe på ikke å forskyve dreieskiven når du fjerner beholdere fra apparatet.
- Hvis det innebygde produktet er i et skap med en dør, må produktet betjenes med skapdøren åpen.

## 1.2 Samsvar med WEEE-direktivet og Deponering av avfallsproduktet:

Dette produktet er i samsvar med EU-direktivet som omhandler elektronisk og elektrisk utstyr (2012/19/EU). Dette produktet har et klassifiseringsymbol for sortering av avfall elektrisk og elektronisk utstyr (WEEE).



Dette symbolet indikerer at dette produktet ikke skal kastes med annet husholdningsavfall ved slutten av levetiden. Brukt enhet må returneres til offisielt innsamlingssted for gjenvinning av elektriske og elektroniske enheter.

# 1 Merknad om sikkerhet og miljøvern

For å finne disse innsamlingsstedene, vennligst kontakt din lokale myndighet eller forhandler der produktet ble kjøpt. Hver husholdning utfører en viktig rolle i gjenvinning og gjenvinning av gammelt apparat. Passende avhending av brukt apparat bidrar til å forhindre potensielle negative konsekvenser for miljøet og menneskers helse.

## 1.3 Samsvar med RoHS-direktivet:

Produktet du har kjøpt er i samsvar med EU-RoHS-direktivet (2011/65/EU). Det inneholder ingen farlige eller forbudte substanser som er angitt i direktivet.

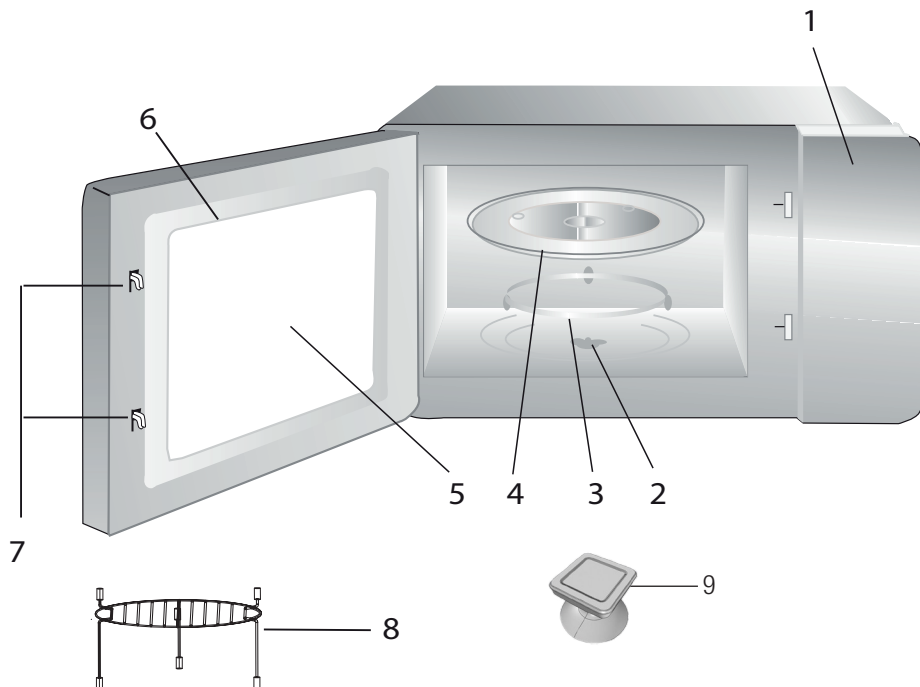
## 1.4 Pakningsinformasjon



Produktpakningen er laget av gjenvinnbare materialer i samsvar med våre nasjonale miljøforskrifter. Ikke kast emballasjen sammen med husholdningsavfall eller annet avfall. Ta dem med til miljøstasjoner som er opprettet av lokale offentlige myndigheter.

## 2 Mikrobølgeovnen

### 2.1 Oversikt



### Kontroller og deler

1. Kontrollpanel
2. Dreieshjulskraft
3. Dreiehjulstøtte
4. Glassfat
5. Ovnsvindu
6. Dørgruppe
7. Sikkerhetslåssystem på dør
8. Grillrist (kun til bruk med grillfunksjon, og skal plasseres på glassfatet)
9. Vakuumløfter for manuell døråpning

### 2.2 Tekniske data

<b>Strømforbruk</b>	230 V~50 Hz, 1450 W (mikrobølgeovn) 1000 W (Grill)
<b>Effekt</b>	900 W
<b>Driftsfrekvens</b>	2450 MHz
<b>Utvendige mål (H*B*D)</b>	388*595*400 mm
<b>Ovnens kapasitet</b>	25 liter
<b>Nettovekt</b>	18,5 kg

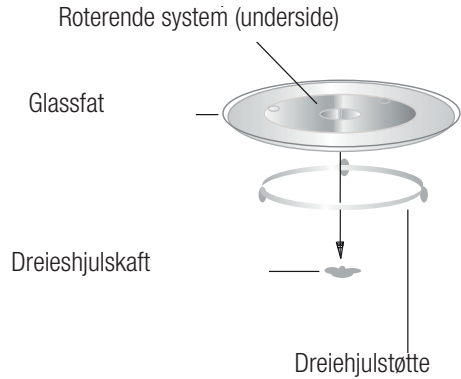
Tekniske rettigheter og designendringsrettigheter er forbeholdt.

Merkingen på produktet, eller verdiene er oppgitt i papirdokumentasjonen som medfølger produktet, er verdier oppnådd i laboratoriemiljø i henhold til relevante standarder. Disse verdiene kan variere etter bruk av produktet og miljømessige forhold. Strømverdier er testet ved 230 V.

## 2 Mikrobølgeovnen

### 2.3 Montere dreiehjulet

- Glassfatet må aldri settes på opp ned. Glassfatet må alltid kunne beveges fritt.
- Både glassfatet og dreiehjulstøtten må alltid brukes under tilberedning.
- All mat og alle beholdere med mat må alltid settes på glassfatet under tilberedning.
- Hvis glassfatet eller dreiehjulstøtten sprekker eller ødelegges, må du kontakte nærmeste serviceverksted.



## 3 Installering og tilkobling

### 3.1 Installering og tilkobling

- Ta bort all emballasje og tilbehør. Undersøk ovnen for skader, som f.eks. bulker eller ødelagt dør. Ikke installer en skadet ovn.
- Fjern eventuell beskyttelsefilm på utsiden av mikrobølgeovnen.
- Ikke fjern det lysebrune Mica-dekselet som er festet på ovnsrommet for å beskytte elektronrøret.
- Dette apparatet er beregnet på bruk kun i private husholdninger.
- Denne ovnen skal kun brukes som innebygget. Den skal ikke installeres på en benk eller inni et skap.
- Følg de spesielle installeringsinstruksjonene.
- Apparatet kan installeres i et 60 cm bredt veggmontert skap (minst 50 cm dypt og 85 cm over gulvet).
- Apparatet er utstyrt med et støpsel, og skal bare kobles til en jordet stikkontakt.
- Nettspenningen må samsvare med nettspenningen som er oppgitt på typeskiltet.

- Hvis støpselet ikke er tilgjengelig etter installering, må det monteres en bryter som kobler fra alle poler på installasjonssiden, og med et kontaktmellomrom på minst 3 mm.
- Adaptere, flergrenskontakter og forlengelsesledninger må ikke brukes. Overbelastning kan føre til brann.



Den tilgjengelige overflaten kan bli varm under bruk.

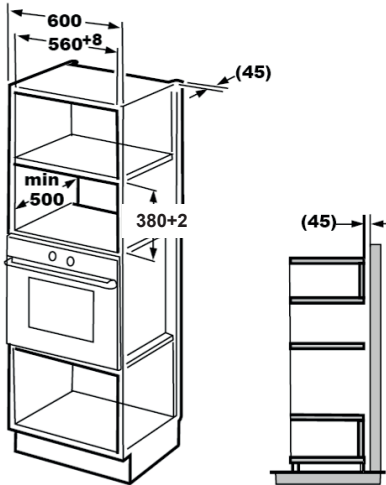


Ikke la strømkabelen komme i klemme eller bli bøyd.

# 3 Installering og tilkobling

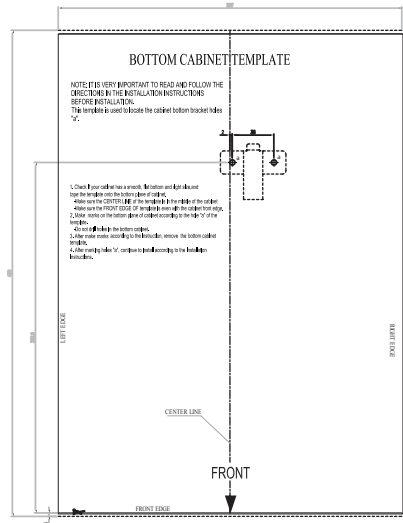
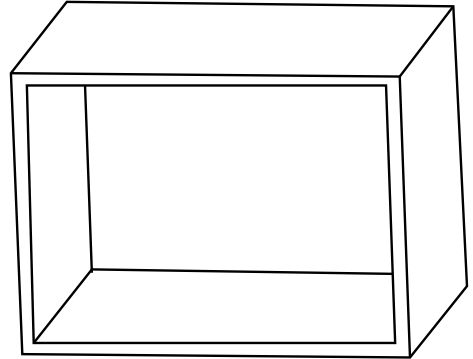
## 3.2 Innebygde installasjon

### 3.2.1 Mål for møbel ved innebygde installasjon



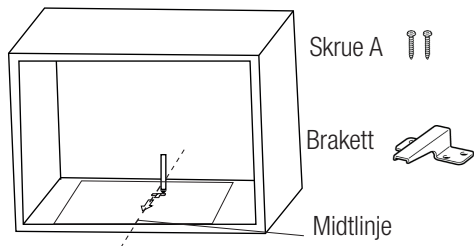
### 3.2.2 Klargjøre skapet

1. Les instruksjonene på den nedre skapmalen, og legg malen på bunnplaten i skapet.

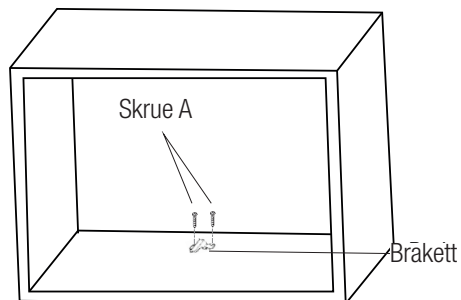


## 3 Installering og tilkobling

2. Sett merker på bunnplaten i skapet i henhold til malens a-merke.



3. Ta ut skapmalen og fest braketten med skrue A.



### 3.2.3 Feste ovnen

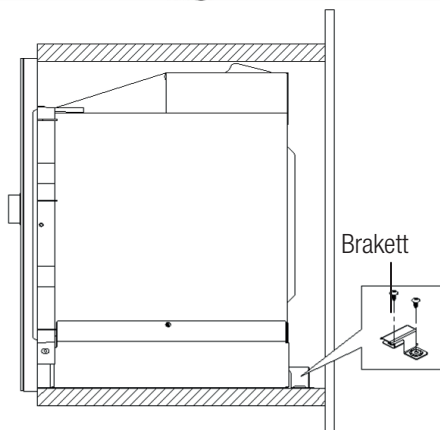
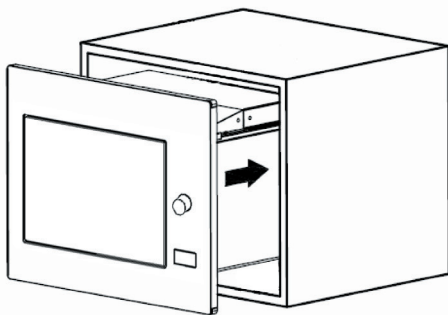
1. Installer ovnen i skapet.



Pass på at baksiden av ovnen låses fast av braketten.

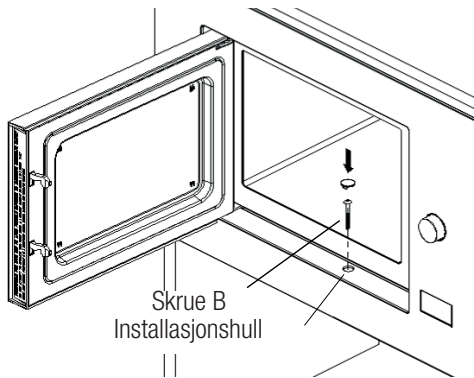


Ikke la strømkabelen komme i klemme eller bli bøyd.



## 3 Installering og tilkobling

2. Åpne døren, fest ovnen i skapet med skruer B gjennom installasjonshullet. Fest deretter det tilpassede plastdekselet over installasjonshullet.



### 3.3 Radioforstyrrelser



Bruk av mikrobølgeovnen kan føre til forstyrrelser på radioer, TV-apparater og lignende apparater.

- Plasser ovnen så langt unna radio- og TV-apparater som mulig. Bruk av mikrobølgeovnen kan føre til forstyrrelser på radio- eller TV-mottaket.
- 2. Koble ovnen til en vanlig stikkontakt. Kontroller at spenningen og frekvensen er den samme som spenningen og frekvensen som er angitt på typeskiltet.
- Hvis det oppstår forstyrrelser, kan disse reduseres eller fjernes ved å følge forholdsreglene under:
- Rengjør døren og overflaten på tetningen rundt døren.
- Still inn retningen på radio- eller TV-antennen på nytt.
- Snu ovnen i forhold til plasseringen til mottakeren.
- Sett ovnen unna mottakeren.
- Koble mikrobølgeovnen til i en annen stikkontakt, slik at mikrobølgeovnen og mottakeren er koblet til ulike kretser.

### 3.4 Prinsipper for tilbereding av mat i mikrobølgeovn

- Forbered maten grundig. Legg de gjenværende delene på den ytre delen av kokekaret.
- Følg med tilberedingstiden. Tilbered maten i den korteste tiden som er oppgitt, og legg til mer tid ved behov. Mat som tilberedes for lenge kan føre til røykdannelse, eller kan bli brent.
- Dekk til maten under tilbereding. Tildekking av maten hindrer spruting og bidrar til å sikre at maten tilberedes jevnt.
- Mat som fjærkre og hamburgere må snus når de tilberedes i mikrobølgeovn, for å fremskynde tilbereding av denne type matvarer. Større matvarer som f.eks. en steik, må snus minst én gang.
- Mat som f.eks. kjøttboller må snus opp ned halvveis i tilberedingen, og kjøttbollene plassert ytterst på kokekaret må byttes med de som ligger i midten av kokekaret.

### 3.5 Instruksjoner for jording

Dette apparatet må være jordet. Denne ovnen har en jordet kabel med støpsel. Apparatet skal plugges i en stikkontakt som er korrekt montert og jordet. Et jordingssystem har en lekkasjeledning for elektrisk strøm i tilfelle det oppstår en kortslutning, og reduserer faren for elektrisk støt. Vi anbefaler at ovnen brukes på en egen krets. Drift med høy spenning er farlig, og kan føre til brann eller andre ulykker som kan skade ovnen.



**ADVARSEL:** Feil bruk av jordingsstøpsel kan føre til elektrisk støt.



Hvis du har spørsmål om jording eller instruksjoner vedrørende strøm, må du kontakte en godkjent elektriker eller servicepersonale.



## 3 Installering og tilkobling



Produsenten og/eller forhandleren tar ikke ansvar for personskader eller skader på ovnen som oppstår fordi prosedyrer rundt elektriske tilkoblinger ikke følges.

### 3.6 Test av redskaper

Start aldri en tom mikrobølgeovn. Det eneste unntaket er når du skal teste utstyr, som forklart i neste avsnitt. Enkelte typer utstyr, som ikke er av metall, er kanskje ikke egnet for bruk i mikrobølgeovn. Hvis du er usikker på om utstyret egner seg til bruk i mikrobølgeovn, kan du utføre følgende test.

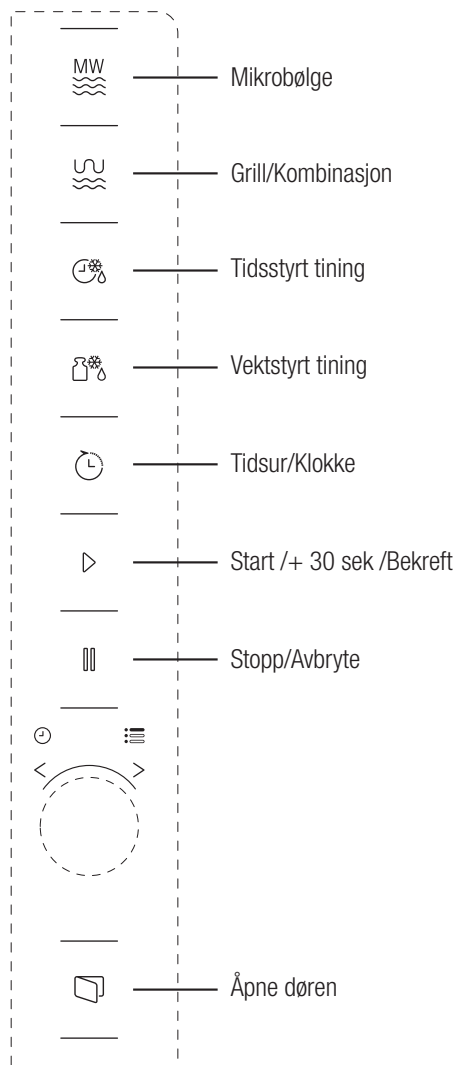
1. Sett det tomme utstyret inn i mikrobølgeovnen sammen med en mikrobølgesikkert glass fylt med 250 ml vann.
2. Kjør mikrobølgeovnen på full effekt i ett minutt.
3. Vær forsiktig, og sjekk temperaturen på utstyret du testet. Hvis det er varmt, egner det seg ikke for bruk i mikrobølgeovn.
4. Overskrid aldri driftstiden på ett minutt. Hvis du ser lysbuer/gnister i ovnen i løpet av dette minuttet, må du stoppe ovnen. Utstyr som danner lysbuer/gnister, egner seg ikke for bruk i mikrobølgeovn.

Listen under er en generell veiledning for valg av riktig utstyr til bruk i ovnen.

Tilberedningsutstyr	Mikrobølge	Grill	Kombinasjon
Varmebestandig glass (ildfast)	Ja	Ja	Ja
Ikke varmebestandig glass	Nei	Nei	Nei
Varmebestandig keramikk	Ja	Ja	Ja
Plastkar egnet for mikrobølgeovn	Ja	Nei	Nei
Kjøkkenutstyr av papir	Ja	Nei	Nei
Metallbrett	Nei	Ja	Nei
Metallstativ	Nei	Ja	Nei
Aluminiumsfolie og aluminiumslokk	Nei	Ja	Nei
Skummaterialer	Nei	Nei	Nei

## 4 Bruk

### 4.1 Kontrollpanel



### 4.2 Stille klokken

Når ovnen mottar strøm, står det "0:00" på LED-skjermen, og summeren ringer én gang.

1. Trykk to ganger på "Tidsur/Klokke", og tallene for timer begynner å blinke.
2. Drei på "👤" for å stille inn timen. Du kan stille inn mellom 0 og 23.
3. Trykk ganger på "Tidsur/Klokke", og tallene for minutter begynner å blinke.
4. Drei på "👤" for å stille inn minuttene. Du kan stille inn mellom 0 og 59.
5. Trykk på "Tidsur/Klokke" for å fullføre innstillingen av klokken. Symbolet ":" blinker, og klokkeslettet lyser.



Hvis du trykker på "Stopp/Avbryt" under innstilling av klokken, går ovnen automatisk tilbake til forrige modus.

### 4.3 Matlaging med mikrobølgeoven

1. Trykk på "Mikrobølge". "P100" vises på LED-skjermen.
2. Trykk på "Mikrobølge" én gang til, eller drei på "👤" for å velge ønsket effekt. Hver gang du trykker på tasten, vises henholdsvis "P100, P80, P50, P30 eller P10".
3. Trykk på "Start/+30 sek./Bekreft" for å bekrefte, og drei på "👤" for å stille inn tilberedingstiden til en verdi mellom 0:05 og 95:00.
4. Trykk på "Start/+30 sek./Bekreft" én gang til for å starte tilberedingen.



**Eksempel:** For eksempel, hvis du vil tilberede maten i 20 minutter med 80 % mikrobølgeeffekt, gjør du følgende:

5. Trykk én gang på "Mikrobølge". "P100" vises på LED-skjermen.

## 4 Bruk

- Trykk én gang på "Mikrobølge", eller drei på "👉" for å angi 80 % mikrobølgeeffekt.
- Trykk på "Start/+30 sek./Bekreft" for å bekrefte. "P80" vises på skjermen.
- Drei på "👉" for å justere tilberedningstiden, helt til ovnen viser "20:00".
- Trykk på "Start/+30 sek./Bekreft" for å starte tilberedningen.

**Trinnene for å justere tiden med programmeringsknappen er som følger:**

Stille inn varigheten	Økning
0–1 minutt	5 sekunder
1–5 minutter	10 sekunder
5–10 minutter	30 sekunder
10–30 minutter	1 minutt
30–95 minutter	5 minutter

**Instruksjoner for bruk av tastene på mikrobølgeovnen**

Rekkefølge	Skjerm-bilde	Mikrobølgeeffekt
1	P100	100 %
2	P80	80 %
3	P50	50 %
4	P30	30 %
5	P10	10 %

### 4.4 Tilberedning med grill eller kombinasjonsmodus

- Trykk på "Grill/Kombinasjon". "G" vises på LED-skjermen. Trykk på "Grill/Kombinasjon" flere ganger, eller drei på "👉" for å velge ønsket effekt. Hver gang du trykker på tasten, vises henholdsvis "G, C-1 eller C-2".
- Trykk på "Start/+30 sek./Bekreft" for å bekrefte, og drei på "👉" for å stille inn tilberedningstiden til en verdi mellom 0:05 og 95:00.
- Trykk på "Start/+30 sek./Bekreft" én gang til for å starte tilberedningen.



**Eksempel:** For eksempel, hvis du vil tilberede maten i 10 minutter med 55 % mikrobølgeeffekt og 45 % grilleffekt (C-1), gjør du følgende:

- Trykk én gang på "Grill/Kombinasjon". "G" vises på LED-skjermen.
- Trykk på "Grill/Kombinasjon" én gang til, eller drei på "👉" for å velge kombinasjonsmodus 1.
- Trykk på "Start/+30 sek./Bekreft" for å bekrefte. "C-1" vises på skjermen.
- Drei på "👉" for å justere tilberedningstiden, helt til ovnen viser "10:00".
- Trykk på "Start/+30 sek./Bekreft" for å starte tilberedningen.

**Instruksjoner for bruk av tastene Grill/kombinasjon**

Rekkefølge	Skjerm-bilde	Mikrobølgeeffekt	Grill effekt
1	G	0 %	100 %
2	C-1	55 %	45 %
3	C-2	36 %	64 %



Når halve grilltiden har passert, avgir ovnen to lydsignaler. Dette er normalt. For at grilleffekten skal bli bedre, bør du snu maten, lukke døren og deretter trykke på "Start/+30 sek./Bekreft" for å fortsette tilberedningen. Hvis du ikke gjør noe, fortsetter ovnen med tilberedningen.

### 4.5 Hurtigstart

- Når ovnen er i standby, trykker du på "Start/+30 sek./Bekreft" for å starte tilberedning med 100 % mikrobølgeeffekt. Hver gang du trykker på tasten, øker tilberedningstiden i trinn på 30 sekunder, helt til den er 95 minutter.

## 4 Bruk

2. I modusene for mikrobølge, grill og kombinasjon eller tining etter tid, øker tilberedningstiden med 30 sekunder hver gang du trykker på "Start/+30 sek./Bekreft".
3. Når ovnen er i standby, dreier du "👉" mot urviseren for å stille inn tilberedningstiden for å starte tilberedningen med 100 % mikrobølgeeffekt, og trykker på "Start/+30 sek./Bekreft".



I modusene automeny og tining etter vekt, økes ikke tilberedningstiden når du trykker på "Start/+30 sek./Bekreft".

### 4.6 Tining etter vekt

1. Trykk én gang på "Tining etter vekt".
2. Drei på "👉" for å velge vekten på matvaren. Du kan velge mellom 100 og 2000 g.
3. Trykk på "Start/+30 sek./Bekreft" for å starte tiningen.

### 4.7 Tining etter tid

1. Trykk én gang på "Tining etter tid".
2. Drei på "👉" for å velge tinetid. Maksimal innstillingstid er 95 minutter.
3. Trykk på "Start/+30 sek./Bekreft" for å starte tiningen. Tineeffekten er P30, og den kan ikke endres.

### 4.8 Tidsur (teller)

Ovnen har en automatisk teller, som ikke er koblet til ovnsfunksjonene. Denne kan brukes separat på kjøkkenet (maks. innstilling er 95 minutter).

1. Trykk på "Grill/Tidsur". "00:00" vises på LED-skjermen.
2. Drei på "👉" for å angi ønsket tid.
3. Trykk på "Start/+30 sek./Bekreft" for å bekrefte innstillingen.

4. Når nedtellingen er på 00:00, avgir ovnen fem lydsignaler. Hvis klokkeslettet er stilt inn (24-timers system), vises nåværende klokkeslett på LCD-skjermen.

Trykk på "Stopp/Avbryt" for å avbryte tidsuret når som helst.



Tidsuret fungerer på en annen måte enn 24-timers systemet. Det er kun et tidsur.

### 4.9 Automeny

1. Drei "👉" med urviseren for å velge ønsket meny. Menyene mellom "A-1 og A-8", som er pizza, kjøtt, grønnsaker, pasta, poteter, fisk, drikkevarer og popcorn, vises.
2. Trykk på "Start/+30 sek./Bekreft" for å bekrefte.
3. Drei "👉" for å velge standardvekten i henhold til menyoversikten.
4. Trykk på "Start/+30 sek./Bekreft" for å starte tilberedningen.



**Eksempel:** Hvis du vil bruke automenyen til å tilberede 350 g fisk:

1. Drei "👉" med urviseren til "A-6" vises på skjermen.
2. Trykk på "Start/+30 sek./Bekreft" for å bekrefte.
3. Drei på "👉" for å velge vekten for fisken, til det står 350 på skjermen.
4. Trykk på "Start/+30 sek./Bekreft" for å starte tilberedningen.

## 4 Bruk

### Autotilberedingsmeny

Meny	Vekt	Skjerm bilde
A-1 Pizza	200 g	200
	400 g	400
A-2 Kjøtt	250 g	250
	350 g	350
	450 g	450
A-3 Grønnsaker	200 g	200
	300 g	300
	400 g	400
A-4 Pasta	50 g (med 450 ml kaldt vann)	50
	100 g (med 800 ml kaldt vann)	100
A-5 Potet	200 g	200
	400 g	400
	600 g	600
A-6 Fisk	250 g	250
	350 g	350
	450 g	450
A-7 Drikkevarer	1 glass (120 ml)	1
	2 glass (240 ml)	2
	3 glass (360 ml)	3
A-8 Popcorn	50 g	50
	100 g	100

### 4.10 Tilbereding i flere trinn

Du kan maks angi to trinn for tilbereding. Hvis du bruker flertrinns tilbereding, og det ene trinnet er tining, må dette trinnet plasseres først.



Hvis du vil time maten i 5 minutter og deretter tilberede den i 7 minutter med 80 % mikrobølgeeffekt, gå du frem på følgende måte:

1. Trykk én gang på "Tining etter tid".

2. Drei på "🕒" for å velge tinetid, helt til det står "5:00" på skjermen.
3. Trykk én gang på "Mikrobølge". "P100" vises på LED-skjermen.
4. Trykk én gang på "Mikrobølge", eller drei på "🕒" for å angi 80 % mikrobølgeeffekt.
5. Trykk på "Start/+30 sek./Bekreft" for å bekrefte. "P80" vises på skjermen.
6. Drei på "🕒" for å justere tilberedings tiden, helt til ovnen viser "7:00".
7. Trykk på "Start/+30 sek./Bekreft" for å starte tilberedingen. Et lydsignal avgis for det første trinnet, og nedtelling for tining starter. Et nytt lydsignal avgis når det andre trinnet startes. Fem lydsignaler avgis når tilberedingen er ferdig.

### 4.11 Spørringsfunksjon

1. I modusene mikrobølge, grill og kombinasjon, kan du trykke på "Mikrobølge" eller "Grill/Kombinasjon" for å vise det nåværende effektnivået i 3 sekunder. Etter 3 sekunder går ovnen tilbake til forrige modus.
2. Trykk på "Tidsur/Klokke" under tilbereding for å vise nåværende klokkeslett i 3 sekunder.

### 4.12 Barnesikring

1. **Aktivere:** Når ovnen er i standbymodus, trykker du og holder inne "Stopp/Avbryt" i tre sekunder. Et lydsignal avgis for å indikere at barnesikringen er aktivert. Hvis klokkeslettet er stillt inn, vises også dette. Hvis ikke står det "🔒" på LCD-skjermen.
2. **Deaktivere:** Når barnesikringen er aktivert, deaktivere du den ved å trykke og holde inne "Stopp/Avbryt" i tre sekunder. Et lydsignal avgis for å indikere at barnesikringen er deaktivert.

### 4.13 Åpne døren

Trykk på  (Åpne dør). Døren åpnes.

## 5 Rengjøring og vedlikehold

### 5.1 Rengjøring



**ADVARSEL:** Bruk aldri bensin, løsemiddel, slipende rengjøringsmidler, metallgjenstander eller harde børster for å gjøre apparatet rent.



**ADVARSEL:** Senk aldri apparatet eller dets ledning ned i vann eller noen væske.

1. Slå av apparatet og koble strømstøpelet fra vegguttaket.
2. Vent til apparatet er helt avkjølt.
3. Hold ovnen ren innvendig. Tørk av ovnen med en fuktig klut hvis matsprut eller væskesøl sitter fast på veggene i ovnen. Hvis ovnen blir svært skitten kan du bruke et mildt rengjøringsmiddel. Unngå bruk av sprayer og andre kraftige rengjøringsmidler. Disse kan gi flekker og merker, og endre dørøverflatens gjennomskinnelighet.
4. Ovnens utvendige overflater skal rengjøres med en fuktig klut. Vann må ikke komme inn i ventilasjonsåpningene, for å hindre skade på delens driftskomponenter.
5. Tørk av begge sider av døren og glasset, dørpakninger og delene rundt pakningene ofte med en fuktig klut, for å fjerne flekker fra overkoking og annet søl. Ikke bruk slipende rengjøringsmidler.
6. Sørg for at kontrollpanelet ikke blir vått. Rengjør med en myk, fuktig klut. La døren på ovnen stå åpen for å hindre utilsiktet start av ovnen under rengjøring av kontrollpanelet.
7. Hvis det samler seg damp inni ovnen eller rundt ovnsdøren tørker du den bort med en myk klut. Dette kan oppstå når mikrobølgeovnen brukes under forhold med høy fuktighet. Dette er normalt.
8. En gang i blant må glassfatet tas ut og rengjøres. Vask fatet i varmt såpevann eller i oppvaskmaskin.

9. Rulleringen og bunnen i ovnen må rengjøres regelmessig for å hindre mye støy. Det er tilstrekkelig å tørke av flaten i bunnen av ovnen med et mildt rengjøringsmiddel. Rulleringen kan vaskes i varmt såpevann eller i oppvaskmaskin. Når du tar ut rulleringen for rengjøring, må du passe på at du setter den på plass igjen på riktig sted.
10. For å fjerne vondt lukt fra ovnen, setter du et glass vann med saft og skall fra en sitron i en dyp bolle som tåler mikrobølgeovn, inn i ovnen og kjører den i fem minutter i mikrobølgemodus. Tørk av grundig, og tørk med en myk klut.
11. Hvis lampen i ovnen må skiftes ut, må du kontakte et autorisert verksted.
12. Ovnens rengjøring skal gjøres regelmessig, og eventuelle matrester må fjernes. Hvis ovnen ikke holdes ren, kan dette føre til skader i overflaten som kan ha negativ innvirkning på apparatets levetid og som kan medføre risiko.
13. Apparatet skal ikke kastes sammen med husholdningsavfall. Gamle ovner skal leveres på kommunale innsamlingspunkter.
14. Når du bruker grillfunksjonen, kan det oppstå litt røyk og lukt. Dette forsvinner etter en viss tid.

### 5.2 Oppbevaring

- Hvis du ikke har tenkt å bruke apparatet på lang tid, vennligst vær nøye med hvordan du oppbevarer det.
- Vennligst sørg for at apparatet er koblet fra, avkjølt og helt tørt.
- Oppbevar apparatet på et tørt og kjølig sted.
- Hold apparatet utilgjengelig for barn.

## 5 Rengjøring og vedlikehold

### 5.3 Håndtering og transport

- Oppbevar apparatet i originalemballasjen under håndtering og transport. Emballasjen beskytter apparatet mot fysiske skader.
- Legg ikke tunge gjenstander på apparatet eller på emballasjen. Apparatet kan bli skadet.

- Hvis apparatet mistes, f.eks. i gulvet, kan det slutte å virke eller få permanente skader.

## 6 Feilsøking

Normal	
Mikrobølgeovnen forstyrrer TV-mottak.	Når mikrobølgeovnen brukes, kan det hende at den forstyrrer mottak av radio- og TV-signaler på samme måte som mindre apparater som mikserer, støvsugere og elektriske vifter kan føre til slike forstyrrelser. Dette er normalt.
Ovnslampen har svakt lys.	Under tilberedning ved lav effekt, kan det hende at ovnslampen lyser svakere. Dette er normalt.
Damp samles på døren, varm luft kommer ut av ventilasjonsåpningene.	Under tilberedning kan det komme varm damp fra maten. Det meste av denne dampen slippes ut gjennom ventilasjonsåpningene. Noe av dampen kan imidlertid samle seg på døren. Dette er normalt.
Ovnen ble ved et uhell startet uten av det var mat i den.	Det er ikke tillatt å bruke apparatet uten mat. Det er svært farlig.

Problem	Mulig årsak	Løsning
Ovnen starter ikke.	1) Strømkabelen er ikke riktig tilkoblet.	Koble den fra. Koble til igjen etter 10 sekunder.
	2) Sikringen er gått, eller kretsbyteren aktivert.	Skift sikringen eller tilbakestill kretsbyteren (repareres av fagpersonell eller vårt selskap).
	3) Feil på stikkkontakten.	Test stikkkontakten med annet elektrisk utstyr.
Ovnen varmer ikke.	4) Døren er ikke skikkelig lukket.	Lukk døren skikkelig.
Dreiehjulet lager lyd når ovnen er i bruk.	5) Dreiehjulet og bunnen av ovnen er skitne.	Se delen «Rengjøring og vedlikehold» om informasjon vedrørende rengjøring av skitne deler.
Det står «E-3» på skjermen, og ovnen virker ikke.	6) Døren kan ikke åpnes (på grunn av en hindring foran døren, lav spenning el.l.)	Koble den fra. Koble til igjen etter 10 sekunder.

## Lue tämä ohjekirja ennen kuin alat käyttämään tuotetta!

Hyvä asiakkaamme,

kiitos että ostit Cylinda-tuotteen. Toivomme, että saat parhaat tulokset tuotteestamme, joka on valmistettu korkealaatuiseksi ja viimeisintä tekniikkaa käyttämällä. Lue koko tämä käyttöohje ja muut mukana toimitetut asiakirjat huolellisesti ennen tuotteen käyttöä ja säilytä se tulevaa tarvetta tulevaa käyttöä varten. Jos luovutat tuotteen jollekin toiselle, anna mukaan myös tämä ohjekirja. Noudata kaikkia varoituksia ja tietoja käyttöohjeessa.

### Symbolien tarkoitus

Seuraavia symboleita on käytetty käyttöohjeen eri osissa:

	Tärkeää tietoa ja hyödyllisiä vinkkejä koskien tuotteen käyttöä.
	Varoitukset koskien hengenvaarallisia ja omaisuusvahinkoja koskevia tilanteita.
	Varoitus kuumista pinnoista.
	Varoitus koskien sähköiskua.



Tämä tuote on valmistettu ympäristöystävällisellä tavalla nykyaikaisessa tehtaassa luontoa vahingoittamatta.



# 1 Tärkeitä turvallisuutta ja ympäristöä koskevia ohjeita

## Tärkeitä turvallisuusohjeita, lue huolellisesti ja säilytä tulevaa tarvetta varten

### 1.1 Turvallisuusvaroitukset

Tämä osio sisältää turvallisuusohjeita, jotka auttavat suojautumaan tulipalolta, sähköiskulta, altistumiselta mikroaaltoenergialle, henkilö- ja omaisuusvahingoilta. Näiden ohjeiden noudattamatta jättäminen johtaa takuun raukeamiseen.

- Cylinda Mikroaaltouunit noudattavat voimassa olevia turvastandardeja, siksi jälleenmyyjän, huoltokeskuksen tai valtuutetun asiantuntijan on korjattava tai mahdollisesti vaurioitunut laite tai virtajohto, vaaratilanteiden välttämiseksi. Virheellinen tai valtuuttamaton korjaustyö voi olla vaarallista ja aiheuttaa vaaratilanteita käyttäjälle.
- Tämä laite on tarkoitettu kotitalous- ja vastaavaan käyttöön, kuten
  - Henkilökunnan keittiötiloissa kaupoissa, toimistoissa sekä muissa työympäristöissä;

- Maatiloilla
- hotellien, ja muiden asuntoympäristöjen asukkaat
- Aamiais- ja vastaavan kaltaisten majoitusten keskuudessa.
- Sitä ei ole suunniteltu teollisuustai laboratorioskäyttöön.
- Älä yritä käynnistää uunia, jos sen luukku on auki, voit altistua haitalliselle mikroaaltoenergialle. Turvalukkoja ei saa koskaan poistaa käytöstä tai muuttaa.
- Mikroaaltouuni on tarkoitettu elintarvikkeiden ja juomien lämmittämiseen. Ruokien tai vaatteiden kuivaus ja lämpötyynyjen, tossujen, sienien, kosteiden vaatteiden ja vastaavien lämmitys uunissa voi aiheuttaa henkilö- tai laitevahinkoja, räjähdyksen tai tulipalon.
- Älä aseta mitään esineitä laitteen etuosan ja luukun väliin. Älä anna lika- tai puhdistusainejäämien kerääntyä sulkemispinnoille.

# 1 Tärkeitä turvallisuutta ja ympäristöä koskevia ohjeita

- Valtuutetun henkilön/huolto- liikkeen on suoritettava kaikki huoltotyöt, joihin liittyy mikroaaltoenergialle altistumiselle suojaavien suojien irrottaminen. Mikä tahansa muu toiminta on vaarallista.
- Tuote on tarkoitettu ruoan keittämiseen, lämmittämiseen ja sulattamiseen. Sitä ei saa käyttää kaupalliseen tarkoitukseen.
- Uunia ei ole tarkoitettu elävien olentojen kuivaamiseen.
- Älä käytä laitetta vaatteiden tai keittiöpyyhkeiden kuivaamiseen.
- Älä käytä laitetta ulkona, kylpyhuoneessa, kosteissa tiloissa tai paikoissa, joissa se voi kastua.
- Emme hyväksy vastuuta tai takuuvaatimuksia vaurioista, jotka johtuvat laitteen väärinkäytöstä tai virheellisestä käsittelystä.
- Älä koskaan yritä purkaa laitetta. Emme hyväksy takuuvaatimuksia vaurioista, jotka johtuvat laitteen tarkoituksenvastaisesta käsittelystä.
- Käytä vain valmistajan suosittelemia tai alkuperäisiä varaosia.
- Älä jätä laitetta ilman valvontaa käytön aikana.
- Käytä laitetta vakaalla, tasaisella, puhtaalla, kuivalla ja luistamattomalla pinnalla.
- Tätä laitetta ei saa ohjata ulkoisella kelloajastimella tai kaukosäätimellä.
- Puhdista kaikki osat ennen laitteen ensimmäistä käyttökertaa. Katso ohjeet osassa "Puhdistus ja kunnossapito".
- Käyttö laitetta vain sen käyttötaroituksen mukaisesti käyttöohjeessa kuvatulla tavalla.
- Laite kuumentuu käytön aikana. Varo koskemasta uunin sisällä oleviin kuumiin osiin.
- Älä käytä uunia tyhjänä.
- Ruoanvalmistusvälineet voivat kuumentua lämmitettävästä ruoasta niihin siirtyvästä lämmöstä johtuen. Käytä tarvittaessa käsi- neitä ruoanvalmistusvälineiden käsittelyssä.
- Ruoanvalmistusvälineet tulee tarkastaa mikroaaltouunissa käyttöön soveltuvuuden varmistamiseksi.

# 1 Tärkeitä turvallisuutta ja ympäristöä koskevia ohjeita

- Älä aseta uunia liedon tai muun lämpöä muodostavan laitteen päälle. Muutoin se voi vaurioitua ja takuu mitätöityä.
- Höyryä voi syntyä, kun kansi tai folio avataan ruoan valmistamisen jälkeen.
- Laite ja sen pinnat voivat olla erittäin kuumia sen käytön aikana.
- Luukku ja sen lasi voivat olla erittäin kuumia sen käytön aikana.
- Varmista, että virransyöttö vastaa laitteen arvokilvessä esitettyjä tietoja.
- Ainoa tapa irrottaa laite virransyötöstä on irrottaa virtapistoke pistorasiasta.
- Liitä laite vain maadoitettuun pistorasiaan.
- Älä käytä laitetta, jos virtajohto tai itse laite on vahingoittunut.
- Älä käytä laitetta jatkojohdon kanssa.
- Älä koskaan koske laitteeseen tai sen virtapistokkeeseen kosteilla tai märillä käsillä.
- Laite on sijoitettava niin, että virtapistokkeeseen päästään käsiksi.
- Älä aseta virtajohtoa puristuksiin, taivuta sitä ja estä sen hankaantumisen teräviä reunoja vastaan. Pidä virtajohto etäällä kuumista pinnoista ja avotulesta.
- Varmista, että virtajohtoa ei voida irrottaa vahingossa tai että siihen ei voida kompastua laitteen käytön aikana.
- Irrota laite virransyötöstä, ennen sen puhdistamista ja kun se ei ole käytössä.
- Älä irrota laitteen virtajohtoa virransyötöstä siitä vetämällä tai kääri sitä laitteen ympärille.
- Älä upota laitetta, virtajohtoa tai virtapistoketta veteen tai muihin nesteisiin. Älä pidä sitä juoksevan veden alla.
- Syttymisvaaran vuoksi uunia on pidettävä silmällä, jos ruokaa lämmitetään muovi- tai paperiastioissa.
- Irrota metallikiinnikkeet paperisista tai muovisista säilytysastioista/pusseista ennen niiden laittamista uuniin.

# 1 Tärkeitä turvallisuutta ja ympäristöä koskevia ohjeita

- Jos huomaat savua, sammuta laite, jos tämä on turvallista tai irrota verkkopistoke ja pidä luukku kiinni, jotta liekit tukahtuvat.
- Älä käytä mikroaaltouunia varastointitarkoitukseen. Älä jätä paperiesineitä, keittomateriaaleja tai ruokaa uunin sisään, kun sitä ei käytetä.
- Vauvojen pullojen ja ruokapurkkien sisältö tulee ravistella ja sekoittaa ja niiden lämpötila on tarkastettava ennen käyttöä palovammojen välttämiseksi.
- Tämä laite on Ryhmän 2 Luokan B ISM laite. Ryhmään 2 kuuluu kaikki ISM (teollisuuden, tieteen ja lääketieteen) laitteet, joissa luodaan radiotaajuusenergiaa tarkoituksella ja/tai sähkömagneettisen säteilyn luomiseen materiaalien käsittelyyn ja kipinäeroosiolaitteille.
- Luokan B laite sopii käyttöön kotitalouksissa ja tiloissa, joissa se liitetään suoraan pienjänniteverkkoon.
- Älä käytä paistoöljyä uunissa. Kuuma öljy voi vaurioittaa uunin komponentteja ja materiaaleja, ja johtaa palovammoihin.
- Lävistä elintarvikkeet paksulla kuorella, kuten perunat, kesäkurpitsat, omenat ja kastanjat.
- Laite on sijoitettava niin, että sen takaosa on seinää päin.
- Kiinnitä kääntöpöytä ennen laitteen siirtämistä, sen vaurioitumisen välttämiseksi.
- Kuorimattomia kananmunia tai kokonaisia kovaksi keitettyjä munia ei saa kuumentaa mikroaaltouunissa, koska ne voivat räjähtää vielä kypsentämisen päätyttyäkin.

**VAROITUS:** Jos uuninluukku tai luukun tiivisteet ovat vaurioituneet, uunia ei saa käyttää ennen kuin ammattihenkilö on sen korjannut.

**VAROITUS:** Huolto- tai korjaustoimenpiteet, jotka edellyttävät mikroaaltoenergialta suojaavan kannen poistamista, ovat vaarallisia muille kuin ammattihenkilölle.

# 1 Tärkeitä turvallisuutta ja ympäristöä koskevia ohjeita

**VAROITUS:** Nesteitä ja muita ruokia ei saa kuumentaa umpinaisissa astioissa räjähdysvaaran vuoksi.

- Uuni tulee puhdistaa säännöllisesti ja poistaa kaikki ruokajäämät.
- Uunin yläpinnan yläpuolella tulee olla vähintään 20 cm:n vapaa tila.
- Älä ylikeitä ruokaa, se voi johtaa tulipaloon.
- Älä käytä kemikaaleja ja höyrypuhdistinta laitteen puhdistamiseen.
- Ole erittäin varovainen, kun laitetta käytetään lasten ja sellaisten henkilöiden läheisyydessä, joiden fyysinen, aistillinen tai henkinen kyky on rajoitettu.
- Tätä laitetta ei saa käyttää alle 8 vuotiaat lapset ja henkilöt joiden fyysiset, aistinvaraiset tai henkiset kyvyt ovat alentuneet, tai joilla ei ole riittävää kokemusta tai tietoa, paitsi jos heidän turvallisuudestaan vastaava henkilö valvoo tai neuvoo heitä laitteen käytössä. Älä anna lasten leikkiä laitteella.

Lapset ilman valvontaa eivät saa suorittaa puhdistus- tai kunnossapitotoimintoja.

- **Tukehtumisvaara!** Pidä kaikki pakkausmateriaalit poissa lasten ulottuvilta.
- Johtuen grilli- ja yhdistelmätiloista syntyvästä korkeasta lämmöstä, lapset saavat käyttää näitä tiloja vain aikuisen valvonnassa.
- Pidä tuote ja sen virtajohto alle 8-vuotiaiden lasten ulottumattomissa.
- Älä valmista ruokaa suoraan lasialustalla. Aseta ruoka sopivaan keittoastiaan ennen sen sijoittamista uuniin.
- Metallisia ruoka- ja juomasäiliöitä ei saa käyttää mikroaaltokypsennykseen. Tämä voi johtaa kipinäintiin.
- Mikroaaltouunia ei saa asentaa kaappiin, joka ei ole asennusohjeiden mukainen.
- Mikroaaltouuni on yksinomaan upotettava malli.

# 1 Tärkeitä turvallisuutta ja ympäristöä koskevia ohjeita

- Jos upotettavia laitteita käytetään yli 900 mm:n korkeudella lattiasta, varo ettei kääntöpöytä siirry pois paikaltaan, kun säiliöitä poistetaan laitteesta.
- Jos sisäänrakennettava kaappi on varustettu ovella, on tuotetta käytettävä ovi avattuna.

## 1.2 Sähkö- ja elektroniikkaromua koskevan direktiivin (WEEE) vaatimustenmukaisuus ja tuotteen hävittäminen:

Tämä tuote noudattaa Euroopan unionin sähkö- ja elektroniikkaromua koskevaa direktiiviä 2012/19/EY (WEEE-direktiivi). Tässä tuotteessa on sähkö- ja elektroniikkalaitteiden (WEEE) kierrätysymboli.



Tämä symboli ilmoittaa, että tuotetta ei tule sen käyttöiän päättyessä hävittää tavanomaisen kotitalousjätteen mukana. Tuote tulee toimittaa viralliseen sähkö- ja elektroniikkalaitteiden kierrätyspisteeseen. Tietoja paikallisista kierrätyspisteistä saat paikallisilta viranomaisilta ja myymälästä, josta tuote on ostettu. Kotitalouksilla on tärkeä rooli vanhojen laitteiden keräämisessä ja kierrättämisessä. Kun hävität käytetyt laitteet vaatimusten mukaisella tavalla olet mukana torjumassa tällaisista laitteista aiheutuvia ympäristö- ja terveyshaittoja.

## 1.3 RoHS-direktiivin vaatimustenmukaisuus:

Valitsemasi tuote noudattaa Euroopan unionin tiettyjen vaarallisten aineiden käytön rajoittamisesta sähkö- ja elektroniikkalaitteissa koskevaa direktiiviä 2011/65/EY (RoHS-direktiivi). Laite ei sisällä direktiivissä määritettyjä haitallisia ja kiellettyjä materiaaleja.

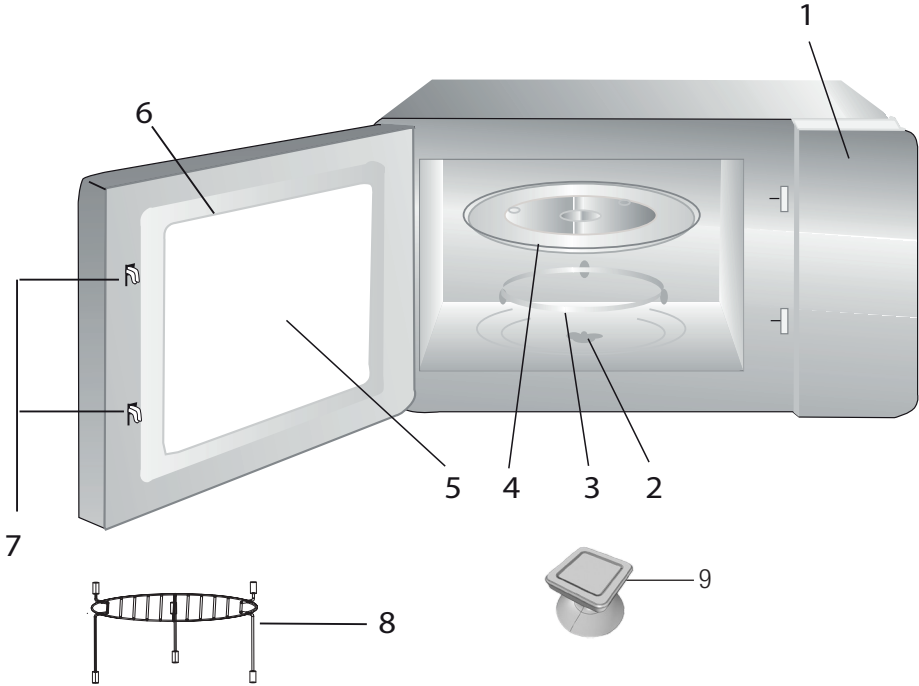
## 1.4 Pakkaustiedot



Tuotteen pakkaus on valmistettu kierrätettävistä materiaaleista paikallisen lainsäädännön mukaisesti. Älä hävitä pakkausmateriaaleja yhdessä muiden kotitalousjätteiden tai muiden jätteiden kanssa. Vie pakkausmateriaalit paikallisten viranomaisten ilmoittamiin keräyspisteisiin.

## 2 Mikroaaltouuni

### 2.1 Yleiskatsaus



### Ohjaimet ja osat

1. Ohjauspaneeli
2. Pyörivän lautasan akseli
3. Pyörivän lautasan tuki
4. Lasinen alusta
5. Uunin ikkuna
6. Luukut
7. Luukun turvalukitusjärjestelmä
8. Grilliritilä (käytetään vain yhdessä grillaustoiminnon kanssa ja sijoitetaan lasiselle alustalle)
9. Tyhjiönostin manuaalista oven avaamista varten

### 2.2 Tekniset tiedot

<b>Virrankulutus</b>	230 V~50 Hz, 1450 W (mikroaaltouuni) 1000 W (grilli)
<b>Teho</b>	900 W
<b>Käyttötaajuus</b>	2450 MHz
<b>Ulkoiset mitat (K*L*S)</b>	388*595*400 mm
<b>Uunin kapasiteetti</b>	25 litraa
<b>Nettopaino</b>	18.5 kg

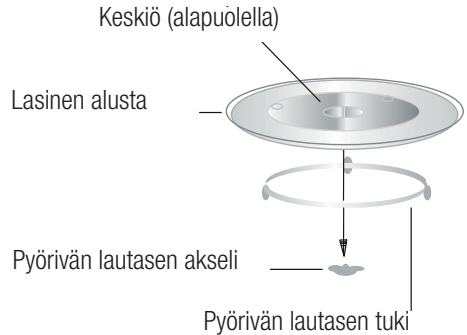
Oikeus teknisiin ja muotoilun muutoksiin pidätetään.

Tuotteen merkinnöissä tai muussa tuotteen toimitukseen kuuluvassa painetussa materiaalissa ilmoitetut arvot on saatu laboratorio-olosuhteissa asiaankuuluvien standardien mukaisesti. Nämä arvot voivat vaihdella laitteen käyttö- ja ympäristöolosuhteiden mukaan. Tehoarvot on testattu käyttäen 230 V:n jännitettä.

## 2 Mikroaaltouuni

### 2.3 Kääntyvän lautasen asentaminen

- Älä koskaan asenna lasista alustaa väärinpäin. Lasisen alustan liikettä ei koskaan saa rajoittaa.
- Lasista alustaa ja sen kannatinta tulee aina käyttää kypsennyksen aikana.
- Kaikki ruoat ja ruokaa sisältävät astiat tulee aina sijoittaa lasiselle alustalle kypsentämistä varten.
- Jos lasinen alusta tai sen kannatin halkeavat tai murtuvat, ota yhteyttä lähimpään valtuutettuun huoltokeskukseen.



## 3 Asennus ja liitäntä

### 3.1 Asennus ja liitäntä

- Irrota kaikki pakkausmateriaalit ja lisävarusteet. Tarkista ettei uunissa ole vaurioita kuten lomoja tai rikkinäistä luukkua. Älä asenna uunia jos se on vaurioitunut.
- Irrota kaikki suojakalvot mikroaaltouunikaapin pinnalta.
- Älä poista vaaleanruskeaa mica-eristemateriaalia, joka on kiinnitetty uunin sisään magnetronin suojaamiseksi.
- Tämä laite on suunniteltu vain kotitalouskäyttöä varten.
- Tämä uuni on tarkoitettu ainoastaan sisäänrakennettuun käyttöön. Sitä ei ole tarkoitettu käytettäväksi pöydän päällä tai kaapissa.
- Noudata erityisiä asennusohjeita.
- Laite voidaan asentaa 60cm leveään, seinään kiinnitettävään kaapin sisään (joka on ainakin 50 cm syvä ja 85 cm lattiatason yläpuolella).
- Laitteessa on pistoke ja se tulee kytkeä ainoastaan oikein asennettuun maadoitettuun pistorasiaan.

- Pistorasian jännitteen on vastattava laitteen tyyppikilvessä annettuja arvoja.
- Jos pistoketta ei ole enää vapaasti saatavilla asennuksen jälkeen, moninapainen eristyskytkin jonka kosketusväli on vähintään 3 mm, tulee olla paikoillaan asennuspuolella.
- Sovittimia, jakorasioita ja jatkojohtoja ei tule käyttää. Mikroaaltouunin ylikuormitus voi aiheuttaa tulipalovaaran.



Laitteen käytettävissä olevat pinnat voivat kuumentua käytön aikana.



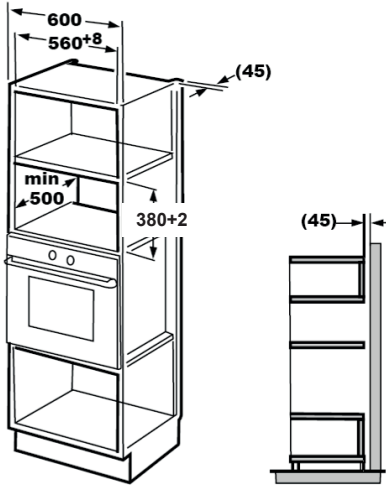
Älä jätä verkkojohtoa puristuksiin tai taita sitä.



# 3 Asennus ja liittäntä

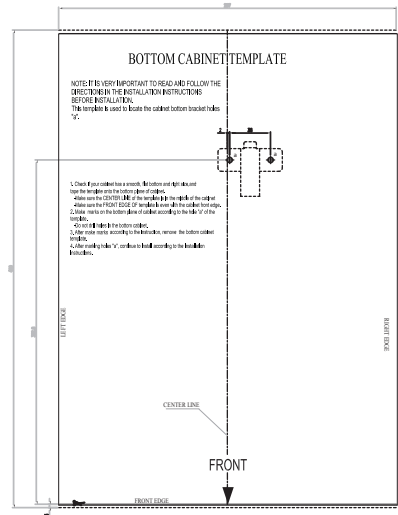
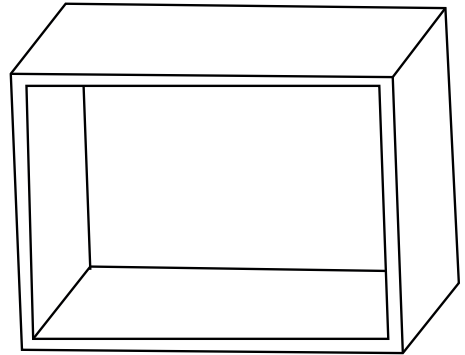
## 3.2 Sisäänrakennettu asennus

### 3.2.1 Huonekalujen mitat sisäänrakennettua asennusta varten



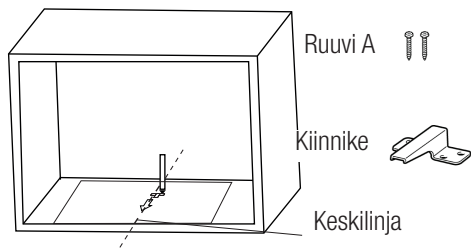
## 3.2.2 Kaapin valmistelut

1. Lue ohjeet alakaapin mallipohjasta ja aseta malli kaapin pohjatasolle.

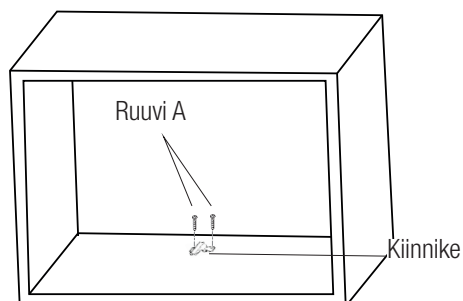


## 3 Asennus ja liitäntä

2. Tee merkinnät kaapin pohjatasolle mallissa olevien "a" merkintöjen mukaan.



3. Irrota alemman kaapin malli ja kiinnitä kiinnike ruuvilla A.



### 3.2.3 Mikroaaltouunin kiinnittäminen

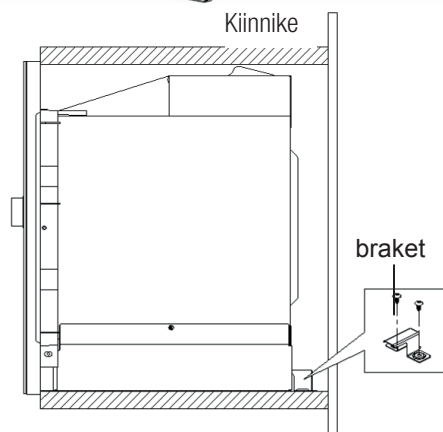
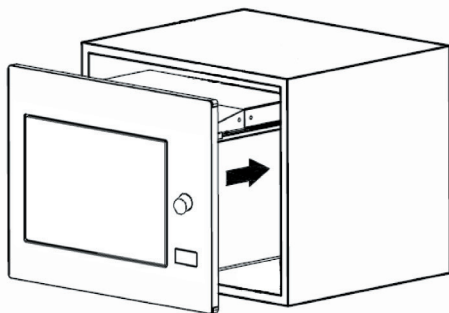
1. Asenna mikroaaltouuni kaappiin.



Varmistu siitä että uunin takaosa on lukittu kiinnikkeen avulla.

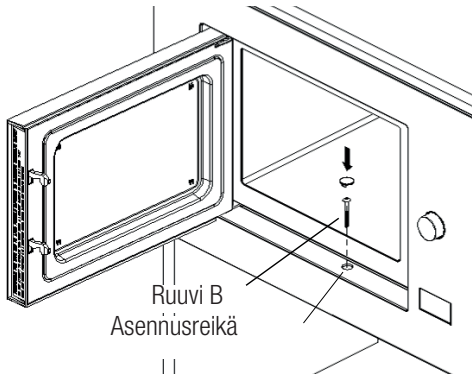


Älä jätä verkkojohtoa puristuksiin tai taita sitä.



## 3 Asennus ja liitäntä

2. Avaa ovi ja kiinnitä mikroaaltouuni kaappiin ruuvilla B asennusreiän kautta. Kiinnitä sitten leikkausliuskapakkauksen muovisuojaus asennusreikään.



### 3.3 Radiotaajuushäiriöt



Mikroaaltouunin käyttö voi aiheuttaa häiriöitä radion, TV:n ja vastaavien laitteiden toiminnassa.

- Aseta mikroaaltouuni niin kauas radiosta ja TV:stä kuin mahdollista. Mikroaaltouunin käyttö voi aiheuttaa häiriöitä radio- tai televisiolähetysajan aikana. 2. Liitä mikroaaltouuni tavanomaiseen pistorasiaan. Varmistu siitä että verkon jännite ja taajuus vastaavat laitteen tyyppikilvessä mainittuja arvoja.
- Häiriöiden ilmetessä, niitä voidaan vähentää tai eliminoida ryhtymällä seuraaviin varotoimiin:
- Puhdista uunin luukku ja tiivisteiden pinta.
- Suuntaa radion tai TV:n antenni uudelleen.
- Vaihda mikroaaltouunin sijaintia vastaanottimen sijainnista riippuen.
- Sijoita mikroaaltouuni kauas vastaanottimesta.
- Liitä mikroaaltouuni toiseen pistorasiaan, silloin mikroaaltouuni ja vastaanotin ovat eri sähkövirtapiirissä.

### 3.4 Mikroaaltokypsennyksen periaatteet

- Valmista ruoka huolellisesti. Aseta jäljellä olevat osat lautasen ulkopuolelle.
- Kiinnitä huomiota kypsennysaikaan. Kypsennä lyhyimmässä määritellyssä ajassa ja lisää aikaa tarvittaessa. Ylikypsennetty ruoka voi savuta tai palaa.
- Peitä ruoka valmistamisen ajaksi. Ruoan peittäminen estää roiskeet ja auttaa varmistamaan, että ruoka kypsentyä tasaisesti.
- Käänä ruoanvalmistuksen aikana ruokia, kuten siipikarjaa tai jauhelihapihvejä nopeuttaaksesi ruokien kypsentämistä. Suuremmat ruoat, kuten paisti, tulee kääntää toisinpäin vähintään kerran.
- Jos kypsennät esimerkiksi lihapullia, käännä ne ruoanvalmistuksen aikana ylösalaisin ja sekoita niitä lautasen keskeltä reunoille ja päinvastoin.

### 3.5 Maadoitusohjeet

Tämä laite on maadoitettava. Tämä laite sisältää maadoitetun johdon maadoitetulla virtapistokkeella. Laite tulee kytkeä ainoastaan oikein asennettuun maadoitettuun pistorasiaan. Maadoitusjärjestelmässä sähkövirta poistuu vuotojohdon kautta oikosulun tapahtuessa ja pienentää sähköiskun vaaraa. Suosittelemme käyttämään yksinomaan uunille varattua sähkövirtapiiriä. Korkean jännitteen käyttö on vaarallista ja voi aiheuttaa tulipalon tai muita onnettomuuksia, jotka voivat vahingoittaa uunia.



**VAROITUS:** Maadoituspistokkeen väärinkäyttö voi aiheuttaa sähköiskun.



Jos sinulla on kysyttävää maadoituksesta tai sähköasennuksesta, ota yhteyttä valtuutettuun sähköasentajaan tai huoltoon.

## 3 Asennus ja liitäntä



Valmistaja ja/tai jälleenmyyjä ei ota mitään vastuuta loukkaantumisesta tai uunille aiheutuvasta vahingosta, joka voi aiheutua jos sähköliitäntöjä ei tehdä oikein.

### 3.6 Astiakoe

Älä koskaan käynnistä mikroaaltouunia tyhjänä. Ainoa poikkeus on astiakoe joka on kuvattu seuraavassa osiossa. Jotkut ei metalliset astiat eivät ehkä sovellu käytettäväksi mikroaaltouunissa. Jos et ole varma, sopii ko astiasi mikroaaltouunikäyttöä varten, voit suorittaa seuraavan kokeen.

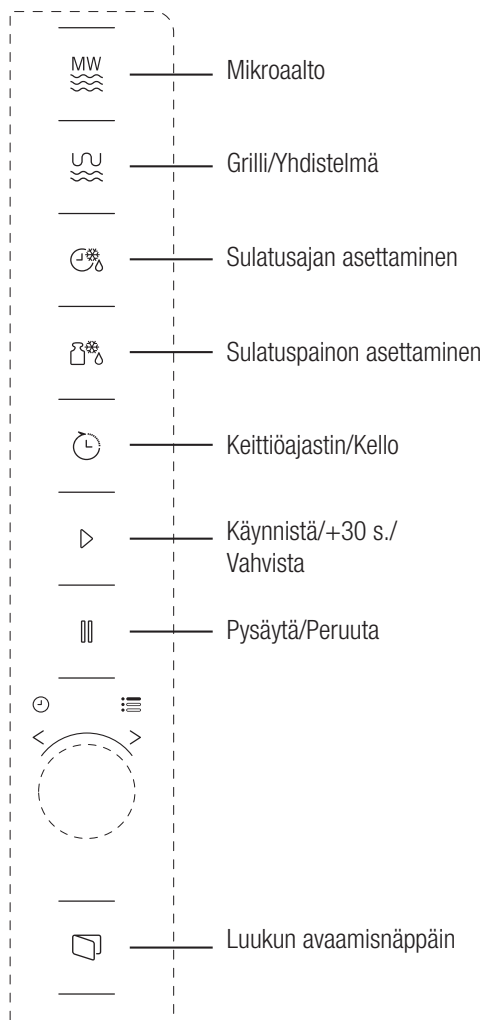
1. Aseta tyhjä astia jolle haluat suorittaa kokeen mikroaaltouuniin yhdessä mikronkestävän lasin kanssa joka on täytetty 250 ml vettä.
2. Käytä mikroaaltouunia maksimiteholla 1 minuutin ajan.
3. Tarkista varovasti astian lämpötila. Jos astia on lämmin, se ei sovellu käytettäväksi mikroaaltouunissa.
4. Älä koskaan ylitä 1 minuutin käyttöaikaarajaa. Jos huomaat kipinöintiä tämän minuutin aikana, sammuta mikroaaltouuni. Astiat, jotka aiheuttavat kipinöintiä, eivät sovellu käytettäväksi mikroaaltouunissa.

Seuraava luettelo on yleisohje, jonka avulla valitset oikean astian.

Kypsennysastia	Mikroaaltouuni	Grilli	Yhdistelmä
Kuumuutta kestävä lasi	Kyllä	Kyllä	Kyllä
Kuumuutta kestämatön lasi	Ei	Ei	Ei
Kuumuutta kestävät keraamiset astiat	Kyllä	Kyllä	Kyllä
Mikroaaltouunikäyttöön soveltuvat muoviasiat	Kyllä	Ei	Ei
Pahviset astiat	Kyllä	Ei	Ei
Metalliasia	Ei	Kyllä	Ei
Metalliritilä	Ei	Kyllä	Ei
Alumiinifolio ja foliokannet	Ei	Kyllä	Ei
Vaahtomuovimateriaalit	Ei	Ei	Ei

## 4 Käyttö

### 4.1 Ohjauspaneeli



### 4.2 Ajan asettaminen

Mikroaaltouunin kytkeytyessä päälle "0:00" esitetään LED-näytössä, laitteen päästäessä äänimerkin.

1. Paina "Keittiöajastin/Kello"-painiketta kahdesti ja tunnit alkavat vilkkua.
2. Kierrä "👉" säätääksesi tunnit, arvon tulee olla välillä 0 - 23.
3. Paina "Keittiöajastin/Kello"-painiketta kahdesti ja minuutit alkavat vilkkua.
4. Kierrä "👉" säätääksesi minuutit, arvon tulee olla välillä 0 - 59.
5. Paina "Keittiöajastin/Kello"-painiketta päättääksesi ajan asettamisen. ":" symboli vilkkuu, ja aika syttyy palamaan näyttöön.



Jos painat "Pysäytä/Peruuta"-painiketta aikaa asettaessasi, uuni palaa automaattisesti takaisen edelliseen tilaan.

### 4.3 Kypsentäminen mikroaaltouunilla

1. Paina "Mikroaalto"-painiketta ja "P100" esitetään LED-näytössä.
2. Paina "Mikroaalto"-painiketta uudelleen tai kierrä "👉" valitaksesi haluamasi tehon. Joka kerta kun painat näppäintä, "P100, P80, P50, P30 tai P10" esitetään näytössä vastaavasti.
3. Paina "Käynnistä/+30 sek./Vahvista"-painiketta vahvistaaksesi ja kierrä "👉" asettaaksesi kypsen sennysajan välillä 0:05 ja 95:00.
4. Paina "Käynnistä/+30 sek./Vahvista"-painiketta uudelleen aloittaaksesi kypsennyksen.



**Esimerkiksi:** Jos haluat käyttää 80% mikroaaltotehoa kypsentaaksesi ruokaa 20 minuutin ajan, voit käyttää uunia noudattaen seuraavia vaiheita.

## 4 Käyttö

5. Paina "Mikroaalto"-painiketta kerran ja "P100" esitetään näytössä.
6. Paina "Mikroaalto"-painiketta uudelleen tai kierrä "💡" asettaaksesi mikroaaltotehon 80 %.
7. Paina "Käynnistä/+30 sek./Vahvista"-painiketta vahvistaaksesi ja "P80" esitetään näytössä.
8. Kierrä "💡" säätääksesi kypsennysaikaa kunnes "20:00" tulee esiin.
9. Paina "Käynnistä/+30 sek./Vahvista"-painiketta aloittaaksesi kypsennämisen.
2. Paina "Käynnistä/+30 sek./Vahvista"-painiketta vahvistaaksesi ja kierrä "💡" asettaaksesi kypsentämisen sennysajan välillä 0:05 ja 95:00.
3. Paina "Käynnistä/+30 sek./Vahvista"-painiketta uudelleen aloittaaksesi kypsennämisen.

### Vaiheet ajan asettamista varten koodauspainikkeella ovat seuraavat:

Ajan asettaminen	Ajan lisääminen
0-1 minuuttia	5 sekuntia
1-5 minuuttia	10 sekuntia
5-10 minuuttia	30 sekuntia
10-30 minuuttia	1 minuuttia
30-95 minuuttia	5 minuuttia

### Mikroaaltouunin näppäimistön käyttöohje

Järjestys	Näyttö	Mikroaaltoteho
1	P100	100 %
2	P80	80 %
3	P50	50 %
4	P30	30 %
5	P10	10 %

### 4.4 Kypsennys käyttäen grilli- tai yhdistelmätoimintoa

1. Paina "Grilli/Yhdistelmä"-painiketta ja "G" esitetään LED-näytössä. Paina "Grilli/Yhdistelmä"-painiketta toistuvasti tai kierrä "💡" valitaksesi haluamasi tehon. Joka kerta kun painat näppäintä, "G, C-1 tai C-2" esitetään näytössä vastaavasti.



**Esimerkiksi:** Jos haluat käyttää 55 % mikroaalto- ja 45 % grillaustehoa (C-1) kypsentääksesi ruokaa 10 minuutin aikana, voit käyttää uunin noudattaen seuraavia vaiheita.

1. Paina "Grilli/Yhdistelmä"-painiketta kerran ja "G" esitetään näytössä.
2. Paina "Grilli/Yhdistelmä"-painiketta toisen kerran tai kierrä "💡" valitaksesi yhdistelmätilan 1.
3. Paina "Käynnistä/+30 sek./Vahvista"-painiketta vahvistaaksesi ja "C-1" esitetään näytössä.
4. Kierrä "💡" säätääksesi kypsennysaikaa kunnes "10:00" esitetään näytössä.
5. Paina "Käynnistä/+30 sek./Vahvista"-painiketta aloittaaksesi kypsennämisen.

### "Grilli/Yhdistelmä"-toiminnon näppäimistön käyttöohje

Järjestys	Näyttö	Mikroaaltoteho	Grilli teho
1	G	0 %	100 %
2	C-1	55 %	45 %
3	C-2	36 %	64 %



Kun puolet grillausajasta on kulunut uuni päästää äänimerkin kahdesti, tämä on normaalia. Jotta grillaustoiminto tehostuisi, käännä kypsennämiä ruoka toisin päin, sulje luukku, ja paina sitten "Käynnistä/+30 sek./Vahvista"-painiketta jatkaaksesi kypsennämistä. Jos mitään toimintoa ei suoriteta, uuni jatkaa kypsennämistä.

## 4 Käyttö

### 4.5 Pikakäynnisty

1. Ollessasi valmiustilassa, paina "Käynnistä/+30 sek./Vahvista"-painiketta aloittaaksesi kypsennyksen 100 % mikroaaltoteholla. Aina kun painat näppäintä, kypsennysaika kasvaa 30 sekunnin askeleissa 95 minuuttiin asti.
2. Mikroaaltokypsennyksessä, grillaus- ja yhdistelmätoimintoa tai ajastettua sulatusta käytettäessä, kypsennysaika kasvaa 30 sekuntia aina kun painat "Käynnistä/+30 sek./Vahvista"-painiketta.
3. Ollessasi valmiustilassa, kierrä "💡" vastapäivään asettaaksesi kypsennysajan 100 % mikroaaltoteholla ja paina "Käynnistä/+30sek./vahvista"-painiketta aloittaaksesi kypsennyksen.



Käyttäessäsi automaattista valikkoa tai sulatustilaa painon mukaan, painamalla "Käynnistä/+30 sek./Vahvista"-painiketta kypsennysaika ei muutu.

### 4.6 Sulatuspainon asettaminen

1. Paina "Sulatuspainon asettaminen"-painiketta kerran.
2. Kierrä "💡" asettaaksesi ruoan painon 100–2000 g.
3. Paina "Käynnistä/+30 sek./Vahvista"-painiketta käynnistääksesi sulatuksen.

### 4.7 Sulatusajan asettaminen

1. Paina "Sulatusajan asettaminen"-painiketta kerran.
2. Kierrä "💡" valitaksesi sulatusajan. Sulatuksen enimmäiskesto on 95 minuuttia.
3. Paina "Käynnistä/+30 sek./Vahvista"-painiketta käynnistääksesi sulatuksen. Sulatusteho on P30 eikä sitä voida muuttaa.

### 4.8 Keittiöajastin (laskuri)

Uunisi on varustettu automaattisella laskurilla jota ei ole yhdistetty uunin toimintoihin ja jota voidaan käyttää erikseen keittiössä (arvoksi voidaan asettaa enint. 95 minuuttia.)

1. Paina "Keittiöajastin/Kello"-painiketta kerran ja 00:00 esitetään LED-näytössä.
2. Kierrä "💡" syöttääksesi oikean ajan.
3. Paina "Käynnistä/+30sek./vahvista"-painiketta vahvistaaksesi asetuksen.
4. Kun syötetyn ajan laskuri saavuttaa 00:00, laite päästää äänimerkin 5 kertaa peräkkäin. Jos aika on asetettu käyttäen 24 tunnin järjestelmää, nykyinen aika esitetään LED-näytössä.

Paina "Pysäytä/Peruuta"-painiketta sammuttaaksesi ajastimen koska tahansa.



Keittiöajastin toimii eri tavalla kuin 24 tunnin järjestelmä. Ajastin toimii ainoastaan ajastimena.



### 4.9 Automaattinen valikko

1. Kierrä "💡" myötöpäivään valitaksesi haluamasi valikon. Valinnat "A-1 ja A-8", nimeltään pizza, liha, kasvikset, pasta, perunat, kala, juomat ja popcorn, tulevat esiin.
2. Paina "Käynnistä/+30sek./vahvista"-painiketta vahvistaaksesi.
3. Kierrä "💡" valitaksesi oletuspainon valikkotaulun mukaisesti.
4. Paina "Käynnistä/+30 sek./Vahvista"-painiketta aloittaaksesi kypsennyksen.



**Esimerkiksi:** Jos haluat käyttää "Autom. valikkoa" kypsennääksesi 350 g kalaa:

## 4 Käyttö

1. Kierrä “” myötöpäivään kunnes “A-6” esitetään näytössä.
2. Paina “Käynnistä/+30sek./vahvista”-painiketta vahvistaaksesi.
3. Kierrä “” valitaksesi kalan painon kunnes 350 esitetään näytössä.
4. Paina “Käynnistä/+30 sek./Vahvista”-painiketta aloittaaksesi kypsennyksen.

### Automaattinen kypsennysvalikko




Valikko	Paino	Näyttö
A-1 Pizza	200 g	200
	400 g	400
A-2 Liha	250 g	250
	350 g	350
	450 g	450
A-3 Kasvikset	200 g	200
	300 g	300
	400 g	400
A-4 Pasta	50 g (yhdessä 450 ml kanssa kylmää vettä)	50
	100 g (yhdessä 800 ml kanssa kylmää vettä)	100
A-5 Perunoita	200 g	200
	400 g	400
	600 g	600
A-6 Kala	250 g	250
	350 g	350
	450 g	450
A-7 Juomat	1 lasillinen (120 ml)	1
	2 lasillista (240 ml)	2
	3 lasillista (360 ml)	3
A-8 Popcorn	50 g	50
	100 g	100

### 4.10 Monivaiheinen ruoanlaitto

Enintään 2 vaihetta voidaan asettaa kypsennyksen varten. Monivaiheisessa ruoanlaitossa, jos yksi vaiheista on sulattaminen, sulattaminen tulee asettaa ensimmäiseksi.



Jos haluat sulattaa ruokaa 5 minuutin ajan ja kypsennää sitä 80% mikroaaltoteholla 7 minuutin ajan, suorita seuraavat vaiheet:

1. Paina “Sulatusajan asettaminen”-painiketta kerran.
2. Kierrä “” valitaksesi sulatusajan kunnes “5:00” esitetään näytössä.
3. Paina “Mikroaalto”-painiketta kerran ja “P100” esitetään näytössä.
4. Paina “Mikroaalto”-painiketta uudelleen tai kierrä “” asettaaksesi mikroaaltotehon 80 %.
5. Paina “Käynnistä/+30 sek./Vahvista” vahvistaaksesi ja “P 80” esitetään näytössä.
6. Kierrä “” säätääksesi kypsennysaikaa kunnes “7:00” esitetään näytössä.
7. Paina “Käynnistä/+30sek./vahvista”-painiketta aloittaaksesi kypsennyksen. Laite päästää äänimerkin kerran ensimmäistä vaihetta varten ja sulatusajan laskenta käynnistyy. Laite päästää äänimerkin uudelleen toisen kypsennysvaiheen alussa. Laite päästää äänimerkin 5 kertaa peräkkäin kypsennyksen päätteeksi.

### 4.11 Muistitoiminto

1. Mikroaalto, grillaus- ja yhdistelmätilassa, paina “Mikroaalto”- tai “Grilli/Yhdistelmä”-painiketta ja nykyinen tehotaso esitetään näytössä 3 sekunnin ajan. 3 sekunnin kuluttua, laite palaa takaisin edelliseen tilaan.
2. Ruokaa kypsennätessäsi, paina “Keittiöajastin/Kello”-painiketta ja nykyinen aika tulee esiin 3 sekunnin ajaksi.




## 4 Käyttö

### 4.12 Lapsilukko

1. **Lapsilukon asettaminen:** Ollessasi valmiustilassa, paina "Pysäytä/Peruuta"-painiketta 3 sekunnin ajan, jolloin laite päästää äänimerkin ilmaisten lapsilukon olevan asetettu päälle. Jos kellonaika on jo asetettu, näytetään myös nykyinen aika: muussa tapauksessa "☐" esitetään LED-näytössä.
2. **Lapsilukon purkaminen:** Purkaaksesi lapsilukon, paina "Pysäytä/Peruuta"-painiketta 3 sekunnin ajan jolloin laite päästää pitkän äänimerkin ilmaisten lapsilukon olevan asetettu pois päältä.

### 4.13 Uunin luukun avaaminen

Paina  (avaa luukku) jolloin luukku avautuu.

## 5 Puhdistaminen ja kunnossapito

### 5.1 Puhdistaminen



**VAROITUS:** Älä koskaan käytä bensiiä, liuotinaineita, hankaavia puhdistusaineita, metalliesineitä tai kovia harjoja laitteen puhdistamiseen.



**VAROITUS:** Älä upota laitetta tai sen verkkojohtoa veteen tai muuhun nesteeseen.

1. Sammuta laite ja irrota sen verkkojohto pistorasiasta.
2. Anna laitteen jäähtyä kokonaan.
3. Pidä uunin sisäpuoli puhtaana. Pyyhi sisäpuoli kostealla liinalla, jos uunin seiiniin on jäänyt kiinni ruokaa tai roiskuneita nesteitä. Voit käyttää mietoa pesuainetta laitteen puhdistamiseen, jos uuni on erittäin likainen. Vältä käyttämästä suihkeita tai muita puhdistusaineita, sillä ne voivat aiheuttaa ylimääräisiä tahroja tai jälkiä ja uunin luukun pinnan samentumista.
4. Uunin ulkopinnat tulee puhdistaa kostealla liinalla. Älä anna veden päästä sisään laitteen tuuletusaukoista, jotta uunin toimivat osat eivät vaurioituisi.
5. Pyyhi uunin luukku ja lasi molemmilta puollilta, sekä luukun tiivisteet ja alueet tiivisteiden ympäriltä säännöllisesti kostealla liinalla poistaaksesi ylivuotaneet tai roiskuneet tahrat. Älä käytä hankaavia puhdistusaineita.
6. Älä anna ohjauspaneelin kastua. Puhdista laite pehmeällä, kostealla liinalla. Jätä uunin luukku auki estääksesi sen tahattoman päällekytkemisen, kun puhdistat ohjauspaneelia.
7. Jos höyryä kertyy uunin luukun sisäpuolelle tai sen ympärille, pyyhi kostealla liinalla. Näin voi tapahtua, jos mikroaaltouunia käytetään hyvin kosteassa ympäristössä. Tämä on normaalia.
8. Lasinen alusta on irrotettava silloin tällöin puhdistamista varten. Pese alusta lämpimällä saippuavedellä tai laittamalla se astianpesukoneeseen.
9. Pyörivä rengas ja uunin pohja tulee puhdistaa säännöllisesti, jotta laite ei aiheuttaisi ylimääräistä ääntä. Uunin alapinnan puhdistamiseksi riittää pyyhkiminen miedolla pesuaineliuoksella. Pyörivä rengas voidaan pestä lämpimällä saippuavedellä tai laittamalla se astianpesukoneeseen. Kun irrotat pyörivän renkaan uunista sisäpohjasta puhdistamista varten, varmista että asetat sen oikeaan asentoon, laittaessasi sitä takaisin.
10. Poistaaksesi pahat hajut mikroaaltouunista, laita lasi vettä ja sitruunamehua sekä sitruunan kuori uuniin käyttäen syvää kulhoa, ja käytä uunia 5 minuuttia mikroaaltotilassa. Pyyhi sitten kuivaksi läpikotaisin käyttäen pehmeää liinaa.
11. Ota yhteys valtuutettuun huoltoon, uunin lampan vaihtamiseksi.
12. Mikroaaltouuni on puhdistettava säännöllisesti, ja sen sisälle kertyneet ruokajäämät on poistettava. Jos uunia ei puhdisteta säännöllisesti, tämä voi aiheuttaa pintavaurioita jotka vaikuttavat laitteen käyttöikänsä haitallisesti, ja voivat aiheuttaa vaaran.
13. Älä hävitä laitetta tavanomaisen kotitalousjätteen mukana: vanhat uunit tulee toimittaa kunnallisiin jätehuoltokeskuksiin.
14. Kun mikroaaltouunia käytetään yhdessä grillaustoiminnon kanssa, laitteen sisään voi muodostua hieman savua ja käryä jotka häviävät hetken kuluttua.

### 5.2 Säilytys

- Jos et aio käyttää laitetta pitkään aikaan, säilytä sitä huolellisesti.
- Varmista, että laite on irrotettu pistorasiasta, jäähtynyt ja täysin kuiva.
- Säilytä laitetta viileässä, kuivassa paikassa.
- Pidä laite poissa lasten ulottuvilta.

## 5 Puhdistaminen ja kunnossapito

### 5.3 Kuljetus ja käsittely

- Säilytä laitetta alkuperäisessä pakkauksessaan kuljetuksen ja käsittelyn aikana. Pakkaus suojaa laitetta fyysisiltä vahingoilta.
- Älä aseta raskaita kuormia laitteen tai pakkauksen päälle. Muuten laite voi vaurioitua.
- Laitteen pudottaminen voi tehdä sen toimimattomaksi tai aiheuttaa pysyviä vaurioita.

## 6 Vianmääritys

Normaalia	
Mikroaaltouuni voi aiheuttaa häiriöitä televisiovastaanottimeen.	Radio- ja televisiolähetyksessä voi esiintyä häiriöitä mikroaaltouunin ollessa käytössä. Se on samankaltaista kuin pienten sähkölaitteiden, kuten sauvasekoittimen, pölynimurin tai tuuletin aiheuttamat häiriöt. Tämä on normaalia.
Uunin valaisin on himmentynyt.	Matalatehoisessa mikroaaltokypsennyksessä, uunin valaisin voi olla himmentyä. Tämä on normaalia.
Luukun taakse kerääntyvä höyry, tuuletusaukoista tuleva kuuma ilma	Kypsennyksen aikana, ruoasta voi nousta höyryä. Suurin osa tästä höyrystä poistuu tuuletusaukkojen kautta. Mutta osa voi kerääntyä viileään paikkaan, kuten uunin luukun taakse. Tämä on normaalia.
Uuni on käynnistetty vahingossa ilman ruokaa.	Uunia ei saa käyttää tyhjänä. Tämä on erittäin vaarallista.

Vika	Mahdollinen syy	Ratkaisu
Uuni ei käynnisty.	1) Verkkojohtoa ei ole liitetty oikein.	Irrota verkkojohto seinästä. Liitä se sitten uudelleen 10 sekunnin kuluksi.
	2) Sulake on palanut tai laitteen elektroninen suojapiiri on kytkeytynyt päälle.	Vaihda sulake tai nollaa elektroninen suojapiiri (valtuutetun huoltokeskuksen toimesta).
	3) Pistoke ei toimi.	Kokeile pistorasiaa muiden sähkölaitteiden kanssa.
Uuni ei kypsennä ruokaa.	4) Luukku ei ole suljettu oikein.	Sulje luukku huolellisesti.
Lasinen alusta pitää ääntä mikroaaltouunin ollessa päällä	5) Lasinen alusta ja uunin pohja on likainen.	Katso osio "Puhdistaminen ja kunnossapito" puhdistaksesi liikkeet osat.
Uuni antaa virheen E-3 eikä toimi oikein	6) Uunin luukku ei avaudu (koska luukun edessä on jokin este, matalan jännitteen vuoksi jne.)	Irrota verkkojohto seinästä. Liitä se sitten uudelleen 10 sekunnin kuluksi.

## NO

**Service:** Kontakt butikken der du kjøpte produktet så de kan henvise deg til lokal service

**Oppgi:** Produkttype, Serienummer, Kjøpsdato, Problembeskrivelse, Navn og adresse, Telefonnummer

## DK

**Service:** Kontakt butikken hvor købet blev foretaget og få info om service kontakt

**Nødvendig information:** Model navn, Serienummer (står på typeskiltet), Kjøpsdato, Beskrivelse af problemet, Navn og adresse, Telefonnummer

## FI

**Huolto:** Ota yhteyttä myymälään, josta ostit tuotteen, niin saat lisätietoja lähimmästä huoltoliikkeestä

**Tarvittavat tiedot:** Mallinnumero, Sarjanumero, Ostopäivä, Ongelman kuvaus, Nimi ja osoite, Puhelinnumero

## SE

**Service:** Vi har service i hela Sverige. Besök [www.cylinda.se](http://www.cylinda.se)  
Ring 0771-25 25 00  
(endast lokaltaxa)

**Uppge:** Maskintyp, serienummer, inköpsdatum, problembeskrivning, namn och adress, ditt telefonnummer

**Kontakta oss:**  
[www.cylinda.se](http://www.cylinda.se)

## UK

**Service:** Nationwide service in Sweden  
Visit [www.cylinda.se](http://www.cylinda.se)  
Call 0771-25 25 00

**Declare:** Model code, Serial number, Purchase date, Problem description, Name and address, Phone number

**Contact us:**  
[www.cylinda.se](http://www.cylinda.se)

Arçelik A.Ş.  
Karaağaç Caddesi No: 2-6, 34445,  
Sütlüce, İstanbul, Türkiye

[www.cylinda.se](http://www.cylinda.se)