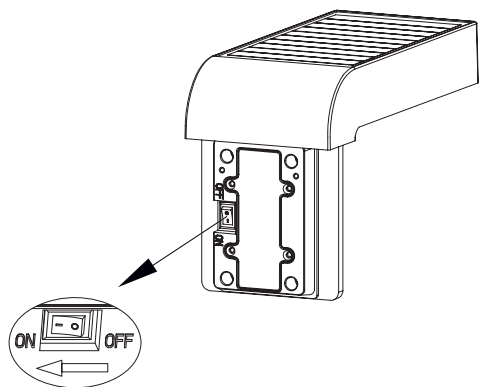


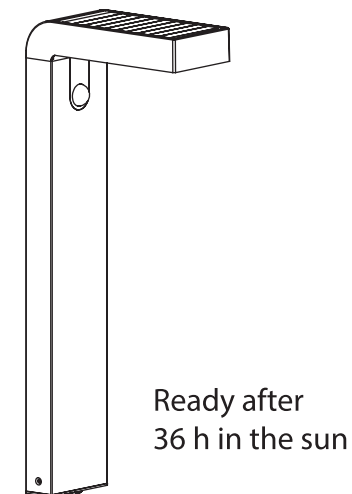
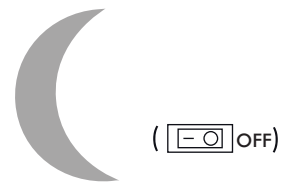
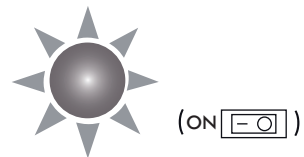
Art.no 481-13

FIRST USE

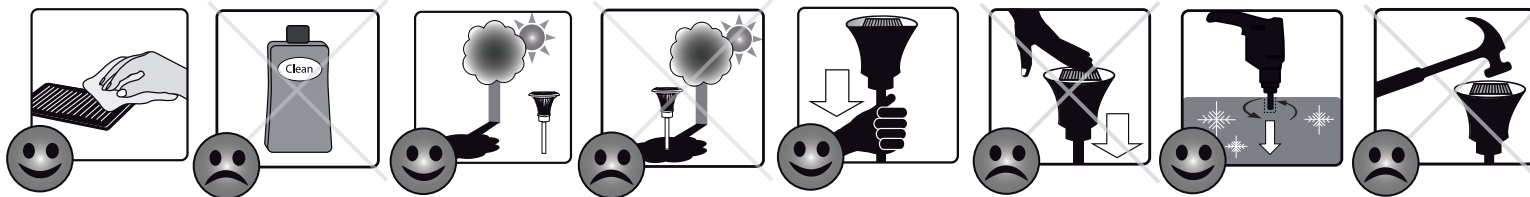
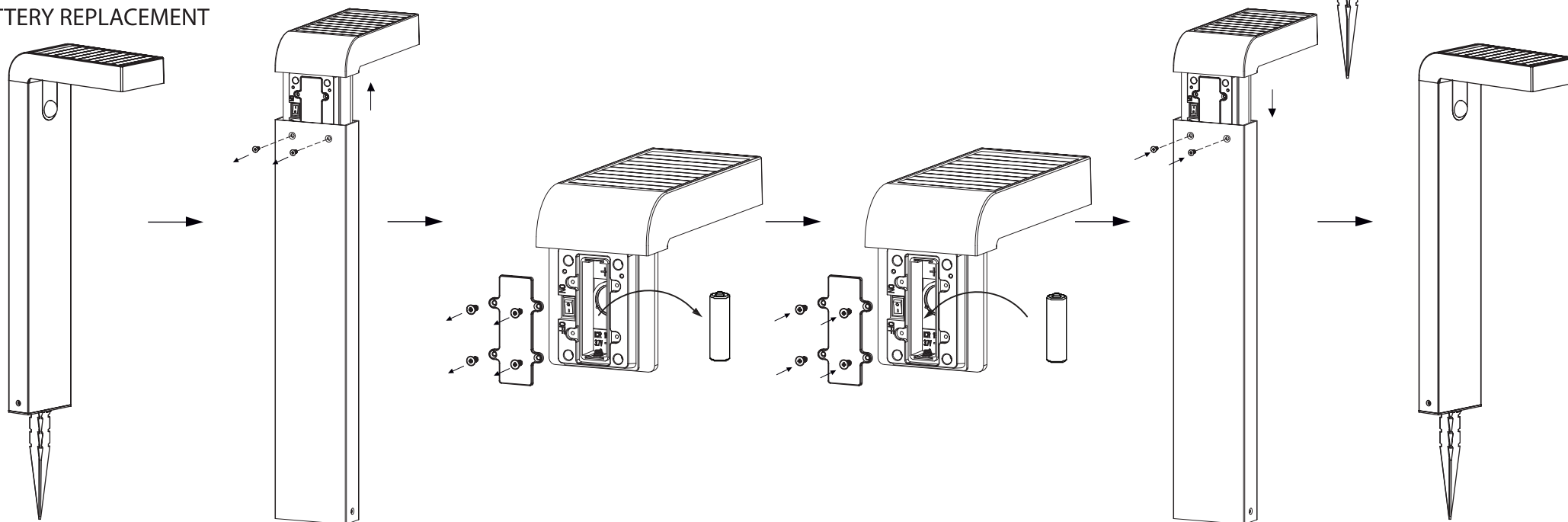
STEP 1.



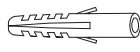
STEP 2.




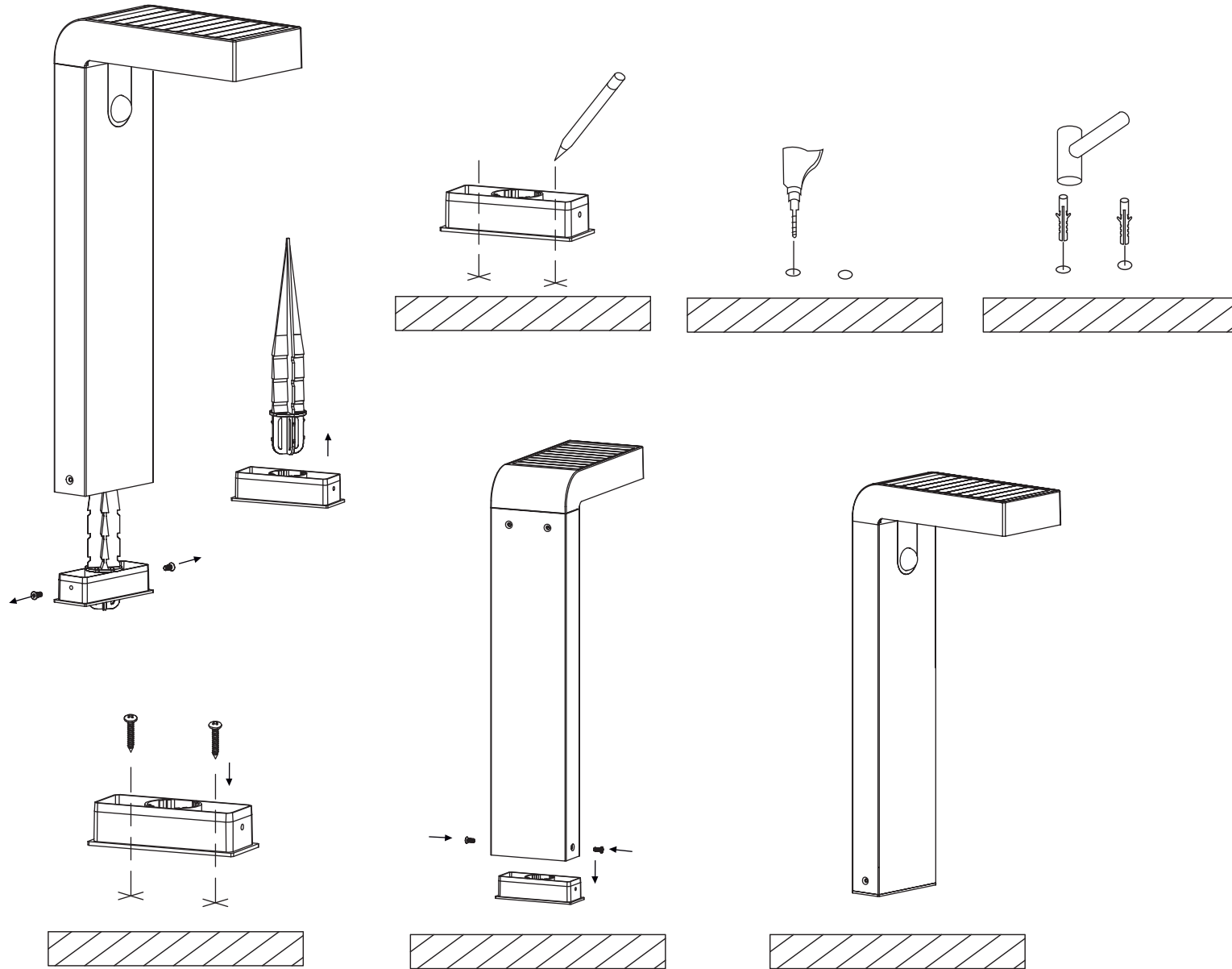
BATTERY REPLACEMENT



STAR[®]
TRADING
STAR STREET 1
512 50 SVENLJUNGA
SWEDEN
www.startrading.com

 x 2

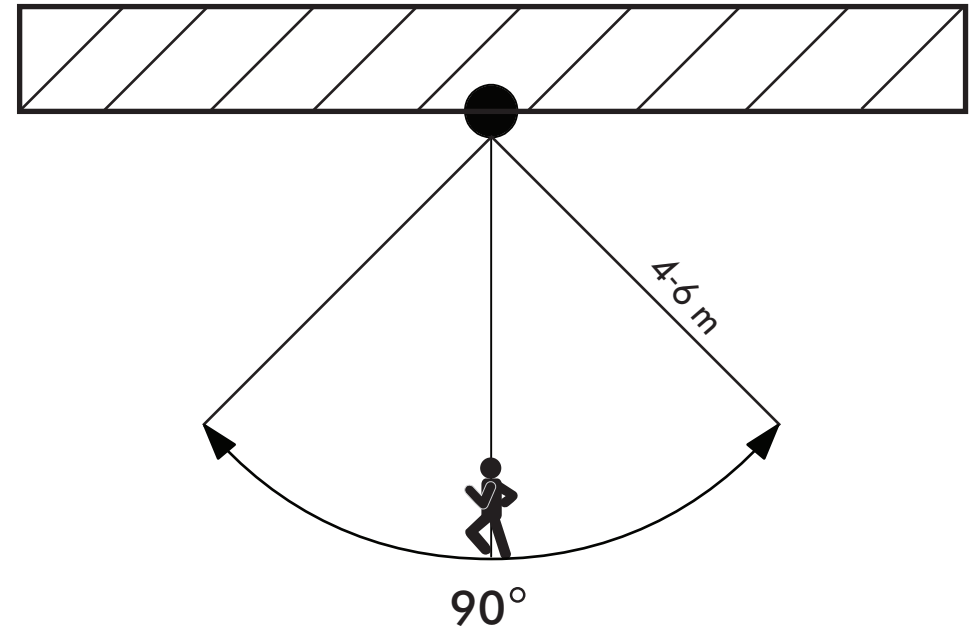
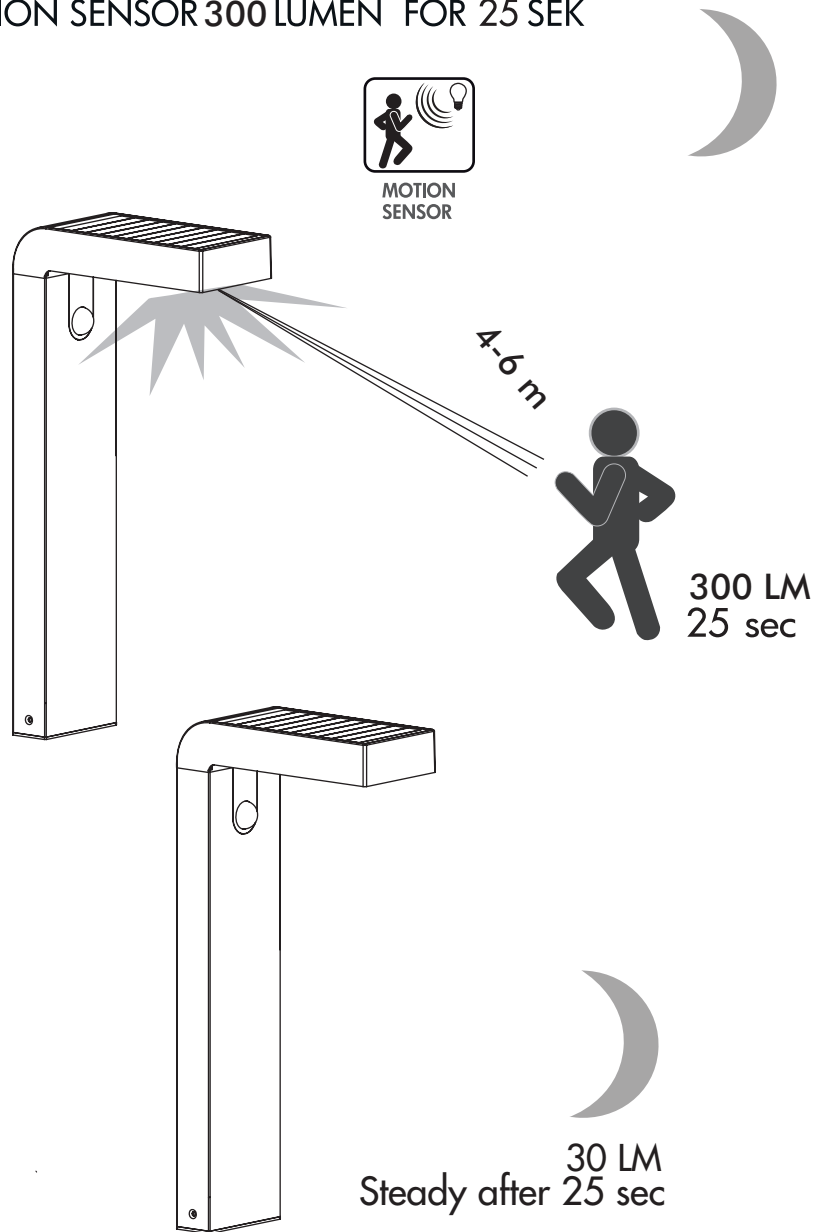
 x 2



Art.no 481-13

30 LUMEN CONSTANT LIGHT

MOTION SENSOR 300 LUMEN FOR 25 SEK



STAR[®]
TRADING
STAR STREET 1
512 50 SVENLJUNGA
SWEDEN
www.startrading.com