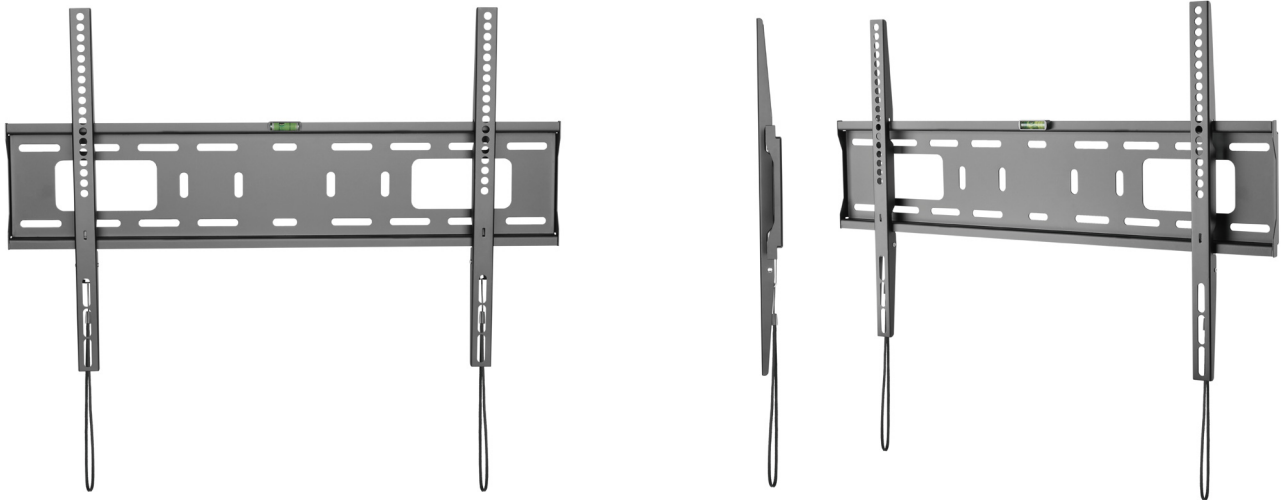


# 37"-70" display Heavy-duty, fixed wall mount

**DELTAACO**  
A NORDIC BRAND



## PRODUCT DATA

Product Category:	Fixed TV Wall Mount
Material:	Steel, Plastic
Metal Sheet Thickness:	Bracket Arm THK=1.5mm cold-rolled sheet, Wall Plate THK=1.5mm cold-rolled sheet (Bracket Arm THK=0.059" cold-rolled sheet, Wall Plate THK=0.059" cold-rolled sheet)
Surface Finish:	Powder Coating
Color:	Matte Black
Dimensions:	448x425x25mm
Fit Curved TV:	Yes
Fit Screen Size:	32"-55"
Mounting Hole Pattern :	VESA & Universal
VESA Compatible:	200x200,300x300,400x200,400x400
Max. VESA:	410x405mm
Weight Capacity:	50kg
Strength Tested:	3 Times Approved
Profile:	25mm
Installation:	Solid Wall, Double Stud(406mm)
Panel Type:	Detachable Panel
Wall Plate Type:	Fixed Wall Plate
Cable Management:	No
Anti-theft:	No
Bubble Level:	Hook-on Bubble Level(Included in Components Package)
Accessory Kit Package:	Compartment Polybag

## LOGISTICS DATA

Article number:	ARM-1151
Brand:	DELTAACO
EAN Code:	7333048042859
Country of origin:	China
Custom tariff number:	83024900
Master carton packing unit:	8 pcs
Master carton gross weight:	16.38 kg
Master carton dimensions:	68.5 x 26.5 x 17 cm
Package type:	Box
Package weight:	1.98 kg
Package dimensions:	67 x 15.5 x 3 cm

## PACKAGING

Package contents:	Wall mount, mounting kit for wall, mounting kit for display and manual
-------------------	--



-Image may differ from the actual package

## Drawing

