



OPERATING INSTRUCTIONS FOR:

AC Milan Silent 7K WIFI Smart Home WAC704G
AC Milan Silent 9K WIFI Smart Home WAC904G
AC Como 12K WIFI Smart Home WAC1212G



Visit woods.se for more information and updated instruction manuals.

For extended warranty, register your product at warranty-woods.com

GB	<i>Operating Instructions</i>	PL	<i>Instrukcja obsługi</i>
SE	<i>Bruksanvisning</i>	RO	<i>Manual utilizare</i>
NO	<i>Bruksanvisning</i>	FI	<i>Käyttöohjeet</i>
DK	<i>Betjeningsvejledning</i>	LT	<i>Naudojimosi instrukcija</i>
DE	<i>Bedienungsanleitung</i>	LV	<i>Lietošanas instrukcija</i>
FR	<i>Guide d'instructions</i>	IT	<i>Istruzioni per l'uso</i>
ES	<i>Manual de instrucciones</i>	GK	<i>Οδηγίες Λειτουργίας</i>
NL	<i>Gebruiksaanwijzing</i>	IS	<i>Notkunarleiðbeiningar</i>
EE	<i>Kasutusjuhend</i>	IT	<i>Istruzioni per l'uso</i>

Visit our website to:

Get usage advice, updated owners manual,
troubleshooting and service information
Register your product for additional services:
www.warranty-woods.com

CUSTOMER CARE AND SERVICE

Always use original spare parts.
When contacting our authorised service centre,
ensure that you have the following data available:
Model number, receipt and serial number.

The refrigerant used in portable air conditioner is
the environmentally friendly hydrocarbon R290. This
refrigerant is odorless, and compared to the alternative
refrigerant, the R290 is an ozone-free refrigerant.

Warning / Caution-Safety information.
General information and tips.
Environmental information.
Subject to change without notice.

CONTENTS:

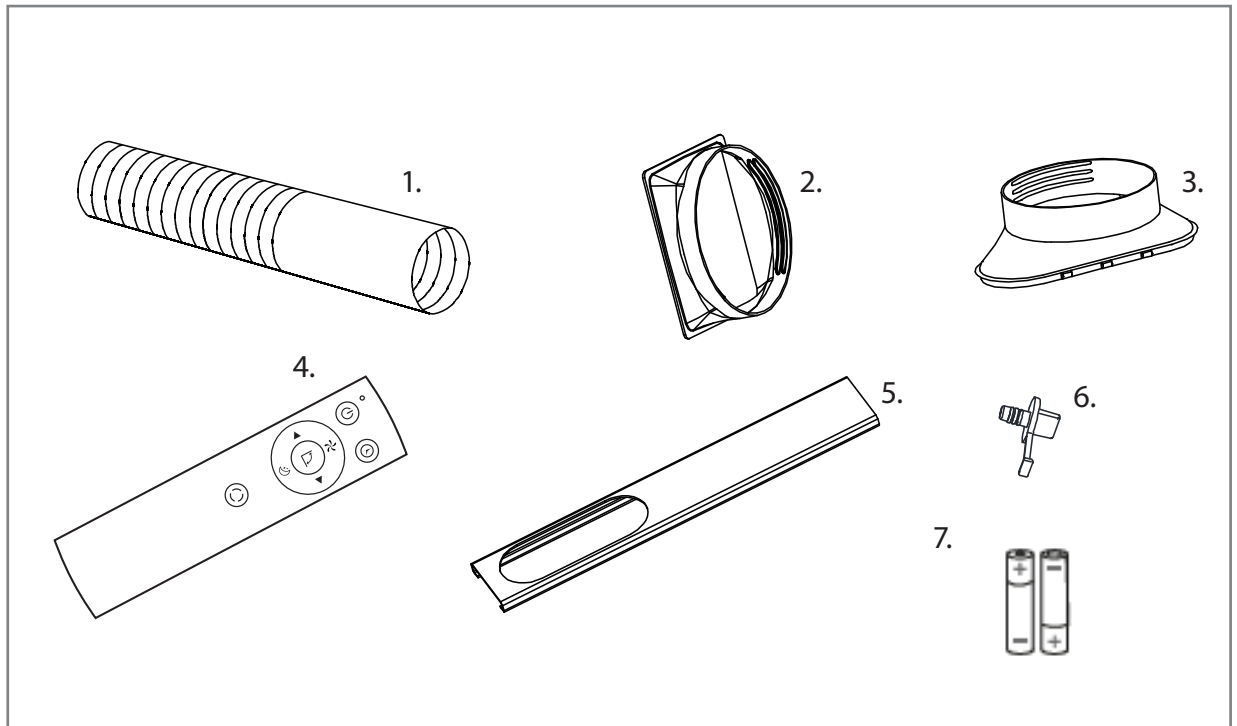
PAGE NO.

TABLE OF CONTENTS

OPERATING INSTRUCTIONS

<i>English</i>	9-17
<i>Swedish</i>	18-26
<i>Norwegian</i>	27-35
<i>Danish</i>	36-44
<i>German</i>	45-53
<i>French</i>	54-62
<i>Spanish</i>	63-71
<i>Dutch</i>	72-80
<i>Polish</i>	81-89
<i>Romanian</i>	90-98
<i>Finnish</i>	99-107
<i>Lithuanian</i>	108-116
<i>Latvian</i>	117-125
<i>Italian</i>	126-134
<i>Greek</i>	135-143
<i>Icelandic</i>	144-152
<i>Estonian</i>	153-161

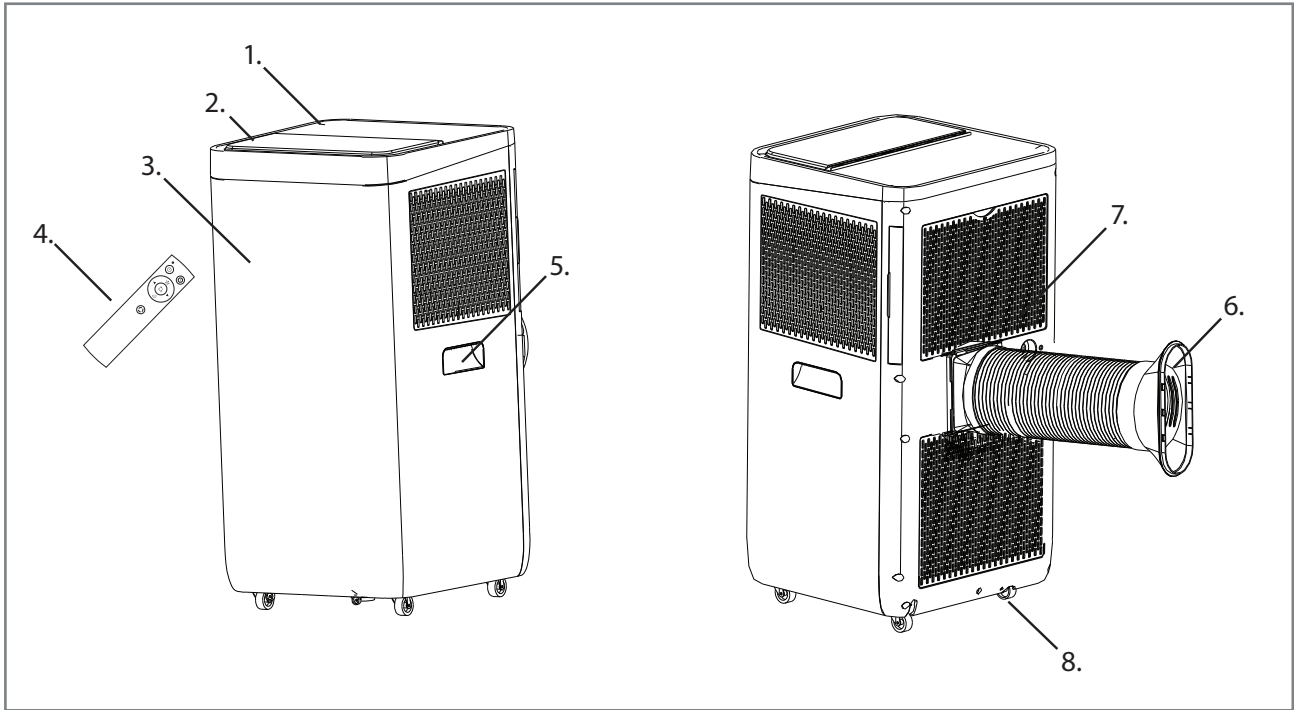
A.



B.



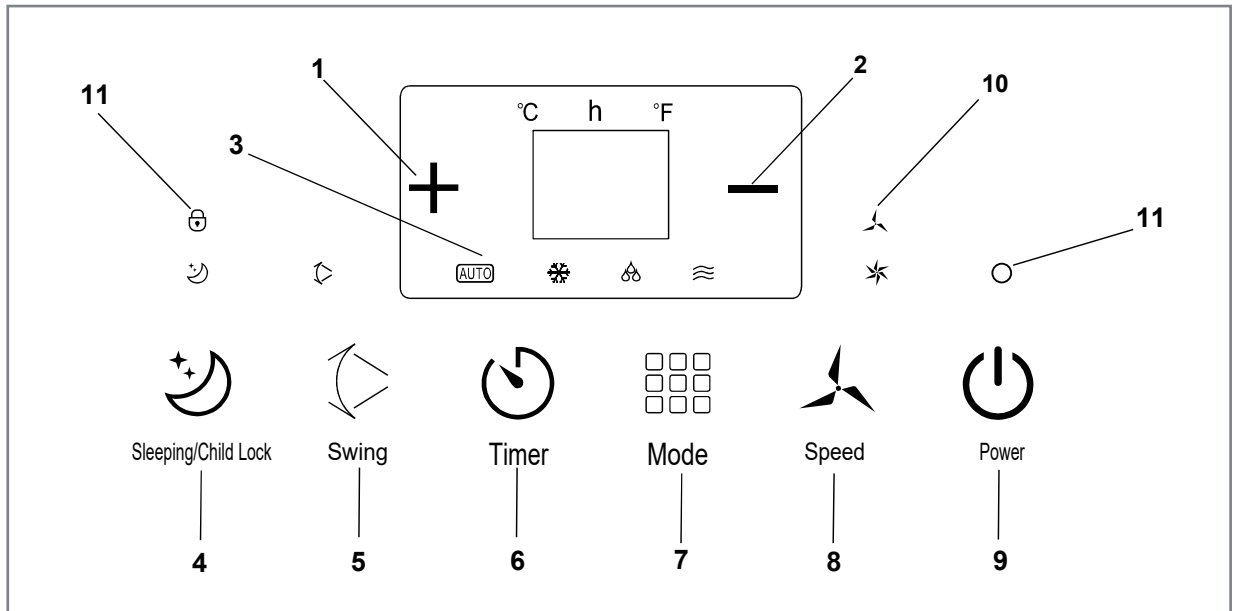
C.



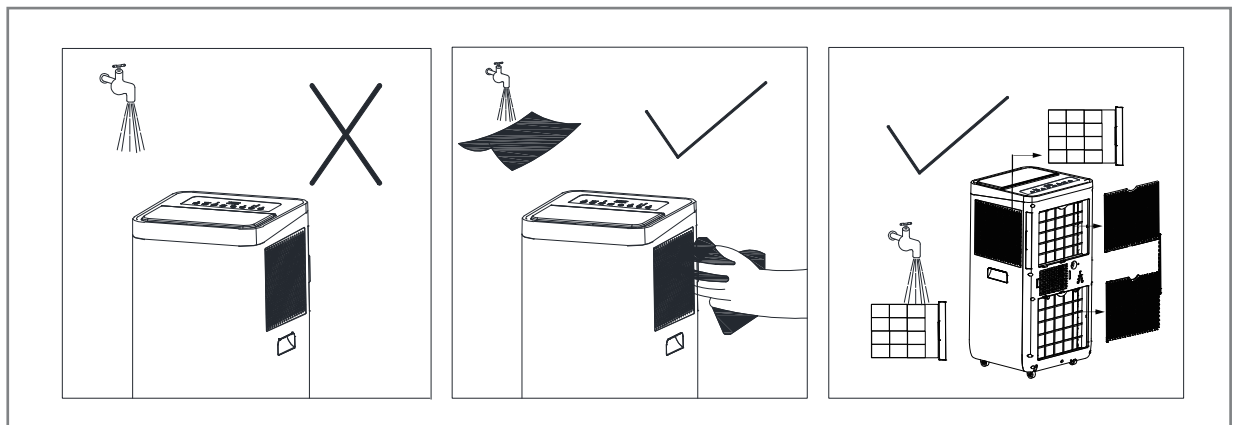
D.



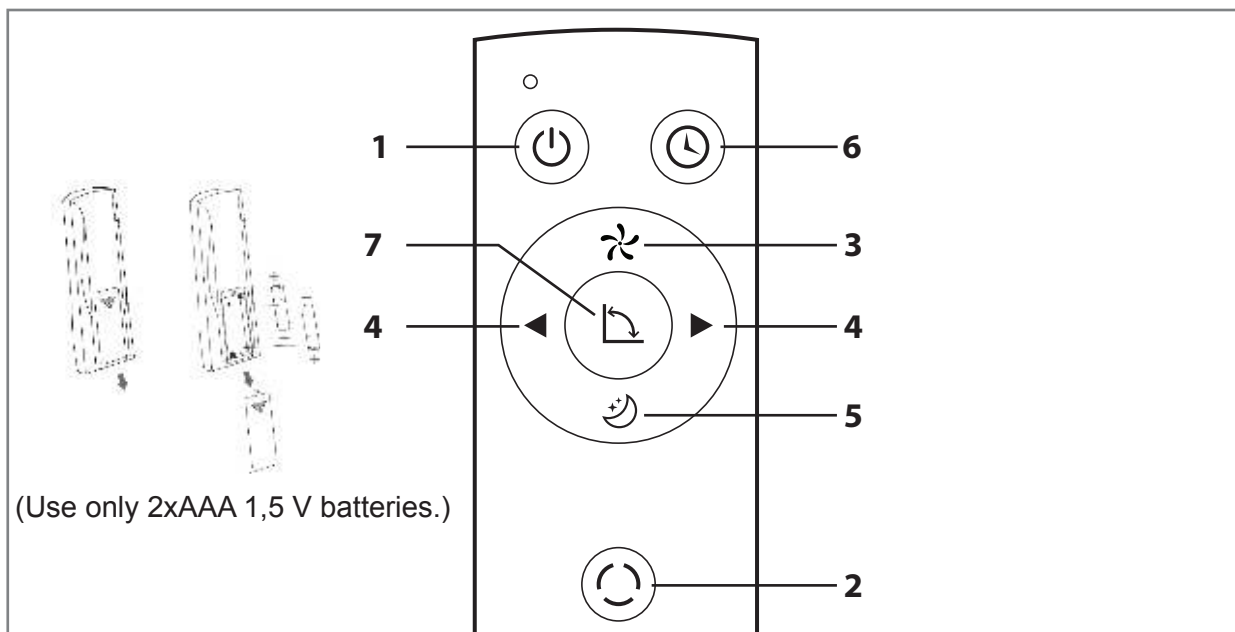
E.



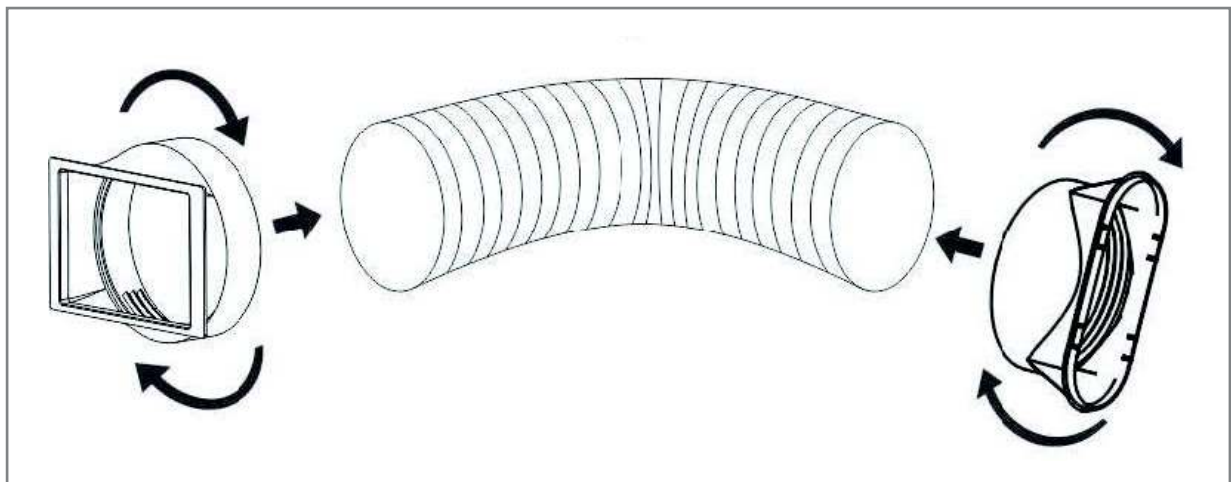
F.



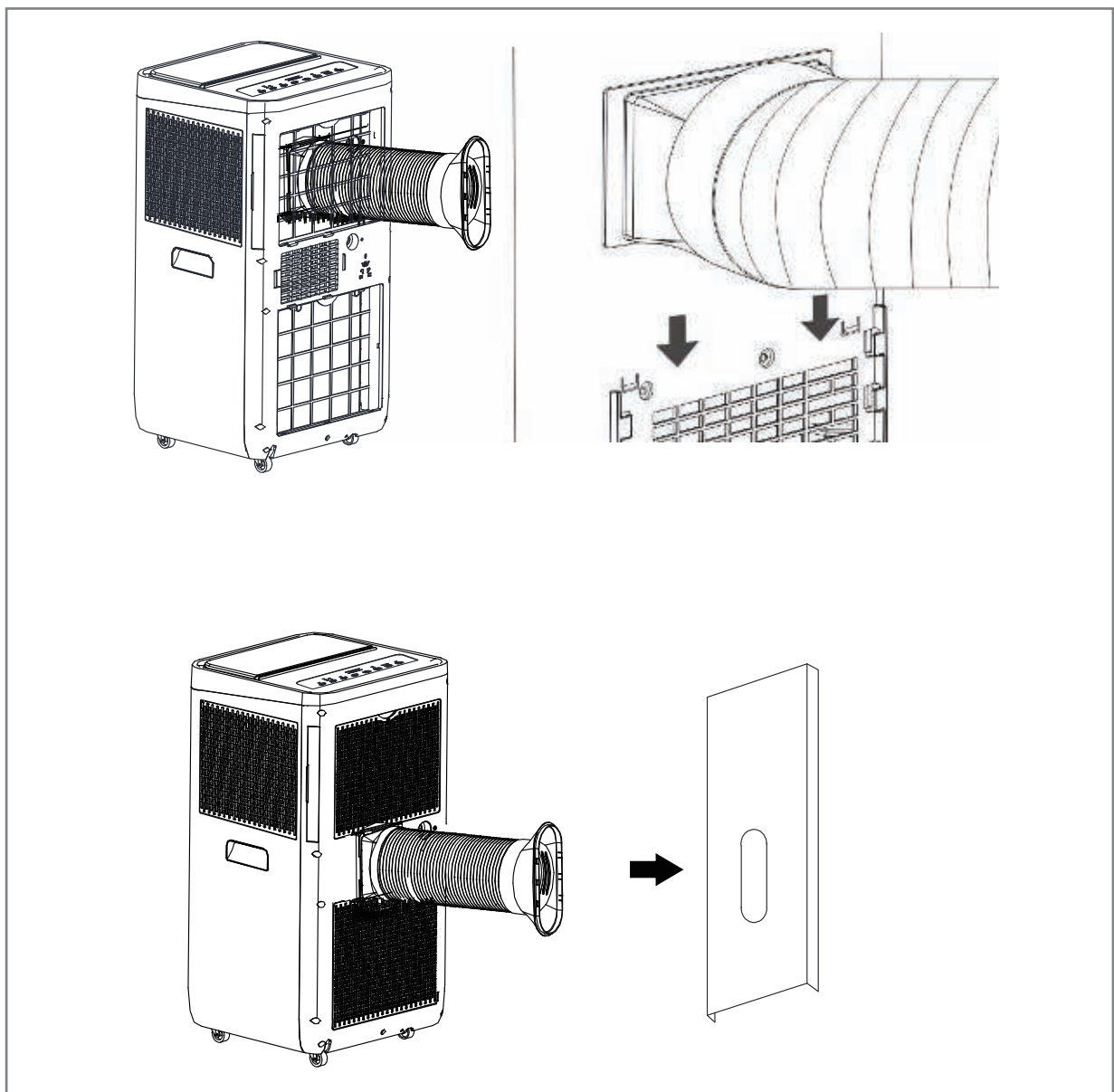
G.



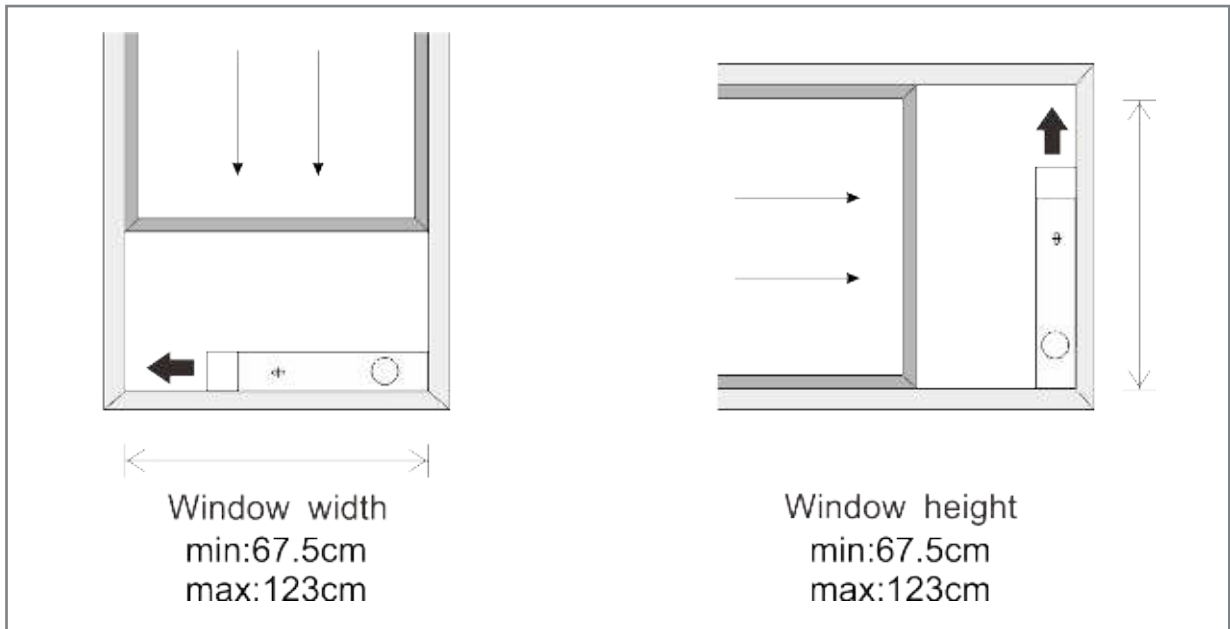
H.



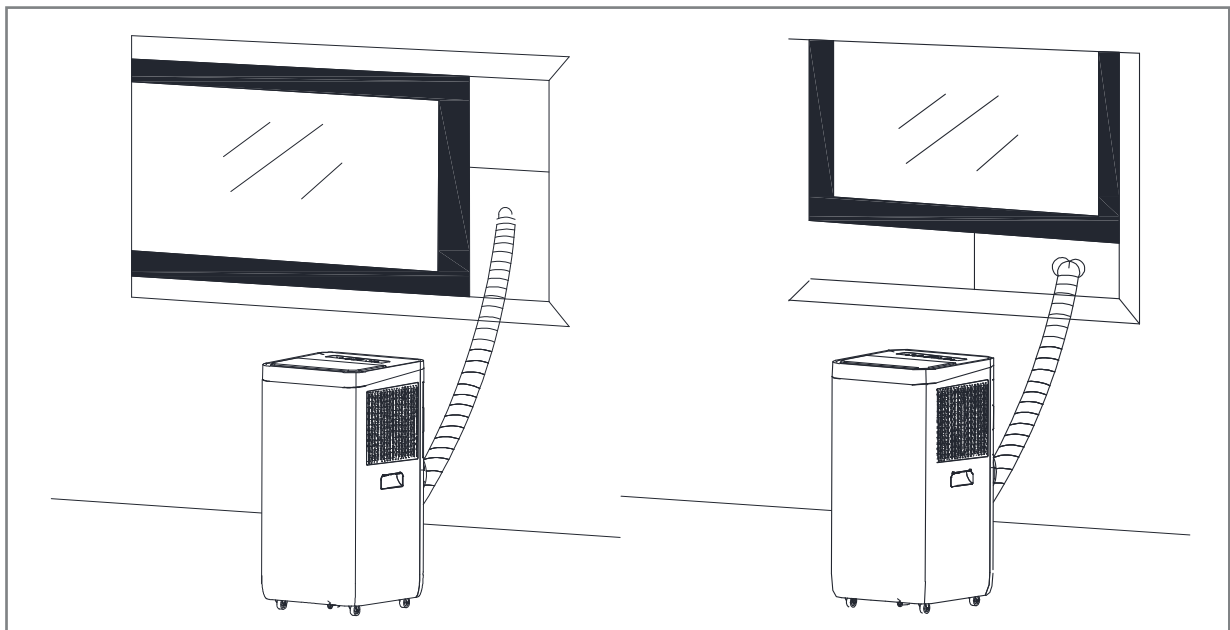
I.



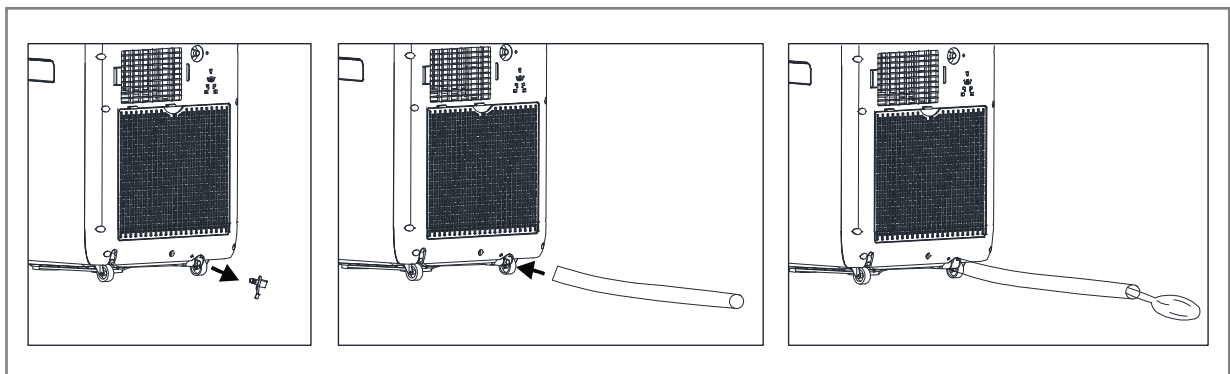
J.



K.



L.



WOOD'S FOR CLEAN AND HEALTHY INDOOR AIR

The brand Wood's was born with the Wood's family over 65 years ago in the Canadian city of Guelph, Ontario. This is where Wood's began developing and manufacturing dehumidifiers in 1950. Since then Wood's has helped several hundred thousand households to prevent damages from mould and dampness, and to breathe cleaner air. Our portable air conditioners are suitable for use in most climates, where capacity is good even at different temperatures and humidity levels. They are used with good results in premises that become hot such as living rooms, offices or bedrooms. The amount of hot air that the air conditioner removes depends on the temperature, humidity level, and placement. External weather conditions may also affect the performance of the air conditioner.

Wood's air conditioners are safe in operation and intended for continuous use over many years.

HOW DOES THE AIR CONDITIONING UNIT WORK?

Low pressure gives cold air

The main element of the air conditioner is a coolant, which under low pressure is converted to gas. The process "creates cold", which is transmitted inward, while keeping the warm air out.

A liquid coolant is passed through an expansion valve and into a pipe where the pressure is low.

The coolant evaporates and turns into a gas. The process absorbs heat from the surroundings and the pipe is cooled.

A fan blows the cold air into the room.

The gas is passed through a compressor, which increases the pressure and converts the gas into liquid.

In this process, heat is released, which is led to pipes on the opposite side and blown out by a fan.

A thermostat shuts off the unit when the indoor air is cold enough.

1. SECURITY WARNINGS



Flammable material. This appliance contains R290/Propane a flammable refrigerant.



Refer to this manual for safety information.



Read technical manual



Read operators manual.

SAFETY INFORMATION

Before the installation and use of the appliance, carefully read the supplied instructions. The manufacturer is not responsible if an incorrect installation and use causes injuries and damages. Always keep the instructions with the appliance for future reference.

Children and vulnerable people safety

WARNING



Risk of injury or permanent disability.

This appliance can be used by children aged 8 years and above and persons with reduced physical, sensory or mental capabilities or lack of experience and knowledge if they have been given supervision or instruction concerning the use of the appliance in a safe way and understand the hazards involved.

Do not let children play with the appliance.

Children of less than 3 years should be kept away unless continuously supervised.

Keep all packaging away from children.

Cleaning and user maintenance shall not be made by children without supervision.

General Safety

This appliance is intended to be used in households and similar applications such as: a family room, living room, staff kitchen areas in shops, offices, and other working environments. The rating plate is located at the side or back of the Air Conditioner.

Keep ventilation openings clear of obstruction.

Do not use mechanical devices or other means to accelerate the defrosting process, other than those recommended by the manufacturer.

The appliance, shall not be stored in a room with operating ignition sources (for example: open flames, an operating gas appliance or an operating electric heater. Do not pierce or burn.

Be aware that refrigerants may not contain an odour. Do not use water spray and steam to clean the appliance. Clean the appliance with a moist soft cloth. Only use neutral detergents. Do not use abrasive products, abrasive cleaning pads, solvents, or metal objects.

If the supply cord is damaged, it must be replaced by the

manufacturer, its Authorised Service Centre or similarly qualified persons in order to avoid a hazard.

SAFETY INSTRUCTIONS

Installation

WARNING

Only a qualified person must install this appliance.

Remove all the packaging.

Do not install or use a damaged appliance. The appliance shall be installed, operated, and stored in a room with a floor area larger than 4 m² to 4.2 m²(7k), 7.7 m² (9K), 9.6 m²(12K). Obey the installation instruction supplied with the appliance.

Always be careful when you move the appliance because it is heavy. Always wear safety gloves. Be aware that refrigerants may not contain an odour.

Make sure the air can circulate around the appliance.

Wait at least 4 hours before connecting the appliance to the power supply. This is to allow the oil to flow back into the compressor.

Do not install the appliance close to radiators or other heat sources. Do not install the appliance where there is direct sunlight.

Electrical connection

WARNING

Risk of fire and electrical shock.

The appliance must be connected to a grounded outlet.

Make sure that the electrical information on the rating plate

matches with the power supply. If not, contact an electrician.

Always use a correctly installed shockproof socket.

Do not use multi-plug adapters and extension cables.

Make sure not to cause damage to the electrical components (e.g. mains plug, mains cable).

Contact the Authorised Service Centre or an electrician to change the electrical components.

The mains cable must stay below the level of the mains plug.

Connect the mains plug to the mains socket only at the end of the installation.

Make sure that there is access to the mains plug after the installation.

Do not pull the mains cable to disconnect the appliance. Always pull at the mains plug.

Use

WARNING

Risk of injury, burns, electrical shock, or fire.

Do not change the specification of this appliance.

Be careful not to cause damage to the refrigerant circuit. It contains propane (R290), a natural gas with a high level of environmental compatibility. This gas is flammable.

If damage occurs to the refrigerant circuit, make sure that there are no flames and sources of ignition in the room. Ventilate the room.

Do not put flammable products or items that are wet with flammable products near or on the appliance.

Disposal

WARNING

Risk of injury.

Disconnect the appliance from the mains supply.

Cut off the mains cable and discard it.

The refrigerant circuit of this appliance is ozone-friendly.

Contact your municipal authority for information on how to discard the appliance correctly.

Do not cause damage to the part of the cooling unit that is near the heat exchanger.

SET UP AIR CONDITIONER FOR INSTALLATION

2. Installation

BEFORE FIRST USE

Let the machine stand upright for 2 hours before use. This is so that oil that may have leaked into the cooling system can flow back to the compressor. (The same as for a refrigerator)

Important

1. This air conditioner may be conveniently moved around indoors. Keep the unit in an upright position while moving it. The air conditioner should be placed on a flat surface.

Do not install or operate this air conditioner in a bathroom or other wet environment.

Since a portable air conditioner is on wheels, it is easy to change positions. When it gets hot, you just move your portable air conditioner into the room and can quickly get started cooling the space.

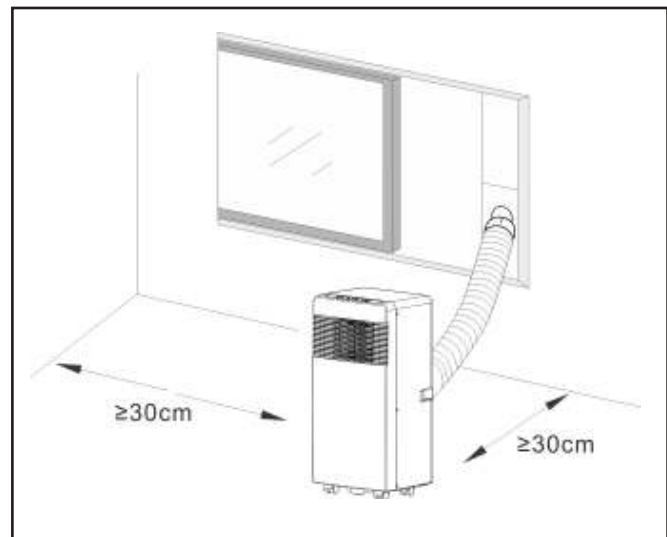
The air conditioner must be operated in an enclosed area to be most effective.

Close all doors, windows, and other openings to the room. Even if you have high ventilation or large windows with direct sunlight can affect the cooling effect.

2. Place the air conditioner in a location that does not restrict airflow through the front of the unit.

3. An air conditioner operating in a room will have little or no effect in drying an adjacent enclosed storage area, such as a closet, unless there is adequate circulation of air in and out of the area. A portable air Conditioner evacuates the heat from the unit with a ventilation hose through a window or exhaust air valve.

4. There should be a minimum of 30 cm distance between Air Conditioner and closest object. See picture for reference.



PRODUCT DESCRIPTION

3. Product description

A

1. Exhaust air hose
2. Connector of Air Exhaust Duct
3. Connection for exhaust air hose to the window rail
4. Remote control
5. Window rail
6. Water plug
7. Batteries

B

1. Product Front picture

C

1. Control panel
2. Cold Air Outlet
3. Signal Receptor
4. Remote Controller
5. Transport Handle
6. Air Outlet Hose
7. Evaporator Air Intake
8. Drainage outlet

D

1. Product Top Picture

E

1. Hours/ Temperature up
2. Hours/ Temperature down
3. Automatic, Cooling
 Dehumidifying, Fan Mode
4. Sleep Mode and Child Lock
5. Oscillation/Swing
6. Hours
7. Operating Mode
8. Fan Speed (low/high)
9. Power Button (on/off)
10. Indicator light for selected fan speed
11. Indicator lamp for child lock and sleep mode.
12. Indicator lamp for child lock and sleep mode.

WIFI

F

1. Instructions of filter screen cleaning.

G

1. BUTTON
Power on / off
2. BUTTON
Press this button to select the operation mode.
3. BUTTON
Used to select fan speed in sequence.
4. and SETTING BUTTONS
used to adjust the room temperature and the timer.
5. BUTTON
Used to set or cancel Mode operation.
6. BUTTON
Used to set automatic OFF and automatic ON time.
7. BUTTON
Used to set the oscillation / swing function.

H

1. Turn the ends of the exhaust hose into the connections as shown.

I

1. Exhaust air hose installation instructions

J

1. Installation instructions for window rail NOTE! This window rail is not suitable for all types of windows. We recommend Wood's Window sealing kit (article number: wac_wk) if this rail does not fit.

K

1. Window rail installation proposal

L

1. Installation instructions for drainage hose (NOTE! Hose is not included. The nozzle is adapted for a 10mm device hose)

FUNCTION OF THE OPERATION MODES AND INSTALLATION DESCRIPTIONS

A. Accessories

After unpacking, please check whether the above-mentioned accessories are included, and check their purposes in the installation introduction in this manual. Accessory No. 6 is already mounted at the bottom of the back of the machine.

B. Portable air conditioning

G. Appearance and Function of Remote Control.

Notes:- Do not drop the remote control.- Do not place the remote control in a location exposed to direct sunlight.

A. Operation Introduction

Before starting operations in this section:

1) Place the air conditioner in a place where you have close access to a grounded electrical outlet.

2) Install the exhaust hose, and adjust the window position well.

3) Insert the power cord into a grounded AC220~240V/50Hz socket;

4) Press the POWER button to turn on the air-conditioner.

5) Press the POWER button to turn on the air-conditioner.

H, I, and K. Installation of exhaust air hose

M) Temporary installation

1. Twist both ends of the exhaust hose into the Hose connections.

2. Insert the square fixing clip into the air outlet at back of the machine.

3. Put the other end of the exhaust hose near windowsill.

J&K: Window Slider Kit Installation

The installation manner of window slider kit is mostly in "horizontal" and "vertical". As shown Fig. 5 and Fig.5a, check the min. and max. size of the window before the installation.

1. Install the window kit on the window ;
2. Adjust the length of the window slider

kit according to the window width or height, and fix it with the dowel;
3. Attach the hose bracket to the hole in the window rail

O. Internal Tank "Water Full" Alarm

The water tank inside the machine has a level monitor that detects when the tank is full. When the container is full, the machine switches off automatically and the code E4 is shown on the display.

(If the water tank is full, please remove the rubber plug at the bottom of the unit

It is very important that the filter is cleaned regularly; otherwise the air conditioner might lose capacity and even be risk serious damage.

to drain the water.) We recommend that you drain the water over a floor drain, or alternatively an oven tray.

when the water is full, please remove the rubber blockage at the bottom of unit, and all water will be drained outside.)

Care Instructions And Maintenance Declaration:

1) Before cleaning, be sure to disconnect the unit from any electric supply outlet;

2) Do not use gasoline or other chemicals to clean the unit;

3) Avoid rinsing water directly on the unit

4) If the machine is damaged, please contact your dealer

1. The air filter

-If the air filter becomes clogged with dust/dirt, the air filter should be cleaned once every two weeks.

-Dismounting

Open the air inlet grille and take off the air filter.

-Cleaning

Clean the air filter with a neutral detergent in lukewarm water(40°C) and

let dry in the shade.

-Mounting

Putting the air filter into the inlet grille, replace the components as they were.

2.Clean the surface with a neutral detergent and a wet cloth, followed by drying it with a dry cloth.

E. Before using

Check whether the exhaust hose has been mounted properly.

Cautions for cooling and dehumidifying operations:

-When using functions on cooling and dehumidifying, keep an interval of at least 3 minutes between each POWER.

-Power supply meets the requirements.

-The socket is for AC use.

-Do not share one socket with other appliances.

-Power supply is AC220-240V, 50Hz

1. Turn on the unit

a) Plug in, then the unit beeps once, "O" The power indicator light is on.

b) Press the "⏻" button, then the unit is turned on.

c) The LED displays the room temperature and under Automatic mode.

2. Cooling operation

-Press the "Mode" button till the Snowflake icon is displayed on the panel.

-Press the "+" or "-" button to select the desired room temperature.

(15°C -31°C)

-Press the "Fan Speed" button to select wind speed.

3. Dehumidifying operation

Press the "Mode" button till the "Dehumidify" icon appears.

-Automatically set the selected temperature to current room temperature minus 2°C .

-Automatically set the fan motor to LOW wind speed.

4. Fan operation

-Press the "Mode" button till the "Fan" icon appears.

-Press the "Fan Speed" button to

FUNCTION OF THE OPERATION MODES AND INSTALLATION DESCRIPTIONS

select wind speed.

5. ⌚ Timer operation

a) Press the "Timer" button to set Automatic Off time while the unit is running.

b) Press the timer button for a scheduled start.

c) The time can be adjustable within a range of 1 hour to 24 hours. Press the temperature up (+) or temperature down (-) button to increase or decrease the time by one hour by pressing once.

6. 😴 Operation

a) The 😴 operation is effective when the unit is under ❄️ mode.

b) Press the 😴 button in ❄️ mode, for activating sleep mode. In sleep mode, the fan will run on low speed. The set temperature increases by 1 °C after one hour and the temperature increases by 2 °C after two hours. After 6 hours, the unit switches off. Should the temperature rise by more than 2 °C above the set value, the machine will start in full operation.

7. 🔄 Oscillation / Swing

a) When the Oscillation / Swing button is activated, the swing blade swings up and down automatically. If you want to stop, press the button again.

Service

If the Air Conditioner requires servicing, you must first contact your local retailer. Proof of purchase is required for all warranty claims.

Storage instructions

End of Season Storage

1) We recommend that you drain the water over a floor drain, or alternatively a baking sheet. Screw off the drain cover and pull out the stopper to drain condensate water

completely.

2) Keep unit running in fan mode for half day to dry inside of unit completely to prevent from going moldy.

3) Turn off the unit, pull out the plug then wrap the power cord around the wire-winding pillar, insert the plug into the universal mounting hole at the back panel of the unit, install the water stopper and drain cover.

4) Remove the heat exhaust hose assembly, clean and keep it properly.

Note:

Push in the brackets, Hold the exhaust hose assembly with both hands when removal. Push the fasteners aside on exhaust air outlet using your thumbs, then pull out exhaust hose assembly.

5) Pack the air conditioner carefully with a soft plastic bag, put it on a dry place, and take appropriate action to protect it from dust. Keep the device out of the reach of children.

6) Take out the batteries from the remote control and store it properly.

Note:

*Assure the unit is stored in a dry place. All accessories for the device must be stored together and properly protected.

* The power cord holder and the universal socket provides protection to the power cord.

* High location of the exhaust air outlet, offers simple assembly and rapid ventilation.

* The unit's self-evaporative cooling system is intelligent, environmentally friendly and energy-saving.

* Features a 24-hour timer function, with a unique on/off musical sound.

* There is a 3 minute delay on restarting the compressor as a protective function.

WiFi function

1. Download and Install APP

Download Woods Connect app from App Store or Google Play

1. Register/Login/Forgot password

Register

If you don't have an App account, register an account or sign in with a verification code by SMS.

This page describes the registration process.

2. Tap to enter the registration page.

3. The system automatically recognises your country / area. You can also select your country code. Enter the mobile number/E-mail and tap "Next".

4. If you enter the mobile number, then enter the verification code in the message and enter the password tap "Confirm" to finish your registration.

5. If you enter the E-mail enter the password and tap "Confirm" to finish your registration.

2. Sign in with username and password or verification code via SMS

Sign in with username and password

1. The system automatically recognises your country / area. You can also select your country code. Enter the mobile number/E-mail and tap "Next"

2. Enter your registered mobile number or email, and password to login.

Sign in with verification code

1. Tap "Sign in with SMS verification"

on new page.

2. The system automatically recognises your country / area.

You can also select your country code by yourself.

Forgot password

If you forgot your password, please follow these procedures:

1. Tap "Forgot password".

2. The system automatically recognises your country / area. You can also select your country code by yourself. Enter the mobile number/E-mail and tap "Next".

3. Enter the verification code in the message/E-mail and enter the new password tap "Confirm" to finish.

Woods Connect supports the below functions:

- Power on/Power off
- Cool Mode
- Dehum Mode
- Fan Mode
- Eco Mode
- Temperature settings
- Speed: Low and High
- Timer: 1-24 h
- Sleep: On/Off
- Auto clean: On/Off
- Celsius/Fahrenheit
- Swing: On/Off

3. Follow the procedures in the APP to enjoy the WiFi features.

Smart Home

If you have a Smart Home product please finish steps 1 to 3.

Third-party Access Service: Tap a third-party voice service icon to see how to connect to the service.

Smart Home Woods Connect supports the following functions through voice command:

Power on/Power off
Temperature settings
Mode settings
Fan speed settings

For more information visit:

<https://woods.se/en/>

PROBLEM	CAUSE	REMEDY
The unit does not start when pressing on/off button	Not plugged in / Plug or socket is damaged.	Plug in or replace the power or socket.
	A fuse is blown or broken.	Replace the fuse (3.15A/250AC).
	The room temperature is lower than the set temperature. (Cooling mode)	Reset the temperature.
Not cool enough	The doors or windows are not closed.	Make sure all the windows and doors are closed.
	There are heat sources inside the room.	Remove the heat sources if possible.
	The exhaust air hose is not connected or blocked.	Connect or clean the exhaust air hose.
	Temperature setting is too high.	Reset the temperature.
	The air inlet is blocked.	Clean the air inlet.
High noise level	The ground is not level or not flat enough.	Place the unit on flat, level ground if possible
	The sound comes from the flowing of the refrigerant inside the air conditioner	It is normal.
If you are having trouble with your portable air conditioner, please refer to troubleshooting section below. If nothing of the below works, please contact your retailer for servicing of your Air Conditioner.		

Error Codes	CAUSE	REMEDY
E2 Code	Room temperature sensor failed or is damaged.	Replace room temperature sensor.
E3 Code	Evaporator temperature sensor failed.	Replace evaporator temperature sensor.
E4 Code	Water tank full.	Please empty the water tank.

Guarantees

2 years consumer warranty against production faults. Please note that the warranty is only valid upon the production of the receipt. The warranty is only valid if the product is used in accordance with the instructions and security warnings expressed in this manual. The warranty does not cover any damages caused by improper handling of the product.

NOTE: The 2 years warranty only applies for consumers and not to commercial use of the unit.



NOTE!

Register at www.warranty-woods.com and read about how to get an extended warranty. Please visit www.woods.se for more information.

Recommended limits for use

The best operating ambient temperature for cooling is 17-35 °C,
Fuse Parameter: ϕ 5.0x20mm
3.15A, 250Vac.

TECHNICAL DATA

	AC Milan 7K WIFI	AC Milan 9K WIFI	AC Como 12K WIFI WIFI
Cooling capacity	2000 W	2600 W	3500 W
Power consumption	750 W	950 W	1250W
Airflow:	350 m ³ /h	350 m ³ /h	380 m ³ /h
Energy class	A	A	A
Dehumidification	19 L / 24h	24 L / 24h	28,8 L / 24h
Temperature setting	15-31°C	15-31°C	15-31°C
Working temperature	16-43°C	16-43°C	16-43°C
EER	2,6	2,6	2,6
Length of air exhaust hose	1,5 m	1,5 m	1,5 m
Diameter of the air exhaust hose pipe	155mm	155mm	155mm
Refrigerant gas	R290/100g	R290/160g	R290/220g
Noise level in decibels	61dB	61dB	52dB
Weight	22kg	24kg	25Kg
Dimensions in mm, L x Wx H	355x350x700	355x350x700	355x350x700

*Technical changes and improvements may occur. All values are approximate and may vary due to external circumstances such as temperature, ventilation, and humidity.



*This marking indicates that this product should not be disposed of with other household wastes throughout the EU. To prevent possible harm to the environment or human health from uncontrolled waste disposal, recycle it responsibly to promote the sustainable reuse of material resources. To return your us device, please use the return and collection systems or contact the retailer where the product was purchased. They can take this product for environmentally safe recycling.



*Used batteries must not be disposed of through household garbage, since they might contain toxic elements and heavy metals that can be harmful to the environment and human health. Return empty batteries to an appropriate recycling facility.

WOOD'S FÖR REN OCH HÄLSOSAM INOMHUSLUFT

Varumärket Wood's grundades av familjen Wood för mer än 70 år sedan i den kanadensiska staden Guelph, Ontario. Det var då, på 1950-talet, som Wood's började utveckla och tillverka avfuktare. Sedan dess har Wood's hjälpt hundratusentals hushåll med att förhindra skador orsakade av mögel till följd av ånga, och att luften de andas är renare. Våra portabla luftkonditioneringsaggregat lämpar sig för användning i de flesta klimat, där kapaciteten är bra även när temperaturen och luftfuktigheten varierar. De används med gott resultat i lokaler som blir varma, såsom vardagsrum, kontor eller sovrum. Mängden varm luft som luftkonditioneringsaggregatet avlägsnar beror på temperaturen, luftfuktigheten och aggregatets placering. Yttre väderförhållanden kan också påverka luftkonditioneringsens prestanda.

Wood's luftkonditioneringsaggregat är säkra att använda och avsedda för kontinuerlig användning under många år.

HUR FUNGERAR LUFTKONDITIONERINGSENHETEN?

Lågt tryck ger kall luft
Den viktigaste komponenten i ett luftkonditioneringsaggregat är köldmediet, som under lågt tryck omvandlas till gas. Processen "skapar kyla" som överförs inåt, medan den varma luften stängs ute.
Ett flytande köldmedium passerar genom expansionsventilen och in i ett rör där trycket är lågt.
Köldmediet förångas och förvandlas till gas. Processen absorberar värme från omgivningen och röret kyls. En fläkt blåser den kalla luften in i rummet. Gasen leds genom en kompressor som ökar trycket och omvandlar gasen till vätska.
I den här processen frigörs värme, som leds i rör på motsatt sida och blåses ut av en fläkt.
En termostat stänger av enheten när inomhusluften är tillräckligt kall.

1. SÄKERHETSVARNINGAR



Brandfarligt material. Denna apparat innehåller R290/propan, ett brandfarligt köldmedium.



Se denna bruksanvisning för säkerhetsinformation.



Läs den tekniska manualen



Läs bruksanvisningen.

SÄKERHETSINFORMATION

Läs igenom de medföljande instruktionerna noggrant före installation och användning av apparaten. Tillverkaren tar inget ansvar för felaktig installation som orsakar personskador och materiella skador. Förvara alltid instruktionerna tillsammans med apparaten för framtida referens.

Barn och utsatta personers säkerhet

VARNING



Risk för personskada eller permanent invaliditet.
Denna apparat kan användas av barn från 8 år och uppåt och personer med nedsatt fysisk, sensorisk eller mental förmåga eller bristande erfarenhet och kunskap om de har fått tillsyn eller instruktioner om användning av apparaten på ett säkert sätt och förstå de faror som är inblandade.

Låt inte barn leka med apparaten. Barn som är yngre än 3 år bör hållas borta om de inte övervakas kontinuerligt.
Förvara allt emballage utom räckhåll för barn.
Rengöring och underhåll får inte göras av barn utan uppsikt..

Allmän säkerhet

Denna apparat är avsedd att användas i hushåll och liknande tillämpningar såsom: familjerum, vardagsrum, personalkök i butiker, kontor och andra arbetsmiljöer. Märkskylten är placerad på sidan eller baksidan av luftkonditioneringsenheten.
Se till att ventilationsöppningarna inte är blockerade.

Använd inte mekaniska anordningar eller andra hjälpmedel för att påskynda avfrostningen än de som rekommenderas av tillverkaren.
Apparaten får inte förvaras i ett rum med antändningskällor som är aktiva (till exempel: öppen eld, gasdriven utrustning eller en elektrisk värmare. Får inte punkteras eller brännas.
Tänk på att köldmedier kan avge lukt. Använd inte vattenspray och ånga för att rengöra apparaten.
Rengör apparaten med en fuktig, mjuk trasa. Använd endast neutrala rengöringsmedel. Använd inte slipmedel, den slipande sidan på kökssvampar, lösningsmedel eller metallföremål.
Om nätsladden är skadad måste den bytas ut av tillverkaren, dess auktoriserade servicecenter eller liknande kvalificerade personer för

att undvika fara.

SÄKERHETSFÖRESKRIFTER

Installation

VARNING

Denna apparat får endast installeras av en fackman. Ta bort allt emballage. Installera inte eller använd apparaten om den är skadad. Apparaten ska installeras, användas och förvaras i ett rum med en golvyta som är större än 4,2 m²(7k), 7,7 m²(9k), 9,6 m²(12k). Följ installationsanvisningarna som medföljer apparaten. Var alltid försiktig när du flyttar apparaten eftersom den är tung. Använd alltid skyddshandskar. Tänk på att köldmedier kan avge lukt.

Se till att luften kan cirkulera runt apparaten.

Vänta minst 4 timmar innan du ansluter apparaten till strömförsörjningen. Detta är för att oljan ska kunna rinna tillbaka in i kompressorn. Installera inte apparaten nära radiatorer eller andra värmekällor. Installera inte apparaten på en plats där den utsätts för direkt solljus.

Anslutning till elnätet

VARNING

Risk för brand och elstötar. Apparaten måste anslutas till ett jordat uttag. Se till att den elektriska informationen på märkskylten överensstämmer med

strömförsörjningen. Om inte, kontakta en elektriker.

Använd alltid ett korrekt installerat, stötsäkert uttag.

Använd inte grenuttag och förlängningskablar.

Se till att de elektriska komponenterna inte skadas (t.ex. stickkontakt, nätsladd).

Kontakta det auktoriserade servicecentret eller en elektriker för att byta ut elektriska komponenter. Nätsladden måste vara placerad på en nivå som är under stickkontakten. Anslut stickkontakten till eluttaget först när installationen är klar. Se till att det är enkelt att komma åt stickkontakten efter installationen.

Dra inte i sladden när du ska koppla från apparaten. Håll alltid i stickkontakten när du ska dra ut sladden.

Använda

VARNING

Risk för brännskador, elstötar eller brand.

Ändra inte specifikationen för denna apparat.

Var försiktig så att inte köldmediekretsen skadas. Kretsen innehåller propan (R290), som är en miljövänlig naturgas. Gasen är brandfarlig.

Om skador uppstår på köldmediekretsen, får det inte finnas någon öppen låga eller antändningskällor i rummet. Vädra ut gasen.

Placera inte brandfarliga produkter

eller föremål som är våta med brandfarliga produkter nära apparaten.

Placera inte brandfarliga produkter eller föremål som är våta med brandfarliga produkter nära apparaten.

Bortskaffning

VARNING

Risk för personskador.

Koppla bort apparaten från elnätet.

Klipp av nätsladden och släng den. Köldmediekretsen i denna apparat är ozonvänlig. Kontakta din kommun för information om hur du kasserar apparaten korrekt. Det är viktigt att delen på kylaggregatet som är närmast värmeväxlaren inte skadas.

FÖRBEREDA LUFTKONDITIONERINGEN FÖR INSTALLATION

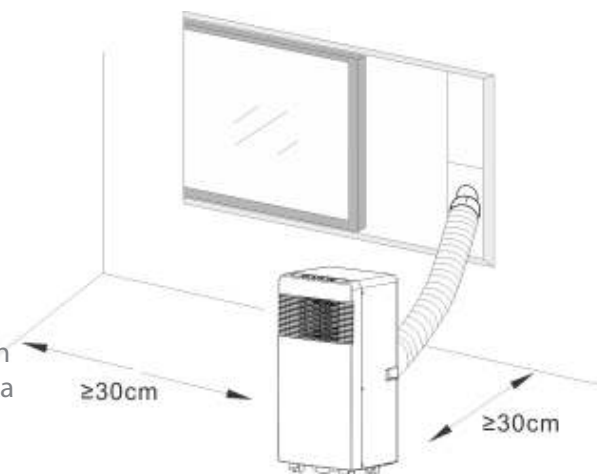
2. Installation

FÖRE FÖRSTA ANVÄNDNINGEN

Låt maskinen stå upprätt i 2 timmar före användning. Detta för att olja som eventuellt runnit ut i kylsystemet ska kunna rinna tillbaka till kompressorn. (Precis samma sak som gäller för ett kylskåp)

Viktigt

1. Denna luftkonditionering kan enkelt flyttas runt inomhus; se till att enheten hela tiden står upprätt när du flyttar den. Luftkonditioneringen ska placeras på en plan yta. Installera eller använd inte luftkonditioneringen i ett badrum eller andra våta miljöer. Eftersom en portabel luftkonditionering är på hjul, är det enkelt att flytta den. När det blir varmt flyttar du bara den portabla luftkonditioneringen till rummet och kan snabbt komma igång med att kyla utrymmet. Luftkonditioneringen måste användas i ett stängt utrymme för att vara så effektiv som möjligt. Stäng alla dörrar, fönster och andra öppningar till utsidan i rummet. Luftkonditioneringens effektivitet beror på temperaturen och luftfuktigheten i rummet. Men också om man har hög ventilation eller stora fönster med direkt solljus kan påverka kyleekten.
2. Placera luftkonditioneringen på en plats där luftflödet genom enhetens framsida inte begränsas.
3. Ett luftkonditioneringssystem som används i ett rum har liten eller ingen effekt när det gäller att torka ett angränsande stängt utrymme, t.ex. en garderob, om det inte finns tillräcklig luftcirkulation in i och ut från det aktuella utrymmet. Ett portabelt luftkonditioneringssystem leder ut värmen från enheten med hjälp av en ventilationsslang som dragsits genom ett fönster eller en frånluftsventil.
4. Avståndet mellan luftkonditioneringen och närmaste föremål bör vara minst 30 cm. Se bilden för referens.



PRODUKTBeskrivning

3. Produktbeskrivning

A

1. Frånluftssläng
2. Anslutning för frånluftssläng till AC:n
3. Anslutning för frånluftssläng till fönsterskena
4. Fjärrkontroll
5. Fönsterskena
6. Vattenplugg
7. Batterier

B

1. Bild produktens framsida

C

1. Kontrollpanelen
2. Luftutlopp kallluft
3. Signalmottagare
4. Fjärrkontroll
5. Transporthandtag
6. Luftutlopp slang
7. Luftintag förångare
8. Dräneringsutlopp

D

1. Bild produkten sedd ovanifrån










E

1.  Timer/Knapp Temperatur upp
2.  Timer/Knapp Temperatur ner
3.   Automatiskt-, kylningsläge
4.   Avfuktning och fläktläge
5.  WIFI
6.  Sleep
7.  Oscillering/Swing
8.  Timer
9.  Mode
10.  Fläktsymbol
11.  Strömknapp (on/off)
12.   Låg, Hög fläkthastighet
13.   Indikationslampa för barnlås och viloläge

F

1. Schematiskt diagram över rengöring av filterskärm

G

1.  KNAPP
Ström på/av
2.  KNAPP
Tryck på den här knappen för att välja drift-läge.
3.  KNAPP
Används för att välja fläkthastighet i sekvens.
4.  och  INSTÄLLNINGSKNAPPAR
används för att ställa in rumstemperaturen och timern.
5.  KNAPP
Används för att ställa in eller avbryta  knappen Mode (driftläge).
6.  KNAPP
Används för att ställa in automatisk avstängning (OFF) oc automatisk påslagning (ON).
7.  KNAPP
Används för att ställa in oscillerings-/ swingfunktion

H

1. Vrid in ändarna på frånluftslängen i anslutningarna enligt bild

I

1. Installationsanvisning av frånluftssläng

J

1. Installationsanvisning av fönsterskena. OBS! Denna fönsterskena passar inte till alla typer av fönster. Vi rekommenderar Wood's Window sealing kit (artikelnummer: wac_wk) om denna skena inte passar.

K

1. Installationsförslag av fönsterskena

L

1. Installationsanvisning av dräneringssläng- (OBS! Slang ingår ej. Munstycket är anpassat för en 10mm apparatslang)

FUNKTIONER I DE OLIKA DRIFTLÄGENA OCH INSTALLATIONS BESKRIVNINGAR

A. Tillbehör

Efter att du har packat upp produkten kontrollerar du att ovannämnda tillbehör ingår. Kontrollera därefter deras funktion i installationsintroduktionen i denna manual.

B. Portabel luftkonditionering

G. Fjärrkontrollens utseende och funktion. OBS! - Undvik att tappa fjärrkontrollen i marken. Placera inte fjärrkontrollen på en plats där den utsätts för direkt solljus.

M. Innan användning

Utför momenten i detta avsnitt innan du använder luftvärmväxlaren:

- 1) Välj en plats nära ett eluttag.
- 2) Installera frånluftsslagen och justera fönsterläget noggrant.
- 3) Se till att ansluta dräneringsslangen ordentligt (endast på modell med uppvärmningsfunktion;
- 4) Sätt i stickkontakten i ett jordat eluttag, AC220~240V/50Hz;
- 5) Slå på strömbrytaren (POWER) för att starta luftvärmväxlaren.

H, I och K. Introduktion till installation av frånluftsslang

A) Tillfällig installation

1. Vrid in båda ändarna på frånluftsslagen i slangkopplingen.
2. Sätt i det fyrkantiga fästclipset i luftutloppet på luftvärmväxlarens baksida
3. Dra den andra änden av frånluftsslagen till en position nära fönsterbrädan.

N. Installation av fönstersats

Fönstersatsen installeras oftast i något av lägena "horisontell" eller "vertikal". Som visat i Fig. 5 och Fig. 5a ska fönstrets mått kontrolleras före installation.

1. Installera fönstersatsen på fönstret;
2. Justera längden på fönsterreglagesatsen enligt fönstrets bredd eller höjd och fixera med pluggen;
3. Dra fönsterkopplingslangen genom hålet i fönstersatsen.

Vattenbehållaren inuti maskinen har en nivåvakt som känner av när behållaren är full. När behållaren är full, stänger maskinen av sig automatiskt och koden E4 visas i displayen. (Om vattenbehållaren är full vänligen ta bort gummipluggen i botten på enheten för att tömma ut vattnet.) Vi rekommenderar att du tappar ut vattnet över en golvbrunn, alternativt en ugnsplåt.

Det är mycket viktigt att filtret rengörs regelbundet; om inte kan luftkonditioneringens kapacitet försämrats och den kan till och med ta allvarlig skada.

Skötselråd och underhåll:

H. Förklaringar till underhåll:Declaration:

- 1) Före rengöring, se till att koppla bort enheten från strömförsörjningen;
- 2) Använd inte bensin eller andra kemikalier för att rengöra enheten;
- 3) Undvik att spola vatten direkt på enheten;
- 4) Om maskinen är skadad, vänligen kontakta återförsäljaren

1. Luftfiltret

- För att förhindra att luftfiltret sätts igen av damm/smuts bör det rengöras varannan vecka. - Demontering
Öppna luftinloppsgallret och ta bort luftfiltret.

- Rengöring

Rengör filtret med ett neutralt rengöringsmedel och ljummet vatten (40 °C) och låt lufttorka i skuggan.

- Montering

Sätt i luftfiltret i inloppsgallret och byt ut komponenterna som de var.

2. Rengör luftkonditioneringen

Rengör först ytan med ett neutralt rengöringsmedel och en våt trasa. Eftertorka med en torr trasa.

I. Före användning

Kontrollera att frånluftsslagen har monterats korrekt.

Försiktighetsåtgärder för kylning och avfuktning: - När du använder funktioner för kylning och avfuktning, håll ett intervall på minst 3 minuter mellan varje påslagning (POWER).

- Strömförsörjningen uppfyller kraven.
- Uttaget är ett växelströmsuttag.
- Dela inte uttag med andra apparater.
- Strömförsörjningen ska vara AC220-240V, 50Hz

1. Sätt på enheten

- a) Anslut, enheten piper en gång, "O" Strömindikatorlampan lyser.
- b) Tryck på "U" knappen, enheten slås på.
- c) LED-lampan visar rumstemperaturen och under Automatiskt läge.

2. Kylfunktion

- Tryck på knappen "Läge" tills ikonen "Cool" (Kylning) visas.

- Tryck på knappen "+" eller "-" för att välja önskad rumstemperatur. (15 °C - 31 °C)

- Tryck på knappen "Fläkthastighet" för att välja fläkthastighet.

3. Avfuktning

Tryck på knappen "Läge" tills ikonen "Dehumidify" visas. - Ställer automatiskt in den valda temperaturen på rumstemperaturen minus 2 °C.

- Ställer automatiskt in fläkttorn på fläkthastighet LOW (Låg).

4. Fläktdrift

- Tryck på knappen "Läge" tills ikonen "Fan" (Fläkt) visas.

- Tryck på knappen "Fläkthastighet" för att välja fläkthastighet.

5. Uppvärmning (denna funktion är inte tillgänglig på enkel enhet kylning) - - Tryck på knappen "Läge" tills ikonen "Heat" (Uppvärmning) visas.

- Tryck på knappen "+" eller "-" för att välja önskad rumstemperatur. (15 °C - 31 °C)

- Tryck på knappen "Fläkthastighet" för att välja fläkthastighet.

FUNKTIONER I DE OLIKA DRIFTLÄGENA OCH INSTALLATIONS BESKRIVNINGAR

6. ⌚ Timerdrift

- Tryck på "Timer"-knappen för att ställa in tid för Automatisk avstängning när enheten är igång.
- Tryck på timerknappen när maskinen är avstängd, för att ställa in en schemalagd start
- Tiden kan ställas in i intervallet 1 timme till 24 timmar.

Tryck på knappen temp upp (+) eller temp ner (-) för att öka eller minska tiden med 1 timme per knapptryckning.

7. 🌀 Drift

- Enheten är igång när den är i läget ❄️.
- Tryck på knappen 🌀 i läget ❄️, enheten kommer då att aktivera viloläget (ta bort resten). I viloläget kommer äkten att gå på låg hastighet. Den inställda temperaturen ökar med 1°C efter en timma och ökar temperaturen med 2°C efter två timmar. Efter 6 timmar stänger enheten av. Skulle temperaturen stiga med mer än 2°C över det inställda värdet, kommer maskinen att starta i full drift.

8. 🔄 Oscillering/swing

- när knappen Pendla aktiveras svängs pendlingsbladet upp och ner automatiskt. Om du vill stänga av pendlingsläget, trycker du bara på knappen igen.

Underhåll

Rengör enheten med en fuktig mjuk trasa. Använd inte lösningsmedel eller starka rengöringsmedel eftersom det kan skada ytan på enheten.

Service

Om luftkonditioneringen behöver servas, måste du först kontakta din lokala återförsäljare. Kvitto måste uppvisas för alla garantianspråk.

Förvaringsanvisningar

Förvaring efter säsongen

1) Vi rekommenderar att du tappar ut vattnet över en golvbrunn, alternativt en ugnsplåtSkruva av dräneringslocket och dra ut proppen för att tömma ut kondensvattnet.

2) Låt enheten vara påslagen i fläktläget en halv dag så att den torkar helt på insidan, detta för att förhindra mögeltillväxt.

3) Stäng av enheten, dra ut kontakten och linda nätsladden runt sladdupprullningspelaren, sätt i kontakten i universalfästhållet på enhetens baksida, installera vattenproppen och dräneringslocket.

4) Ta bort frånluftsslängen, rengör och förvara den korrekt.

Notera:

Håll i frånluftsslängen med båda händerna när du kopplar från den. Tryck fästena på frånluftsutloppet åt sidan med tummarna och dra sedan ut frånluftsslängen.

5) Emballera

luftkonditioneringsaggregatet noggrant med en mjuk plastpåse och ställ den på en torr plats och vidta lämpliga åtgärder för att skydda den mot damm. Se också till att enheten är utom räckhåll för barn.

6) Ta ut batterierna från fjärrkontrollen och förvara dem på lämpligt sätt.

OBS!

Det är viktigt att enheten förvaras på en torr plats.

Alla tillbehör till enheten ska förvaras tillsammans och skyddas ordentligt.

Nätsladdshållaren och universaluttaget ger ett bra skydd av nätsladden.

Hög placering av frånluftsutloppet, enkel montering och snabb ventilation.

Intelligent, miljövänlig och energibesparande med självvaporativa kylsystem.

24-timmars timerfunktion, unik på/av som påminner om musik.

3 minuters fördröjning vid omstart för

att skydda kompressorn och flera andra skyddsfunktioner.

WiFi-funktion

1. Ladda ner och installera appen

Ladda ner Woods Connect-app från App Store eller Google Play

1. Registrera/Logga in/Glöm lösenordet?

Registrera

Om du inte har ett app-konto, kan du skapa ett konto eller logga in med en verifieringskod som du får i ett SMS. Sidan beskriver registreringsprocessen.

1. Klicka för att öppna registrerings-sidan.
2. Systemet känner automatiskt igen ditt land/område. Du kan även välja landskod själv. Skriv in mobilnumret/e-postadressen och klicka på "Next".
3. Om du skriver in mobilnumret, anger du verifieringskoden i meddelandet och anger lösenordet, klicka på "Confirm" för att avsluta din registrering.
4. Om du skriver in din e-postadress, anger du lösenordet och klickar på "Confirm" för att avsluta din registrering.

2. Logga in med ditt användarnamn och lösenord eller verifieringskod via SMS

Logga in med ditt användarnamn och lösenord

1. Systemet känner automatiskt igen ditt land/område. Du kan också välja din landskod. Ange mobilnumret/E-postadress och tryck på "Next"
2. För att logga in, skriv in mobilnumret eller e-postadressen som du angav när du registrerade enheten samt lösenord

Logga in med verifieringskod

1. Klicka på "Logga in med SMS-verifiering" till ny sida

2. Systemet känner automatiskt igen ditt land/område.
Du kan även välja landskod själv.

Glömt lösenordet

Om du har glömt ditt lösenord följer du stegen nedan:

1. Tryck på "Glömt lösenordet"
2. Systemet känner automatiskt igen ditt land/område. Du kan även välja landskod själv. Skriv in mobilnumret/e-postadressen och klicka på "Next"
- 3 Skriv in verifieringskoden i meddelandet/e-postmeddelandet och skriv in det nya lösenordet, klicka sedan på "Confirm" för att avsluta.

WiFi Woods Connect stöder följande funktioner:

Ström på/Ström av
Kylläge
Tyst läge
Fläktläge
Eco-läge
Temperaturinställningar
Hastighet: Låg, medelhög och hög
Timer: 1-24 h
Viloläge: På/Av
Automatisk rengöring: På/Av
Celsius/Fahrenheit
Pendla: På/Av

3. Följ procedurerna i appen för att använda WiFi-funktionen.

Smart Home

Om du har en Smart Home-produkt slutför du steg 1 till 3.

Åtkomsttjänst för tredje part: Klicka på en ikon för en röststyrningstjänst från tredje part för att se hur du ansluter till tjänsten.
Du hittar dessa ikoner

Smart Home Woods Connect har stöd för röststyrning av följande funktioner:

Ström på/Ström av

funktionslägen
Fläktlägen
Temperaturinställningar

För mer information, besök:
<https://woods.se/en/>

PROBLEM	ORSAK	ÅTGÄRD
Enheten startar inte när jag trycker på PÅ/AV-knappen	Inte inkopplad/kontakten eller uttaget är skadat.	Anslut eller byt kontakten eller uttaget.
	Säkringen trasig.	Byt ut säkringen (3.15A/250AC)
	Rumstemperaturen är lägre än den inställda temperaturen. (Kylläge)	Återställ temperaturen
Inte tillräckligt svalt	Dörrarna eller fönstren är inte stängda.	Se till att alla fönster och dörrar är stängda.
	Det finns värmekällor i rummet.	Flytta om möjligt värmekällorna
	Frånluftsslangen är inte ansluten eller blockerad.	Anslut eller rengör frånluftsslangen.
	Den inställda temperaturen är för hög.	Återställ temperaturen
	Luftinloppet är blockerat.	Rengör luftinloppet.
Hög ljudnivå	Underlaget är inte jämnt eller tillräckligt plant	Placera om möjligt enheten på plant underlag
	Ljudet kommer från kylmediecirkulationen inuti luftvärmexlaren	Detta är normalt.
Om du har problem med din luftkonditionering, se felsökningen nedan. Om inget av nedanstående fungerar, kontakta din återförsäljare för att få din luftkonditionering servad.		

FELKODER	ORSAK	ÅTGÄRD
E2 kod	Fel på rumstemperaturgivare eller givaren skadad.	Byt ut rumstemperaturgivaren
E3 kod	Fel på förångartemperaturgivare.	Byt ut förångartemperaturgivaren
E4 kod	Vattenbehållaren full	Töm vattenbehållaren.

Garantier

2 års konsumentgaranti mot produktionsfel. Observera att garantin endast gäller mot uppvisande av kvittot. Garantin gäller endast om produkten används i enlighet med instruktionerna och säkerhetsvarningarna i denna manual. Garantin täcker inte skador orsakade av felaktigt handhavande av produkten.

OBS! Den 2-åriga garantin gäller endast för konsumenter och inte för kommersiell användning av enheten.



OBS!

Registrera produkten på www.warranty-woods.com och läs om hur du förlänger garantin. Gå in på www.woods.se för mer information.

Rekommenderade gränsvärden för användning

Den bästa omgivningstemperaturen för kylning är 17-35 °C, och den bästa omgivningstemperaturen för uppvärmning är 8-25 °C. Enheten arbetar i temperaturer upp till 43 °C.

TEKNISKA DATA

	AC Milan 7K WIFI	AC Milan 9K WIFI	AC Como 12K WIFI
Kylkapacitet	2000 W	2600 W	3500 W
Strömförbrukning	750 W	950 W	1250W
Luftflöde:	350 m3/h	350 m3/h	380 m3/h
Energiklass	A	A	A
Avfuktning	19 l/24h	24 L / 24h	28,8 L / 24h
Temperaturinställning	15-31 °C	15-31 °C	15-31 °C
Arbetstemperatur	16-43 °C	16-43 °C	16-43 °C
EER	2,6	2,6	2,6
Längd på dräneringsslang	1,0 m	1,0 m	1,0 m
Diameter på dräneringsslang	10mm	10mm	10mm
Köldmediegas	R290/100 g	R290/160 g	R290/220 g
Ljudnivå i decibel	61dB	61dB	52dB
Vikt	22 kg	24 kg	25 kg
Mått i mm, L x B x H	355x350x700	355x350x700	355x350x700

*Tekniska ändringar och förbättringar kan förekomma. Alla värden är ungefärliga och kan variera beroende på yttre omständigheter såsom temperatur, ventilation och luftfuktighet.



*Den här märkningen visar att den här produkten inte ska slängas i hushållsavfallet, i hela EU. För att förhindra skador på miljön eller människors hälsa till följd av okontrollerad sophantering ber vi dig att återvinna produkten ansvarsfullt för att främja hållbar återanvändning av materialresurser. För att återvinna din enhet, vänligen använd retur- och insamlingsystemen eller kontakta återförsäljaren där produkten köptes. De kan lämna in denna produkt för miljösäker återvinning.



*Använda batterier får inte kastas i hushållsavfallet eftersom de kan innehålla giftiga ämnen och tungmetaller som kan skada miljön och innebära hälsorisk. Returnera urladdade batterier till lämplig återvinningsanläggning.

WOOD'S FOR REN OG SUNN INNELUFT

Varemerket Wood's ble skapt av familien Wood for mer enn 70 år siden, i den kanadiske byen Guelph i Ontario. Det var der Wood's begynte å utvikle og produsere avfuktere i 1950. Siden den tid har Wood's hjulpet flere hundre tusen husholdninger med å forebygge skader som skyldes mugg og fukt, og med å gi dem renere luft. Våre bærbare klimaanlegg er egnet for bruk i de fleste klimaer og har god kapasitet også ved forskjellige temperatur- og fuktighetsnivåer. De brukes med gode resultater på steder der det blir varmt, som i oppholdsrom, kontorer eller soverom. Mengden varm luft som klimaanlegget fjerner, avhenger av temperatur, fuktighetsnivå og plassering. Eksterne værforhold kan også påvirke klimaanleggets ytelse.

Wood's klimaanlegg er trygge å bruke og ment til kontinuerlig bruk i mange år.

HVORDAN FUNGERER KLIMAAANLEGGET?

Lavt trykk gir kald luft

Hovedelementet i klimaanlegget er et kjølemiddel, som omdannes til gass ved lavt trykk. Prosessen «skaper kulde», som overføres innover, samtidig som den varme luften holdes ute.

Et flytende kjølemiddel føres gjennom en ekspansjonsventil og inn i et rør der trykket er lavt.

Kjølemiddelet fordampes og blir til gass. Prosessen absorberer varme fra omgivelsene, og røret avkjøles. En vifte blåser den kalde luften ut i rommet. Gassen føres gjennom en kompressor, som øker trykket og omdanner gassen til væske.

I denne prosessen frigjøres varme, som føres til rør på motsatt side og blåses ut av en vifte.

En termostat slår av enheten når inneluften er tilstrekkelig kald.

1. SIKKERHETSADVARSLER



Brennbart materiale. Denne enheten inneholder R290/propan, et brennbart kuldemedium.



Denne håndboken inneholder sikkerhetsinformasjon.



Les den tekniske håndboken



Les bruksanvisningen.

SIKKERHETSINFORMASJON

Les de vedlagte anvisningene nøye før enheten installeres og tas i bruk. Fabrikanten er ikke ansvarlig dersom feilaktig installering og bruk forårsaker skade på personer eller eiendom. Oppbevar alltid bruksanvisningen sammen med enheten til fremtidig bruk.

Sikkerheten til barn og sårbare mennesker

ADVARSEL

Fare for personskade eller varig uførhet.

Denne enheten kan brukes av barn fra 8 år og oppover, samt av personer med nedsatte fysiske, sensoriske eller mentale evner eller manglende erfaring og kunnskap, så fremt de har tilsyn eller har fått innføring i hvordan enheten brukes på en trygg og sikker måte, samt at de er klar over de farer bruken medfører.

Ikke la barn leke med enheten.

Barn under 3 år bør holdes unna enheten hvis de ikke har konstant tilsyn.

Oppbevar alt emballasjemateriale utilgjengelig for barn.

Rengjøring og vedlikehold skal ikke utføres av barn uten tilsyn.

Generell sikkerhet

Denne enheten er beregnet for bruk i private hjem og lignende, for eksempel: Stuer og andre oppholdsrom, pauserom i butikker, kontorer og andre arbeidsmiljøer. Merkeplaten er plassert på siden eller baksiden av klimaanlegget. Sørg for at ventilasjonsåpningene ikke er tildekket.

Ikke bruk mekanisk utstyr eller annet for å fremskynde avrimingsprosessen. Følg fabrikantens anvisninger. Enheten skal ikke oppbevares i et rom der det finnes antenneskilder (for eksempel åpen ild, gassdrevet utstyr i drift eller elektrisk varmeovn). Må ikke punkteres eller brennes. Det er ikke sikkert at kjølemiddelet lukter noe. Ikke rengjør enheten med vandusj og damp. Rengjør enheten med en fuktet myk klut. Bruk kun nøytrale rengjøringsmidler. Ikke bruk skurende produkter, skuresvamp, løsemidler eller metallgjenstander. Hvis strømledningen blir skadet, må den byttes av produsenten, et godkjent servicesenter eller liknende godkjent personell for å unngå farlige situasjoner.

SIKKERHETSANVISNINGER

Installasjon

ADVARSEL

Denne enheten må kun installeres av en kvalifisert person.

Fjern all emballasje.

Ikke installer eller bruk en skadet enhet. Enheten skal monteres,

brukes og oppbevares i rom som er større enn 4,2 m² (7k), 7,7m² (9k) eller 9,6 m² (12k). Følg monteringsanvisningen som leveres med enheten.

Vær alltid forsiktig når du flytter enheten - den er tung! Bruk alltid vernehansker. Det er ikke sikkert at kjølemiddelet lukter noe.

Påse at luften kan sirkulere rundt enheten.

Vent i minst 4 timer før enheten tilkoples strømmettet. Dette er for at oljen skal kunne renne tilbake i kompressoren. Ikke installer enheten nær radiatorer eller andre varmekilder. Ikke installer enheten slik at den blir stående i direkte sollys.

Strøm

ADVARSEL

Brann- og støtfare.

Enheten må koples til en jordet stikkontakt.

Kontroller at informasjonen på merkeplaten stemmer med strømforsyningen. Hvis ikke må du kontakte elektriker.

Bruk alltid korrekt montert stikkontakt.

Ikke bruk grenuttak og skjøteledninger.

Pass på at de elektriske komponentene (f.eks. støpsel,

strømledning) ikke skades.

Kontakt autorisert servicesenter eller elektriker for å få skiftet de elektriske komponentene.

Strømledningen må ligge lavere enn støpselet. Ikke plugg støpselet i stikkontakten før installeringen er fullført.

Påse at støpselet er tilgjengelig når installeringen er fullført.

Ikke dra i ledningen for å trekke ut støpselet. Hold alltid i støpselet.

Bruk

ADVARSEL

are for personskade, brannskade, elektrisk støt eller brann.

Enhetens spesifikasjoner må ikke endres.

Pass på at kjølekretsen ikke blir skadd. Den inneholder propan (R290), en naturgass med god miljøkompatibilitet. Denne gassen er antennbar.

Hvis det oppstår skade på kjølekretsen, må man påse at det ikke er flammer og antennelseskilder i rommet. Luft ut rommet.

Ikke legg antennebare produkter eller gjenstander våte av antennebare produkter nær eller på enheten.

Avfallshåndtering

ADVARSEL

Fare for personskade.

Kople enheten fra strømmettet.

Klipp av strømledningen og kast den.

Denne enhetens kjølemediumkrets er miljøvennlig. Ta kontakt med den lokale gjenvinningsstasjonen for å få informasjon om korrekt kassering av enheten. Ikke skad den delen av kjøleenheten som er nærmest varmeveksleren.

KLARGJØR KLIMAANLEGGET FOR INSTALLASJON

2. Installasjon

FØR FØRSTE GANGS BRUK

La maskinen stå i opptil to timer før du følger Velge et sted

Viktig

1. Dette klimaanlegget kan flyttes rundt innendørs etter behov. Hold enheten oppreist når den flyttes. Klimaanlegget skal stå på et flatt underlag. Dette klimaanlegget må ikke installeres eller brukes i baderom eller andre våtrom.

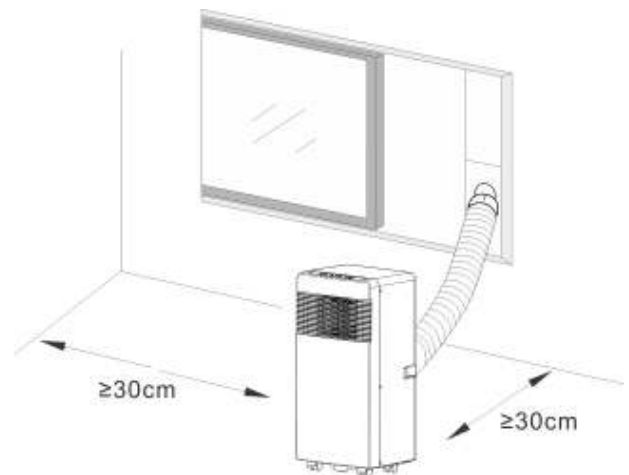
Ettersom et bærbart klimaanlegg går på hjul, er det enkelt å flytte. Når et rom blir varmt, flytter du det bærbare klimaanlegget til romme for å avkjøle det.

For optimal effektivitet bør klimaanlegget brukes i et lukket rom. Lukk alle dører, vinduer og andre åpninger til rommet. Klimaanleggets effektivitet avhenger av temperaturen og luftfuktigheten.

2. Plasser klimaanlegget slik at luften kan strømme fritt gjennom forsiden av enheten.

3. Klimaanlegget vil ha liten eller ingen effekt på tørking av tilstøtende, lukket oppbevaringsrom, for eksempel garderobeskap, hvis luften ikke kan sirkulere inn og ut. Et bærbart klimaanlegg slipper ut varmen fra enheten via en ventilasjonsslange gjennom et vindu eller en luftventil.

4. Det skal være minst 30 cm avstand mellom klimaanlegget og det nærmeste objektet. Se referansebildet.



PRODUKTBESKRIVELSE

3. Produktbeskrivelse

A

1. Utslippskanal for luft
2. Tilkobling av utslippskanal for luft
3. Vindusadapter for utluft
4. Fjernkontroll
5. Ledeplate
6. Vannplugg

B

1. Bilde av forsiden av produktet

C

1. Kontrollpanel
2. Utløp for kald luft
3. Signalmottaker
4. Fjernkontroll
5. Transporthåndtak
6. Luftutløpslange
7. Luftinntak for fordampere
8. Primær dreneringsport

D

1. Bilde av toppen av produktet

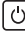








E

1.  Tidsur / temperatur opp-knapp
2.  Tidsur / temperatur ned-knapp
3.     Automatisk kjøling
Avfuktings- og viftemodus
4.  WIFI
5.  Knapp for nattmodus og barnelås
6.  Dreining
7.  Tidsurknapp
8.  Modusknapp
9.  Hastighetsknapp
10.  Strømknapp
11.  Lav/høy viftehastighet
12.  Strømindikator/barnelås

F

1. Diagram for rengjøring av filter

G

1.  KNAPP
Strøm på/av
2.  KNAPP
Trykk på denne knappen for å velge drifts-modus.
3.  KNAPP
Brukes til å velge viftehastighet.
4.  og  INNSTILLINGSKNAPPER
Trykk på denne knappen for å velge drifts-modus.
5.  KNAPP
Brukes til å angi eller avbryte  modusdrift.
6.  KNAPP
Brukes til å velge tid for automatisk AV og automatisk PÅ.
7.  KNAPP
Brukes til å stille inn automatisk dreining.

H

1. Vri begge ender av eksosslangen inn i slang-ekoblingen.

I

1. Informasjon om montering av eksosslange

J

1. Informasjon om montering av eksosslange

K

1. Montere vindussett

L

1. Koble til dreneringslange

BESKRIVELSER AV DRIFTSMODUSER OG INSTALLASJON

A. Tilbehør

Når du har pakket ut produktet, må du kontrollere at tilbehøret medfølger. Du finner informasjon om hvordan de skal installeres i denne bruksanvisningen.

B. Mobilt klimaanlegg

J. Fjernkontrollens utseende og funksjoner.

Merk: – Ikke mist fjernkontrollen.

Fjernkontrollen må ikke utsettes for direkte sollys.

M. Bruksanvisning

Før du begynner å bruke enheten:

- 1) Finn et sted med en stikkontakt i nærheten.
- 2) Installer eksosslangen, og juster vindusposisjonen.
- 3) Koble til dreneringsslangen (kun for modeller med oppvarming).
- 4) Koble strømledningen til en jordet stikkontakt, 220–240 V / 50 Hz AC.
- 5) Trykk på strømknappen for å slå på klimaanlegget.

K og L. Informasjon om montering av eksosslange

A) Midlertidig installasjon

1. Vri begge ender av eksosslangen inn i slangekoblingen.
2. Før det firkantede festet inn i luftutløpet på baksiden av klimaanlegget
3. Plasser den andre enden av eksosslangen i nærmeste vinduskarm.

N. Montere vindussett

Vindussettet monteres vanligvis horisontalt eller vertikalt. Som vist i figur 5 og 5a, må du kontrollere vinduets min. og maks-størrelse før montering.

1. Monter vindussettet i vinduet.
2. Juster lengden på vindussettet etter vinduets bredde eller høyde, og fest det med tappen.
3. Før vindustilkoblingsslangen til hullet i vindussettet.

O. Alarmfunksjon for full intern vannbeholder

Den interne vannbeholderen i klimaanlegget har brytere for vannivå som kontrollerer vannivået. Når vannet når forventet høyde, lyser indikatoren for å varsle om full beholder. Feilkoden «E4» vises i displayet. (Hvis vannpumpen er skadet og beholderen er full, må du fjerne gummiproppen på bunnen av enheten for å slippe ut vannet.)

Det er svært viktig at filteret rengjøres regelmessig, slik at klimaanlegget ikke mister kapasitet eller blir skadet.

H. Forklaring av forventet vedlikehold:

- 1) Trekk ut støpselet før rengjøring.
- 2) Produktet må ikke rengjøres med bensin eller andre kjemikalier.
- 3) Ikke vask produktet direkte.
- 4) Hvis produktet er skadet, må du
 1. Luftfilter
 - Hvis luftfilteret blir tilstoppet av støv og smuss, må det rengjøres en gang hver andre uke. – Demontering
 - Åpne luftinntaket, og fjern luftfilteret.
 - Rengjøring
 - Rengjør luftfilteret med nøytralt vaskemiddel og lunkent vann (40 °C), og la det tørke i skyggen.
 - Montering
 - Plasser luftfilteret i luftinntaket, og monter komponentene igjen.
 2. Rengjør klimaanleggets overflate med et nøytralt rengjøringsmiddel og en våt klut, og tørk deretter over med en tørr klut.

E. Före användning

Kontrollera att frånluftsslangen har monterats korrekt.
Försiktighetsåtgärder för kylning och avfuktning: - När du använder funktioner för kylning och avfuktning, håll ett intervall på minst 3 minuter mellan varje

påslagning (POWER).

– Strömförsörjningen uppfyller kraven.

E. Før bruk

Kontroller at eksosslangen er montert.

Forholdsregler for kjøling og avfuktning:

– Når du bruker kjøling og avfuktning, må det være en intervall på minst 3 minutter mellom dem.

– Strømforsyningen oppfyller kravene.


– Stikkkontakten er AC.

– Ikke del stikkontakt med andre apparater.

– Strømforsyningen er AC 220–240 V, 50 Hz

1. Slå på enheten

a) Koble til enheten. Den piper én gang, og strømindikatoren lyser.



b) Trykk på knappen «». Nå er enheten slått på.

c) LED-displayet viser romtemperaturen og automatisk modus.

2. Kjøling

– Trykk på knappen "Läge" tills ikonen "Cool" (Kylning) visas.

– Trykk på knappen Mode til kjøleikonet vises.

– Trykk på knappen «» eller «» for å velge romtemperatur. (15 °C - 31 °C)

– Trykk på viftehastighetsknappen for å velge hastighet.

3. Avfuktning Trykk på knappen «Mode» til avfuktingsikonet vises. – Temperaturen settes automatisk til aktuell romtemperatur minus 2 °C .

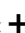
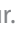
– Setter automatisk viftemotoren til lav hastighet.

4. Betjene viften

– Trykk på knappen Mode til vifteikonet vises.

– Trykk på viftehastighetsknappen for å velge hastighet.

5. Oppvarming (denne funksjonen er ikke tilgjengelig i enheter som kun har kjøling) – Trykk på «Mode»-knappen til varmeikonet vises.

– Trykk på knappen «» eller «» for å velge romtemperatur. (15–31 °C)

– Trykk på viftehastighetsknappen for å velge hastighet.

BESKRIVELSER AV DRIFTSMODUSER OG INSTALLASJON

6. ⌚ Bruke tidsur

- Trykk på knappen «Timer» for å velge hvor lenge enheten skal gå før den slås av.
- Trykk på knappen «Timer» for å velge hvor lang tid det skal gå før enheten slås av når operasjonen er fullført.
- Tiden kan justeres mellom 1 og 24

timer. Trykk på knappen (+) eller (-) for å øke eller redusere tiden med én time per trykk.

7. 😊 Bruk

- Enheden er effektiv når den er i ❄️ modusen.
- Trykk på 😊 knappen ❄️ i modus. Da vil enheten gå i nattmodus, og viften bytter automatisk til lav hastighet. Den innstilte temperaturen reduseres med 1 °C etter en time, og den øker med 2 °C etter to timer. Enheten stopper automatisk etter seks timer.

8. 🔄 Bruk

- Når dreiningsknappen er aktivert, vil bladene dreie opp og ned automatisk. Trykk på knappen igjen for å stoppe dem.

Vedlikehold

Rengjør enheten med en myk og fuktig klut. Ikke bruk løsemidler eller sterke rengjøringsmidler. Det kan skade overflaten på enheten.

Tjenester

Når klimaanlegget trenger service, må du først ta kontakt med forhandleren. Du må fremlegge kvittering ved garantikrav. Instruksjoner for oppbevaring

Instruksjoner for oppbevaring
Oppbevaring på slutten av sesongen

- 1) Skru av dreneringsdekselet og trekk ut pluggen for å tømme enheten for alt kondensvann.

- 2) Kjør enheten i viftmodus en halv dag for å tørke den helt innvendig og

forebygge muggdannelse.

- 3) Slå av enheten, trekk ut proppen, vikle opp strømledningen og fest støpselet i universalhullet på enhetens bakpanel, sett i dreneringspluggen og sett på dreneringsdekselet.

- 4) Fjern eksosslangen for varmluft, rengjør den og oppbevar den forsvarlig.

Merknader:

Hold eksosslangen med begge hender når du fjerner den.

Bruk tomlene til å skyve festene på eksosuttaket til side, og trekk ut eksosslangen.

- 5) Pakk inn klimaanlegget i myk plast og oppbevar det på et tørt sted, sørg for at det ikke slipper inn støv, og hold enheten utilgjengelig for barn.

- 6) Ta ut batteriene av fjernkontrollen, og oppbevar dem forsvarlig.

Merk:

Påse at enheten oppbevares på et tørt sted.

Alt tilbehør til enheten skal også beskyttes forsvarlig.

Holderen til strømledningen og universalkontakten gir god beskyttelse for strømledningen.

Høy plassering av eksosutløp, enkel montering og rask ventilering.

Intelligent, miljøvennlig og strømsparende med selvfordampende kjølesystem.

24-timers tidsurfunksjon, unik på/av-påminnelseslyd.

3-minutters forsinkelse ved omstart av kompressoren og flere andre beskyttelsesfunksjoner.

WiFi-funksjon

1. Last ned og installer APP

Last ned Woods Connect-appen fra App Store eller Google Play

1. Registrering/Pålogging/Glemt passord

Registrering

Hvis du ikke har en App-konto, kan du registrere en konto eller logge på med en bekreftelseskode du får på SMS.

På denne siden beskrives registreringsprosessen.

1. Trykk for å åpne registreringssiden
2. Systemet gjenkjenner land/område automatisk. Du kan også velge landskoden. Skriv inn mobilnummer/e-postadresse og trykk på «Neste».
3. Hvis du har angitt mobilnummeret, skriver du inn bekreftelseskoden fra meldingen, og skriver inn passordet. Trykk på «Bekreft» for å fullføre registreringen.
4. Hvis du har angitt e-postadressen, skriver du inn passordet og trykker på «Bekreft» for å fullføre registreringen.

2. Logg på med brukernavn og passord eller bekreftelseskode via SMS

Pålogging med brukernavn og passord

1. Systemet gjenkjenner land/område automatisk. Du kan også velge landskoden. Skriv inn mobilnummer/e-postadresse og trykk på «Neste»
2. Skriv inn det registrerte mobilnummeret eller e-postadressen samt passord for å logge deg på

Pålogging med bekreftelseskode

1. Trykk på «Logg på med SMS-bekreftelse» til ny side
2. Systemet gjenkjenner land/område automatisk.

Du kan også velge landskoden selv.

Glemt passord

Følg disse anvisningene hvis du har glemt passordet ditt:

1. Trykk på «Glemt passord»
2. Systemet gjenkjenner land/område automatisk. Du kan også velge landskoden selv. Skriv inn mobilnummer/e-postadresse og trykk på «Neste»
3. Skriv inn bekreftelseskoden i meldingen/e-posten og skriv inn det nye passordet. Trykk på «Bekreft» for å fullføre.

WiFi Woods Connect støtter følgende funksjoner:

Slå enheten på/av
Kjølemodus
Avfuktingsmodus
Viftmodus
Økomodus
Temperaturinnstillinger
Hastighet: Lav, middels og høy
Tidsur: 1–24 t
Deaktivering: På/av
Automatisk rengjøring: På/av
Celsius/Fahrenheit
Dreining: På/av

3. Følg anvisningene i appen for å bruke WiFi.

Smart Home

Utfør trinnene 1 til 3 hvis du har et Smart Home-produkt.

Tredjepartstilgang: Trykk på et ikon for taletjeneste fra tredjepart for å se hvordan du kan kople til tjenesten.

Du finner disse ikonene

Smart Home Woods Connect støtter følgende funksjoner ved stemmekommando:

Slå enheten på/av
Temperaturinnstillinger
Driftsmodi
Fan Modes

Hvis du vil ha mer informasjon, kan du gå til:

<https://woods.se/en/>

PROBLEM	ÅRSAK	TILTAK
Enheden starter ikke når jeg trykker på av/på-knappen	Ikke koblet til / støpselet eller stikkontakten er skadet.	Koble til, eller bytt stikkontakt eller støpsel.
	Ødelagt sikring	Bytt sikringen (3,15 A / 250 V AC)
	Romtemperaturen er lavere enn den innstilte temperaturen. (kjølemodus)	Återstill temperaturen
Ikke kjølig nok	Dørene eller vinduene er ikke lukket.	Påse at vinduene og dørene er lukket.
	Det er varmekilder i rommet.	Fjern varmekildene hvis det er mulig
	Eksosslangen er ikke koblet til, eller den er tett.	Koble til eller rengjør eksosslangen.
	Temperaturen er stilt inn for høyt.	Tilbakestill temperaturen
	Luftinntaket er blokkert.	Rengjør luftinntaket.
Høyt støynivå	Underlaget er ikke flatt nok	Plasser enheten på flatt og jevnt underlag
	Lyden kommer fra kjølemediet inne i enheten	Det er helt normalt.
Om du har problem med din klimaanlegg, se felsøkningen nedan. Om inget av nedanstående fungerer, kontakta din återförsäljare för att få din luftkonditionering servad.		

FEILKODER	ÅRSAK	TILTAK
E2-kode	Romtemperatursensoren er skadet eller ødelagt.	Bytt romtemperatursensor
E3-kode	Feil i fordampertemperatursensor.	Bytt fordampertemperatursensor
E4-kode	Vannbeholderen er full	Tøm vannbeholderen.

Garanti

To års garanti mot produksjonsfeil. Garantien gjelder kun ved fremvisning av kvittering. Garantien gjelder kun hvis produktet har blitt brukt i samsvar med instruksjonene og sikkerhetsanvisningene i denne bruksanvisningen. Garantien dekker ikke skader som skyldes feil bruk av produktet.

MERK: Garantien på to år gjelder ikke ved kommersiell bruk av enheten.



MERK:

Registrer produktet på www.warranty-woods.com og les om hvordan du kan få utvidet garanti. Du finner mer informasjon på www.woods.se.

Anbefalte bruksgrenser

Den beste omgivelsestemperaturen for kjøling er 17–35 °C, og den beste omgivelsestemperaturen for oppvarming er 8–25 °C. Enheten kan kjøres opp til +43 °C. Sikringsparameter: \varnothing 5,0 x 20 mm 3,15 A, 250 V AC.

TEKNISKE DATA

	AC Milan 7K WIFI	AC Milan 9K WIFI	AC Como 12K WIFI
Kjølekapasitet	2000 W	2600 W	3500 W
Strømforbruk	750 W	950 W	1250 W
Luftgjennomstrømning:	350 m ³ /t	350 m ³ /t	380 m ³ /t
Energiklasse	A	A	A
Avfukting	19 l / 24 t	24 l / 24 t	28,8 l / 24 t
Temperaturinnstilling	15–31 °C	15–31 °C	15–31 °C
Arbeidstemperatur	16–43 °C	16–43 °C	16–43 °C
EER	2,6	2,6	2,6
Lengde på avløpslange	1,0 m	1,0 m	1,0 m
Diameter på slange	10 mm	10 mm	10 mm
Kuldemedium	R290 / 100 g	R290 / 160 g	R290 / 220 g
Støynivå i desibel	61dB	61dB	52 dB
Vekt	22 kg	24 kg	25 kg
Mål i mm, L x B x H	355 x 350 x 700	355 x 350 x 700	355 x 350 x 700

*Tekniske endringer og forbedringer kan forekomme. Alle verdier er omtrentlige og kan variere med eksterne forhold som temperatur, ventilasjon og luftfuktighet.



*Denne merkingen indikerer at dette produktet ikke skal kastes i restavfallet. For å unngå mulig skader på miljø og helse som følge av ukontrollert avfallshåndtering, skal apparatet resirkulere på ansvarlig måte for å fremme bærekraftig gjenbruk av ressursene. For å returnere apparatet kan du bruke retur- og innsamlingssystemet eller ta kontakt med forhandleren der produktet ble kjøpt. De kan resirkulere dette produktet på en miljøvennlig måte.



*Brukte batterier må ikke kastes i husholdningsavfall, siden de kan inneholde giftige komponenter og tungmetaller som kan være skadelige for helse og miljø. Tomme batterier skal returneres til en miljøstasjon.

WOOD'S SØRGER FOR REN OG SUND INDELUFT

Brandet Wood's blev skabt af familien Wood's for over 70 år siden i den canadiske by Guelph i Ontario. Her begyndte Wood's at udvikle og fremstille affugtere i 1950. Siden da har Wood's hjulpet flere hundrede tusinde husstande med at undgå skader fra skimmelsvamp og gøre indeluften renere. Vores transportable klima anlæg er velegnede til brug i de fleste klimaer, hvor kapaciteten er god selv ved forskellige temperaturer og fugtighedsgrader. De bruges med gode resultater i lokaler, der bliver varme, såsom stuer, kontorer og soveværelser. Mængden af varm luft, som klima anlægget fjerner, afhænger af temperatur, fugtighed og placering. Ydre vejrforhold kan også påvirke klima anlæggets ydelse. Klima anlæg fra Wood's er driftssikre og beregnet til kontinuerlig brug i mange år

HVORDAN FUNGERER KLIMAANLÆGGET?

Lavt tryk giver kold luft
Hovedelementet i klima anlægget er et kølemiddel, som under lavt tryk omdannes til gas. Processen "skaber kulde", som føres indad, mens den varme luft holdes ude. Et flydende kølemiddel løber gennem en ekspansionsventil og ind i et rør, hvor trykket er lavt. Kølemidlet fordamper og bliver til gas. Processen absorberer varme fra omgivelserne, og røret afkøles. Blæseren blæser den kolde luft ind i lokalet. Gassen passerer gennem en kompressor, som øger trykket og omdanner gassen til væske. I denne proces frigives varme, som føres til rør på den modsatte side og blæses ud af en ventilator. En termostat slukker for enheden, når indeluften er kold nok.

1. SIKKERHEDSADVARSLER



Brændbart materiale. Dette apparat indeholder R290/propan, som er et brændbart kølemiddel.



Sikkerhedsoplysninger kan ses i manualen.



Læs den tekniske vejledning.



Læs betjeningsvejledningen.

SIKKERHEDSOPLYSNINGER

Læs den medfølgende vejledning omhyggeligt, inden apparatet installeres og tages i brug. Producenten er ikke ansvarlig, hvis forkert installation og brug forårsager person- og tingskade. Opbevar altid vejledningen sammen med apparatet til fremtidig reference.

Børns og udsatte personers sikkerhed

ADVARSEL

Risiko for personskade eller permanent funktionsnedsættelse. Dette apparat kan anvendes af børn i alderen 8 år og derover samt personer med nedsatte fysiske, sensoriske eller mentale evner eller manglende erfaring og viden, hvis de superviseres eller har fået instruktion i at bruge apparatet på en sikker måde og forstår, hvilken fare det indebærer.

Lad ikke børn lege med apparatet. Børn under 3 år skal holdes væk fra apparatet, medmindre de hele tiden overvåges.

Al emballage skal holdes væk fra børn.

Rengøring og brugervedligeholdelse må ikke foretages af børn uden opsyn.

Generelle sikkerhedsforskrifter

Dette apparat er beregnet til husholdningsbrug og lignende anvendelser, f.eks.: i alrum, stuer, personalekøkkener i butikker, på kontorer og i andre arbejdsmiljøer. Mærkepladen er placeret på siden af eller bag på klima anlægget. Ventilationsåbningerne må ikke blokeres.

Der må ikke anvendes mekaniske anordninger eller andre midler til at fremskynde afrimningsprocessen, bortset fra dem, producenten anbefaler.

Apparatet må ikke opbevares i et lokale, hvor der anvendes antændingskilder, eksempelvis åben ild, gasapparater eller et elektrisk varmeapparat. Må ikke punkteres eller brændes.

Vær opmærksom på, at kølemidler ikke nødvendigvis kan lugtes. Brug ikke vand eller damp til at rengøre apparatet. Rengør apparatet med en fugtig, blød klud. Brug kun neutrale rengøringsmidler. Brug ikke slibemidler, slibende rengøringssvampe, opløsningsmidler eller metalgenstande.

Hvis elledningen er beskadiget, skal den udskiftes af fabrikanten, et

autoriseret servicecenter eller en tilsvarende kvalificeret person for at undgå fare.

SIKKERHEDSANVISNINGER

Installation

ADVARSEL

Dette apparat må kun installeres af en kvalificeret person.

Fjern al emballagen.

Apparatet må ikke installeres eller anvendes, hvis det er beskadiget.

Apparatet skal installeres, betjenes og opbevares i et lokale med et gulvareal, der er større end 4,2m² (7k), 7,7m² (9k), 9,6m² (12k). Følg installationsvejledningen, der følger med apparatet.

Vær altid forsigtig, når du flytter apparatet, da det er tungt. Brug altid sikkerhedshandsker. Vær opmærksom på, at kølemidler ikke nødvendigvis kan lugtes.

Sørg for, at luften kan cirkulere omkring apparatet.

Vent mindst 4 timer, før apparatet tilsluttes til strømforsyningen.

Dette er for at give olien mulighed for at flyde tilbage i kompressoren.

Apparatet må ikke installeres tæt på radiatorer eller andre varmekilder. Apparatet må ikke installeres et sted, hvor der er direkte sollys.

Elektrisk tilslutning

ADVARSEL

Risiko for brand og elektrisk stød.

Apparatet skal tilsluttes til en jordet stikkontakt.

Sørg for, at strømoplysningerne på mærkepladen er i

overensstemmelse med strømforsyningen. Hvis ikke, skal du kontakte en elektriker.

Brug altid en korrekt installeret og stødsikker stikkontakt.

Brug ikke adaptore til flere stik og forlængerkabler.

Sørg for ikke at beskadige de elektriske komponenter (f.eks. netstik, strømkabel).

Kontakt et autoriseret servicecenter eller en elektriker for at ændre de elektriske komponenter.

Netkablet skal forblive under netstikkets niveau. Tilslut først netstikket til stikkontakten som det sidste i forbindelse med installationen.

Sørg for, at der er adgang til netstikket efter installationen.

Træk ikke i strømkablet for at frakoble apparatet. Træk altid i netstikket.

Anvendelse

ADVARSEL

Risiko for personskade, forbrændinger, elektrisk stød eller brand. Du må ikke ændre specifikationen for dette apparat.

Pas på ikke at beskadige kølemiddelkredsløbet. Det indeholder propan (R290), som er en naturgas med en høj grad af miljøvenlighed. Denne gas er brændbar.

Hvis der opstår skader på kølemiddelkredsløbet, skal du sørge for, at der ikke er flammer og antændelseskilder i lokalet. Udluft lokalet.

Placer ikke brændbare produkter eller genstande, der er gennemvædet med brændbare væsker, i

nærheden af eller på apparatet.

Bortskaffelse

ADVARSEL

Risiko for personskade.

Træk apparatets stik ud af stikkontakten.

Fjern strømkablet, og kassér det. Kølemiddelkredsløbet i dette apparat er ozonvenligt. Kontakt kommunen for at få oplysninger om korrekt bortskaffelse af produktet.

Den del af køleenheden, der er i nærheden af varmeveksleren, må ikke beskadiges.

INSTALLATION AF KLIMAANLÆGGET

2. Installation

INDEN BRUG FØRSTE GANG

Lad maskinen stå oprejst i 2 timer inden brug.

Valg af placering

Vigtigt

1. Dette klimaanlæg kan nemt flyttes rundt indendørs. Hold apparatet i oprejst stilling, når det flyttes. Klimaanlægget skal placeres på en plan flade. Klimaanlægget må ikke installeres eller anvendes i et badeværelse eller vådmiljø.

Eftersom det transportable klimaanlæg har hjul, er det nemt at flytte rundt på det. Når varmen tændes, skal du bare flytte det transportable klimaanlæg ind i lokalet, og så kommer kølingen af lokalet hurtigt i gang.

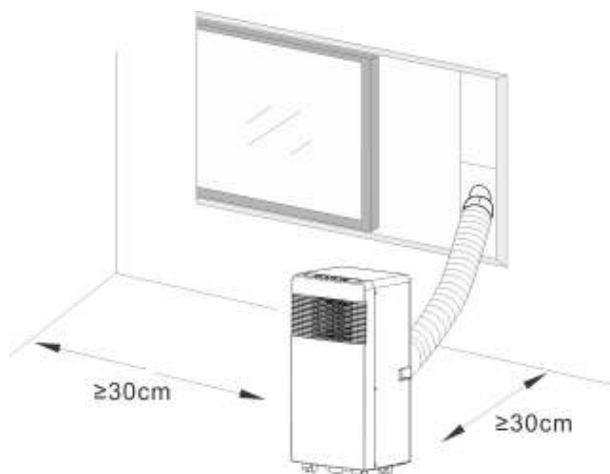
Klimaanlægget skal anvendes i et lukket område for at være mest effektivt. Luk alle døre, vinduer og andre udvendige åbninger til lokalet.

Klimaanlæggets effektivitet afhænger af temperatur og fugtighedsgrad.

2. Placer klimaanlægget et sted, hvor luftstrømmen gennem apparatets front ikke begrænses.

























3. Et klimaanlæg, der anvendes i et rum, har ringe eller ingen effekt på tørring af et tilstødende lukket opbevaringsområde, såsom et skab, medmindre der er tilstrækkelig luftcirkulation ind og ud af området. Varmen i det transportable klimaanlæg fjernes med en ventilationsslange, der føres ud af et vindue eller en udluftningsventil.

4. Der bør være mindst 30 cm afstand mellem klimaanlægget og nærmeste genstand. Se billedet.



PRODUKTBEKRIVELSE

3. Produktbeskrivelse

- A**
1. Luftaftrækskanal
 2. Tilslutning til luftaftrækskanal
 3. Adapter til vinduesaftræk
 4. Fjernbetjening
 5. Baffelplade
 6. Vandprop
- B**
1. Billede af produktets forside
- C**
1. Betjeningspanel
 2. Udtag af kold luft
 3. Signalmodtager
 4. Fjernbetjening
 5. Transporthåndtag
 6. Luftudtagslange
 7. Luftindtag på fordampner
 8. Primær afløbssport
- D**
1. Billede af produktets overdel
- E**
1.  Timer/temperatur op-knap
 2.  Timer/temperatur ned-knap
 3.     Automatisk køler-, affugter- og blæsertilstand
 4.  WIFI
 5.  Dvale- og børnelåsknap
 6.  Svingningsfunktion
 7.  Timer-knap
 8.  Tilstandsknap
 9.  Hastighedsknap
 10.  Tænd/sluk-knap
 11.  Lav/høj blæserhastighed
 12.  Strømindikator/børnelås
- F**
1. Skematisk diagram over rengøring af filternet
- G**
1.  KNAP
Tænd/sluk
 2.  KNAP
Tryk på denne knap for at vælge driftstilstand.
 3.  KNAP
Bruges til at vælge blæserhastighed i sekvens.
 4.  og  INDSTILLINGSKNAPPER
bruges til at justere rumtemperaturen og timeren.
 5.  KNAP
Bruges til at indstille eller annullere funktion i  tilstanden.
 6.  KNAP
Bruges til at indstille tid for automatisk FRA og automatisk TIL.
 7.  KNAP
Bruges til at indstille automatisk svingningsfunktion.
- H**
1. Skru begge ender af aftrækslangen fast i slangetilslutningen.
- I**
1. Introduktion til installation af aftrækslangen
- J**
1. Introduktion til installation af aftrækslangen
- K**
1. Installation af vinduesskinnesæt
- L**
1. Tilslut afløbsslangen

DRIFTSTILSTANDENES VIRKEMÅDE OG INSTALLATIONSVEJLEDNING

A. Tilbehør

Når du har pakket udstyret ud, skal du kontrollere, om ovennævnte tilbehør er inkluderet. Læs desuden om tilbehørets formål i introduktionen til installationen i denne vejledning.

B. Mobilt klimaanlæg

J. Fjernbetjenings udseende og funktion.

Bemærk: - Undgå at tabe fjernbetjeningen. Anbring ikke fjernbetjeningen i direkte sollys.

M. Introduktion til betjening

Gør følgende, før du udfører de handlinger, der er beskrevet i dette afsnit:

- 1) Find en placering, hvor der er en stikkontakt i nærheden.
- 2) Monter aftræksslangen, og juster vinduespositionen korrekt.
- 3) Tilslut afløbsslangen korrekt (kun ved brug af modellen med varmfunktion).
- 4) Slut strømforsyningskablet til en jordet stikkontakt AC 220~240 V/50 Hz.
- 5) Tryk på tænd/sluk-knappen (POWER) for at tænde for klimaanlægget.

K&L. Introduktion til installation af aftræksslangen

A) Midlertidig installation

1. Skru begge ender af aftræksslangen fast i slangetilslutningen.
2. Sæt den kvadratiske monteringsclips i luftudtaget på bagsiden af klimaanlægget.
3. Anbring den anden ende af aftræksslangen i nærheden af vindueskarmen.

N. Installation af vinduesskinnesæt

Vinduesskinnesættet monteres som regel "vandret" eller "lodret". Kontrollér før installationen vinduets minimum- og maksimumstørrelse som vist på fig. 5 og fig. 5a.

1. Installer vinduessættet på vinduet.
2. Juster vinduesskinnesættets længde alt efter vinduets bredde eller højde, og fastgør det med låsetappen.
3. Slut slangen med

vinduestilslutningsstykket til hullet i vinduessættet.

O. Alarmfunktion for fuld vandbeholder Vandbeholderen i klimaanlægget er udstyret med en sikkerhedsafbryder med niveauføler, som styrer vandstanden. Når vandstanden når et bestemt niveau, lyser indikatoren for fuld vandbeholder. Fejlkode "E4" vises på displayet. (Hvis vandpumpen er beskadiget, kan du tømme den fulde vandbeholder ved at fjerne gummiproppen nederst på apparatet, så alt vandet løber ud).

Det er vigtigt, at filtret rengøres regelmæssigt, for ellers kan klimaanlæggets kapacitet falde, og det kan blive alvorligt beskadiget.

H. Erklæring om

vedligeholdelsesansvisninger:

- 1) Tag altid strømforsyningskablet ud af stikkontakten, før du rengør apparatet.
- 2) Brug ikke benzin eller andre kemikalier til rengøring af apparatet.
- 3) Nedsenk ikke apparatet i vand.
- 4) Hvis klimaanlægget er beskadiget, skal du kontakte forhandleren eller en reparatør.

1. Luftfilter

- Rengør luftfilteret hver uge eller hver anden uge, så du undgår, at det bliver tilstoppet af støv/snavs. - Afmontering Åbn luftindtagsgitteret, og afmonter luftfilteret.

- Rengøring

Rengør luftfiltret med et neutralt rengøringsmiddel i lunkent vand (40 °C), og lad det tørre i skyggen.

- Montering

Sæt luftfiltret tilbage på plads i luftindtagsgitteret.

2. Udvendig rengøring af klimaanlægget Rengør klimaanlægget udvendigt med et neutralt rengøringsmiddel og en fugtig klud, og tør efter med en tør klud.

E. Før brug

Kontrollér, at aftræksslangen er monteret korrekt.

Sikkerhedsforanstaltninger ved brug af køle- og affugtningsfunktionerne: -Når du bruger køle- og affugtningsfunktionerne, skal du holde en pause på mindst 3 minutter mellem hver aktivering.

- Strømforsyningen skal opfylde kravene.
- Stikkontakten skal være til vekselstrøm.
- Undlad at slutte flere apparater til samme stikkontakt.
- Strømforsyningen skal være AC 220-240 V, 50 Hz.

1. Tænd for enheden

a) Tilslut, hvorefter enheden bipper én gang. Strømindikatorlampen er tændt.

b) Tryk på knappen "☺", hvorefter enheden er tændt.

c) LED'en viser rumtemperaturen og under Automatisk tilstand.

2. Kølefunktion

- Tryk på knappen "Mode", indtil ikonet "Cool" vises.

- Tryk på knappen (+) eller (-) for at vælge den ønskede rumtemperatur. (15 °C-31 °C)

- Tryk på knappen "Fan Speed" for at vælge blæserhastighed.

3. Affugtningsfunktion Tryk på knappen "Mode", indtil ikonet "Dehumidify" vises. - Temperaturen indstilles automatisk til den aktuelle rumtemperatur minus 2 °C.

- Ventilatormotoren indstilles automatisk til lav blæserhastighed (LOW).

4. Ventilationsfunktion

- Tryk på knappen "Mode", indtil ikonet "Fan" vises.

- Tryk på knappen "Fan Speed" for at vælge blæserhastighed.

5. Varmefunktion (denne funktion er ikke tilgængelig på apparater, der kun er beregnet til køling) - Tryk på knappen "Mode", indtil ikonet "Heat" vises.

- Tryk på knappen (+) eller (-) for at vælge den ønskede rumtemperatur. (15 °C-31 °C)

- Tryk på knappen "Fan Speed" for at vælge blæserhastighed.

BESKRIVELSER AV DRIFTSMODUSER OG INSTALLASJON

6. ⌚ Timerfunktion

- Tryk på knappen "Timer" for at indstille tiden for automatisk FRA, mens enheden kører.
- Tryk på knappen "Timer" for at indstille tiden for automatisk FRA, mens enheden er klar.
- Tiden kan indstilles inden for et interval på 1 time til 24 timer. Tryk på knappen for temp op (+) eller temp ned (-) for at øge eller sænke tiden 1 time ved at trykke én gang.

7. ☺ Virkemåde

- Funktionen træder i kraft, når enheden er i ❄ -tilstand.
- Tryk på ☺ knappen ❄ -tilstand, hvorefter enheden vil fungere i dvaletilstand, og op-blæseren vil automatisk skifte til lav hastighed. Den indstillede temperatur vil stige 1 °C efter en time og stige med 2 °C efter to timer. Efter seks timer holder enheden op med at køre.

8. ⚙ Virkemåde

- når svingknappen aktiveres, svinger svingbladet automatisk op og ned. Hvis du vil stoppe, skal du trykke på knappen igen.

Vedligeholdelse

Rengør apparatet med en fugtig blød klud. Brug ikke opløsningsmidler eller stærke rengøringsmidler, da de kan beskadige apparatets overflade.

Service

Hvis klimaanlægget trænger til service, skal du først kontakte din lokale forhandler. Købsbevis skal fremvises i forbindelse med alle garantikrav.

Opbevaringsvejledning

Opbevaring, når sæsonen er slut

- Skru udløbshætten af, og træk proppen ud for at tømme kondensvandet helt ud.
- Lad apparatet køre i blæsertilstand en halv dag for at tørre dets inderside helt og dermed forhindre, at der dannes mug.

- Sluk for apparatet, træk stikket ud, og vikl derefter elledningen rundt om ledningsholderen. Sæt stikket i fastgørelseshullet på apparatets bagpanel. Monter vandproppen og udløbshætten.

- Fjern aftræksslangeenheden til varm luft. Rengør den, og opbevar den på korrekt vis.

Bemærk:

Hold om aftræksslangeenheden med begge hænder, når den fjernes.

Skub fastgørelsesanordningerne på luftudtaget til side med tommelfingrene, og træk aftræksslangeenheden ud.

- Pak klimaanlægget korrekt ind i blød plast, og placer det et tørt sted, hvor der ikke er støv. Apparatet skal holdes væk fra børn.

- Tag batterierne ud af fjernbetjeningen, og opbevar den på korrekt vis.

Bemærk:

Sørg for, at apparatet opbevares et tørt sted.

Alt tilbehør til apparatet holdes samlet og beskyttes på korrekt vis.

Holderen til elledningen og hullet til stikket beskytter elledningen.

Høj placering af luftudtaget, nem montering og hurtig udluftning.

Intelligent, miljøvenlig og energibesparende med selvfordampende kølesystem.

24-timers timerfunktion, påmindelsesmusik ved tænd/sluk.

3-minutters genstartsforsinkelse for kompressoren og flere andre beskyttelsesfunktioner.

WiFi-funksjon

1. Last ned og installer APP

Last ned Woods Connect-appen fra App Store eller Google Play

1. Registrering/Pålogging/Glemt passord

Registrering

Hvis du ikke har en App-konto, kan du registrere en konto eller logge på med en bekreftelseskode du får på SMS.

På denne siden beskrives registreringsprosessen.

1. Trykk for å åpne registreringssiden
2. Systemet gjenkjenner land/område automatisk. Du kan også velge landskoden. Skriv inn mobilnummer/ e-postadresse og trykk på «Neste».
3. Hvis du har angitt mobilnummeret, skriver du inn bekreftelseskoden fra meldingen, og skriver inn passordet. Trykk på «Bekreft» for å fullføre registreringen.
4. Hvis du har angitt e-postadressen, skriver du inn passordet og trykker på «Bekreft» for å fullføre registreringen.

2. Logg på med brukernavn og passord eller bekreftelseskode via SMS

Pålogging med brukernavn og passord

1. Systemet gjenkjenner land/område automatisk. Du kan også velge landskoden. Skriv inn mobilnummer/ e-postadresse og trykk på «Neste»
2. Skriv inn det registrerte mobilnummeret eller e-postadressen samt passord for å logge deg på

Pålogging med bekreftelseskode

1. Trykk på «Logg på med SMS-bekreftelse» til ny side
2. Systemet gjenkjenner land/område automatisk.

Du kan også velge landskoden selv.

Glemt passord

Følg disse anvisningene hvis du har glemt passordet ditt:

1. Trykk på «Glemt passord»
2. Systemet gjenkjenner land/ område automatisk. Du kan også velge landskoden selv. Skriv inn mobilnummer/e-postadresse og trykk på «Neste»
3. Skriv inn bekreftelseskoden i meldingen/e-posten og skriv inn det nye passordet. Trykk på «Bekreft» for å fullføre.

WiFi Woods Connect støtter følgende funksjoner:

Slå enheten på/av
Kjølemodus
Avfuktingsmodus
Viftmodus
Økomodus
Temperaturinnstillinger
Hastighet: Lav, middels og høy
Tidsur: 1–24 t
Deaktivering: På/av
Automatisk rengjøring: På/av
Celsius/Fahrenheit
Dreining: På/av

3. Følg anvisningene i appen for å bruke WiFi.

Smart Home

Utfør trinnene 1 til 3 hvis du har et Smart Home-produkt.

Tredjepartstilgang: Trykk på et ikon for taletjeneste fra tredjepart for å se hvordan du kan kople til tjenesten.

Du finner disse ikonene

Smart Home Woods Connect støtter følgende funksjoner ved stemmekommando:

Slå enheten på/av
Temperaturinnstillinger
Driftsmodi
Fan Modes

Hvis du vil ha mer informasjon, kan du gå til:

<https://woods.se/en/>

PROBLEM	ÅRSAG	AFHJÆLPNING
Apparatet starter ikke, når der trykkes på tænd/sluk-knappen	Ikke tilsluttet/stik eller fatning er beskadiget.	Tilslut eller udskift stik eller fatning.
	Sikringen er gået	Udskift sikringen (3,15 A/250 VAC)
	Rumtemperaturen er lavere end den indstillede temperatur. (køletilstand).	Nulstil temperaturen.
Der er ikke køligt nok	Døre eller vinduerne er ikke lukkede.	Sørg for, at alle vinduer og døre er lukkede.
	Der er varmekilder i rummet.	Fjern varmekilderne, hvis det er muligt.
	Aftræksslangen til varm luft er ikke tilsluttet eller er blokeret.	Tilslut eller rengør aftræksslangen til varm luft.
	Den indstillede temperatur er for høj.	Nulstil temperaturen.
	Luftindtaget er blokeret.	Rengør luftindtaget.
Højt støjniveau	Underlaget er ikke jævnt eller er ikke tilstrækkeligt plant	Anbring apparatet på et jævnt, plant underlag, hvis det er muligt.
	Lyden stammer fra kølemidlet, som cirkulerer inde i klimaanlægget.	Det er helt normalt.
Brug nedenstående fejlfindingsoversigt, hvis der opstår problemer med klimaanlæg. Hvis nedenstående ikke løser problemet, skal du kontakte forhandleren for at få klimaanlægget serviceret.		

FEILKODER	ÅRSAG	AFHJÆLPNING
Koden E2	Rumtemperaturføleren fungerer ikke eller er beskadiget.	Udskift rumtemperaturføleren
Koden E3	Fordampertemperaturføleren fungerer ikke.	Udskift fordampertemperaturføleren.
Koden E4	Vandbeholder fuld	Tøm vandbeholderen.

Garanti

2 års forbrugergaranti mod produktionsfejl. Bemærk, at garantien kun er gyldig ved fremvisning af kvittering. Garantien gælder kun, hvis produktet anvendes i overensstemmelse med instruktionerne og sikkerhedsanvisningerne i denne manual. Garantien dækker ikke skader, som skyldes forkert håndtering af produktet.

BEMÆRK: Den 2-årige garanti gælder kun forbrugere og gælder ikke kommerciel brug af apparatet.



BEMÆRK!

Registrer dit produkt på www.warranty-woods.com, og læs om, hvordan du får udvidet garanti. Du kan få flere oplysninger på www.woods.se.


Anbefalede grænseværdier ved brug


Den optimale omgivelsestemperatur ved brug af kølefunktionen er 17-35 °C, og den optimale omgivelsestemperatur ved brug af varmfunktionen er 8-25 °C. Apparatet kan køre ved op til +43 °C. Sikring: $\varnothing 5,0 \times 20$ mm, 3,15 A, 250 VAC.

TEKNISKE DATA

	AC Milan 7K WIFI	AC Milan 9K WIFI	AC Como 12K WIFI
Kølekapacitet	2000 W	2600 W	3500 W
Strømforbrug	750 W	950 W	1250 W
Luftstrøm:	350 m ³ /t	350 m ³ /t	380 m ³ /t
Energiklasse	A	A	A
Affugtning	19 l/24 t	24 l/24 t	28,8 l/24 t
Temperaturindstilling	15-31 °C	15-31 °C	15-31 °C
Driftstemperatur	16-43 °C	16-43 °C	16-43 °C
Energieffektivitetsfaktor	2,6	2,6	2,6
Længde af afløbsslange	1,0 m	1,0 m	1,0 m
Slangediameter	10 mm	10 mm	10 mm
Kølemiddel	R290/100 g	R290/160 g	R290/220 g
Støjniveau i decibel	61dB	61dB	52 dB
Vægt	22 kg	24 kg	25 kg
Mål i mm, L x B x H	355x350x700	355x350x700	355x350x700

*Der kan ske tekniske ændringer og forbedringer. Alle værdier er omtrentlige og kan variere på grund af ydre omstændigheder såsom temperatur, ventilation og luftfugtighed.

 *Denne mærkning viser, at produktet ikke må bortskaffes sammen med almindeligt husholdningsaffald i EU. For at undgå eventuelle miljøskader eller sundhedsmæssige skader på grund af ukontrolleret bortskaffelse af affald skal produktet genvindes på forsvarlig vis. Dermed fremmes bæredygtig genbrug af materielle ressourcer. For at returnere apparatet til os skal du bruge returnerings- og indsamlingssystemerne eller kontakte den forhandler, hvor produktet blev købt. Forhandleren kan sørge for, at produktet genvindes på miljømæssigt forsvarlig vis.

 *Brugte batterier må ikke bortskaffes via husholdnings affald, da de kan indeholde giftige elementer og tungmetaller, der kan være skadelige for miljøet og menneskers sundhed. Indlever brugte batterier på en autoriseret genbrugsstation.

GERÄTE VON WOOD'S SORGEN FÜR SAUBERE UND GESUNDE RAUMLUFT.

Die Marke Wood's wurde von der Familie Wood vor über 70 Jahren in der kanadischen Stadt Guelph, Ontario, gegründet. Dort nahm Wood's 1950 die Entwicklung und Herstellung von Luftentfeuchtern auf. Seitdem hat Wood mehreren hunderttausend Haushalten geholfen, Schäden durch Schimmelfeuchtigkeit zu verhindern und sauberere Luft zu genießen. Unsere tragbaren Klimaanlage eignen sich für den Einsatz in den meisten Klimazonen, in denen die Leistung auch bei unterschiedlichen Temperaturen und Feuchtigkeitswerten gut ist. Die Geräte werden mit guten Ergebnissen in feuchten Räumen wie Wohnzimmern, Büros oder Schlafzimmern eingesetzt. Die Menge der vom Gerät beseitigten Warmluft hängt von Temperatur, Luftfeuchte und Standort ab. Auch externe Wetterbedingungen wirken sich auf die Trocknungsleistung aus.

Die Klimaanlage von Wood's sind betriebssicher und für einen langjährigen Dauerbetrieb ausgelegt.

WIE FUNKTIONIERT DIE KLIMAAANLAGE?

Niedriger Druck sorgt für kalte Luft. Das Hauptelement der Klimaanlage ist ein Kältemittel, das unter niedrigem Druck in Gas umgewandelt wird. Dieser Prozess „erzeugt Kälte“, die nach innen geleitet wird, während die warme Luft am Eindringen gehindert wird. Ein flüssiges Kältemittel wird über ein Expansionsventil in ein Rohr geleitet, in dem der Druck niedrig ist. Das Kältemittel verdunstet und verwandelt sich in ein Gas. Dieser Prozess absorbiert Wärme aus der Umgebung und das Rohr wird gekühlt. Ein Lüfter leitet die kalte Luft in den Raum. Das Gas wird durch einen Kompressor geleitet, der den Druck erhöht und das Gas in Flüssigkeit umwandelt. Dabei wird Wärme freigesetzt, die in Rohre auf der gegenüberliegenden Seite geleitet und von einem Lüfter verteilt wird. Ein Thermostat schaltet das Gerät ab, wenn die Raumluft kalt genug ist.

1. SICHERHEITSHINWEISE



Brennbares Material. Dieses Gerät enthält das brennbare Kältemittel Propan (R290).



Sicherheitshinweise sind diesem Handbuch zu entnehmen.



Das technische Handbuch



Die Bedienungsanleitung lesen.

SICHERHEITSHINWEISE

Lesen Sie vor der Installation und Nutzung des Geräts die Bedienungsanleitung. Bei Verletzungen oder Schäden aufgrund einer unsachgemäßen Installation übernimmt der Hersteller keine Haftung. Die Anleitung ist zusammen mit dem Gerät aufzubewahren, damit sie jederzeit zur Verfügung steht.

Schutz von Kindern und schutzbedürftigen Personen

WARNUNG

Verletzungsgefahr oder drohende Dauerinvalidität
Dieses Gerät kann von Kindern ab 8 Jahren und Personen mit eingeschränkten körperlichen, sensorischen oder geistigen Fähigkeiten oder mangelnden Erfahrungen und Kenntnissen benutzt werden, wenn sie in der sicheren

Kinder nicht mit dem Gerät spielen lassen!

Kinder unter 3 Jahren sind vom Gerät fernzuhalten, sofern sie nicht ständig beaufsichtigt werden. Sämtliches Verpackungsmaterial von Kindern fernhalten. Reinigung und Wartung dürfen nicht von unbeaufsichtigten Kindern durchgeführt werden.

Allgemeine Sicherheit

Dieses Gerät ist für den Einsatz in Haushaltsbereichen und ähnlichen Umfeldern vorgesehen, z. B.: Familienzimmer, Wohnzimmer, Küchenbereiche der Mitarbeiter in Geschäften, Büros und anderen Arbeitsbereichen. Das Typenschild befindet sich auf der Seite oder Rückseite der Klimaanlage. Lüftungsöffnungen dürfen nicht überdeckt werden.

Als Abtauhilfen dürfen keine mechanischen oder sonstigen Geräte, sondern ausschließlich die vom Hersteller empfohlenen Vorrichtungen verwendet werden. Das Gerät nicht in Räumen mit in Betrieb befindlichen Zündquellen (z. B. offene Flammen, Betriebsgasgeräte, elektrische Betriebsheizungen) lagern. Das Gerät nicht anstecken oder verbrennen. Kältemittel können geruchlos sein. Gerät nicht mit Wasserstrahl oder Dampf reinigen. Gerät mit einem feuchten, weichen Tuch reinigen. Nur neutrale Reinigungsmittel benutzen. Keine Scheuermittel, Lösungsmittel oder Metallgegenstände verwenden.

Bei einer Beschädigung des Netzkabels muss der Austausch aus Sicherheitsgründen durch den

SICHERHEITSHINWEISE

Installation

WARNUNG

Das Gerät darf nur von einer entsprechend qualifizierten Person installiert werden.

Die Verpackung ist restlos vom Gerät zu entfernen.

Ein beschädigtes Gerät darf weder installiert noch verwendet werden. Lagerung, Installation und Betrieb des Geräts sind nur in Räumen mit einer Mindestfläche von 4,2 m² (7k), 7,7m² (9k), 9,6m² (12k) zulässig. Die beiliegende Installationsanleitung ist zu befolgen.

Das Gerät ist schwer – Vorsicht beim Transport und beim Umstellen. Immer Schutzhandschuhe tragen. Kältemittel können geruchlos sein.

Darauf achten, dass die Luft ungehindert um das Gerät zirkulieren kann.

Vor dem Netzanschluss mindestens 4 Stunden mit aufrecht stehendem Gerät warten. In dieser Zeit kann das Öl zurück in den Kompressor fließen. Gerät nicht in der Nähe von Radiatoren und anderen Wärmequellen betreiben. Das Gerät nicht an einem Ort mit direkter Sonneneinstrahlung aufstellen.

Elektrischer Anschluss

WARNUNG

Brand- und Stromschlaggefahr
Das Gerät muss an eine geerdete Steckdose angeschlossen werden.

Darauf achten, dass die elektrischen Angaben auf dem Typenschild mit dem Netzanschluss übereinstimmen.

Sollte das nicht der Fall sein, ist eine Elektrofachkraft hinzuzuziehen.

Der Anschluss muss an eine sachgerecht installierte, VDE-zugelassene Steckdose erfolgen. Multistecker-Adapter und Verlängerungskabel sind unzulässig.

Darauf achten, dass die elektrischen Komponenten (z.B. Netzstecker, Netzkabel) nicht beschädigt werden.

Falls ein elektrisches Bauteil ausgetauscht werden muss, ein Autorisiertes Servicezentrum oder einen Elektriker beauftragen. Das Netzkabel muss durchgehend unterhalb der Steckdose verlegt werden. Das Gerät erst nach der Aufstellung am endgültigen Betriebsort an die Steckdose anschließen.

Der Netzstecker muss jederzeit zugänglich sein.

Zum Trennen der Stromversorgung nicht am Netzkabel ziehen. Immer direkt am Netzstecker und nicht am Kabel ziehen..

Betrieb

WARNUNG

Verletzungs-, Verbrennungs-, Stromschlag- und Brandgefahr!

Gerät nur innerhalb der angegebenen Spezifikationen betreiben und keine Veränderungen am Gerät vornehmen.

Darauf achten, dass der Kältemittelkreislauf nicht beschädigt wird. Der Kreislauf enthält das umweltverträgliche Erdgas Propan (R290). Es ist brennbar.

Sollte der Kältemittelkreislauf beschädigt werden, sofort sicherstellen, dass es im Raum weder offenes Feuer noch Zündquellen gibt. Den Raum lüften.

Keine brennbaren Produkte oder

Entsorgung

WARNUNG

Verletzungsgefahr!

Den Netzstecker des Geräts abziehen.

Netzkabel abschneiden und entsorgen.

Der Kältemittelkreislauf des Geräts ist ozonverträglich.

Die Vorgehensweise bei der umweltverträglichen Entsorgung des Geräts ist bei der zuständigen Behörde nachzufragen. Der Teil der Kühleinheit unmittelbar neben dem Wärmetauscher darf nicht beschädigt werden.

EINRICHTUNG DER KLIMAANLAGE ZUR INSTALLATION

2. Installation

VOR DEM ERSTEN EINSATZ

Vor der Wahl des Standorts das Gerät 2 Stunden aufrecht stehen lassen.

Wichtig

1. Diese Klimaanlage kann im Innenbereich beliebig bewegt werden. Das Gerät beim Standortwechsel in aufrechter Position halten. Die Klimaanlage ist auf einer ebenen Oberfläche aufzustellen. Diese Klimaanlage nicht in einem Badezimmer oder einem anderen Feuchtbereich installieren oder betreiben.

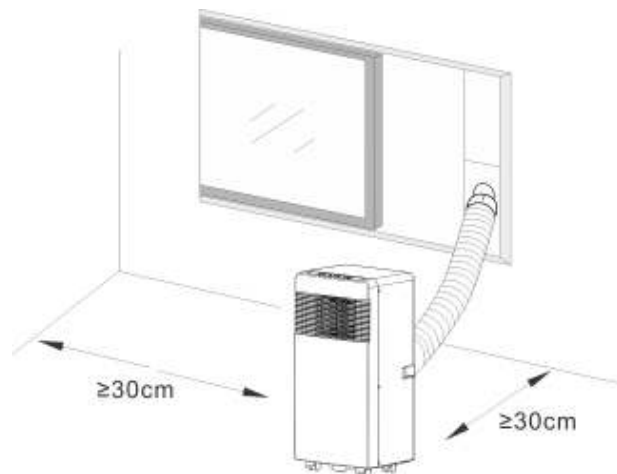
Da die tragbare Klimaanlage über Räder verfügt, ist ein Standortwechsel einfach. Wenn es heiß wird, ist die tragbare Klimaanlage einfach in den Raum zu bewegen, damit sie schnell mit der Kühlung des Raumes beginnen kann.

In geschlossenen Bereichen arbeitet die Klimaanlage am effektivsten. Alle Türen, Fenster und andere Öffnungen des Raums nach außen sind zu schließen. Die Wirksamkeit der Klimaanlage hängt von der Temperatur und Luftfeuchtigkeit ab.

2. Die Klimaanlage ist so anzuordnen, dass der Luftstrom durch die Vorderseite des Geräts nicht eingeschränkt wird.

3. Ein In einem Raum betriebener Luftentfeuchter hat nur geringe oder gar keine Wirkung bei der Trocknung eines angrenzenden geschlossenen Lagerbereichs, wie z. B. eines Schrankes, wenn keine ausreichende Luftzirkulation in den und aus dem Bereich vorhanden ist. Eine tragbare Klimaanlage leitet die Wärme aus dem Gerät über einen Lüftungsschlauch durch ein Fenster oder Abluftventil ab.

4. Zwischen der Klimaanlage und dem nächsten Gegenstand sollte ein Mindestabstand von 30 cm vorhanden sein. Siehe Beispiel in der Abbildung.



PRODUKTBE SCHREIBUNG

3. Produktbeschreibung

A

1. Luftabzugskanal
2. Anschluss des Luftabzugskanals
3. Fenster-Abzugsadapter
4. Fernbedienung
5. Leitblech
6. Wasserstopfen

B

1. Produkt Frontansicht














C

1. Bedienfeld
2. Kaltluftabzug
3. Signalempfänger
4. Fernbedienung
5. Transportgriff
6. Luftabzugschlauch
7. Luftversorgung Verdampfer
8. Primärer Abflussanschluss

D

1. Produkt-Draufsicht










E

1.  Taste Timer/Temperatur erhöhen
2.  Taste Timer/Temperatur senken
3.     Automatische Kühlung
Entfeuchtungs- und Lüfterbetrieb
4.  WIFI
5.  Schlaf- und Kindersicherungstaste
6.  Schwenkfunktion
7.  Timer-Schalter
8.  Betriebsartenschalter
9.  Drehzahlschalter
10.  Netzschalter
11.   Niedrige, hohe Lüfterdrehzahl
12.   Leistungsanzeige/Kindersicherung

F

1. Schematische Darstellung der Filtersiebreinigung

G

1.  SCHALTER
Stromversorgung Ein/Aus
2.  SCHALTER
Mit dieser Schaltfläche wird die
3. Betriebsart gewählt.
4.  SCHALTER
Auswahl der Lüfterdrehzahl in der Reihenfolge.
5.  und  STELLSCHALTER
zur Anpassung der Raumtemperatur und des Timers
6.  SCHALTER
Zur Festlegung oder zum Abbruch der  Betriebsart.
7.  SCHALTER
Zur Einstellung des automatischen AUS- und IN-Schaltzeitpunkts
8.  SCHALTER
Zur Einstellung des automatischen Schwenkbetriebs

H

1. Beide Enden des Abluftschlauchs in den Schlauchanschluss drehen.

I

1. Einführung in die Anbringung des Abluftschlauchs

J

1. Einführung in die Anbringung des Abluftschlauchs

K

1. Installation Fensterschieber-Bausatz

L

1. Ablaufschlauch anschließen

FUNKTION DER BETRIEBSARTEN UND INSTALLATIONSBESCHREIBUNG

A. Zubehör

Nach dem Auspacken ist zu überprüfen, ob das oben genannte Zubehör vorhanden ist. Ebenso ist der jeweilige Zweck in der Installationseinleitung dieses Handbuchs zu überprüfen.

B. Mobile Klimaanlage

J. Aussehen und Funktion der Fernbedienung.

Hinweis: Die Fernbedienung nicht fallen lassen. Die Fernbedienung nicht an einem Ort ablegen, der direkter Sonneneinstrahlung ausgesetzt ist.

M. Betriebseinführung

Vor der Betriebsaufnahme gemäß diesem Abschnitt:

- 1) Einen Standort auswählen, der sich in der Nähe einer Stromversorgung befindet.
- 2) Den Abluftschlauch anbringen und die Fensterposition gut einstellen.
- 3) Den Ablaufschlauch richtig anschließen (nur bei Verwendung des Heizmodells).
- 4) Das Netzkabel mit einer geerdeten Steckdose AC220-240V/50Hz verbinden.
- 5) Die Klimaanlage mit der POWER-Taste einschalten.

K&L. Einführung in die Anbringung des Abluftschlauchs

A) Vorübergehende Installation

1. Beide Enden des Abluftschlauchs in den Schlauchanschluss drehen.
2. Den quadratischen Befestigungsclip am Luftauslass auf der Rückseite der Klimaanlage anbringen.
3. Das andere Ende des Abluftschlauchs an die nahe gelegene Fensterbank verlegen.

N. Installation Fensterschieber-Bausatz

Die Installation des Fensterschieber-Bausatzes erfolgt meistens horizontal und vertikal. Die Mindest- und Höchstgröße des Fensters ist vor der Installation gemäß Abb. 5 und Abb. 5a zu überprüfen.

1. Den Fensterbausatz im Fenster einbauen.
2. Die Länge des Fensterschieber-

Bausatzes entsprechend der Fensterbreite oder -höhe anpassen und mit dem Dübel fixieren.

3. Den Fensteranschluss-Schlauch in die Bohrung des Fenster-Bausatzes stecken.

O. Alarm interner Wassertank voll

Der interne Wassertank in der Klimaanlage verfügt über einen Wasserstands-Sicherheitsschalter, der den Wasserpegel überwacht. Wenn der Wasserstand eine bestimmte Höhe erreicht, zeigt die aufleuchtende Anzeige an, dass der Wassertank voll ist. Der Fehlercode E4 wird auf dem Display angezeigt. Wenn die Wasserpumpe bei vollem Wassertank beschädigt ist, ist der Gummistopfen am Boden des Geräts zu entfernen, damit das gesamte Wasser nach außen abfließen kann.

Es ist sehr wichtig, dass der Filter regelmäßig gereinigt wird. Andernfalls könnte die Klimaanlage schwächer und sogar schwer

H. Wartungshinweise:

- 1) Vor der Reinigung sicherstellen, dass das Gerät von der Steckdose abgetrennt ist.
- 2) Das Gerät nicht mit Benzin oder anderen chemischen Mitteln reinigen.
- 3) Das Gerät nicht direkt waschen.
- 4) Wenn die Klimaanlage beschädigt ist, ist Kontakt zum Händler oder zur Werkstatt aufzunehmen.

1. Luftfilter

Wenn der Luftfilter mit Staub/Schmutz verstopft ist, sollte er alle zwei Wochen gereinigt werden. - Zerlegung
Das Luftzufuhrgitter öffnen und den Luftfilter abnehmen.

- Reinigung

Den Luftfilter mit einem neutralem Reinigungsmittel in lauwarmem Wasser (40 °C) reinigen und im Schatten trocknen lassen.

- Einbau

Den Luftfilter in das Zufuhrgitter einsetzen und die Bauteile wieder so anbringen, wie sie vorher waren.

2. Reinigung der Oberfläche der Klimaanlage

Zunächst die Oberfläche mit einem neutralen Reinigungsmittel und einem nassen Tuch reinigen und dann mit einem trockenen Tuch abwischen.

E. Vor der Verwendung

Überprüfen, ob der Abluftschlauch richtig angebracht wurde.

Vorsicht bei Kühl- und

Entfeuchtungsbetrieb: - Bei Verwendung der Kühl- und Entfeuchtungsfunktionen ist ein Intervall von mindestens 3 Minuten zwischen den einzelnen Einschaltungen einzuhalten.

- Die Stromversorgung muss die Anforderungen erfüllen.

- Die Steckdose liefert Wechselstrom.

- Die Steckdose nicht mit anderen Geräten teilen.

- Die Stromversorgung muss AC220-240 V, 50 Hz entsprechen.

1. Das Gerät einschalten.

a) Nach dem Anschluss piept das Gerät einmal. Die Betriebsanzeige leuchtet.

b) Nach Betätigung der Schaltfläche "⏻" ist das Gerät eingeschaltet.

c) Die LED zeigt die Raumtemperatur und den Automatikbetrieb an.

2. Kühlbetrieb

- Den Betriebsartenschalter betätigen, bis das Kühlsymbol erscheint.

- Mit den Tasten "+" oder "-" die

gewünschte Raumtemperatur einstellen. (15 °C - 31 °C)

- Die Lüftergeschwindigkeit mit der Taste einstellen.

3. Entfeuchtungsvorgang Die Taste

„Mode“ drücken, bis das Symbol für „Entfeuchtung“ angezeigt wird. - Die gewählte Temperatur wird automatisch auf die aktuelle Raumtemperatur minus 2 °C eingestellt.

FUNKTION DER BETRIEBSARTEN UND INSTALLATIONS BESCHREIBUNG

- Der Lüftermotor wird automatisch auf LOW eingestellt.

4. Lüfterbetrieb

- Die Mode-Taste drücken, bis das Lüftersymbol erscheint.
- Die Lüftergeschwindigkeit mit der Taste einstellen.

5. Heizungsbetrieb (diese Funktion ist bei einer reinen Kühlanlage nicht verfügbar)

- Die Taste „Mode“ betätigen, bis das Heiz-Symbol erscheint.

- Mit den Tasten „+“ oder „-“ die gewünschte Raumtemperatur einstellen. (15 °C - 31 °C)

- Die Lüftergeschwindigkeit mit der Taste einstellen.

6. ⏰ Timer-Betrieb

a) Die Taste „Timer“ zur Einstellung der automatischen Ausschaltzeit bei laufendem Gerät betätigen.

b) Die Taste „Timer“ zur Einstellung der automatischen Ausschaltzeit betätigen, wenn das Gerät betriebsbereit ist.

c) Die Zeit kann von einer bis 24 Stunden eingestellt werden. Die Schaltfläche (+) oder (-) jeweils einmal betätigen, um die Zeit um eine Stunde zu erhöhen oder zu verringern.

7. ⌚ Betrieb

a) Die ⌚ a) Die Einstellung wird wirksam, wenn sich das Gerät im Modus ⌚ befindet.

b) Die Schaltfläche ⌚ im ⌚ Modus, betätigen, dann funktioniert das Gerät im Standby-Zustand und der nach oben ausgerichtete Zentrifugallüfter wird automatisch auf niedrige Drehzahl umgeschaltet. Die eingestellte Temperatur steigt nach einer Stunde um 1 °C und erhöht sich nach zwei Stunden um 2 °C. Nach sechs Stunden stellt das Gerät seinen Betrieb ein.

8. ↻ Betrieb

a) Bei Betätigung des Schwenkschalters dreht sich der Lüfter automatisch auf- und abwärts. Bei erneuter Betätigung der Taste wird diese Funktion abgeschaltet.

Wartung

Das Gerät mit einem weichen feuchten Tuch reinigen. Keine Lösungsmittel oder starken Reinigungsmittel verwenden, da diese die Oberfläche des Geräts beschädigen könnten.

Service

Wenn die Klimaanlage gewartet werden muss, ist zunächst Kontakt zum Händler vor Ort aufzunehmen. Bei allen Gewährleistungsansprüchen ist ein Kaufbeleg vorzulegen.

Lageranweisungen

Lagerung am Ende der Saison

1) Die Abflussabdeckung abschrauben und den Stopfen herausziehen, damit das Kondenswasser vollständig abfließen kann.

2) Das Gerät einen halben Tag lang im Lüftermodus laufen lassen, damit es innen vollständig trocknet und Schimmel verhindert wird.

3) Das Gerät ausschalten, den Stecker abziehen und dann das Netzkabel um die Kabelsäule wickeln. Den Stecker in die universelle Befestigungsbohrung auf der Rückseite des Geräts stecken sowie den Stopfen und die Abflussabdeckung anbringen.

4) Die Baugruppe mit dem Wärmeabluftschlauch ausbauen, reinigen und ordnungsgemäß aufbewahren.

Hinweis:

Die Abluftschlauchbaugruppe beim Ausbau mit beiden Händen ergreifen. Die Halterungen am Abluftausgang mit den Daumen zur Seite schieben und dann die Abzugschlauchbaugruppe herausziehen.

5) Die Klimaanlage ordnungsgemäß in einem weichen Plastikbeutel verstauen

und mit angemessenen staubdichten Vorkehrungen an einem trockenen Ort unerreichbar für Kinder aufbewahren.

6) Die Batterien aus der Fernbedienung nehmen und ordnungsgemäß aufbewahren.

Hinweis:

Sicherstellen, dass das Gerät an einem trockenen Ort gelagert wird.

Alle Zubehörteile des Geräts sind ordnungsgemäß zusammen zu schützen. Netzkabelhalter und Universalsteckdose können das Netzkabel gut schützen. Hohe Position der Abluftausgangs, einfache Montage und schnelle Entlüftung.

Intelligente, umweltfreundliche und energiesparende Konstruktion mit einer Kühlanlage, die selbst für die Verdunstung sorgt.

24-Stunden-Timer, einzigartige Ein/Aus-Erinnerung mit Musik.

Als Neustartschutz für den Kompressor gibt es eine dreiminütige Verzögerung sowie andere Mehrfachschutzfunktionen.

WLAN-Funktion

1. Die APP herunterladen und installieren.

Die Woods Connect App aus dem App Store oder bei Google Play herunterladen.

1. Registrieren/Anmelden/Passwort vergessen

Registrierung

Wenn Sie kein App-Konto haben, können Sie ein Konto einrichten oder sich mit dem per SMS erhaltenen Bestätigungscode anmelden. Auf dieser Seite wird der Registrierungsablauf beschrieben.

1. Zum Aufruf der Registrierungsseite anklicken.
2. Das System erkennt Ihr Land/Gebiet automatisch. Sie können auch Ihr Länderkürzel auswählen. Die Handynummer/E-Mail-Adresse eingeben und „Weiter“ anklicken.
3. Bei Verwendung der Mobiltelefonnummer ist der Bestätigungscode in die Nachricht einzugeben und die Registrierung nach Eingabe des Passwortes mit „Bestätigen“ abzuschließen.
4. Bei Verwendung der E-Mail ist das Passwort einzugeben und die Registrierung nach Eingabe des Passwortes mit „Bestätigen“ abzuschließen.

2. Melden Sie sich mit Ihrem Benutzernamen und Passwort oder dem per SMS erhaltenen Bestätigungscode an.

Anmeldung mit Benutzername und Passwort

1. Das System erkennt Ihr Land/Gebiet automatisch. Sie können auch Ihr Länderkürzel auswählen. Die Handynummer/E-Mail-Adresse eingeben und „Weiter“ anklicken.
2. Zur Anmeldung die registrierte Handynummer oder E-Mail-Adresse und das Passwort eingeben.

Anmeldung mit Bestätigungscode

1. Zum Wechsel auf eine neue Seite ist „Anmeldung mit SMS-Bestätigung“ anzuklicken.
2. Das System erkennt Ihr Land/Gebiet automatisch. Man kann sein Länderkürzel auch selber auswählen.

Passwort vergessen

Wenn Sie Ihr Passwort vergessen haben, ist wie folgt vorzugehen:

1. „Passwort vergessen“ anklicken.
2. Das System erkennt automatisch Ihr Land/Gebiet automatisch. Sie können Ihr Länderkürzel auch selbst auswählen. Die Handynummer/E-Mail-Adresse eingeben und „Weiter“ anklicken.
3. Den Bestätigungscode in die Nachricht/E-Mail sowie das neue Passwort eingeben und den Vorgang mit „Bestätigen“ abschließen.

WiFi Woods Connect unterstützt folgende Funktionen:

Ein-/Ausschalten
Kühlbetrieb
Entfeuchtungsbetrieb
Lüfterbetrieb
Spar-Modus
Temperatureinstellungen
Drehzahl: Niedrig, mittel und hoch
Timer: 1 bis 24 Stunden
Pause: Ein/Aus
Automatische Reinigung: Ein/Aus
Celsius/Fahrenheit
Schwenkfunktion: Ein/Aus

3. Den in der APP vorgegebenen Ablauf einhalten, wenn WLAN genutzt werden soll.

Smart Home

Wenn Sie ein Smart Home Produkt haben, sind die Schritt 1 bis 3 zu befolgen.

Zugriffsdienst von Drittanbietern:
Wenn Sie das Sprachdienstsymbol eines Drittanbieters anklicken, erfahren Sie, wie Sie eine Verbindung zu dem Dienstleister herstellen. Diese Symbole stehen zur Verfügung:

Smart Home Woods Connect unterstützt die nachstehenden Funktionen per Sprachbefehl:

Ein-/Ausschalten
Temperatureinstellungen
Betriebsart
Fan-Modi

Weitere Informationen finden Sie unter:

<https://woods.se/en/>

PROBLEM	URSACHE	BEHEBUNG
Das Gerät startet nicht bei Betätigung des Ein/Ausschalters.	Nicht angeschlossen oder Stecker oder Steckdose beschädigt	Anschluss zur Steckdose herstellen oder Steckdose oder Netzkabel ersetzen.
	Sicherung defekt	Die Sicherung (3.15A/250AC) ersetzen.
	Die Raumtemperatur ist niedriger als die Solltemperatur. (Kühlbetrieb)	Die Temperatur zurücksetzen.
Nicht kühl genug.	Die Türen oder Fenster sind nicht geschlossen.	Sicherstellen, dass alle Fenster und Türen geschlossen sind.
	Im Raum sind Wärmequellen vorhanden.	Die Wärmequellen möglichst entfernen.
	Der Abluftschlauch ist nicht angeschlossen oder verstopft.	Den Abluftschlauch anschließen oder reinigen.
	Die Temperatureinstellung ist zu hoch.	Die Temperatur zurücksetzen.
	Der Lufteinlass ist verstopft.	Den Lufteinlass reinigen.
Hoher Geräuschpegel	Der Boden ist nicht eben oder nicht flach genug.	Das Gerät nach Möglichkeit auf einen flachen, ebenen Boden stellen.
	Das Geräusch stammt vom Umlauf des Kältemittels in der Klimaanlage.	Das ist normal.
Probleme mit dem Luftentfeuchter sind in der Fehlerbehebung weiter unten Klimaanlage.. Wenn keine der nachstehend aufgeführten Maßnahmen den gewünschten Erfolg bringt, ist der Händler um Wartung der Klimaanlage zu bitten.		

FEHLERCODES	URSACHE	BEHEBUNG
Code E2	Ausfall oder Beschädigung des Raumtemperatursensors	Den Raumtemperatursensor austauschen.
Code E3	Ausfall Verdampfertemperatursensor	Den Verdampfertemperatursensor ersetzen.
Code E4	Wassertank voll	Wassertank entleeren.

Garantien

2 Jahre Verbrauchergarantie auf Produktionsfehler. Es ist zu beachten, dass die Garantie nur bei Vorlage der Quittung gilt. Die Garantie gilt nur, wenn das Produkt in Übereinstimmung mit den Anweisungen und Sicherheitshinweisen in diesem Handbuch verwendet wird. Die Garantie deckt keine Schäden ab, die durch unsachgemäße Handhabung des Produkts verursacht werden.

HINWEIS: Die zweijährige Garantie gilt nur für Endverbraucher und nicht bei gewerblicher Nutzung des Geräts.



HINWEIS:

Registrieren Sie sich bei www.warranty-woods.com. Dort erfahren Sie, wie Sie eine erweiterte Garantie erhalten. Weitere Informationen finden Sie unter www.woods.se/de.

Empfohlene Betriebsgrenzwerte

Die beste Umgebungstemperatur für den Kühlbetrieb beträgt 17 bis 35 °C, während die optimale Umgebungstemperatur für die Heizfunktion bei 8 bis 25 °C liegt. Das Gerät arbeitet bis +43 °C. Sicherungsparameter: $\phi 5,0 \times 20 \text{ mm } 3,15$

TECHNISCHE DATEN

	AC Milan 7K WIFI	AC Milan 9K WIFI	AC Como 12K WIFI
Kühlleistung	2000 W	2600 W	3500 W
Stromverbrauch	750 W	950 W	1250 W
Umluftleistung:	350 m ³ /h	350 m ³ /h	380 m ³ /h
Energieklasse	A	A	A
Entfeuchtung	19 Liter in 24 Stunden	24 L in 24 Stunden	28,8 Liter in 24 Stunden
Temperatureinstellung	15-31 °C	15-31 °C	15-31 °C
Betriebstemperatur	16-43 °C	16-43 °C	16-43 °C
EER	2,6	2,6	2,6
Länge des Ablaufschlauchs	1,0 m	1,0 m	1,0 m
Durchmesser Schlauchlänge	10 mm	10 mm	10 mm
Kältemittel	R290/100g	R290/160g	R290/220g
Geräuschpegel in Dezibel	61dB	61dB	52 dB
Gewicht	22 kg	24 kg	25 kg
Abmessungen in mm, L x B x H	355x350x700	355x350x700	355x350x700

*Technische Änderungen und Verbesserungen vorbehalten. Alle Angaben sind Richtwerte. Die tatsächlichen Werte können aufgrund von äußeren Einflüssen wie Temperatur, Belüftung und Luftfeuchtigkeit abweichen.



* Mit dieser Kennzeichnung darf das Gerät in der ganzen EU nicht mit dem normalen Haushaltsabfall entsorgt werden. Zur Verhinderung von Umweltschäden und Auswirkungen auf die menschliche Gesundheit durch unverantwortliche Abfallentsorgung ist das Produkt getrennt vom normalen Abfall zu entsorgen und einem sinnvollen Recycling zur nachhaltigen Wiederverwendung der Ressourcen zuzuführen. Es dient auch dem Recycling aller wiederverwendbaren Teile. Wenden Sie sich als Verbraucher an Ihren Händler oder die örtlichen Behörden (Kommunalverwaltung, Bürgermeister usw.), um Einzelheiten zu Entsorgung/Recycling Ihres Altgerätes zu erhalten.



*Gebrauchte Batterien dürfen nicht im Hausabfall entsorgt werden, weil sie giftige Bestandteile und Schwermetalle enthalten können, die umweltschädlich und gesundheitsschädlich sein können. Geben Sie leere Batterien an eine geeignete Recycling-Einrichtung.

WOOD'S POUR UN AIR INTÉRIEUR PROPRE ET SAIN

La marque Wood's a vu le jour grâce à la famille Wood's il y a plus de 70 ans dans la ville canadienne de Guelph, dans l'Ontario. C'est là que Wood's a commencé à développer et à fabriquer des déshumidificateurs en 1950. Depuis, Wood's a aidé plusieurs centaines de milliers de foyers à empêcher les dommages provoqués par l'humidité et la moisissure et à respirer un air plus propre. Nos climatiseurs portatifs conviennent à une utilisation dans la plupart des climats, où la capacité est bonne même à différents niveaux de températures et d'humidité. Nos déshumidificateurs obtiennent de très bons résultats dans des lieux chauds, comme les pièces de vie, les bureaux ou les chambres. La quantité d'air chaud retirée par le climatiseur dépend de la température, du niveau d'humidité et du lieu d'installation. Les conditions météorologiques extérieures peuvent également affecter les performances de votre climatiseur.

Les climatiseurs de Wood's sont sûrs et ont été conçus pour une utilisation continue pendant de nombreuses années.

COMMENT FONCTIONNE L'UNITÉ DE CLIMATISATION?

La pression basse produit de l'air froid. L'élément principal du climatiseur est un réfrigérant, qui est converti en gaz à basse pression. Le processus « crée du froid », qui est transmis vers l'intérieur, tout en maintenant l'air chaud à l'extérieur.

Un réfrigérant liquide traverse une vanne d'expansion et s'écoule dans un tuyau où la pression est basse.

Le réfrigérant s'évapore et se transforme en gaz. Le processus absorbe la chaleur environnante et le tuyau est refroidi. Un ventilateur souffle l'air froid dans la pièce. Le gaz traverse un compresseur, qui augmente la pression et convertit le gaz en liquide.

Lors de ce processus, la chaleur est libérée, qui est conduit aux tuyaux sur le côté opposé et soufflée par un ventilateur.

Un thermostat éteint l'unité lorsque l'air

1. AVERTISSEMENTS DE SÉCURITÉ



Matériau inflammable. Cet appareil contient du R290/ Propane, un réfrigérant inflammable.



Consultez ce manuel pour les informations de sécurité.



Lire le manuel technique



Lire le manuel de l'opérateur.

INFORMATIONS DE SÉCURITÉ

Avant l'installation et l'utilisation de l'appareil, lire attentivement les instructions fournies. Le fabricant n'est pas responsable en cas de blessures ou de dommages découlant d'une mauvaise installation et une utilisation incorrecte. Toujours conserver les instructions avec l'appareil pour s'y reporter ultérieurement.

Sécurité des enfants et des personnes vulnérables



AVERTISSEMENT Risque de blessure ou d'invalidité permanente.

Cet appareil peut être utilisé par des enfants à partir de 8 ans et des personnes ayant des capacités physiques, sensorielles ou mentales réduites, ou un manque d'expérience et de connaissances, sous surveillance ou à condition

d'avoir reçu ou des instructions concernant l'utilisation de l'appareil de manière sûre et d'avoir compris les dangers impliqués.

Ne pas laisser les enfants jouer avec l'appareil.

Les enfants de moins de 3 ans doivent être tenus à l'écart, à moins d'être surveillés en permanence. Tenir tous les emballages éloignés des enfants.

Le nettoyage et l'entretien ne doivent pas être effectués par des enfants sans surveillance.

Sécurité générale

Cet appareil est destiné à être utilisé dans les applications domestiques et similaires, telles que : Pièce familiale, salon, cuisine du personnel dans les magasins, bureaux et autres environnements de travail. La plaque signalétique est située sur le côté ou l'arrière du climatiseur.

Maintenir les ouvertures de ventilation dégagées.

Ne pas utiliser de dispositifs mécaniques ou d'autres moyens pour accélérer le processus de dégivrage, autres que ceux recommandés par le fabricant. L'appareil ne doit pas être entreposé dans une pièce avec des sources inflammables opérationnelles (par exemple, des flammes nues, un appareil à gaz ou un radiateur électrique). Ne pas percer ni brûler.

Tenez compte du fait que les réfrigérants sont inodores. Ne pas utiliser de pulvérisation d'eau ni de vapeur pour nettoyer l'appareil.

Nettoyer l'appareil à l'aide d'un chiffon doux humide. Utiliser uniquement des détergents neutres. Ne pas utiliser de produits abrasifs, de tissus de nettoyage abrasifs, de solvants ou d'objets métalliques.

Si le cordon d'alimentation est endommagé, il doit être remplacé par le fabricant, son centre de service agréé ou des personnes qualifiées du

CONSIGNES DE SÉCURITÉ

Installation

AVERTISSEMENT

Cet appareil ne doit être installé que par une personne qualifiée. Enlever tout l'emballage.

Ne pas installer ni utiliser un appareil endommagé. L'appareil doit être installé, utilisé et entreposé dans une pièce d'une surface de plancher supérieure à 4,2 m² (7k), 7,7 m² (9k), 9,6 m² (12k). Respecter les instructions d'installation fournies avec l'appareil.

Toujours déplacer l'appareil avec précaution car il est lourd. Toujours porter des gants de sécurité. Tenez compte du fait que les réfrigérants sont inodores.

Veillez à ce que l'air puisse circuler autour de l'appareil.

Attendre au moins 4 heures avant de brancher l'appareil à l'alimentation, afin de permettre à l'huile de revenir dans le compresseur. Ne pas installer l'appareil à proximité de radiateurs ou d'autres sources de chaleur. Ne pas installer l'appareil exposé à lumière directe du soleil.

Danger électrique

AVERTISSEMENT

Risque d'incendie et de choc électrique.

L'appareil doit être raccordé à une prise de terre.

Vérifier que les informations électriques de la plaque signalétique correspondent à l'alimentation électrique. Si ce n'est pas le cas, contactez un électricien. Toujours utiliser une prise antichoc correctement installée.

Ne pas utiliser d'adaptateurs multi-fiches ni de rallonges.

Veiller à ne pas endommager les composants électriques (p. ex. fiche secteur, câble secteur).

Contactez le centre de service agréé ou un électricien pour changer les composants électriques. Le câble secteur doit rester sous le niveau de la fiche secteur. Brancher la fiche secteur à la prise secteur uniquement à la fin de l'installation.

Veiller à ce qu'il soit possible d'accéder à la prise de courant après l'installation.

Ne pas tirer sur le câble secteur pour débrancher l'appareil. Toujours tirer sur la prise secteur.

Utilisation

AVERTISSEMENT

Risque de blessures, de brûlures, de chocs électriques ou d'incendie. Ne pas changer la spécification de cet appareil.

Veiller à ne pas endommager le circuit de réfrigérant. Il contient

du propane (R290), un gaz naturel ayant un niveau élevé de compatibilité environnementale. Ce gaz est inflammable.

Si le circuit de réfrigérant est endommagé, vérifier qu'il n'y a pas de flammes ni de sources d'inflammation dans la pièce. Ventiler la pièce.

Ne pas placer de produits inflammables ou d'objets imbibés de produits inflammables près de l'appareil ou dessus.

Mise au rebut

AVERTISSEMENT

Risque de blessure.

Débrancher l'appareil de l'alimentation secteur.

Couper le câble secteur et le mettre au rebut.

Le circuit de réfrigérant de cet appareil est sans danger pour la couche d'ozone. Contacter l'autorité municipale pour savoir comment mettre correctement l'appareil au rebut.

Ne pas endommager la partie de l'unité de réfrigération qui se trouve près de l'échangeur de chaleur.

RÉGLAGE DU CLIMATISEUR POUR INSTALLATION

2. Installation

AVANT LA PREMIÈRE UTILISATION

Laissez la machine en position droite pendant 2 heures avant de choisir un emplacement

Important

1. Ce climatiseur peut être déplacé à l'intérieur de manière commode ; maintenez l'unité droite lors de son déplacement. Le climatiseur sera placé sur une surface plate.

Ne pas installer ou faire fonctionner ce climatiseur dans une salle de bain ou un autre environnement humide.

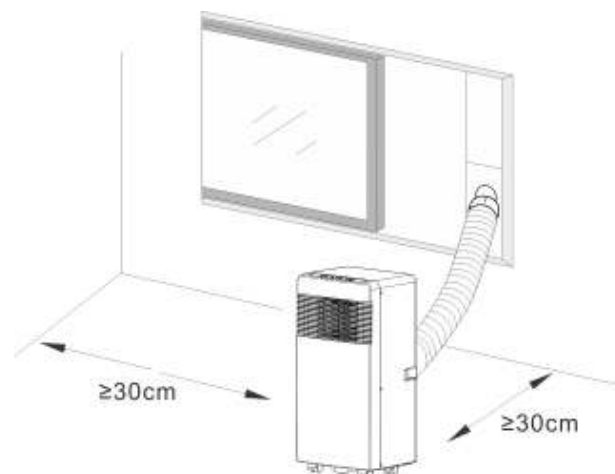
Étant donné que le climatiseur est sur roues, il est aisé de le changer de place. Lorsque la chaleur augmente, il suffit de déplacer votre climatiseur portable dans la pièce pour refroidir rapidement l'espace.

Le climatiseur doit être utilisé dans une zone fermée pour garantir une efficacité optimale. Fermez toutes les portes, fenêtres et autres ouvertures de la pièce. L'efficacité du climatiseur dépend de la température et du niveau d'humidité.

2. Placez le climatiseur dans un endroit qui ne bloque pas la circulation d'air à travers la partie avant de l'unité.

3. Un climatiseur fonctionnant dans une pièce aura peu ou pas d'effet sur le séchage d'une zone de rangement fermée adjacente comme une armoire, à moins qu'il n'y ait une circulation d'air adéquate dans et hors de la zone. Un climatiseur portable évacue la chaleur de l'unité avec un tuyau de ventilation à travers une fenêtre ou une soupape d'air d'échappement.

4. Il faut prévoir 30 cm de distance entre le climatiseur et l'objet le plus proche. Voir l'image à titre de référence.



DESCRIPTION DU PRODUIT

3. Description du produit

- | | | |
|--|---|---|
| <p>A</p> <ol style="list-style-type: none"> 1. Conduit d'échappement d'air 2. Connecteur du conduit d'échappement d'air 3. Adaptateur d'échappement pour fenêtre 4. Télécommande 5. Déфлекteur 6. Prise d'eau <p>B</p> <ol style="list-style-type: none"> 1. Vue avant du produit <p>C</p> <ol style="list-style-type: none"> 1. Panneau de commande 2. Sortie d'air froid 3. Récepteur de signal 4. Télécommande 5. Poignée de transport 6. Tuyau de sortie d'air 7. Admission d'air de l'évaporateur 8. Port de drainage principal <p>D</p> <ol style="list-style-type: none"> 1. Vue aérienne du produit <p>E</p> <ol style="list-style-type: none"> 1. Bouton de minuterie/d'augmentation de la température 2. Bouton de minuterie/de réduction de la température 3. Refroidissement automatique Mode de déshumidification et ventilateur 4. WIFI 5. Bouton du mode sommeil et de verrouillage de sécurité pour enfant 6. Oscillation 7. Bouton de minuterie 8. Bouton de sélection des modes 9. Bouton de vitesse 10. Bouton de mise sous tension 11. Vitesse haute ou basse du ventilateur 12. Voyant d'alimentation / Verrouillage de | <p>F</p> <ol style="list-style-type: none"> 1. Diagramme schématique du nettoyage de la crépine <p>G</p> <ol style="list-style-type: none"> 1. BOUTON Marche/Arrêt 2. BOUTON Appuyez sur ce bouton pour sélectionner ce mode de fonctionnement. 3. BOUTON Utilisé pour sélectionner la vitesse du ventilateur dans l'ordre. 4. et BOUTONS DE RÉGLAGE Utilisés pour régler la température et la 5. minuterie. 6. BOUTON Utilisé pour définir ou annuler le fonctionnement de ce mode. 7. BOUTON Utilisé pour définir l'Arrêt et la Marche automatique à l'heure sélectionnée. 7. BOUTON Utilisé pour régler l'oscillation automatique. | <p>H</p> <ol style="list-style-type: none"> 1. Fixez les deux extrémités du tuyau d'échappement dans le connecteur de tuyau. <p>I</p> <ol style="list-style-type: none"> 1. Introduction à l'installation du tuyau d'échappement <p>J</p> <ol style="list-style-type: none"> 1. Einführung in die Anbringung des Abluftschlauchs <p>K</p> <ol style="list-style-type: none"> 1. Installation du kit fenêtre coulissant <p>L</p> <ol style="list-style-type: none"> 1. Connexion du tuyau de vidange |
|--|---|---|

FONCTION DES MODES DE FONCTIONNEMENT ET DESCRIPTIONS D'INSTALLATION

A. Accessoires

Après le déballage, vérifiez que les accessoires mentionnés ci-dessus sont inclus et vérifiez leur fonction dans l'introduction à l'installation dans ce manuel.

B. Climatiseur portatif

J. Apparence et fonctions de la télécommande.

Remarques : - Ne faites pas tomber la télécommande. Ne placez pas la télécommande à un endroit directement exposé aux rayons du soleil.

A. Introduction à l'utilisation

Avant de commencer les opérations décrites dans cette section :

- 1) Trouvez un endroit à proximité d'une alimentation électrique.
- 2) Installez le tuyau d'échappement et réglez soigneusement la position de la fenêtre.
- 3) Connectez le tuyau de vidange (uniquement pour l'utilisation du modèle avec chauffage).
- 4) Branchez le cordon d'alimentation à une prise CA 220~240 V/50 Hz mise à la terre.
- 5) Appuyez sur le bouton POWER pour mettre le climatiseur en marche.

K&L. Introduction à l'installation du tuyau d'échappement

M) Installation provisoire

1. Fixez les deux extrémités du tuyau d'échappement dans le connecteur de tuyau.
2. Insérez la pince de fixation carrée dans la sortie d'air à l'arrière du climatiseur.
3. Placez l'autre extrémité du tuyau d'échappement sur l'appui de fenêtre proche.

N. Installation du kit fenêtre coulissant

Le kit fenêtre coulissant s'installe dans la plupart des cas à l'horizontale ou à la verticale. Comme montré sur les figures 5 et 5a, vérifiez les dimensions min. et max. de la fenêtre avant l'installation.

1. Installez le kit fenêtre sur la fenêtre.
2. Ajustez la longueur du kit fenêtre coulissant en fonction de la largeur ou hauteur de la fenêtre et fixez-le à l'aide du goujon.
3. Insérez le tuyau du connecteur de fenêtre dans le trou du kit fenêtre.

O. Fonction Alarme de réservoir d'eau interne plein

Le réservoir d'eau interne du climatiseur est équipé de contacteurs de niveau de sécurité pour contrôler le niveau d'eau. Lorsque l'eau atteint un niveau prévu, le voyant indicateur de plein d'eau s'allume. Le code d'erreur « E4 » s'affichera à l'écran. (Si la pompe à eau est endommagée, lorsque le réservoir d'eau est plein, retirez le bouchon en caoutchouc au fond de l'unité pour vidanger toute l'eau.)

Il est très important de nettoyer régulièrement le filtre ; sinon le climatiseur pourrait perdre de sa capacité et même être sérieusement endommagé.

H. Explications concernant l'entretien :

- 1) Avant le nettoyage, assurez-vous de débrancher l'unité de la prise d'alimentation électrique.
- 2) N'utilisez pas d'essence ou d'autres produits chimiques pour nettoyer l'unité.
- 3) Ne lavez pas l'unité directement.
- 4) Si le climatiseur est endommagé, veuillez contacter le revendeur ou l'atelier de réparation.

1. Filtre à air

-Si le filtre à air est colmaté par de la poussière/saleté, il doit être nettoyé toutes les deux semaines. -Démontage
Ouvrez la grille d'entrée d'air et déposez le filtre.

-Nettoyage

Nettoyez le filtre à air avec un détergent neutre dans de l'eau tiède (40 °C) et laissez-le sécher à l'ombre.

-Montage

Placez le filtre à air dans la grille d'entrée et

remplacez les composants dans leur position d'origine.

2. Nettoyez le climatiseur. Commencez par nettoyer la surface avec un détergent neutre et un chiffon humide, puis essuyez-la avec un chiffon sec.

E. Avant l'utilisation

Vérifiez que le tuyau d'échappement a été monté correctement.

Mises en garde pour les opérations de refroidissement et de déshumidification : -Lorsque vous utilisez des fonctions de refroidissement et de déshumidification, gardez un intervalle d'au moins 3 minutes entre chaque PUISSANCE.

-L'alimentation électrique correspond aux exigences.


-La prise est destinée à une utilisation CA.

-Ne partagez pas la même prise avec d'autres appareils.

-L'alimentation électrique est CA 220-240 V, 50 Hz

1. Allumez l'unité.

a) Branchez-le : l'unité émettra un seul bip « » Le voyant d'alimentation est allumé.

b) Appuyez sur le bouton «  » pour allumer l'appareil.

c) La DEL affiche la température ambiante en mode automatique.

2. Opération de refroidissement

-Appuyez sur le bouton « Mode » jusqu'à ce que l'icône « Refroidissement » apparaisse.

-Appuyez sur le bouton « + » ou « - » pour sélectionner une température ambiante souhaitée. (15 °C -31 °C)

3. Opération de déshumidification

Appuyez sur le bouton « Mode » jusqu'à ce que l'icône « Déshumidifier » apparaisse.

-Réglez automatiquement la température sélectionnée à 2 degrés de moins que la température ambiante.

-Réglez automatiquement le moteur du ventilateur sur la vitesse BASSE.

4. Fonctionnement du ventilateur

-Appuyez sur le bouton « Mode » jusqu'à ce que l'icône « Ventilateur » apparaisse.

-Appuyez sur le bouton « Fan Speed » pour

FONCTION DES MODES DE FONCTIONNEMENT ET DESCRIPTIONS D'INSTALLATION

sélectionner la vitesse du ventilateur.

5. Fonctionnement du chauffage (cette fonction n'est pas disponible pour un climatiseur uniquement à froid) - Appuyez sur le bouton « Mode » jusqu'à ce que

6. ☺ Utilisation de la minuterie

a) Appuyez sur le bouton « Minuterie » pour définir l'heure à laquelle l'unité s'éteindra automatiquement.

b) Appuyez sur le bouton « Minuterie » pour définir l'heure à laquelle l'unité s'éteindra automatiquement lorsque l'unité est prête.

c) L'heure peut être réglée dans une plage allant de 1 heure à 24 heures. Appuyez sur le bouton d'augmentation

(+) ou diminution (-) de la température pour augmenter ou diminuer l'heure par intervalle de 1 heure en appuyant une fois.

7. ☺ Fonctionnement

a) L'unité fonctionnera lorsqu'elle est définie sur le mode ☼.

b) Appuyez sur le bouton ☺ en mode ☼ pour faire fonctionner l'appareil en mode veille et le ventilateur centrifuge supérieur tournera automatiquement à une vitesse réduite. La température réglée augmentera de 1 °C au bout d'une heure et augmentera de 2 °C au bout de deux heures. Après six heures, l'appareil arrêtera de fonctionner.

8. ⤴ Fonctionnement

a) lorsque le bouton d'oscillation est activé, la pale oscillante se balancera automatiquement de haut en bas. Si vous voulez arrêter l'oscillation de la pale, appuyez à nouveau sur ce bouton.

Entretien

Nettoyez l'unité à l'aide d'un chiffon doux humide. N'utilisez pas de solvants ou des produits de nettoyage abrasifs car cela pourrait endommager l'unité.

Révision

Si le climatiseur nécessite un entretien, vous devez d'abord contacter votre revendeur local. Une preuve d'achat vous sera demandée pour toute réclamation sous garantie.

Instructions de stockage

Stockage en fin de saison

1) Dévissez le couvercle de vidange et retirez le bouchon pour vidanger complètement l'eau de condensation.

2) Faites marcher l'unité en mode ventilateur pendant une demi-journée pour sécher complètement l'intérieur de l'unité et l'empêcher de moisir.

3) Éteignez l'unité, retirez le bouchon, puis enroulez le cordon d'alimentation autour de la colonne de bobinage de fil. Insérez le bouchon dans le trou de fixation universel sur le panneau arrière de l'appareil et mettez en place le bouchon d'eau et le couvercle de vidange.

4) Retirez l'ensemble du tuyau d'échappement de chaleur, nettoyez-le et conservez-le en lieu sûr.

Remarques :

Tenez l'ensemble du tuyau d'échappement à deux mains lors du retrait.

Poussez les fixations de côté sur la sortie d'air d'échappement avec les pouces, puis sortez l'ensemble du tuyau d'échappement.

5) Emballez correctement le climatiseur dans un sac en plastique souple et mettez-le dans un endroit sec en assurant que la poussière ne puisse pas pénétrer dans l'unité. Tenez hors de portée des enfants.

6) Retirez les piles de la télécommande et conservez cette dernière en lieu sûr.

Remarque :

Assurez-vous que l'unité est stockée dans un lieu sec.

Tous les accessoires de l'unité seront

protégés ensemble correctement.

Le support de cordon d'alimentation et la prise universelle fournissent une bonne protection au cordon d'alimentation. Position élevée de la sortie d'air d'échappement, montage simple et ventilation rapide.

Intelligent, respectueux de l'environnement et économe en énergie avec système de refroidissement auto-évaporateur.

Fonction de minuterie de 24 heures, musique de rappel on/off unique.

Délai de 3 minutes pour protection de redémarrage vers le compresseur et autres fonctions de protection multiples.

Fonction WiFi

1. Téléchargez et installez l'APP

Téléchargez l'application Woods Connect dans l'App Store ou dans Google Play

1. S'inscrire/Se connecter/Mot de passe oublié

S'inscrire

Si vous n'avez pas de compte pour l'application, créez-en un ou inscrivez-vous avec le code de vérification par SMS.

Cette page décrit le processus d'inscription.

1. Tapez pour accéder à la page d'inscription
2. Le système reconnaît votre pays / zone automatiquement. Vous pouvez également sélectionner votre code pays. Saisissez le numéro de mobile/e-mail et appuyez sur « Suivant ».
3. Si vous saisissez le numéro de mobile, saisissez ensuite le code de vérification dans le message et saisissez le mot de passe, puis appuyez sur « Confirmez » pour terminer votre inscription.
4. Si vous saisissez l'e-mail, saisissez ensuite le mot de passe et appuyez sur « Confirmez » pour terminer votre inscription.

2. Connectez-vous avec votre nom d'utilisateur et votre mot de passe ou votre code de vérification via SMS

Connectez-vous avec votre nom d'utilisateur et votre mot de passe.

1. Le système reconnaît votre pays / zone automatiquement. Vous pouvez également sélectionner votre code pays. Saisissez le numéro de mobile/e-mail et appuyez sur « Suivant ».
2. Saisissez votre numéro de mobile ou e-mail inscrit et votre mot de passe pour vous connecter.

Connectez-vous avec votre code de vérification

1. Touchez « Me connecter par vérification SMS » sur la nouvelle page
2. Le système reconnaît votre pays / zone automatiquement. Vous pouvez également sélectionner votre code pays vous-même.

Mot de passe oublié

Si vous avez oublié votre mot de passe, veuillez suivre les procédures suivantes :

1. Touchez « Mot de passe oublié »
2. Le système reconnaît votre pays / zone automatiquement. Vous pouvez également sélectionner votre code pays vous-même. Saisissez le numéro de mobile/e-mail et appuyez sur « Suivant »
3. Saisissez le code de vérification dans le message/e-mail, puis saisissez le nouveau mot de passe et touchez « Confirmez » pour terminer.

WiFi Woods Connect prend en charge les fonctions ci-dessous :

Marche/Arrêt

Mode de refroidissement
Mode déshumidification
Mode ventilateur
Mode Éco
Réglages de température
Vitesse : Basse, Moyenne et Élevée
Minuterie : 1-24 h
Veille : Marche/Arrêt
Nettoyage automatique : Marche/Arrêt
Celsius/Fahrenheit
Oscillation : Marche/Arrêt

3. Suivez les procédures dans l'APP pour profiter du WiFi.

Domotique

Si vous avez un produit Domotique, veuillez effectuer les étapes 1 à 3.

Service d'accès tiers : Touchez sur

une icône de service vocal tiers pour voir comment vous connecter au service.

Vous trouvez ces icônes

Smart Home Woods Connect prend en charge les fonctions ci-dessous par commande vocale :

Marche/Arrêt

Réglages de température
modes de fonctionnement
Modes ventilateur

Pour de plus amples informations, consultez :

<https://woods.se/en/>

PROBLÈME	CAUSE	SOLUTION
Une pression sur le bouton de marche/arrêt ne fait pas démarrer l'unité	Débranché/La prise ou la douille est endommagée.	Branchez l'unité ou remplacez la prise d'alimentation ou la douille.
	Fusible brisé	Remplacez le fusible (3,15 A/250 CA)
	La température ambiante est inférieure à la température de réglage. (Mode de refroidissement)	Réinitialisez la température
Pas assez froid	Les portes ou fenêtres ne sont pas fermées.	Vérifiez que toutes les portes et fenêtres sont fermées.
	Il y a des sources de chaleur dans la pièce.	Si possible, éliminez toutes les sources de chaleur
	Le tuyau d'air d'échappement est débranché ou bloqué.	Branchez ou nettoyez le tuyau d'air d'échappement.
	Le réglage de température est trop élevé.	Réinitialisez la température
	L'entrée d'air est bloquée.	Nettoyez l'entrée d'air.
Niveau sonore élevé	Le sol n'est pas assez plat	Placez l'unité sur un sol plat, si possible
	Le bruit est dû à l'écoulement du réfrigérant à l'intérieur du climatiseur	Il est normal.

En cas de problèmes avec votre climatiseur portable, veuillez consulter les informations de dépannage ci-dessous. Si aucune des recommandations ne fonctionne, veuillez contacter votre détaillant pour la révision de votre climatiseur.

CODES D'ERREUR	CAUSE	SOLUTION
Code E2	Défaillance ou erreur du capteur de température ambiante	Remplacez le capteur de température ambiante
Code E3	Défaillance du capteur de température de l'évaporateur	Remplacez le capteur de température de l'évaporateur
Code E4	Le réservoir d'eau est plein	Videz le réservoir d'eau.

Garanties

Garantie consommateur de 2 ans contre les défauts de production. Veuillez noter que la garantie est uniquement valable en produisant un reçu. La garantie est uniquement valable si le produit est utilisé conformément aux instructions et aux avertissements de sécurité indiqués dans ce manuel. La garantie ne couvre pas les dommages causés par la manipulation inadaptée du produit.

REMARQUE : La garantie de 2 ans est uniquement applicable aux consommateurs et pas à l'utilisation commerciale de l'unité.



REMARQUE !

Inscrivez-vous sur le site www.warranty-woods.com et découvrez comment prolonger la garantie. Veuillez consulter le site www.woods.se pour de plus


Limites conseillées lors de l'utilisation

La température ambiante optimale pour le refroidissement est comprise entre 17 et 35 °C et entre 8 et 25 °C pour le chauffage. L'unité fonctionne jusqu'à +43 °C. Paramètre de fusible : $\varnothing 5,0 \times 20$ mm 3,15 A, 250 VCA.

CARACTÉRISTIQUES TECHNIQUES

	AC Milan 7K WIFI	AC Milan 9K WIFI	AC Como 12K WIFI
Capacité de refroidissement	2000 W	2600 W	3500 W
Consommation d'alimentation	750 W	950 W	1250 W
Débit d'air :	350 m ³ /h	350 m ³ /h	380 m ³ /h
Classe d'énergie	A	A	A
Déshumidification	19 l/24 h	24 l/24 h	28,8 l/24 h
Réglage de température	15-31 °C	15-31 °C	15-31 °C
Température de fonctionnement	16-43 °C	16-43 °C	16-43 °C
EER	2,6	2,6	2,6
Longueur du tuyau de vidange	1,0 m	1,0 m	1,0 m
Longueur du tuyau de diamètre	10 mm	10 mm	10 mm
Gaz réfrigérant	R290/100 g	R290/160 g	R290/220 g
Niveau sonore en décibels	61dB	61dB	52 dB
Poids	22 kg	24 kg	25 kg
Dimensions en mm, L x B x H	355x350x700	355x350x700	355x350x700

*Des modifications et des améliorations techniques peuvent être apportées. Toutes les valeurs sont approximatives et peuvent varier en raison des circonstances externes telles que la température, la ventilation et l'humidité.

 *Ce marquage indique que ce produit ne doit pas être éliminé avec d'autres déchets ménagers dans l'UE. Afin d'éviter qu'une mise au rebut incontrôlée des déchets ne nuise à l'environnement ou à la santé humaine, recyclez l'appareil de manière responsable afin de promouvoir la réutilisation durable des ressources matérielles. Pour retourner votre appareil, veuillez utiliser les systèmes de retour et de collecte ou contacter le détaillant chez lequel le produit a été acheté. Il peut reprendre ce produit pour un recyclage environnemental sûr.

 *Les piles usées ne doivent pas être jetées avec les ordures ménagères, car elles sont susceptibles de contenir des éléments toxiques et des métaux lourds nocifs pour l'environnement et dangereux pour la santé. Rapportez les piles usées à un centre de recyclage approprié.

méstico. Limpie el electrodoméstico con un paño suave y húmedo. Utilice solo detergentes neutros. No utilice productos abrasivos, almohadillas de limpieza abrasivas, disolventes ni objetos metálicos. Si el cable de alimentación está dañado, debe ser sustituido por el fabricante, su Centro de servicio autorizado o por personas de cualificación similar para evitar riesgos.

INSTRUCCIONES DE SEGURIDAD

Instalación

ADVERTENCIA

Solo una persona cualificada debe instalar este electrodoméstico. Retire todo el embalaje.

No instale ni utilice un electrodoméstico dañado. El electrodoméstico debe instalarse, manejarse y guardarse en una habitación con una superficie de suelo superior a 4,2 m² (7k), 7,7 m²(9k), 9,6 m²(12k). Siga las instrucciones de instalación suministradas con el electrodoméstico.

Tenga siempre cuidado al mover el electrodoméstico porque es pesado. Use siempre guantes de seguridad. Tenga en cuenta que es posible que los refrigerantes no contengan olor

Asegúrese de que el aire pueda circular alrededor del electrodoméstico. Espere al menos 4 horas antes de conectar el electrodoméstico a la fuente de alimentación. De esta manera, se permite que el aceite

vuelva a entrar en el compresor. No instale el electrodoméstico cerca de radiadores ni otras fuentes de calor.

No instale el electrodoméstico donde haya luz directa del sol.

Conexión eléctrica

ADVERTENCIA

Riesgo de incendio y de descarga eléctrica.

El electrodoméstico debe conectarse a una toma de corriente conectada a tierra. Asegúrese de que la información eléctrica de la placa de clasificación coincida con la fuente de alimentación. De lo contrario, póngase en contacto con un electricista.

Utilice siempre un enchufe a prueba de descargas correctamente instalado. No utilice adaptadores de enchufes múltiples ni alargadores.

Asegúrese de no causar daños a los componentes eléctricos (p. ej., enchufe de red, cable de red). Póngase en contacto con el Centro de asistencia autorizado o con un electricista para cambiar los componentes eléctricos. El cable de red debe permanecer por debajo del nivel del enchufe de red.

Conecte el enchufe de la red a la toma de corriente solamente al final de la instalación.

Asegúrese de que haya acceso al enchufe de red después de la instalación.

No tire del cable de red para desconectar el electrodoméstico.

Tire siempre del enchufe de red.

Uso

ADVERTENCIA

Riesgo de lesiones, quemaduras, descarga eléctrica o incendio. No modifique las especificaciones de este electrodoméstico.

Tenga cuidado de no causar daños en el circuito refrigerante. Contiene propano (R290), un gas natural con un alto nivel de compatibilidad medioambiental. Este gas es inflamable.

Si se produce algún daño en el circuito del refrigerante, asegúrese de que no haya llamas y fuentes de ignición en la habitación. Ventile la habitación.

No deje productos inflamables ni artículos que estén mojados con productos inflamables cerca o sobre el electrodoméstico.

Eliminación

ADVERTENCIA

Riesgo de lesiones. Desconecte el electrodoméstico de la red eléctrica.

Corte el cable de alimentación y deséchelo.

El circuito refrigerante de este electrodoméstico es respetuoso con el ozono. Póngase en contacto con las autoridades municipales para obtener información sobre cómo desechar el electrodoméstico correctamente. No provoque daños en la parte de la unidad de refrigeración que está cerca del intercambiador de calor.

CONFIGURACIÓN DEL AIRE ACONDICIONADO DE CARA A SU INSTALACIÓN

IMPORTANTE:

2. Instalación

ANTES DE UTILIZARLO POR PRIMERA VEZ

Deje reposar la máquina en posición vertical durante 2 horas antes de usarla Selección de la ubicación

Importante

1. Este aire acondicionado se puede mover en el interior de manera práctica; mantenga la unidad en posición vertical mientras la mueve. El aire acondicionado se deberá colocar sobre una superficie plana.

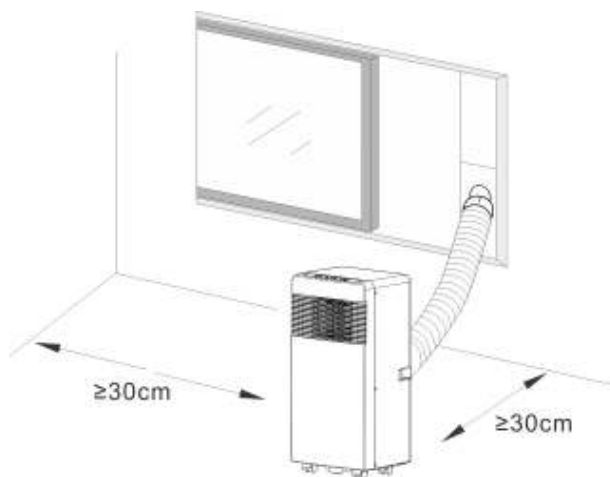
No instale ni utilice este aire acondicionado en un cuarto de baño ni en ningún otro lugar húmedo. Puesto que el aire acondicionado portátil tiene ruedas, resulta fácil cambiarlo de posición. Cuando el calor apriete, no tiene más que trasladar su aire acondicionado portátil a la habitación en la que esté y podrá empezar rápidamente a enfriar el espacio.

Para que sea lo más eficaz posible, el aire acondicionado debe funcionar en un área cerrada. Cierre todas las puertas, ventanas y otras aberturas exteriores que tenga la habitación. La eficacia del aire acondicionado depende de la temperatura y del nivel de humedad.

2. Coloque el aire acondicionado en un lugar que no restrinja el flujo de aire a través de la parte delantera de la unidad.

3. Un aire acondicionado que esté funcionando en una habitación tendrá poco o ningún efecto a la hora de secar un área de almacenamiento cerrada adyacente, como puede ser un armario, a menos que haya una circulación adecuada de aire dentro y fuera del área. Un aire acondicionado portátil evacúa el calor de la unidad con una manguera de ventilación a través de una ventana o una válvula de aire de escape.

4. Debe haber una distancia mínima de 30 cm entre el aire acondicionado y el objeto más cercano. Consulte la imagen a modo de referencia.



ELIJA WOOD'S SI QUIERE DISFRUTAR DE UN AIRE INTERIOR LIMPIO Y SALUDABLE

La marca Wood's nació con la familia Wood's hace más de 70 años en la ciudad canadiense de Guelph, Ontario. Aquí es donde Wood's empezó a desarrollar y fabricar deshumidificadores en 1950. Desde entonces, Wood's ha ayudado a varios cientos de miles de hogares a prevenir los daños que provoca el moho por la humedad y a respirar aire más limpio. Nuestros aires acondicionados portátiles son aptos para su uso en la mayoría de los climas, ya que la capacidad es buena incluso a diferentes temperaturas y niveles de humedad. Se utilizan con buenos resultados en instalaciones que acumulan calor, como salas de estar, oficinas o dormitorios. La cantidad de aire caliente que elimina el aire acondicionado depende de la temperatura, el nivel de humedad y la colocación. Las condiciones meteorológicas externas también pueden afectar al rendimiento del aire acondicionado.

Los aires acondicionados de Wood's son seguros en funcionamiento y están diseñados para su uso continuo durante muchos años.

¿CÓMO FUNCIONA LA UNIDAD DE AIRE ACONDICIONADO?

La baja presión da aire frío

El elemento principal del aire acondicionado es un refrigerante que, a baja presión, se convierte en gas. El proceso «crea frío», que se transmite hacia adentro, manteniendo el aire caliente fuera.

Un refrigerante líquido atraviesa una válvula de expansión y penetra en una tubería donde la presión es baja.

El refrigerante se evapora y se convierte en un gas. El proceso absorbe el calor del entorno y la tubería se enfría.

Un ventilador sopla el aire frío en la habitación.

El gas atraviesa un compresor, que aumenta la presión y convierte el gas en líquido.

En este proceso, se libera calor, que se lleva a las tuberías del lado opuesto y que expulsa un ventilador.

Un termostato apaga la unidad cuando el aire interior está lo suficientemente frío.

1. ADVERTENCIAS DE SEGURIDAD



Material inflamable. Este electrodoméstico contiene R290/propano, un refrigerante inflamable.



Para obtener información sobre seguridad, consulte este manual.



Lea el Manual técnico



Lea el Manual del operador.

INFORMACIÓN DE SEGURIDAD

Antes de la instalación y uso del electrodoméstico, lea detenidamente las instrucciones suministradas. El fabricante no es responsable de las lesiones y los daños provocados como consecuencia de una instalación y un uso incorrectos. Guarde siempre las instrucciones con el electrodoméstico para consultarlas en el futuro.

Seguridad de los niños y de las personas vulnerables

ADVERTENCIA

Riesgo de lesiones o incapacidad permanente. Este electrodoméstico puede ser utilizado por niños de 8 años o más y personas con capacidades físicas, sensoriales o mentales reducidas o falta de experiencia y conocimientos, si se les ha dado supervisión o instrucciones sobre

el uso del electrodoméstico de manera segura y comprenden los riesgos que implica.

No permita que los niños jueguen con el electrodoméstico

Los niños menores de 3 años deben mantenerse alejados, a menos que estén continuamente supervisados. Mantenga todo el embalaje lejos de los niños.

La limpieza y el mantenimiento del usuario no se deben realizar por niños sin supervisión.

Seguridad general

Este electrodoméstico está diseñado para su uso en aplicaciones domésticas y similares, tales como las siguientes: cuarto de estar, salón, áreas de cocina del personal en tiendas, oficinas y otros ambientes laborales. La placa de clasificación se encuentra en la parte lateral o posterior del aire acondicionado.

Mantenga las aperturas de ventilación libres de obstrucciones.

No utilice dispositivos mecánicos ni otros medios para acelerar el proceso de descongelación, excepto los recomendados por el fabricante.

El electrodoméstico no debe guardarse en una habitación con fuentes de ignición que estén en funcionamiento (por ejemplo, llamas abiertas, un aparato de gas en funcionamiento o un calentador eléctrico que funcione). No lo perforo ni lo queme.

Tenga en cuenta que es posible que los refrigerantes no contengan olor. No utilice agua pulverizada ni vapor para limpiar el electrodo-

DESCRIPCIÓN DEL PRODUCTO

3. Descripción del producto

- | | | |
|---|--|---|
| <p>A</p> <ol style="list-style-type: none"> 1. Conducto de escape de aire 2. Conector del conducto de escape de aire 3. Adaptador de escape de la ventana 4. Mando a distancia 5. Placa deflectora 6. Tapón del agua <p>B</p> <ol style="list-style-type: none"> 1. Imagen de la parte delantera del producto <p>C</p> <ol style="list-style-type: none"> 1. Panel de control 2. Salida de aire frío 3. Receptor de señal 4. Mando a distancia 5. Asa de transporte 6. Manguera de salida de aire 7. Entrada de aire del evaporador 8. Puerto de desagüe primario <p>D</p> <ol style="list-style-type: none"> 1. Imagen de la parte superior del producto <p>E</p> <ol style="list-style-type: none"> 1. Temporizador / Botón de ascenso de la temperatura 2. Temporizador / Botón de descenso de la temperatura 3. Refrigeración automática
Modo de deshumidificación y ventilador 4. WIFI 5. Botón de modo de reposo y bloqueo infantil 6. Giro 7. Botón del temporizador 8. Botón de modo 9. Botón de velocidad 10. Botón de encendido 11. Velocidad del ventilador baja, alta 12. Indicador de potencia / Bloqueo infantil | <p>F</p> <ol style="list-style-type: none"> 1. Diagrama esquemático de la limpieza de la rejilla del filtro <p>G</p> <ol style="list-style-type: none"> 1. BOTÓN
Encendido/apagado 2. BOTÓN
Pulse este botón para seleccionar el modo de funcionamiento. 3. BOTÓN
Se utiliza para seleccionar la velocidad del ventilador en la secuencia. 4. BOTONES DE AJUSTE
used to adjust the room temperature and the timer. 5. BOTÓN
Se utiliza para establecer o cancelar el Modo de funcionamiento. 7. BOTÓN
Se utiliza para configurar la hora automática de apagado y encendido. 8. BOTÓN
Se utiliza para establecer el giro automático. | <p>H</p> <ol style="list-style-type: none"> 1. Gire ambos extremos de la manguera de escape e introdúzcalos en el conector de la manguera. <p>I</p> <ol style="list-style-type: none"> 1. Introducción a la instalación de mangueras de escape <p>J</p> <ol style="list-style-type: none"> 1. Introducción a la instalación de mangueras de escape <p>K</p> <ol style="list-style-type: none"> 1. Instalación del kit de la corredera de las ventanas <p>L</p> <ol style="list-style-type: none"> 1. Conecte la manguera de desagüe |
|---|--|---|

FUNCIONES DE LOS MODOS DE FUNCIONAMIENTO Y DESCRIPCIONES DE LA INSTALACIÓN

A. Accesorios

Después de desembalar el producto, compruebe que estén todos los accesorios mencionados anteriormente y consulte para qué son en la introducción a la instalación de este manual.

B. Acondicionador de aire móvil

J. Aspecto y funciones del mando a distancia.

Notas:- No deje caer el mando a distancia. No coloque el mando a distancia en un lugar expuesto a la luz directa del sol.

M. Introducción al funcionamiento

Antes de poner en marcha las operaciones incluidas en esta sección:

- 1) Encuentre un lugar cercano a una fuente de alimentación.
- 2) Instale la manguera de escape y ajuste bien la posición de la ventana.
- 3) Conecte la manguera de desagüe bien (solo para utilizar el modelo de calefacción);
- 4) Introduzca el cable de alimentación en una toma de corriente 220-240 VCA/50 Hz conectada a tierra;
- 5) Pulse el botón POWER (encendido) para encender el aire acondicionado.

K&L. Introducción a la instalación de mangueras de escape

A) Instalación temporal

1. Gire ambos extremos de la manguera de escape e introdúzcalos en el conector de la manguera.
2. Introduzca el clip de fijación cuadrado en la salida de aire de la parte posterior del aire acondicionado
3. Coloque el otro extremo de la manguera de escape en el alféizar más cercano.

N. Instalación del kit de la corredera de las ventanas

La forma de instalación del kit de la corredera de las ventanas es principalmente en «horizontal» y «vertical». Como se muestra en las Fig. 5 y 5a, antes de la instalación compruebe el tamaño

mínimo y máximo de la ventana.

1. Instale el kit para ventanas en la ventana;
2. Ajuste la longitud del kit de la corredera de las ventanas de acuerdo con la anchura o la altura de la ventana y fíjelo con el pasador;
3. Introduzca la manguera del conector para ventanas en el orificio del kit para ventanas.

O. Función de alarma de depósito interior lleno de agua

El depósito de agua interior del aire acondicionado tiene un interruptor de seguridad de nivel de agua que controla el nivel del agua. Cuando el nivel del agua alcanza una altura prevista, se enciende el testigo que indica que está lleno de agua. En la pantalla aparecerá el código de error «E4». (Si la bomba de agua está dañada, cuando está lleno de agua, retire el tope de goma de la parte inferior de la unidad y se evacuará toda el agua).

Es muy importante que el filtro se limpie regularmente. De lo contrario, el aire acondicionado podría perder capacidad e incluso estropearse gravemente.

H. Explicaciones sobre el mantenimiento

Declaración:

- 1) Antes de realizar la limpieza, asegúrese de desconectar la unidad de cualquier toma de corriente eléctrica;
- 2) No use gasolina ni otros productos químicos para limpiar la unidad;
- 3) No lave directamente la unidad;
- 4) Si el aire acondicionado está dañado, póngase en contacto con el distribuidor o el taller de reparación.

1. Filtro de aire

- Si el filtro de aire se obstruye con polvo/suciedad, debe limpiarse una vez cada dos semanas. - Desmontaje
Abra la rejilla de entrada de aire y quite el filtro de aire.

- Limpieza

Limpie el filtro de aire con un detergente

neutro con agua tibia (40 °C) y déjelo secar a la sombra.

- Montaje

Coloque el filtro de aire en la rejilla de entrada, vuelva a poner los componentes como estaban.

1. Primero limpie la superficie con un detergente neutro y un paño húmedo y, a continuación, pase un paño seco por ella.

E. Antes de usarlo

Compruebe si la manguera de escape está montada correctamente.

Precauciones para las operaciones de enfriamiento y deshumidificación:

- Cuando utilice funciones de enfriamiento y deshumidificación, mantenga un intervalo de al menos 3 minutos entre cada POWER (encendido).

- La fuente de alimentación cumple los requisitos.


- El enchufe es para CA.

- No comparta un enchufe con otros electrodomésticos.

- La fuente de alimentación es de 220-240 VCA, 50 Hz

1. Encienda la unidad

a) Enchúfela y, a continuación, la unidad emitirá un pitido, La luz indicadora de encendido se enciende.

b) Pulse el botón «» y, a continuación, la unidad se enciende.

El LED muestra la temperatura

2. Operación de refrigeración

- Pulse el botón «Mode» (Modo) hasta que aparezca el icono «Cool» (Enfriar).

- Pulse el botón **+** o **-** para seleccionar la temperatura ambiente deseada. (15 °C -31 °C)

- Pulse el botón «Fan Speed» (Velocidad del ventilador) para seleccionar la velocidad del aire.

3. Operación de deshumidificación.

Pulse el botón «Mode» (Modo) hasta que aparezca el icono «Desmuhifidy» (Dehumidificar).

- Ajuste automáticamente la temperatura seleccionada a la temperatura ambiente actual menos 2 °C.

- Ajuste automáticamente el motor del ventilador a una velocidad de aire BAJA

FUNCIONES DE LOS MODOS DE FUNCIONAMIENTO Y DESCRIPCIONES DE LA INSTALACIÓN

(LOW).

4. Funcionamiento del ventilador

- Pulse el botón «Mode» (Modo) hasta que aparezca el icono «Fan» (Ventilador).
- Pulse el botón «Fan Speed» (Velocidad del ventilador) para seleccionar la velocidad del aire.


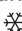


5. Operación de calefacción (esta función no está disponible para una unidad de solo frío) - Pulse el botón «Mode» (Modo) hasta que aparezca el icono «Heat» (Calentar).

- Pulse el botón **+** o **-** para seleccionar la temperatura ambiente deseada. (15 °C - 31 °C)
- Pulse el botón «Fan Speed» (Velocidad del ventilador) para seleccionar la velocidad del aire.

6. Funcionamiento del temporizadora a)

- Pulse el botón «Timer» (temporizador) para establecer la hora de apagado automático mientras la unidad está en funcionamiento.
- b) Pulse el botón «Timer» (temporizador) para establecer la hora de apagado automático mientras la unidad está lista.
- c) La hora se puede ajustar en un rango de 1 a 24 horas. Pulse el botón de ascenso de la temperatura (**+**) o de descenso de la temperatura (**-**) para subir o bajar el tiempo en 1 hora con cada pulsación.

7. funcionamiento

- a) El  funcionamiento es eficaz cuando la unidad está en  modo.
- b) Pulse el  botón en  modo, en modo . La unidad funcionará entonces en modo de reposo y el ventilador centrífugo pasará a baja velocidad automáticamente. La temperatura establecida aumentará 1 °C al cabo de una hora y aumentará 2 °C al cabo de dos horas. Al cabo de seis horas, la unidad dejará de funcionar.

8. Funcionamiento

- a) cuando se activa el botón de giro, la hoja de giro se balancea hacia arriba y hacia abajo automáticamente. Si desea

detenerla, pulse el botón de nuevo.

Mantenimiento

Limpie la unidad con un paño suave y húmedo. No utilice disolventes ni limpiadores fuertes, ya que ello podría dañar la superficie de la unidad.

Servicio

Si el aire acondicionado requiere una puesta a punto, primero debe ponerse en contacto con su vendedor minorista local. Para cualquier reclamación dentro de la garantía, es preciso presentar una prueba de compra.

Instrucciones de almacenamiento

Almacenamiento al final de la temporada

- 1) Desatornille la tapa de drenaje y extraiga el tapón para drenar completamente el agua condensada.
- 2) Mantenga la unidad en funcionamiento durante medio día para secarla por dentro por completo. Así evitará que le salga moho.
- 3) Apague la unidad, desenchúfela y, a continuación, envuelva el cable de alimentación alrededor del poste de bobinado. Introduzca el enchufe en el orificio de fijación universal del panel trasero de la unidad, coloque el tapón del agua y la tapa de drenaje.

- 4) Quite el conjunto de la manguera de escape de calor, límpielo y guárdelo correctamente.

Notas:

Cuando lo retire, agarre el conjunto de la manguera de escape con ambas manos. Empuje con los pulgares los cierres a un lado en la salida de aire de escape y, a continuación, extraiga el conjunto de la manguera de escape.

- 5) Empaquete el aire acondicionado correctamente en una bolsa de plástico blanda y colóquelo en un lugar seco con las medidas adecuadas a prueba de polvo. Mantenga la unidad alejada de los niños.

- 6) Saque las pilas del mando a distancia y guárdelas correctamente.

Nota:

Asegúrese de que la unidad se guarde en un lugar seco.

Todos los accesorios de la unidad deberán protegerse correctamente.

El soporte del cable de alimentación y la toma universal pueden proteger bien el cable de alimentación.

Posición alta de la salida de aire de escape, fácil montaje y ventilación rápida.

Inteligente, respetuoso con el medio ambiente y con ahorro de energía y sistema de refrigeración autoevaporativo. Función de temporizador de 24 horas, música recordatoria única de encendido/apagado.

Protección de reinicio con retardo de tres minutos para el compresor y múltiples funciones de protección más.

Función wifi

1. Descarga e instalación de la app

Descargue la aplicación Woods Connect desde App Store o Google Play

1. Registro/Inicio de sesión/He olvidado mi contraseña

Registro

Si no tiene una cuenta en la app, registre una cuenta o inicie sesión con el código de verificación que recibirá por SMS.

En esta página se describe el proceso de registro.

1. Toque para entrar en la página de registro
2. El sistema reconoce automáticamente su país/zona. También puede seleccionar el código de su país. Introduzca el número de teléfono móvil/el correo electrónico y toque en «Siguiente».
3. Si indica un número de teléfono móvil, introduzca el código de verificación del mensaje y la contraseña. Toque en «Confirmar» para finalizar su registro.
4. Si indica el correo electrónico, introduzca la contraseña y toque en «Confirmar» para finalizar su registro.

2. Inicio de sesión con nombre de usuario y contraseña o código de verificación a través de SMS

Inicio de sesión con nombre de usuario y contraseña

1. El sistema reconoce automáticamente su país/zona. También puede seleccionar el código de su país. Introduzca el número de teléfono móvil/el correo electrónico y toque en «Siguiente».
2. Introduzca el número de teléfono móvil o el correo electrónico registrados y la contraseña para iniciar sesión.

Inicio de sesión con código de verificación

1. Toque en «Iniciar sesión con verificación por SMS» en la nueva página
2. El sistema reconoce automáticamente su país/zona. También puede seleccionar el código de su país usted mismo.

He olvidado mi contraseña

Si ha olvidado su contraseña, haga lo siguiente:

1. Toque en «He olvidado mi contraseña»
2. El sistema reconoce automáticamente su país/zona. También puede seleccionar el código de su país usted mismo. Introduzca el número de teléfono móvil/el correo electrónico y toque en «Siguiente».
3. Introduzca el código de verificación en el mensaje/el correo electrónico e introduzca la nueva contraseña. Toque en «Confirmar» para finalizar.

WiFi Woods Connect es compatible con las siguientes funciones:

Encendido/Apagado
 Modo de refrigeración
 Modo de deshumidificación
 Modo de ventilador
 Modo ecológico
 Ajustes de temperatura
 Velocidad: baja, media y alta
 Temporizador: 1-24 h
 Reposo: Activado/Desactivado
 Limpieza automática: Activado/Desactivado
 Celsius/Fahrenheit
 Giro: Activado/Desactivado

3. Para disfrutar del wifi, siga los procedimientos de la APP.

Smart Home

Si tiene un producto Smart Home, realice los pasos de 1 a 3.

Servicio de acceso de terceros:
 Toque en un icono de servicio de voz de terceros para ver cómo conectarse al servicio.

Encontrará estos iconos

Smart Home Woods Connect es compatible con las siguientes funciones de comando de voz:

Encendido/Apagado
 Ajustes de temperatura
 Modos de funcionamiento
 Modos ventilador

Para más información, visite:
<https://woods.se/en/>

PROBLEMA	CAUSA	SOLUCIÓN
La unidad no arranca cuando pulsa el botón de encendido/apagado	No enchufado / Enchufe macho o hembra están dañados.	Enchúfelo o sustituya el enchufe macho o hembra.
	Fusible roto	Sustituya el fusible (3,15 A/250 CA)
	La temperatura ambiente es inferior a la temperatura configurada. (Modo de refrigeración)	Restablezca la temperatura
No enfría lo suficiente	Las puertas o ventanas no están cerradas.	Asegúrese de que todas las ventanas y puertas estén cerradas.
	Hay fuentes de calor dentro de la habitación.	A ser posible, elimine las fuentes de calor
	La manguera de aire de escape no está conectada ni bloqueada.	Conecte o limpie la manguera de aire de escape.
	La configuración de la temperatura es demasiado alta.	Restablezca la temperatura
	La entrada de aire está bloqueada.	Limpie la entrada de aire.
Alto nivel de ruido	El suelo no está nivelado o no lo suficientemente plano	A poder ser, coloque la unidad sobre un suelo plano y nivelado
	El sonido procede del flujo del refrigerante dentro del aire acondicionado	Esto es algo normal.

Si tiene problemas con su aire acondicionado portátil, consulte la sección de localización y resolución de problemas que se incluye a continuación. Si nada de lo siguiente funciona, póngase en contacto con su distribuidor para que realice la puesta a punto de su aire acondicionado.

CÓDIGOS DE ERROR	CAUSA	SOLUCIÓN
Código E2	Fallo del sensor de temperatura ambiente o está dañado.	Sustituya el sensor de temperatura ambiente
Código E3	Fallo del sensor de temperatura del evaporador.	Reemplace el sensor de temperatura del evaporador
Código E4	Depósito de agua lleno	Vacíe el depósito de agua.

Garantías

Garantía de dos años para el consumidor por fallos de producción. Tenga en cuenta que la garantía solo es válida tras la presentación del tique de compra. La garantía solo es válida si el producto se utiliza de acuerdo con las instrucciones y advertencias de seguridad incluidas en este manual. La garantía no cubre los daños causados por la manipulación incorrecta del producto.

NOTA: La garantía de dos años solo se aplica a los consumidores y no al uso comercial de la unidad.




¡NOTA!


Regístrese en www.warranty-woods.com y descubra cómo puede ampliar la garantía. Para obtener más información, visite www.woods.se.

Límites de uso recomendados La mejor temperatura ambiente de funcionamiento para la refrigeración es de 17-35 °C, y la temperatura ambiente óptima para la calefacción es de 8-25 °C. La unidad funciona hasta +43 °C. Parámetro de fusible: ϕ 5,0x20 mm 3,15 A

DATOS TÉCNICOS	AC Milan 7K WIFI	AC Milan 9K WIFI	AC Como 12K WIFI
Capacidad de enfriamiento	2000 W	2600 W	3500 W
Consumo de energía	750 W	950 W	1250 W
Flujo de aire:	350 m ³ /h	350 m ³ /h	380 m ³ /h
Clase energética	A	A	A
Deshumidificación	19 l/24 h	24 l / 24 h	28,8 l / 24 h
Configuración de la temperatura	15-31 °C	15-31 °C	15-31 °C
Temperatura de funcionamiento	16-43 °C	16-43 °C	16-43 °C
EER	2,6	2,6	2,6
Longitud de la manguera de desagüe	1,0 m	1,0 m	1,0 m
Diámetro de la manguera de desagüe	10 mm	10 mm	10 mm
Gas refrigerante	R290/100 g	R290/160 g	R290/220 g
Nivel de ruido en decibelios	61dB	61dB	52 dB
Peso	22 kg	24 kg	25 kg
Dimensiones en mm, L x Anch. x Alt.	355x350x700	355x350x700	355x350x700

*Puede haber cambios técnicos y mejoras. Todos los valores son aproximados y pueden variar debido a circunstancias externas tales como la temperatura, la ventilación y la humedad.

 *Este marcado indica que este producto no se debe eliminar con otros desechos domésticos en toda la UE. Para evitar posibles daños al medio ambiente o a la salud de las personas a raíz de la eliminación incontrolada de desechos, recíclolo de una manera responsable para fomentar la reutilización sostenible de los recursos materiales. Para devolvernos su dispositivo, utilice los sistemas de devolución y recogida o póngase en contacto con el minorista donde compró el producto. Pueden llevarse este producto y reciclarlo de manera que sea seguro para el medio ambiente.

 *Použití baterie se nesmí likvidovat prostřednictvím odpadů z domácnosti, protože mohou obsahovat toxické prvky a těžké kovy, které mohou být škodlivé pro životní prostředí a lidské zdraví. Vraťte vybité baterie ve vhodném recyklačním zařízení.

WOOD'S VOOR SCHONE EN GEZONDE BINNENLUCHT

Het merk Wood's werd meer dan 70 jaar geleden opgericht door de familie Wood in de Canadese stad Guelph, Ontario. Hier begon Wood's in 1950 met de ontwikkeling en productie van ontvochtigers. Sindsdien heeft Wood's enkele honderdduizenden huishoudens geholpen om schade door schimmel vocht te voorkomen en om schonere lucht in te ademen. Onze verplaatsbare airconditioners zijn geschikt voor gebruik in de meeste klimaten, waar de capaciteit ook bij verschillende temperaturen en vochtigheidsniveaus passend is. Ze worden met goed resultaat gebruikt in panden en ruimtes die heet worden, zoals huiskamers, kantoren of slaapkamers. De hoeveelheid hete lucht die een airconditioner verwijdert hangt af van de temperatuur, vochtigheidsgraad en plaats. Ook externe weersomstandigheden kunnen van invloed zijn op de prestaties van de airconditioner.

Wood's airconditioners zijn veilig te bedienen en bedoeld om jarenlang onafgebroken gebruikt te worden.

HOE WERKT DE AIRCONDITIONER?

Lage druk geeft koude lucht
Het belangrijkste element van de airconditioner is het koelmiddel, dat onder lage druk wordt omgezet in gas. Het proces "creëert koude", dat naar binnen wordt overgebracht, terwijl de warme lucht buiten blijft.

Een vloeibaar koelmiddel gaat door een expansieklep en vervolgens door een leiding waar de druk laag is.

Het koelmiddel verdampt en gaat over in gasvorm. Het proces absorbeert warmte uit de omgeving en de leiding wordt gekoeld. Een ventilator blaast de koude lucht de kamer in. Het gas gaat door een compressor, die de druk verhoogt en het gas weer omzet naar de vloeistofvorm.

Tijdens dit proces komt warmte vrij, die naar leidingen aan de andere kant wordt geleid en naar buiten wordt geblazen door een ventilator.

Een thermostaat schakelt het apparaat uit wanneer de lucht in de kamer koud genoeg is.

1. VEILIGHEIDSWAARSCHUWINGEN



Ontvlambaar materiaal. Dit apparaat bevat R290/ Propaan, een ontvlambaar koelmiddel.



Raadpleeg deze handleiding voor veiligheidsinformatie.



Lees de technische handleiding



Lees de gebruikshandleiding.

VEILIGHEIDSinFORMATIE

Lees vóór installatie en gebruik van het apparaat de bijgeleverde handleidingen aandachtig door. De fabrikant is niet verantwoordelijk als onjuiste installatie en gebruik leiden tot letsel en schade. Houd de handleidingen altijd bij het apparaat voor toekomstig gebruik.

Veiligheid kinderen en kwetsbare personen

WAARSCHUWING



Risico op letsel of blijvende invaliditeit.

Dit apparaat kan worden gebruikt door kinderen van 8 jaar en ouder en personen met verminderde lichamelijke, zintuiglijke of mentale vermogens of gebrek aan ervaring en kennis indien zij op een veilige manier begeleid worden of instructie hebben gekregen over

het gebruik van het apparaat en de gevaren begrijpen.

Laat kinderen niet met het apparaat spelen.

Kinderen jonger dan 3 jaar moeten van het apparaat weggehouden worden, tenzij zij onder voortdurend toezicht staan.

Houd alle verpakkingen uit de buurt van kinderen.

Reiniging en gebruikersonderhoud mogen niet door kinderen worden uitgevoerd zonder dat er toezicht is.

Algemene veiligheid

Dit apparaat is bedoeld voor gebruik in huishoudens en soortgelijke toepassingen zoals: zitkamer, woonkamer, personeelskeukens in winkels, kantoren en andere werkomgevingen. Het typeplaatje zit aan de achterzijde of aan de zijkant van de airconditioner.

Zorg dat de ventilatieopeningen niet geblokkeerd worden.

Gebruik geen mechanische apparaten of andere middelen om het ontdooiproces te versnellen, anders dan die door de fabrikant aanbevolen.

Het apparaat mag niet worden opgeslagen in een ruimte met werkende ontstekingsbronnen (bijv. open vuur, een gasapparaat in gebruik of een werkende elektrische kachel. Niet doorboren of branden. Let op dat koelmiddelen geen geur mogen bevatten. Gebruik geen waterstraal en stoom om het apparaat schoon te maken. Reinig het apparaat met een vochtige zachte doek. Gebruik alleen neutrale schoonmaakmiddelen. Gebruik

geen schurende producten, schuursponsen, oplosmiddelen of metalen voorwerpen.

Indien het netsnoer beschadigd is, moet het worden vervangen door de fabrikant, zijn Authorized Service Centre of gelijkwaardig gekwalificeerde personen om problemen te voorkomen.

VEILIGHEIDSINSTRUCTIES

Installatie

WAARSCHUWING

Dit apparaat mag alleen door een gekwalificeerd persoon geïnstalleerd worden.

Verwijder alle verpakkingen.

Installeer of gebruik geen beschadigd apparaat. Het apparaat moet geïnstalleerd, gebruikt en opgeslagen worden in een ruimte met een vloeroppervlak van ten minste 4,2m²(7k), 7,7m²(9k), 9,6m²(12k). Volg de installatie-instructie die bij het apparaat is meegeleverd.

Wees altijd voorzichtig wanneer u het apparaat verplaatst omdat het zwaar is. Draag altijd veiligheidshandschoenen. Let op dat koelmiddelen geen geur mogen bevatten.

Zorg ervoor dat er lucht rond het toestel kan circuleren.

Wacht minimaal 4 uur voordat u het apparaat aansluit op het net. Dit is om de olie terug te laten stromen naar de compressor. Installeer het toestel niet vlak bij radiatoren of andere warmtebronnen. Installeer het toestel niet in direct zonlicht.

Elektrische aansluiting

WAARSCHUWING

Gevaar voor brand en elektrische schokken.

Het apparaat moet op een geaard stopcontact zijn aangesloten. Zorg dat de elektrische gegevens op het typeplaatje overeenkomen met de netvoeding. Is dat niet het geval dan moet u contact opnemen met een elektricien.

Gebruik altijd een correct geïnstalleerd slagvast stopcontact. Gebruik geen stekkerdozen en verlengkabels.

Zorg ervoor dat u de elektrische componenten niet beschadigt (bijv. stekker, netsnoer).

Neem contact op met het geautoriseerde servicecentrum of een elektricien om de elektrische componenten te vervangen. Het netsnoer moet lager liggen dan de stekker. Steek pas aan het einde van de installatie de stekker in het stopcontact.

Controleer of u na de installatie bij de stekker kunt.

Trek niet aan het netsnoer om het apparaat los te koppelen. Trek altijd aan de stekker.

Gebruik

WAARSCHUWING

Risico op letsel, brandwonden, elektrische schokken of brand. Wijzig de specificatie van dit toestel niet.

Zorg ervoor dat u het koelcircuit niet beschadigt. Het bevat propaan (R290), een natuurlijk

gas met een grote milieu-compatibiliteit. Dit gas is ontvlambaar.

Als er schade aan het koelcircuit ontstaat moet u ervoor zorgen dat er geen vlammen of andere ontstekingsbronnen in de ruimte zijn. Ventileer de kamer. Zet geen brandbare producten of voorwerpen die nat zijn van brandbare stoffen in de buurt van of op het apparaat.

Afvoeren

WAARSCHUWING

Risico op letsel.

Koppel het apparaat los van het net.

Knip het netsnoer af en gooi dit weg.

Het koelcircuit van dit apparaat is ozonvriendelijk. Neem contact op met uw gemeentelijke milieustation voor informatie over hoe u het apparaat correct afvoert. Zorg dat het gedeelte van de koeleenheid dat zich in de buurt van de warmtewisselaar bevindt niet beschadigt raakt.

AIRCONDITIONER VOORBEREIDEN VOOR INSTALLATIE

BELANGRIJK:

2. Installatie

VOOR HET EERSTE GEBRUIK

Laat de machine 2 uur voor gebruik rechtop staan. Een plek selecteren

Belangrijk

1. Deze airconditioner kan gemakkelijk binnenshuis verplaatst worden; houd het apparaat rechtop terwijl u het verplaatst. De airconditioner moet op een vlakke ondergrond worden geplaatst. Installeer of bedien deze airconditioner niet in een badkamer of een andere natte omgeving.

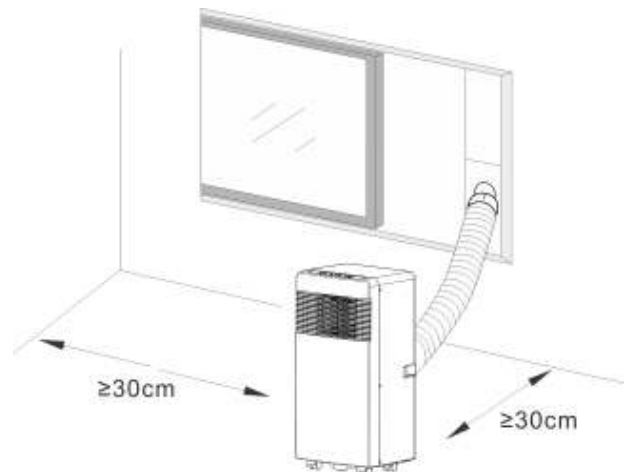
Omdat een verplaatsbare airconditioner op wielen rust, kan deze gemakkelijk op een andere plek worden geplaatst. Wanneer het warm wordt, verplaatst u eenvoudig de airconditioner naar de kamer en kunt u snel aan de slag met het koelen van de ruimte.

De airconditioner moet voor de hoogste effectiviteit in een gesloten ruimte worden gebruikt. Sluit alle deuren, ramen en andere openingen naar de kamer. De effectiviteit van de airconditioner is afhankelijk van de temperatuur en vochtigheidsgraad.

2. Plaats de airconditioner op een locatie die de luchtstroom door de voorkant van het apparaat niet belemmert.








3. Een airconditioner die in een ruimte aan staat, heeft weinig of geen droogeffect in een aangrenzende afgesloten opslagruimte, zoals een kast, tenzij er voldoende luchtcirculatie in en uit deze ruimte is. Een verplaatsbare airconditioner voert de warmte van het apparaat af via een ventilatieslang door een raam of afvoerluchtklep.

4. Er moet minimaal 30 cm ruimte zijn tussen de airconditioner en het dichtstbijzijnde object. Zie afbeelding voor verduidelijking.



PRODUCTBESCHRIJVING

3. Productbeschrijving

- A**
1. Luchtuitlaatslang
 2. Aansluiting luchtuitlaat
 3. Raamuitlaatadapter
 4. Afstandsbediening
 5. Luchtgeleideplaat
 6. Waterplug
- B**
1. Vooraanzicht product
- C**
1. Bedieningspaneel
 2. Koude lucht uitlaat
 3. Signaalontvanger
 4. Afstandsbediening
 5. Transporthandvat
 6. Luchtuitlaatslang
 7. Luchtinlaat verdamper
 8. Primaire afvoeropening
- D**
1. Bovenaanzicht product
- E**
1.  Timer / Knop temperatuur omhoog
 2.  Timer / Knop temperatuur omlaag
 3.     Automatisch koelen
Ontvochtigen en Ventilatormodus
 4.  WIFI
 5.  Knop Slaapstand en kinderslot
 6.  Pendel
 7.  Timerknop
 8.  Modusknop
 9.  Snelheidsknop
 10.  Aan/uit-knop
 11.   Laag, Hoog ventilatorsnelheid
 12.   Aan/uit-lampje / Kinderslot
- F**
1. Schema voor het reinigen van filterschermen
- G**
1.  KNOP
Aan/uit-knop
 2.  KNOP
Druk op deze knop om de bedieningsmodus te selecteren.
 3.  KNOP
Voor het sequentieel selecteren van de ventilatorsnelheid
 4.  en  INSTELKNOPPEN
Voor het instellen van de kamertemperatuur en de timer.
 5.  KNOP
Voor het instellen of annuleren van de  bedieningsmodus.
 6.  KNOP
Voor het instellen van de tijd voor automatisch UIT en automatisch AAN
 7.  KNOP
Voor het instellen van de automatische pendelfunctie.
- H**
1. Draai beide uiteinden van de afvoerslang in de slangaansluiting.
- I**
1. Introductie installatie afvoerslang
- J**
1. Introductie installatie afvoerslang
- K**
1. Installatie van vensterschuifset
- L**
1. Afvoerslang aansluiten

FUNCTIE VAN DE BEDIENINGSMODI EN INSTALLATIEBESCHRIJVINGEN

A. Accessoires

Controleer na het uitpakken of de bovengenoemde accessoires zijn meegeleverd en controleer hun functie in de installatie-introductie in deze handleiding.

B. Mobiele airconditioner

J. Uiterlijk en functie van afstandsbediening.

Opmerkingen:- Laat de afstandsbediening niet vallen. - Leg de afstandsbediening niet op een plaats die is blootgesteld aan direct zonlicht.

M. Inleiding bediening

Voordat u begint met de handeling in deze sectie:

- 1) Zoek een plek in de buurt van een stopcontact.
- 2) Installeer de afvoerslang en stel de raampositie goed in.
- 3) Sluit de afvoerslang goed aan (alleen voor het gebruik van verwarmingsmodel);
- 4) Steek het netsnoer in een geaard stopcontact 220~240V/50Hz;
- 5) Druk op de AAN/UIT-knop om de airconditioner aan te zetten.

K&L. Introductie installatie afvoerslang

A) Tijdelijke installatie

1. Draai beide uiteinden van de afvoerslang in de slangaansluiting.
2. Steek de vierkante bevestigingsclip in de luchtuitlaat aan de achterkant van de airconditioner
3. Plaats het andere uiteinde van de afvoerslang bij de dichtstbijzijnde vensterbank.

N. Installatie van vensterschuifset

De installatiewijze van de vensterschuifset is meestal in "horizontaal" en "verticaal". Controleer volgens afb. 5 en afb. 5a, de min. en max. afmetingen van het venster vóór de installatie.

1. Installeer de vensterset op het venster;
2. Pas de lengte van de vensterschuifset aan op basis van de vensterbreedte of

-hoogte en bevestig deze met de deugel;
3. Plaats de vensteraansluiting in het gat van de vensterset.

O. Alarmfunctie interne tankwater vol
De interne watertank in de airconditioner heeft één veiligheidsschakelaar voor het waterniveau, deze regelt het waterniveau. Wanneer het waterniveau een ingesteld hoogte bereikt, gaat het indicatielampje water vol branden. Foutcode "E4" verschijnt op het display. (Als de waterpomp beschadigd is, wanneer de tank vol is, verwijder dan de rubberen stop aan de onderkant van de eenheid, en al het water zal buiten worden afgevoerd.)

Het is zeer belangrijk dat het filter regelmatig wordt gereinigd, anders kan de airconditioner zijn capaciteit verliezen en zelfs ernstig beschadigd raken.

H. Onderhoudsuitlegverklaring:

- 1) Zorg voordat u gaat schoonmaken ervoor dat de stekker uit het stopcontact is gehaald;
- 2) Gebruik geen benzine of andere chemicaliën om het apparaat schoon te maken;
- 3) Was apparaat niet rechtstreeks;
- 4) Als de airconditioner beschadigd is, neem dan contact op met de dealer of reparatiewerkplaats.

1. Luchtfilter

- Als het luchtfilter verstopt raakt met stof/ vuil, moet het luchtfilter eens in de twee weken worden gereinigd. -Uitnemen
Open de luchtinlaatrooster en haal het luchtfilter eruit.

-Schoonmaken

Reinig het luchtfilter met neutraal schoonmaakmiddel in handwarm water (40°C) en laat het drogen in de schaduw.

-Terugplaatsen

Plaats het luchtfilter in het inlaatrooster, vervang de componenten door dezelfde.

2. Schoonmaken buitenkant airconditioner.
Maak eerst het oppervlak schoon met een

neutraal schoonmaakmiddel en een natte doek, en veeg het vervolgens af met een droge doek.

E. Voor gebruik

Controleer of de uitlaatslang goed is gemonteerd.

Let op bij koelen en verwarmen: -Bij gebruik van afwisselend koelen en ontvochtigen moet een interval van ten minste 3 minuten worden aangehouden.
VOEDING.

-Power supply meets the requirements.

-The socket is for AC use.

-Do not share one socket with other appliances.

-Voeding voldoet aan de eisen.

-Het stopcontact is AC.

-Deel het stopcontact niet met andere apparaten.

-Voeding is AC220-240V, 50Hz

1. Het apparaat aanzetten

a) Steek de stekker in het stopcontact, het apparaat piept één keer, Het aan/uit-lampje brandt.

b) Druk op de knop "⏻" en dan gaat apparaat aan.

c) De LED geeft de kamertemperatuur weer en onder automatische modus.

2. Koelen

-Druk op de knop "Modus" totdat het pictogram "Koelen" verschijnt.

-Druk op de knop "+" of "-" om de gewenste kamertemperatuur te kiezen. (15°C -31°C)

-Druk op de knop "Ventilatorsnelheid" om de snelheid te selecteren.

3. Ontvochtigen Druk op de knop "Modus" totdat het pictogram "Ontvochtig" wordt weergegeven. -Stel de geselecteerde temperatuur automatisch in op de actuele kamertemperatuur minus 2°C .

-Zet de ventilatormotor automatisch op een LAGE luchtsnelheid.

4. Bediening ventilator

-Druk op de knop "Modus" totdat het pictogram "Ventilator" verschijnt.

-Druk op de knop "Ventilatorsnelheid" om de snelheid te selecteren.

5. Verwarmen (deze functie is niet

FUNCTIE VAN DE BEDIENINGSMODI EN INSTALLATIEBESCHRIJVINGEN

beschikbaar voor een uitsluitend koude unit) -Druk op de knop "Modus" totdat het pictogram "Verwarmen" wordt weergegeven.

-Druk op de knop "+" of "-" om de gewenste kamertemperatuur te kiezen. (15°C - 31°C)

-Druk op de knop "Ventilatorsnelheid" om de snelheid te selecteren.

6. ⌚ Timer

a) Druk op de knop "Timer" terwijl het apparaat draait om Tijd voor automatisch uit in te stellen.

b) Druk op de knop "Timer" terwijl het apparaat aanstaat om Tijd voor automatisch uit in te stellen.

c) De tijd kan worden instelbaar binnen een bereik van 1 uur tot 24 uur. Druk

op de knop temp omhoog "+" of temp

omlaag "-" om de tijd te verlengen of te verkorten met 1 uur per druk op de respectievelijke knop.

7. 😊 bedrijf

a) Het 😊 bedrijf is aan wanneer het apparaat in de ❄️ modus staat.

b) Druk op de 😊 knop in de ❄️ modus, het apparaat zal dan in de slaapstand werken en de bovenste centrifugale ventilator zal automatisch op lage snelheid draaien. De ingestelde temperatuur stijgt na een uur met 1°C en stijgt na twee uur met 2°C. Na zes uur stopt het apparaat met draaien.

8. 🔄 Operation

a) when the swing button is activated, the swing blade swings up and down automatically. If you want to stop, press the button again.

bedrijf

a) wanneer de pendelknop wordt geactiveerd, pendelt het richtblad automatisch omhoog en omlaag. Als u wilt stoppen, drukt u nogmaals op de knop.

Onderhoud

Reinig het apparaat met een zachte vochtige doek. Gebruik geen oplosmiddelen of sterke schoonmaakmiddelen omdat deze het oppervlak van het apparaat kunnen beschadigen.

Service

Als de airconditioner onderhoud nodig heeft, moet u eerst contact opnemen met uw lokale leverancier. U heeft een aankoopbewijs nodig voor alle garantieclaims.

Opslag aan het einde van het seizoen

1) Schroef het aftapdeksel los en trek de plug eruit om het condenswater volledig weg te laten lopen.

2) Laat het apparaat een halve dag in ventilatormodus draaien om de binnenkant ervan volledig te drogen en zo te voorkomen dat er schimmelvorming optreedt.

3) Schakel het apparaat uit, trek de stekker eruit en wikkel het netsnoer rond de draadwikkelpaal, steek de stekker in het universele bevestigingsgat in het achterpaneel van het apparaat, plaats de waterplug en het aftapdeksel.

4) Verwijder de warmteafvoerslang, reinig deze en bewaar deze op een goede manier.

Opmerking:

Houd de afvoerslang met beide handen vast tijdens het verwijderen.

Duw met uw duimen de klemmen op de afvoerslang opzij en trek vervolgens de afvoerslang eruit.

5) Verpak de airconditioner goed in een zachte plastic zak en plaats deze op een droge plek met passende stofbestendige maatregelen en houd het apparaat uit de buurt van kinderen.

6) Haal de batterijen uit de afstandsbediening en bewaar deze goed.

Opmerking:

Zorg dat het apparaat op een droge plaats wordt opgeslagen.

Alle toebehoren van het apparaat moeten goed worden beschermd.

Stroomkabelhouder en universeel stopcontact kunnen het netsnoer goed beschermen.

Hoge positie van afvoerluchtuitlaat, gemakkelijk monteren en snel ontlichten.

Intelligent, milieuvriendelijk en energiebesparend met zelfverdampend koelsysteem.

24-uurs timerfunctie, unieke aan/uit herinneringsmuziek.

3 minuten startvertraging ter bescherming van de compressor en andere meervoudige beschermingsfuncties.

Wifi-functie

1. Download en installeer de APP

De Woods Connect-app downloaden via de App Store of Google Play

1. Registreren/Inloggen/wachtwoord vergeten

Registreren

Als u geen app-account hebt, registreer u dan voor een account of meld u aan met een verificatiecode per SMS.

Op deze pagina wordt het registratieproces beschreven.

1. Tik om de registratiepagina in openen
2. Het systeem herkent automatisch uw land/regio. U kunt ook uw landcode selecteren. Voer het mobiele nummer/e-mailadres in en tik op "Volgende".
3. Als u het mobiele nummer invoert, voer daarna de verificatiecode uit het bericht in en voer het wachtwoord in. Tik op "bevestigen" om uw registratie te voltooien.
4. Als u de e-mail invoert, voert u het wachtwoord in en tikt u op "bevestigen" om uw registratie te voltooien.

2. Inloggen met gebruikersnaam en wachtwoord of verificatiecode via SMS

Inloggen met gebruikersnaam en wachtwoord

1. Het systeem herkent uw land/regio automatisch. U kunt ook uw landcode selecteren. Voer het mobiele nummer/e-mailadres in en tik op 'Volgende'
2. Voer uw geregistreerde mobiele nummer of e-mailadres en wachtwoord in om in te loggen.

Aanmelden met verificatiecode

1. Tik op "Inloggen met SMS-verificatie" op nieuwe pagina

2. Het systeem herkent automatisch uw land/regio. U kunt ook zelf uw landcode selecteren.

Wachtwoord vergeten

Als u uw wachtwoord bent vergeten, volgt u deze procedure:

1. Tik op "Wachtwoord vergeten"
2. het systeem herkent automatisch uw land/regio. U kunt ook zelf uw landcode selecteren. Voer het mobiele nummer/e-mailadres in en tik op "Volgende"
3. Voer de verificatiecode uit het bericht/e-mail in en voer het nieuwe wachtwoord in. Tik op "Bevestigen" om af te ronden.

Wifi Woods Connect ondersteunt de onderstaande functies:

Inschakelen/uitschakelen
 Koelingsmodus
 Ontvocht.modus
 Ventilatormodus
 Eco-modus
 Temperatuurinstellingen
 Snelheid: Laag, medium en hoog
 Timer: 1-24 u
 Slaap: Aan/uit
 Automatisch reinigen: Aan/uit
 Celsius/Fahrenheit
 Pendel: Aan/uit

3. Volg de procedures in de APP om wifi te gebruiken.

Smart Home

Als u een Smart Home-product hebt, voltooi dan stap 1 tot en met 3.

Toegang door derden: Tik op een spraakpictogram van een derde partij om te zien hoe u verbinding maakt met de service.

U ziet deze pictogrammen

Smart Home Woods Connect ondersteunt de onderstaande functies via spraakopdrachten:

Inschakelen/uitschakelen
 Temperatuurinstellingen
 Bedrijfsmodi
 Fan Modes

Ga voor meer informatie naar:

<https://woods.se/en/>

PROBLEEM	OORZAAK	ACTIE
Het apparaat start niet wanneer de aan/uit-knop wordt ingedrukt	Niet aangesloten / Stekker of stopcontact is beschadigd.	Steek de stekker in het stopcontact of vervang de stekker of het stopcontact.
	Zekering gesprongen	Vervang de zekering (3,15 A/250 AC)
	Kamertemperatuur is lager dan de insteltemperatuur. (Koelingsmodus)	Reset de temperatuur
Niet koel genoeg	De deuren of ramen zijn niet dicht.	Zorg ervoor dat alle ramen en deuren dicht zijn.
	Er zijn warmtebronnen in de kamer.	Verwijder indien mogelijk de warmtebronnen
	Luchtafvoerslang is niet aangesloten of geblokkeerd.	Sluit de luchtafvoerslang aan of reinig hem.
	Temperatuurinstelling is te hoog.	Reset de temperatuur
	Luchtinlaat is geblokkeerd.	Maak de luchtinlaat schoon.
Veel lawaai	De grond is niet gelijk of niet vlak genoeg	Plaats het apparaat indien mogelijk op een vlakke, gelijke ondergrond
	Het geluid komt van het stromen van het koelmiddel in de airconditioner	Het is normaal.

Als u problemen ondervindt met uw draagbare airconditioner, raadpleeg dan de probleemoplossing hieronder. Als niets van het onderstaande werkt, neem dan contact op met uw dealer voor onderhoud van uw airconditioner.

FOUTCODES	OORZAAK	ACTIE
E2-code	Storing kamertemperatuursensor of kapotte sensor.	Vervang kamertemperatuursensor
E3-code	Storing temperatuursensor verdamper.	Vervang temperatuursensor verdamper
E4-code	Waterreservoir vol	Leeg de watertank.

Garanties

2 jaar consumentengarantie tegen productiefouten. Houd er rekening mee dat de garantie alleen geldig is na overleg van de aankoopnota. De garantie is alleen geldig als het product wordt gebruikt in overeenstemming met de instructies en veiligheidswaarschuwingen die in deze handleiding staan aangegeven. De garantie dekt geen schade die wordt veroorzaakt door een onjuiste behandeling van het product.

OPMERKING: De 2 jaar garantie geldt alleen voor consumenten en niet voor commercieel gebruik van het apparaat.



LET OP:

Registreer u op www.warranty-woods.com en lees meer over hoe u aanspraak kunt maken op uitgebreide garantie. Ga naar www.woods.se voor

Aanbevolen gebruikslimieten

De beste omgevingstemperatuur voor koeling is 17-35°C en de optimale omgevingstemperatuur voor verwarming is 8-25°C. Het apparaat werkt tot +43°C. Zekering: ϕ 5,0x20mm 3,15 A, 250Vac

TECHNISCHE GEGEVENS	AC Milan 7K WIFI	AC Milan 9K WIFI	AC Como 12K WIFI
Koelvermogen	2000 W	2600 W	3500 W
Energieverbruik	750 W	950 W	1250W
Luchtdebiet:	350 m ³ /u	350 m ³ /u	380 m ³ /u
Energieklasse	A	A	A
Ontvochtigen	19 l/24 u	24 l / 24u	28,8 l/24 u
Temperatuurinstelling	15-31°C	15-31°C	15-31°C
Werktemperatuur	16-43°C	16-43°C	16-43°C
EER	2,6	2,6	2,6
Lengte afvoerslang	1,0 m	1,0 m	1,0 m
Slangdiameter	10 mm	10 mm	10 mm
Koelmiddel	R290/100g	R290/160g	R290/220g
Geluidsniveau in decibels	61dB	61dB	52 dB
Gewicht	22 kg	24 kg	25 kg
Afmetingen in mm, L x B x H	355x350x700	355x350x700	355x350x700

* Technische veranderingen en verbeteringen kunnen voorkomen. Alle waarden zijn bij benadering en kunnen variëren als gevolg van externe omstandigheden zoals temperatuur, ventilatie en luchtvochtigheid.



*Deze markering geeft aan dat dit product in de EU niet met andere huishoudelijke afvalstoffen mag worden verwijderd. Om eventuele schade aan het milieu of gezondheid door ongecontroleerde afvalverwijdering te vermijden, moet u het verantwoord recycleren om het duurzame hergebruik van grondstoffen te stimuleren. Als een consument, bij het afdanken van dit product, kunt u contact opnemen met uw handelaar of uw plaatselijke autoriteiten (plaatselijk bestuur, burgemeester enz.) om details te verkrijgen over het recycleren van dit product. Zij kunnen dit product accepteren voor milieuveilig recycleren.



*Gebruikte batterijen mogen niet met het huishoudelijk afval worden weggegooid aangezien ze giftige stoffen en zware metalen bevatten die schadelijk zijn voor het milieu en de gezondheid. Breng lege batterijen naar een geschikte recycling-faciliteit terug.

WOOD'S – DLA CZYSTEGO I ZDROWEGO POWIETRZA WEWNĘTRZNEGO

Marka Wood's narodziła się w rodzinie Woodów przed ponad 70 laty, w mieście Guelph w kanadyjskim stanie Ontario. Właśnie tam, w 1950 roku, firma Wood's zaczęła projektować i wytwarzać nawilzacze. Od tamtej pory urządzenia marki Wood's pomogły setkom tysięcy gospodarstw domowych uniknąć szkód, jakie mogłyby spowodować pleśniejąca wilgoć, i zadbać o oddychanie czystym powietrzem. Nasze przenośne klimatyzatory nadają się do użytku w większości stref klimatycznych: pracują wydajnie w różnych temperaturach i na różnych poziomach wilgotności otoczenia. Świetnie sprawdzają się w nagrzewających się pomieszczeniach i przestrzeniach, takich jak domowe salony i sypialnie oraz biura. Ilość gorącego powietrza odprowadzanego przez klimatyzator zależy od panującej temperatury oraz wilgotności i od miejsca ustawienia urządzenia. Na działanie klimatyzatora wpływać też mogą zewnętrzne warunki pogodowe.

Klimatyzatory Wood's są bezpieczne i przeznaczone do ciągłego użytkowania przez wiele lat.

JAK DZIAŁA KLIMATYZATOR?

Niskie ciśnienie zapewnia chłodne powietrze

Głównym elementem klimatyzatora jest czynnik chłodniczy, który w warunkach niskiego ciśnienia przeobraża się w gaz. W tym procesie „powstaje chłód”, przekazywany do wnętrza, podczas gdy ciepłe powietrze pozostaje na zewnątrz.

Ciekły czynnik chłodniczy przepływa przez zawór rozprężny i do przewodu rurowego, w którym panuje niskie ciśnienie.

Czynnik chłodniczy odparowuje i zmienia się w gaz. Proces ten pochłania ciepło z otoczenia – przewód rurowy schładza się. Wentylator nadmuchiwa chłodne powietrze do pomieszczenia. Gaz przepływa przez sprężarkę, która podwyższa ciśnienie i przekształca go w ciecz.

W tym procesie uwalnia się ciepło, odprowadzane do przewodów rurowych po przeciwległej stronie i wydmuchiwane na zewnątrz przez wentylator.

Termostat wyłącza urządzenie z chwilą, gdy temperatura powietrza wewnętrznego spada do odpowiednio niskiego poziomu.

1. OSTRZEŻENIA DOTYCZĄCE BEZPIECZEŃSTWA



Materiał łatwopalny. To urządzenie zawiera R290 / propan, który jest łatwopalnym czynnikiem chłodniczym.



Przeczytaj tę instrukcję, żeby zapoznać się z informacjami dotyczącymi bezpieczeństwa.



Przeczytaj instrukcję techniczną.



Przeczytaj instrukcję obsługi.

INFORMACJE DOTYCZĄCE BEZPIECZEŃSTWA

Przed instalacją i użytkowaniem urządzenia należy dokładnie zapoznać się z załączoną instrukcją obsługi. Producent nie ponosi odpowiedzialności, jeśli nieprawidłowy montaż i użytkowanie spowodują obrażenia ciała i szkody. Instrukcję obsługi urządzenia przechowuj zawsze razem z urządzeniem, żeby w razie potrzeby móc się do niej odwołać w przyszłości.

Bezpieczeństwo dzieci oraz osób szczególnie podatnych na zagrożenia

OSTRZEŻENIE 

Niebezpieczeństwo odniesienia obrażeń i trwałej utraty sprawności. Urządzenie będące przedmiotem tej instrukcji może być użytkowane przez dzieci w wieku od lat 8 wzwyż, przez osoby o ograniczonej sprawności ruchowej, sensorycznej bądź umysłowej oraz przez osoby niemające odpowiedniego doświadczenia tylko pod warunkiem, że podczas użytkowania pozostają pod nadzorem albo zostały uprzednio poinstruowane w zakresie bezpiecznego użytkowania urządzenia i rozumieją związane z tym zagrożenia. Nie zezwalać dzieciom na zabawę urządzeniem.

Dzieci poniżej 3 roku życia powinny być trzymane z dala od urządzenia, chyba że są pod stałym nadzorem. Przechowywać wszystkie opakowania z dala od dzieci. Dzieci nie mogą czyścić ani konserwować urządzenia bez nadzoru.

Bezpieczeństwo ogólne

Urządzenie będące przedmiotem niniejszej instrukcji jest przeznaczone do użytku domowego oraz w podobnych miejscach, takich jak: pokój dzienny, salon, kuchnie i pomieszczenia gospodarcze sklepów, biura oraz inne środowiska pracy. Tabliczka znamionowa znajduje się z boku lub z tyłu klimatyzatora. Otwory wentylacyjne nie mogą być zasłonięte. Procesu rozmrażania nie należy przyspieszać przy pomocy urządzeń mechanicznych ani żadnych środków innych niż zalecane przez producenta. Urządzenia nie wolno przechowywać w pomieszczeniach, gdzie pracują źródła zapłonu (np. nieosłonięty płomień, działające urządzenie gazowe lub działająca grzałka

elektryczna). Nie dziurawić i nie przypalać.

Należy pamiętać, że czynniki chłodnicze mogą być bezzapachowe. Nie czyścić urządzenia rozpyloną wodą ani parą. Czyścić urządzenie wilgotną, miękką ściereczką. Stosować wyłącznie detergenty obojętne. Nie używać substancji ściernych, szorstkich akcesoriów czyszczących, rozpuszczalników ani przedmiotów metalowych. W razie uszkodzenia przewodu zasilającego należy go wymienić u producenta, w autoryzowanym punkcie serwisowym lub u osób o podobnych kwalifikacjach, aby uniknąć zagrożenia.

INSTRUKCJE BEZPIECZEŃSTWA

Instalowanie

OSTRZEŻENIE

Tylko należycie wykwalifikowana osoba może zainstalować urządzenie. Usunąć wszystkie elementy opakowania. Urządzenia uszkodzonego nie instalować ani nie używać. Urządzenie powinno być zainstalowane, obsługiwane i przechowywane w pomieszczeniu o powierzchni podłogi większej niż 4,2 m² (7k), 7,7 m² (9k), 9,6 m² (12k). Zastosować się do instrukcji montażu dołączonej do urządzenia. Zawsze należy zachować ostrożność podczas przenoszenia urządzenia, ponieważ jest ciężkie. Zawsze nosić rękawice ochronne. Należy pamiętać, że czynniki chłodnicze mogą być bezzapachowe.

Dopilnować, żeby powietrze mogło krążyć wokół urządzenia.

Przed podłączeniem urządzenia do sieci należy odczekać co najmniej 4 godziny. Ma to na celu umożliwienie powrotu oleju do sprężarki. Nie instalować urządzenia w pobliżu

grzejników lub innych źródeł ciepła. Nie instalować urządzenia w miejscach bezpośrednio nasłonecznionych.

Podłączenie elektryczne

OSTRZEŻENIE

Niebezpieczeństwo pożaru i porażenia prądem elektrycznym. Urządzenie musi być podłączone do uziemionego gniazdka. Upewnić się, że informacje elektryczne zamieszczone na tabliczce znamionowej są zgodne z parametrami zasilania. W przeciwnym razie skontaktować się z elektrykiem. Należy zawsze używać prawidłowo zainstalowanego gniazda odpornego na wstrząsy. Nie należy używać adapterów i przedłużaczy wielogniazdowych. Uważać, aby nie uszkodzić elementów elektrycznych (np. wtyczki sieciowej, kabla sieciowego). W celu wymiany części elektrycznych należy skontaktować się z autoryzowanym punktem serwisowym lub elektrykiem. Kabel sieciowy musi znajdować się poniżej poziomu wtyczki sieciowej. Wtyczkę sieciową należy podłączać do gniazda sieciowego dopiero po zakończeniu instalacji. Po zakończeniu instalacji należy upewnić się, że wtyczka sieciowa jest podłączona do gniazdka. Nie ciągnąć za kabel sieciowy w celu odłączenia urządzenia. Zawsze ciągnąć za wtyczkę sieciową.

Użytkowanie

OSTRZEŻENIE

Niebezpieczeństwo obrażeń, oparzeń, porażenia prądem elektrycznym lub pożaru. Nie należy zmieniać specyfikacji urządzenia.

Uważać, aby nie uszkodzić obiegu czynnika chłodniczego. Zawiera on propan (R290), gaz ziemny o wysokim poziomie ekologiczności. Gaz ten jest łatwopalny.

Jeśli obieg czynnika chłodniczego ulegnie uszkodzeniu, należy upewnić się, że w pomieszczeniu nie ma płomieni ani źródeł zapłonu. Przewietrzyć pomieszczenie. Na urządzeniu ani w jego pobliżu nie wolno umieszczać przedmiotów łatwopalnych ani zwilżonych substancjami łatwopalnymi.

Utylizacja

OSTRZEŻENIE

Niebezpieczeństwo odniesienia obrażeń. Odłączyć urządzenie od zasilania sieciowego. Odłączyć kabel sieciowy i wyrzucić go. Obieg czynnika chłodniczego urządzenia jest przyjazny dla warstwy ozonowej. Aby uzyskać informacje na temat prawidłowego wyrzucania urządzenia, skontaktować się z władzami miasta. Nie wolno dopuścić do uszkodzenia części zespołu chłodzenia urządzenia położonej przy wymienniku ciepła.

KONFIGUROWANIE KLIMATYZATORA DO INSTALACJI

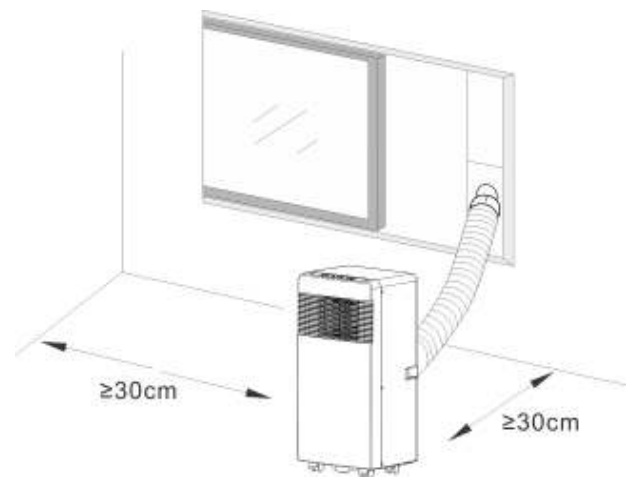
2. Instalowanie

PRZED PIERWSZYM UŻYCIEM

Przed wybraniem miejsca i użyciem pozostawić urządzenie na 2 godziny stojące pionowo.

Ważne

1. Klimatyzator można wygodnie przestawiać po pomieszczeniu. Podczas przenoszenia urządzenia należy trzymać je pionowo. Klimatyzator powinien zostać ustawiony na płaskim podłożu. Klimatyzatora nie należy ustawiać ani użytkować w łazience ani w innych wilgotnych przestrzeniach. Przeszawianie tego przenośnego klimatyzatora ułatwiają zamontowane w nim kółka. Kiedy robi się za gorąco, po prostu przynosisz przenośny klimatyzator do pomieszczenia i możesz w krótkim czasie zacząć chłodzić przestrzeń. Żeby praca klimatyzatora była możliwie jak najwydajniejsza, musi on pracować w zamkniętej przestrzeni. Zamknąć wszystkie drzwi, okna i inne otwory zewnętrzne pomieszczenia. Na sprawność klimatyzatora wpływa panująca temperatura oraz poziom wilgotności.
2. Klimatyzator należy umieścić w miejscu, które nie ogranicza przepływu powietrza przez przednią część urządzenia.
3. Klimatyzator działający w pomieszczeniu będzie miał niewielki lub żaden wpływ na suszenie przyległego zamkniętego obszaru składowania, takiego jak szafa, chyba że istnieje odpowiedni obieg powietrza do i z obszaru. Klimatyzator przenośny odprowadza ciepło z urządzenia przewodem wentylacyjnym przez okno lub przez zawór wywiewu.
4. Odległość między klimatyzatorem a najbliższym położonym obiektem powinna wynosić co najmniej 30 cm; zob. na ilustracji.
30 cm; zob. na ilustracji.



OPIS PRODUKTU

3. Opis produktu

- | | | |
|--|---|--|
| <p>A</p> <ol style="list-style-type: none"> 1. Przewód wywiewu powietrza 2. Złącze przewodu wywiewu powietrza 3. Łącznik okienny wywiewu 4. Pilot 5. Płyta przegrody 6. Korek do wody <p>B</p> <ol style="list-style-type: none"> 1. Zdjęcie przodu produktu <p>C</p> <ol style="list-style-type: none"> 1. Panel sterowania 2. Wylot zimnego powietrza 3. Odbiornik sygnału 4. Pilot 5. Uchwyt transportowy 6. Przewód wylotu powietrza 7. Wlot powietrza parownika 8. Główne złącze spustowe <p>D</p> <ol style="list-style-type: none"> 1. Zdjęcie wierzchu produktu <p>E</p> <ol style="list-style-type: none"> 1. Przycisk regulatora czasowego/zwiększenia temperatury 2. Przycisk -regulatora czasowego/zmniejszenia temperatury 3. Tryby: automatyczny, chłodzenia, osuszania i wentylatora 4. WIFI 5. Przycisk uśpienia i zabezpieczenia przed dziećmi 6. Wydmuch oscylacyjny 7. Przycisk regulatora czasowego 8. Przycisk trybu 9. Przycisk obrotów 10. Przycisk zasilania 11. Niskie i wysokie obroty wentylatora 12. O Wskaźnik zasilania/zabezpieczenia przed dziećmi | <p>F</p> <ol style="list-style-type: none"> 1. Schemat czyszczenia filtra <p>G</p> <ol style="list-style-type: none"> 1. PRZYCISK
Włączanie/wyłączanie zasilania. 2. PRZYCISK
Naciśnięcie tego przycisku umożliwia wybranie trybu pracy. 3. PRZYCISK
Służy do wybierania obrotów wentylatora w kolejności. 4. I PRZYCISKI USTAWIEŃ 5. Służą do regulacji temperatury pomieszczenia i nastawiania regulatora czasowego. 6. PRZYCISK
Służy do ustawiania lub anulowania trybu . 7. PRZYCISK
Służy do ustawiania czasu automatycznego wyłączenia i włączenia. 8. PRZYCISK
Służy do ustawiania wydmuchu oscylacyjnego. | <p>H</p> <ol style="list-style-type: none"> 1. Wprowadzenie do instalowania przewodu wywiewu <p>I</p> <ol style="list-style-type: none"> 1. Wprowadzenie do instalowania przewodu wywiewu <p>J</p> <ol style="list-style-type: none"> 1. Introduce installatie afvoerslang <p>K</p> <ol style="list-style-type: none"> 1. Instalowanie zestawu wstawki okiennej <p>L</p> <ol style="list-style-type: none"> 1. Podłączenie przewodu spustowego |
|--|---|--|

DZIAŁANIE POSZCZEGÓLNYCH TRYBÓW PRACY ORAZ OPISY INSTALACJI

A. Akcesoria

Po rozpakowaniu należy upewnić się, że dostarczone zostały wszystkie wymienione wyżej akcesoria, oraz sprawdzić ich przeznaczenie we wprowadzeniu do instalacji, które jest częścią niniejszej instrukcji.

B. Klimatyzator przenośny

J. Wygląd i działanie pilota.

Uwagi: — Nie upuszczać pilota. Nie pozostawiać pilota w miejscach bezpośrednio nasłonecznionych.

M. Wprowadzenie do obsługi

Przed przystąpieniem do czynności opisanych w tej części:

- 1) Znaleźć miejsce z łatwo dostępnym gniazdkiem.
- 2) Zainstalować przewód wywiewu i odpowiednio wyregulować okno.
- 3) Solidnie podłączyć przewód spustowy. (Dotyczy tylko modelu z funkcją ogrzewania).
- 4) Podłączyć przewód zasilający do uziemionego gniazdka prądu przemiennego 220–240 V, 50 Hz.
- 5) Nacisnąć przycisk POWER, żeby uruchomić klimatyzator.

K&L. Wprowadzenie do instalowania przewodu wywiewu

A) Instalacja tymczasowa

1. Wkręcić obydwa końce przewodu wywiewu w złącze przewodu giętkiego.
2. Wprowadzić kwadratowy zacisk mocujący do wylotu powietrza z tyłu klimatyzatora.
3. Umieścić drugi koniec przewodu wywiewu na parapecie obok.

N. Instalowanie zestawu wstawki okiennej

Zestaw wstawki okiennej instaluje się na ogół poziomo albo pionowo. Przed przystąpieniem do instalowania należy sprawdzić wymiary minimalne i maksymalne okna, wskazane na ilustracjach 5 i 5a.

1. Zainstalować w oknie zestaw okienny.

2. Wyregulować długość zestawu wstawki okiennej odpowiednio do szerokości lub wysokości okna, i przymocować go kołkiem.

3. Wprowadzić przewód łącznika okiennego w otwór w zestawie okiennym.

O. Funkcja alarmu wypełnienia wewnętrznego zbiornika wody
Wewnętrzny zbiornik wody klimatyzatora jest wyposażony w pojedynczy wyłącznik bezpieczeństwa, który kontroluje poziom wody. Kiedy woda osiąga wyznaczony poziom, podświetla się kontrolka wypełnienia wodą. Na wyświetlaczu pojawi się kod błędu „E4”. (Gdyby pompa wody uległa uszkodzeniu, to po wypełnieniu zbiornika wodą należy wyjąć gumowy korek znajdujący się na spodzie urządzenia, a cała woda wypłynie).

Bardzo ważne jest regularne czyszczenie filtra; w przeciwnym razie mogłoby nastąpić pogorszenie sprawności klimatyzatora, a nawet mogłoby dojść do jego poważnego uszkodzenia.

H. Uwagi dotyczące konserwacji:

- 1) Przed przystąpieniem do czyszczenia należy się zawsze upewnić, że urządzenie zostało odłączone od wszelkich źródeł zasilania prądem elektrycznym.
 - 2) Do czyszczenia urządzenia nie należy używać benzyny ani żadnych innych chemikaliów.
 - 3) Nie myć urządzenia w sposób bezpośredni.
 - 4) Gdyby doszło do uszkodzenia klimatyzatora, należy skontaktować się z dystrybutorem albo punktem naprawy.
1. Filtr powietrza
— Jeżeli filtr powietrza zatyka się kurzem lub pyłem, to należy go czyścić nie rzadziej niż raz na dwa tygodnie. — Wyjmowanie
Otworzyć kratkę wlotu powietrza i wyjąć filtr powietrza.
— Czyszczenie

Oczyścić filtr powietrza letnią wodą (40°C) z obojętnym środkiem czyszczącym, po czym zostawić do wyschnięcia w cieniu.

— Zakładanie

Wstawić filtr powietrza w kratkę wlotu, po czym z powrotem założyć wszystkie elementy w urządzeniu.

2. Czyszczenie powierzchni klimatyzatora
Najpierw oczyścić powierzchnię wilgotną szmatką z obojętnym środkiem czyszczącym, a następnie wytrzeć ją suchą szmatką.

E. Przed użyciem

Upewnić się, że przewód wywiewu jest zainstalowany prawidłowo.

Środki ostrożności dotyczące pracy w trybach chłodzenia i osuszania: — Podczas korzystania z funkcji chłodzenia oraz osuszania odczekać co najmniej 3 minuty między kolejnymi uruchomieniami (POWER).

— Dopilnować, żeby zasilanie odpowiadało specyfikacji.


— Wymagane jest gniazdko prądu przemiennego.

— Nie dzielić wykorzystywanego gniazdka z innymi urządzeniami elektrycznymi.

— Wymagane jest zasilanie prądem przemiennym 220–240 V, 50 Hz.

1. Włączanie urządzenia

a) Po podłączeniu do gniazda zasilania urządzenie wyemituje sygnał dźwiękowy, a wskaźnik zasilania zaświeci się.

b) Nacisnąć przycisk “”. Urządzenie zostanie włączone.

c) Wskaźnik LED wyświetli temperaturę pokojową, a urządzenie będzie działać w trybie automatycznym.

2. Praca w trybie chłodzenia

— Naciskać przycisk trybu (MODE), aż pojawi się ikona trybu chłodzenia (COOL).

— Ustawić żadaną temperaturę w pomieszczeniu, posługując się przyciskami

“+” i “-”.

(15°C–31°C)

— Wybrać obroty wentylatora, posługując się przyciskiem FAN SPEED.

DZIAŁANIE POSZCZEGÓLNYCH TRYBÓW PRACY ORAZ OPISY INSTALACJI

3. Praca w trybie osuszania Naciskać przycisk trybu (MODE), aż pojawi się ikona trybu osuszania (DEHUMIDIFY).

— Nastawa temperatury zostanie automatycznie wyregulowana do poziomu o 2°C niższego od temperatury aktualnie panującej w pomieszczeniu.

— Obroty wentylatora zostaną automatycznie przestawione do poziomu niskiego (LOW).

4. Praca w trybie wentylacji

— Naciskać przycisk trybu (MODE), aż pojawi się ikona trybu wentylacji (FAN).

— Wybrać obroty wentylatora, posługując się przyciskiem FAN SPEED.

5. Ogrzewanie (funkcja niedostępna w jednotrybowym urządzeniu do chłodzenia) — Naciskać przycisk trybu (MODE), aż pojawi się ikona trybu ogrzewania (HEAT).

— Ustawić żadaną temperaturę w pomieszczeniu, posługując się

przyciskami „+” i „-” .
(15°C–31°C)

— Wybrać obroty wentylatora, posługując się przyciskiem FAN SPEED.

6. ⌚ Działanie regulatora czasowego

a) Nacisnąć przycisk „Timer”, aby ustawić czas automatycznego wyłączenia podczas pracy urządzenia.

b) Nacisnąć przycisk „Timer”, aby ustawić czas automatycznego wyłączenia podczas gotowości urządzenia do użycia.

c) Czas można regulować w zakresie od 1 do 24 godzin. Jednokrotne

naciśnięcie przycisku zwiększenia „+” lub zmniejszenia temperatury „-” powoduje zwiększenie lub zmniejszenie czasu o 1 godzinę.

7. 😊 - obsługa trybu

a) Sprawne chłodzenie odbywa się, gdy urządzenie jest w ❄️ mode.

b) Po naciśnięciu przycisku 😊 w trybie urządzenie będzie działać w trybie uśpienia, a wentylator promieniowy

automatycznie obniży prędkość obrotową. Ustawiona temperatura wzrośnie o 1°C po godzinie i o 2°C po dwóch godzinach. Po sześciu godzinach urządzenie przestanie działać

8. 🔄 -obsługa trybu

a) Po włączeniu przycisku wydmuchu oscylacyjnego żaluzje będą automatycznie poruszać w górę i w dół. Aby je zatrzymać, należy nacisnąć ponownie ten przycisk.

Konserwacja

Wyczyścić urządzenie miękką wilgotną szmatką. Nie używać rozpuszczalników ani silnych środków czyszczących, gdyż ich stosowanie może uszkodzić powierzchnię urządzenia.

Obsługa serwisowa

Gdyby klimatyzator wymagał serwisu, należy skontaktować się z lokalnym detalistą. Przy składaniu roszczenia gwarancyjnego zawsze wymagany jest dowód zakupu.

instrukcje dotyczące przechowywania

Przechowanie z końcem sezonu użytkowego

1) Odkręcić osłonę spustu i wyciągnąć korek, aby spuścić zgromadzone skropliny.

2) Pozostawić urządzenie na pół dnia uruchomione w trybie wentylacji, żeby całkowicie osuszyć jego wnętrze i zapobiec jego zapleśnieniu.

3) Wyłączyć urządzenie, następnie wyjąć wtyk i owinać kabel zasilający wokół kolumnienki zwojowej, po czym wetknąć wtyk w uniwersalne gniazdo na panelu tylnym urządzenia, a także założyć korek wody i osłonę spustu.

4) Rozmontować zespół wywiewu (wyprowadzenia ciepła), oczyścić go i odpowiednio przechować.

Uwaga:

Przy wyjmowaniu zespołu przewodu wywiewu należy trzymać zespół obiema

rękami.

Zsunąć kciukami elementy mocujące na wylocie powietrza wywiewanego, a następnie wyciągnąć zespół przewodu wywiewu.

5) Zapakować klimatyzator w plastikowy worek i ustawić w suchym miejscu, które jest skutecznie chronione przed pyłem i kurzem, a także niedostępne dla dzieci.

6) Wyjąć baterie z pilota i przechować go w odpowiednim miejscu.

Uwaga:

Należy dopilnować, żeby urządzenie było przechowywane w suchym miejscu.

Wszystkie akcesoria do urządzenia należy zabezpieczyć razem w odpowiedni sposób.

Uchwyt kabla zasilającego i uniwersalne gniazdo skutecznie chronią kabel zasilający.

Wysoko położony wylot powietrza wywiewanego, łatwy montaż i wydajna wentylacja.

Urządzenie inteligentne, przyjazne dla środowiska i energooszczędne, z samowyparnym układem chłodzenia.

Regulator czasowy o zakresie do 24 godzin oraz unikalna melodia przypominająca o włączeniu lub wyłączeniu.

Zabezpieczenie 3-minutowym opóźnieniem ponownego uruchomienia sprężarki oraz szeregu innych funkcji ochronnych.

Funkcja Wi-Fi

1. Pobierz i zainstaluj aplikację

Pobranie aplikacji Woods Connect z App Store firmy Apple lub z Google Play

1. Rejestracja / Logowanie / Przypomnienie hasła

Rejestracja

Jeżeli nie masz konta w aplikacji, dokonaj rejestracji albo zaloguj się kodem weryfikacyjnym otrzymanym w SMS-ie.

Na tej stronie opisano proces rejestracji.

1. Kliknij, żeby przejść na stronę rejestracji.
2. System automatycznie rozpozna kraj lub region. Możesz też wybrać kod swojego kraju. Wprowadź swój numer telefonu komórkowego lub adres e-mail, po czym kliknij „Dalej”.
3. Jeżeli podany został numer telefonu komórkowego, wprowadź kod weryfikacyjny z SMS-a oraz hasło, po czym kliknij „Potwierdź”, żeby dokończyć rejestrację.
4. Jeżeli podany został adres e-mail, wprowadź hasło, po czym kliknij „Potwierdź”, żeby dokończyć rejestrację.

2. Zaloguj się nazwą użytkownika i hasłem lub kodem weryfikacyjnym z SMS-a

Logowanie nazwą użytkownika i hasłem

1. System automatycznie rozpozna kraj lub region. Możesz też wybrać kod swojego kraju. Wprowadź swój numer telefonu komórkowego lub adres e-mail, po czym kliknij „Dalej”.
2. Wprowadź zarejestrowany numer telefonu komórkowego lub adres e-mail oraz hasło.

Logowanie kodem weryfikacyjnym

1. Kliknij „Zaloguj się z weryfikacją SMS”. Nastąpi przeniesienie na nową stronę.
2. System automatycznie rozpozna kraj lub region. Możesz też wybrać kod swojego kraju samodzielnie.

Przypomnienie hasła

Jeżeli nie pamiętasz hasła, wykonaj następujące czynności:

1. Kliknij „Przypomnienie hasła”.
2. System automatycznie rozpozna kraj lub region. Możesz też wybrać kod swojego kraju samodzielnie. Wprowadź swój numer telefonu komórkowego lub adres e-mail, po czym kliknij „Dalej”.
3. Wprowadź kod weryfikacyjny z SMS-a lub maila oraz nowe hasło, po czym kliknij „Potwierdź”, żeby dokończyć odzyskiwanie dostępu.

WiFi Woods Connect obsługuje następujące funkcje:

Włączenie / Wyłączenie zasilania

Tryb chłodzenia

Tryb osuszania

Tryb wentylacji

Tryb ekologiczny

Ustawienia temperatury

Obroty: niskie, średnie i wysokie

Regulator czasowy: 1–24 h

Samoczynne wyłączenie: wł. / wył.

Samoczynne oczyszczanie: wł. / wył.

Stopnie Celsjusza / Fahrenheita

Kołysanie: wł. / wył.

3. Aby uaktywnić sterowanie przez Wi-Fi, postępuj zgodnie z instrukcjami wyświetlanymi w aplikacji.

Smart Home

Jeżeli posiadasz produkt Smart Home, wykonaj czynności od 1 do 3.

Usługa dostępu stron trzecich:

Kliknij ikonę dostępu stron trzecich, aby dowiedzieć się, jak połączyć się z usługą.

Szukaj następujących ikon:

Smart Home Woods Connect obsługuje sterowanie głosowe następującymi funkcjami:

Włączenie / Wyłączenie zasilania

Ustawienia temperatury

Tryby pracy

Tryby pracy wentylatora

Więcej informacji znajdziesz na naszej stronie:

<https://woods.se/en/>

PROBLEM	PRZYCZYNA	ROZWIĄZANIE
Urządzenie nie uruchamia się za naciśnięciem przycisku ON/OFF.	Urządzenie nie jest podłączone / uszkodzona wtyczka lub gniazdo.	Podłączyć lub wymienić wtyczkę lub gniazdo zasilania.
	Uszkodzony bezpiecznik	Wymienić bezpiecznik (3,15 A / 250 V prądu przemiennego)
	Temperatura w pomieszczeniu jest niższa od nastawy. (tryb chłodzenia)	Przestawić temperaturę.
Chłodzenie jest niewystarczające.	Drzwi lub okna nie są pozamykane.	Dopilnować pozamykania wszystkich okien i drzwi.
	W pomieszczeniu obecne są źródła ciepła.	W miarę możliwości usunąć źródła ciepła.
	Przewód powietrza wywiewanego jest niepodłączony albo niedrożny.	Odpowiednio podłączyć lub oczyścić przewód powietrza wywiewanego.
	Nastawa temperatury jest za wysoka.	Przestawić temperaturę.
	Wlot powietrza jest zablokowany.	Oczyścić wlot powietrza.
Wysoki poziom hałasu.	Podłoże jest nierówne albo niewystarczająco płaskie.	W miarę możliwości ustawić urządzenie na równym, płaskim podłożu.
	Słychać odgłos przepływu czynnika chłodniczego wewnątrz klimatyzatora.	To normalne.

Als u problemen ondervindt met uw preroesny klimatyzator, raadpleeg dan de probleemoplossing hieronder. Als niets van het onderstaande werkt, neem dan contact op met uw dealer voor onderhoud van uw airconditioner.

KODY BŁĘDU	PRZYCZYNA	ROZWIĄZANIE
Kod E2	Usterka lub uszkodzenie czujnika temperatury w pomieszczeniu.	Wymienić czujnik temperatury w pomieszczeniu.
Kod E3	Usterka czujnika temperatury parownika.	Wymienić czujnik temperatury parownika.
Kod E4	Zbiornik wody jest pełny.	Opróżnić zbiornik wody.

Gwarancje

2 lata gwarancji konsumenckiej na wady produkcyjne. Należy pamiętać, że gwarancja obowiązuje tylko pod warunkiem okazania dowodu zakupu. Gwarancja obowiązuje tylko w przypadku, gdy produkt jest używany zgodnie z instrukcją i ostrzeżeniami dotyczącymi bezpieczeństwa zawartymi w niniejszej instrukcji. Gwarancja nie obejmuje uszkodzeń spowodowanych niewłaściwą obsługą produktu.

UWAGA: 2-letnia gwarancja dotyczy wyłącznie konsumentów – nie stosuje się ona do komercyjnego użytku urządzenia.



UWAGA!

Dokonaj rejestracji produktu na stronie www.warranty-woods.com – stamtąd też dowiesz się, jak uzyskać gwarancję rozszerzoną. Więcej informacji

Zalecane warunki graniczne eksploatacji

Optymalną temperaturę otoczenia dla chłodzenia jest zakres od +17 do +35°C, a dla ogrzewania – od +8 do +25°C. Urządzenie pracuje w zakresie temperatur do +43°C. Parametry bezpiecznika: \varnothing 5,0

DANE TECHNICZNE	AC Milan 7K WIFI	AC Milan 9K WIFI	AC Como 12K WIFI
Moc chłodnicza	2000 W	2600 W	3500 W
Pobór mocy	750 W	950 W	1250 W
Przepływ powietrza	350 m ³ /h	350 m ³ /h	380 m ³ /h
Klasa energetyczna	A	A	A
Osuszanie	19 l / 24 godz.	24 l / 24 godz.	28,8 l / 24 godz.
Nastawa temperatury	15–31°C	15–31°C	15–31°C
Temperatura pracy	16–43°C	16–43°C	16–43°C
EER	2,6	2,6	2,6
Długość przewodu spustowego	1,0 m	1,0 m	1,0 m
Średnica przewodu spustowego	10 mm	10 mm	10 mm
Gazowy czynnik chłodniczy	R290/100 g	R290/160 g	R290/220 g
Poziom hałasu, w decybelach	61dB	61dB	52 dB
Masa	22 kg	24 kg	25 kg
Wymiary w milimetrach (dł. x szer. x wys.)	355x350x700	355x350x700	355x350x700

* Możliwe są zmiany i udoskonalenia techniczne. Wszystkie wartości są podane w przybliżeniu i mogą różnić się w zależności od warunków zewnętrznych, takich jak temperatura, wentylacja i wilgotność.

* To oznakowanie wskazuje, że produkt nie powinien być usuwany z innymi odpadami komunalnymi na terenie UE. W celu zapobieżenia ewentualnym szkodom dla środowiska lub zdrowia ludzkiego na skutek niekontrolowanej utylizacji odpadów urządzenie należy poddać recyklingowi w sposób odpowiedzialny, tak aby umożliwić ponowne wykorzystanie materiałów. Aby zwrócić urządzenie, należy postępować zgodnie z systemem zwrotu i odbioru lub skontaktować się ze sprzedawcą, u którego zakupiono produkt. Może on przyjąć ten produkt, aby poddać go bezpiecznemu recyklingowi.



* Zużytych baterii nie wolno wyrzucać razem ze śmieciami z gospodarstwa domowego, ponieważ mogą zawierać toksyczne pierwiastki i metale ciężkie, które mogą być szkodliwe dla środowiska i zdrowia ludzkiego. Wyczerpane baterie należy zwrócić do odpowiedniego zakładu recyklingu.

WOOD'S ESTE SINONIM CU AERUL CURAT ȘI SĂNĂTOS ÎN ÎNCĂPERI

Marca Wood's s-a născut acum peste 70 de ani, în orașul canadian Guelph din Ontario. Acolo a început Wood's, în 1950, să dezvolte și să fabrice dezumidificatoare. Între timp Wood's a ajutat sute de mii de familii să evite stricăciunile provocate de igrasie și să respire aer curat. Aparatele noastre de aer condiționat portabile se pot folosi în majoritatea zonelor climatice, capacitatea fiind foarte bună la diferite temperaturi și umidități. Acestea sunt folosite cu rezultate bune în spații care se supraîncălzesc: sufragerii, birouri și dormitoare. Cantitatea de aer fierbinte evacuată de aparat depinde de temperatură, umiditate și amplasare. Și condițiile meteorologice externe pot afecta performanțele aparatului de aer condiționat.

Aparatele de aer condiționat Wood's sunt sigure în funcționare și au fost concepute pentru a fi utilizate continuu, timp de mulți ani.

CUM FUNCȚIONEAZĂ APARATUL DE AER CONDIȚIONAT?

Presiunea mică înseamnă aer rece. Elementul principal al aparatului de aer condiționat este agentul frigorific. La presiune mică acesta se transformă în gaz. Procesul „face frig”, care se transmite spre interior, în timp ce aerul cald este evacuat. Agentul frigorific lichid trece printr-o valvă de expansiune și ajunge într-o conductă în care presiunea este redusă.

Agentul se evaporă și se transformă în gaz. Procesul absoarbe căldura din mediu, iar conducta se răcește. Un ventilator împinge aerul rece în încăpere. Gazul trece printr-un compresor, care îi crește presiunea și îl transformă din nou în lichid.

În acest proces se degajă căldură, care este condusă în direcție opusă și evacuată cu un ventilator.

În momentul în care aerul din interior este suficient de rece, un termostat oprește aparatul.

1. AVERTIZĂRI DE SIGURANȚĂ



Substanță inflamabilă. Acest aparat conține R290/ propan, un agent frigorific inflamabil.



Pentru informații despre siguranță, consultați acest manual.



Citiți manualul tehnic



Citiți manualul operatorului.

INFORMAȚII PRIVIND SIGURANȚA

Înainte de instalarea și utilizarea dispozitivului, citiți cu atenție instrucțiunile furnizate.

Producătorul nu va fi responsabil dacă instalarea și utilizarea incorectă va cauza vătămări și daune. Păstrați întotdeauna instrucțiunile împreună cu aparatul, pentru referință ulterioară.

Siguranța copiilor și a persoanelor vulnerabile

AVERTIZARE

Pericol de vătămare sau handicap permanent.

Acest aparat poate fi utilizat de copiii de cel puțin 8 ani și de persoanele cu capacități fizice, senzoriale sau mentale reduse ori lipsite de experiență și cunoștințe, cu condiția să fie supravegheate sau instruite cu privire la utilizarea

aparatului în condiții de siguranță și să înțeleagă pericolele implicate. Nu lăsați copiii să se joace cu aparatul.

Copiii cu vârsta mai mică de 3 ani ar trebui să fie ținuti la distanță, cu excepția cazului în care sunt supravegheați în continuu.

Păstrați toate ambalajele departe de copii.

Curățarea și întreținerea de către utilizator nu trebuie efectuate de copii nesupravegheați.

Siguranță generală

Acest aparat este destinat utilizării în locuințe și medii asemănătoare, cum ar fi: sufragerie, living, bucătăriile magazinelor, birourilor și ale altor spații. Plăcuța indicatoare este amplasată pe spatele aparatului de aer condiționat.

Păstrați zonele de refulare/ evacuare de aer libere.

Nu utilizați dispozitive mecanice sau alte mijloace pentru accelerarea procesului de dezghețare, altele decât cele recomandate de producător. Aparatul nu se va depozita într-o încăpere cu surse de aprindere în funcțiune (de exemplu, flăcări deschise, aparate cu gaz sau încălzitoare electrice în funcțiune). Nu străpungeți aparatul și nu-i dați foc.

Atenție: este posibil ca agenții frigorifici să nu aibă miros. Nu folosiți pulverizare cu apă și aburi pentru a curăța dispozitivul. Curățați dispozitivul cu o cârpă moale umedă. Utilizați numai

detergenți neutri. Nu folosiți produse abrazive, lavete abrazive, solvenți sau obiecte metalice. Dacă este deteriorat cablul de alimentare, acesta trebuie înlocuit de către producător, centrul autorizat de deservire sau persoane calificate în mod similar, pentru a evita pericolul

INSTRUCȚIUNI DE SIGURANȚĂ

Instalare

AVERTIZARE

Acest aparat trebuie să fie instalat de o persoană calificată.

Îndepărtați toate materialele de ambalare.

Nu instalați și nu folosiți aparatul dacă este deteriorat. Dispozitivul trebuie să fie instalat, operat și depozitat într-o încăpere cu o suprafață utilă mai mare de 4,2 m² (7k), 7,7 m² (9k), 9,6 m² (12k). Respectați instrucțiunile de instalare furnizate cu aparatul.

Aveți întotdeauna grijă atunci când mutați dispozitivul, deoarece acesta este greu. Purtați întotdeauna mănuși de protecție. Atenție: este posibil ca agenții frigorifici să nu aibă miros.

Asigurați-vă că aerul circulă liber în jurul aparatului.

Așteptați cel puțin 4 ore înainte de a conecta dispozitivul la sursa de alimentare. Acest lucru permite uleiului să curgă înapoi în compresor. Nu instalați dispozitivul în apropierea radiatoarelor sau a altor surse de căldură. Nu instalați aparatul în bătaia directă a razelor soarelui.

Conexiune electrică

AVERTIZARE

Pericol de incendiu și de electrocutare.

Aparatul trebuie să fie conectat la o priză cu împământare.

Asigurați-vă că sursa de curent respectă specificațiile electrice de pe plăcuța indicatoare. În caz contrar, contactați un electrician. Utilizați întotdeauna o priză rezistentă împotriva șocurilor instalată corect.

Nu utilizați adaptoare pentru multiple ștechere și cabluri prelungitoare.

Asigurați-vă că nu deteriorați componentele electrice (de ex. ștecher de alimentare, cablul de alimentare).

Contactați centrul autorizat de deservire sau un electrician pentru a schimba componentele electrice. Cablul de alimentare trebuie să fie sub nivelul ștecherului de alimentare. Conectați ștecherul de alimentare la priza electrică numai la sfârșitul instalării.

Asigurați-vă că există acces la ștecherul de rețea după instalare. Nu trageți cablul de alimentare pentru a deconecta dispozitivul. Trageți întotdeauna de ștecherul de alimentare.

Utilizare

AVERTIZARE

Pericol de vătămare, arsuri, electrocutare sau incendiu.

Nu modificați caracteristicile tehnice ale acestui dispozitiv.

Aveți grijă să nu provocați deteriorarea circuitului de agent frigorific. Acesta conține propan (R290), un gaz natural cu un nivel ridicat de compatibilitate cu mediul. Acest gaz este inflamabil.

Dacă s-a deteriorat circuitul de agent frigorific, asigurați-vă că în încăpere nu sunt flăcări și surse de aprindere. Ventilați încăperea. Nu puneți lângă aparat produse inflamabile sau obiecte umezite cu produse inflamabile.

Eliminare

AVERTIZARE

Pericol de vătămare.

Deconectați aparatul de la rețeaua de alimentare.

Tăiați cablul de alimentare și aruncați-l.

Circuitul de agent frigorific al acestui dispozitiv este prietenos cu stratul de ozon. Contactați autoritatea locală pentru a obține informații despre modul în care să aruncați corect dispozitivul. Aveți grijă să nu deteriorați partea unității de răcire aflată în apropierea schimbătorului de căldură.

PREGĂTIREA APARATULUI DE AER CONDIȚIONAT PENTRU INSTALARE

2. Instalare

ÎNAINTE DE PRIMA UTILIZARE

Înainte de amplasare, lăsați aparatul în poziție verticală timp de 2 ore

Important

1. Aparatul de aer condiționat se poate deplasa cu ușurință în încăpere. Țineți-l în poziție verticală în timp ce-l mișcați. Aparatul de aer condiționat trebuie așezat pe o suprafață plană.

Nu instalați și nu utilizați aparatul de aer condiționat în baie sau în alte medii umede.

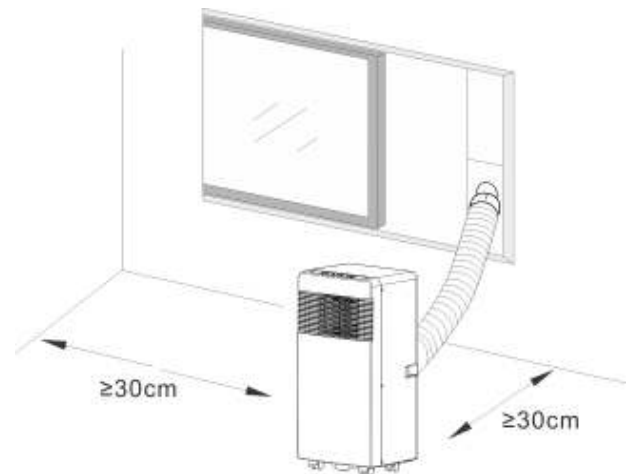
Aparatul de aer condiționat portabil are roți, ceea ce facilitează deplasarea. Dacă se face cald într-o încăpere, pur și simplu duceți acolo aparatul de aer condiționat și puteți începe imediat să răciți spațiul.

Pentru a funcționa cu randament optim, aparatul de aer condiționat trebuie utilizat în interior. Închideți toate ușile, ferestrele și celelalte deschideri ale încăperii. Randamentul aparatului de aer condiționat depinde de temperatură și de nivelul de umiditate.

2. Așezați aparatul de aer condiționat astfel încât aerul să circule liber prin partea frontală.

3. Funcționarea unui aparat de aer condiționat într-o încăpere nu influențează semnificativ uscarea unui spațiu de depozitare închis adiacent, cum ar fi un dulap, decât dacă aerul circulă liber spre și dinspre zonă. Aparatul de aer condiționat portabil evacuează căldura din unitate printr-un furtun de aerisire. Acesta se scoate prin deschizătura ferestrei sau printr-o valvă de evacuare.

4. Distanța dintre aparatul de aer condiționat și cel mai apropiat obiect trebuie să fie de cel puțin 30 cm. Consultați figura.



DESCRIEREA PRODUSULUI

3. Descrierea produsului

- A**
1. Conductă de evacuare a aerului
 2. Racordul conductei de evacuare a aerului
 3. Adaptor de fereastră pentru evacuare
 4. Telecomandă
 5. Placă deflector
 6. Dop de apă
- B**
1. Imaginea produsului văzut din față
- C**
1. Panoul de comandă
 2. Ieșire de aer rece
 3. Receptor de semnal
 4. Telecomandă
 5. Mâner pentru transport
 6. Furtun de evacuare a aerului
 7. Admisia de aer a evaporatorului
 8. Ștuț principal de scurgere
- D**
1. Imagine cu produsul văzut de sus
- E**
1. Buton de creștere pentru temporizator/temperatură
 2. Buton de reducere pentru temporizator/temperatură mai mică
 3. Răcire automată
Modul dezumidificare și ventilare
 4. WIFI
 5. Blocaj pentru noapte/siguranța copiilor
 6. Baleiere
 7. Butonul Temporizator
 8. Butonul Mod
 9. Butonul Viteză
 10. Butonul Pornire
 11. Viteză mare, mică a ventilatorului
 12. Indicator de pornire/blocaj pentru copii
- F**
1. Diagramă pentru curățarea sitei de filtru
- G**
1. BUTONUL
Pornire/oprire
 2. BUTONUL
Apăsați acest buton pentru a selecta modul de funcționare.
 3. BUTONUL
Se folosește pentru selectarea vitezei ventilatorului, în secvență.
 4. și BUTOANELE
 5. se folosesc pentru reglarea temperaturii în încăperea și a temporizatorului.
 6. BUTONUL
Se folosește la setarea sau anularea funcționării Mod.
 7. BUTONUL
Se folosește la setarea orei de OPRIRE, respectiv PORNIRE automată.
 8. BUTONUL
Se folosește la setarea baleierii automate.
- H**
1. Răsuciți cele două capete ale furtunului de evacuare ca să intre în racordul de furtun.
- I**
1. Introducere în instalarea furtunului de evacuare
- J**
1. Introducere în instalarea furtunului de evacuare
- K**
1. Instalarea kitului de fixare pe fereastră
- L**
1. Racordați furtunul de drenare

MODURILE DE FUNCȚIONARE ȘI DESCRIERILE OPERAȚIILOR DE INSTALARE

A. Accesorii

După despachetare, verificați dacă ați primit accesoriile menționate mai sus și verificați destinațiile acestora, în capitolul introductiv de instalare al acestui manual.

B. Aparat de aer condiționat portabil

J. Aspectul și funcționarea telecomenzii.

Observații: - Aveți grijă să nu scăpați telecomanda pe jos. Nu puneți telecomanda în locuri expuse luminii directe a soarelui.

M. Introducere în utilizare

Înainte de a începe operațiile descrise în această secțiune:

- 1) Căutați un loc potrivit, în apropierea unei surse de curent.
- 2) Instalați furtunul de evacuare și reglați poziția ferestrei.
- 3) Racordați furtunul de drenare (numai dacă utilizați modelul cu încălzire).
- 4) Introduceți cablul de alimentare într-o priză de curent alternativ 220~240 V/50 Hz, cu împământare.
- 5) Apăsăți butonul PORNIRE pentru a porni aparatul de aer condiționat.

K&L. Introducere în instalarea furtunului de evacuare

A) Instalarea temporară

1. Răsuciți cele două capete ale furtunului de evacuare ca să intre în racordul de furtun.
2. Introduceți clema de fixare pătrată în evacuarea de aer din spatele aparatului de aer condiționat.
3. Așezați celălalt capăt al furtunului de evacuare pe pervazul geamului din apropiere.

N. Instalarea kitului de fixare pe fereastră

Kitul de fixare pe fereastră se instalează „pe orizontală” sau „pe verticală”. Verificați dimensiunile minime și maxime ale ferestrei înainte de instalare, conform Fig. 5 și Fig. 5a.

1. Montați kitul pe fereastră.
2. Reglați kitul de fixare pe fereastră în funcție de lățimea sau înălțimea ferestrei,

apoi fixați cu pivotul.

3. Introduceți furtunul de racordare în orificiul din kitul pentru fereastră.

O. Funcția de alarmă de rezervor de apă intern plin

Rezervorul de apă intern al aparatului de aer condiționat are un întrerupător de siguranță pentru controlul nivelului de apă. Atunci când apa ajunge la nivelul prestabilit, se aprinde lumina indicatoare de rezervor plin. Pe afișaj apare codul de eroare „E4”. (Dacă pompa de apă este deteriorată și rezervorul s-a umplut, scoateți dopul de cauciuc din partea de jos a unității. Apa se va scurge în exterior.)

Este foarte important ca filtrul să fie curățat la intervale regulate. În caz contrar, aparatul de aer condiționat poate pierde din capacitate și chiar se poate deteriora grav.

H. Declarație privind explicațiile despre întreținere:

- 1) Aveți grijă să deconectați produsul de la toate sursele de curent electric înainte de a începe curățarea.
- 2) Nu curățați cu benzină sau cu alte substanțe chimice.
- 3) Nu spălați direct produsul.
- 4) Dacă aparatul de aer condiționat este deteriorat, luați legătura cu distribuitorul sau cu un atelier de reparații.

1. Filtru de aer

- Dacă filtrul de aer se înfundă cu praf/murdărie, acesta trebuie curățat o dată la două săptămâni. - Demontarea
Deschideți grilajul de admisie a aerului și scoateți filtrul de aer.

- Curățarea

Curățați filtrul de aer cu detergent neutru, în apă caldă (40 °C), apoi uscați-l la umbră.

- Montarea

Puneți filtrul de aer în grilajul admisiei și montați la loc componentele.

2. Curățați suprafețele aparatului de aer condiționat. Întâi curățați suprafețele cu


detergent neutru și o lavetă udă, apoi ștergeți-le cu o lavetă uscată.

E. Înainte de utilizare

Verificați dacă furtunul de evacuare este montat corect.

Atenție la operațiile de răcire și dezumidificare: - Dacă comutați între funcțiile de răcire și dezumidificare, așteptați cel puțin 3 minute între acestea.
- Priza de curent trebuie să respecte cerințele.
- Priza trebuie să fie de curent alternativ.
- Nu conectați alte aparate la aceeași priză.
- Sursa trebuie să alimenteze aparatul cu curent alternativ de 220-240 V, 50 Hz

1. Porniți produsul

- a) Conectați, produsul emite un bip, se aprinde indicatorul de alimentare.
- b) Apăsăți butonul „”, moment în care produsul este pornit.
- c) LED-ul indică temperatura din încăperea și în modul Automat.

2. Răcirea

- Apăsăți butonul „Mod” până când apare pictograma „Răcire”.
- Apăsăți butonul „+” sau „-” pentru a selecta temperatura de interior dorită. (15 °C - 31 °C)
- Apăsăți butonul „Viteza ventilatorului” pentru a selecta intensitatea curentului de aer.

3. Dezumidificarea Apăsăți butonul

„Mod” până când apare pictograma „Dezumidificare”. -- Temperatura selectată se setează automat la temperatura actuală minus 2°C.
- Motorul ventilatorului trece automat în viteza MICĂ.

4. Ventilarea

- Apăsăți butonul „Mod” până când apare pictograma „Ventilator”.
- Apăsăți butonul „Viteza ventilatorului” pentru a selecta intensitatea curentului de aer.

5. Încălzirea (această funcție nu este

MODURILE DE FUNCȚIONARE ȘI DESCRIERILE OPERAȚIILOR DE INSTALARE

disponibilă la aparatele doar-răcire) - Apăsați butonul „Mod” până când apare pictograma „Încălzire”.

- Apăsați butonul „+” sau „-” pentru a selecta temperatura de interior dorită. (15 °C - 31 °C)

- Apăsați butonul „Viteza ventilatorului” pentru a selecta intensitatea curentului de aer.

6. ⌚ Temporizatorul

a) Apăsați butonul „Temporizator” pentru a seta momentul opririi automate, cât timp aparatul este în funcțiune.

b) Apăsați butonul „Temporizator” pentru a seta momentul opririi automate, cât timp aparatul este pregătit.

c) Timpul se poate seta în intervalul 1 oră - 24 de ore. Apăsați butonul de creștere

a temperaturii „+” sau de reducere

a temperaturii „-” pentru a mări sau a reduce perioada cu 1 oră la fiecare apăsare.

7. 😊 Utilizare

a) Funcționarea 😊 este eficientă atunci când produsul este modul.

b) Apăsați butonul 😊 în ❄️ modul, Aparatul va funcționa în modul de noapte, iar ventilatorul centrifugal va trece automat la turație mică. Temperatura setată va crește cu 1 °C după o oră și cu 2 °C după două ore. După șase ore aparatul se oprește.

8. ⚙️ Utilizare

a) la activarea butonului de baleiere placa de baleiere începe să se balanseze automat în sus și în jos. Dacă doriți să opriți această funcție, apăsați din nou butonul.

Întreținere

Curățați aparatul cu o cârpă moale, umezită. Nu folosiți solvenți sau agenți de curățare agresivi: aceștia pot deteriora suprafața aparatului.

Service

Dacă aparatul de aer condiționat necesită o intervenție de service, contactați întâi distribuitorul local. Cererile în garanție trebuie să fie însoțite de dovada achiziției.

Instrucțiuni de depozitare

Depozitarea la sfârșitul sezonului

1) Deșurubați capacul de scurgere și scoateți dopul pentru a scurge toată apa de condens.

2) Țineți aparatul în funcțiune o jumătate de zi în modul ventilator, pentru ca interiorul să se usuce complet. Acest lucru previne formarea de mucegai.

3) Opriți aparatul, scoateți ștecherul din priză și înfășurați cablul pe suport, introduceți ștecherul în orificiul de fixare universal de pe panoul din spate, instalați dopul de apă și capacul de scurgere.

4) Scoateți ansamblul furtunului de evacuare a aerului fierbinte. Curățați-l și păstrați-l în condiții corespunzătoare.

Observații:

Atunci când îndepărtați ansamblul furtunului de evacuare, țineți-l cu ambele mâini.

Împingeți la o parte fixatoarele evacuării de aer, cu degetele mari, apoi scoateți ansamblul furtunului de evacuare.

5) Ambalați corespunzător aparatul de aer condiționat, într-o pungă de plastic. Depozitați-l într-un loc uscat, fără praf. Nu-l lăsați la îndemâna copiilor.

6) Scoateți bateriile din telecomandă și depozitați-o corect.

Observație:

Asigurați-vă că aparatul este depozitat într-un loc uscat.

Toate accesoriile aparatului trebuie protejate corespunzător, împreună. Suportul de cablu și priza universală asigură o protecție corespunzătoare a cablului de alimentare.

Poziție înaltă a evacuării de aer, asamblare ușoară și aerisire rapidă.

Inteligent, ecologic și economic, datorită sistemului de răcire cu evaporare.

Funcție de temporizator de 24 de ore, muzică de reamintire unică la pornire/oprire.

Întârziere de 3 minute pentru protecția compresorului și alte funcții de protecție.

Funcția WiFi

1. Descărcați și instalați aplicația

Descărcați aplicația Woods Connect din App Store sau din Google Play

1. Înregistrare/Conectare/Parolă uitată

Înregistrare

Dacă nu aveți un cont de aplicație, creați unul sau conectați-vă cu codul de verificare trimis prin SMS.

Această pagină descrie procesul de înregistrare.

1. Atingeți pentru a accesa pagina de înregistrare.

2. Sistemul recunoaște automat țara/zona. De asemenea, puteți să selectați codul de țară. Introduceți numărul de telefon mobil/adresa de e-mail, apoi atingeți „Next” (Următorul).

3. Dacă introduceți numărul de telefon mobil, tastați codul de verificare din mesaj și introduceți parola, atingeți „Confirm” (Confirmare) pentru a finaliza înregistrarea.

4. Dacă introduceți adresa de e-mail, tastați parola și atingeți „Confirm” (Confirmare) pentru a finaliza înregistrarea.

2. Conectați-vă cu numele de utilizator și cu parola sau cu codul de verificare trimis prin SMS

Conectarea cu numele de utilizator și cu parola

1. Sistemul recunoaște automat țara/zona. De asemenea, puteți să selectați codul de țară. Introduceți numărul de telefon mobil/adresa de e-mail și atingeți „Next” (Următorul).

2. Pentru a vă conecta, introduceți numărul de telefon mobil/e-mailul înregistrat, precum și parola.

Conectarea cu cod de verificare

1. Atingeți „Sign in with SMS verification” (Conectare cu verificare prin SMS) în noua pagină.

2. Sistemul recunoaște automat țara/zona.

De asemenea, puteți să selectați codul de țară.

Parolă uitată

Dacă v-ați uitat parola, urmați procedura de mai jos:

1. Atingeți „Forgot password” (Am uitat parola).

2. Sistemul recunoaște automat țara/zona. De asemenea, puteți să selectați codul de țară. Introduceți numărul de telefon mobil/adresa de e-mail, apoi atingeți „Next” (Următorul).

3. Introduceți codul de verificare din SMS/e-mail și tastați noua parolă, apoi atingeți „Confirm” (Confirmare) pentru a finaliza.

WiFi Woods Connect acceptă funcțiile de mai jos:

Pornire/oprire

Modul de răcire

Modul de dezumidificare

Modul ventilator

Modul Eco

Setările de temperatură

Viteza: redusă, media și ridicată

Temporizator: 1-24 h

Noapte: Pornit/oprit

Curățare automată: Pornit/oprit

Celsius/Fahrenheit

Baleiere: Pornit/oprit

3. Urmăți procedurile din aplicație pentru a beneficia de WiFi.

Smart Home

Dacă aveți un produs Smart Home, parcurgeți pașii de la 1 la 3.

Serviciu de acces la terțe părți:

atingeți pictograma unui serviciu vocal al unei terțe părți pentru a afla cum puteți să vă conectați la serviciul respectiv.

Căutați aceste pictograme

Smart Home Woods Connect acceptă comenzile vocale pentru următoarele funcții:

Pornire/oprire

Setări de temperatură

Moduri de operare

Fan Moduri

Pentru informații suplimentare vizitați:

<https://woods.se/en/>

PROBLEMĂ	CAUZĂ	SOLUȚIE
Aparatul nu pornește la apăsarea butonului de pornire/oprire	Aparatul nu este conectat la curent/ștecher sau priză deteriorată.	Conectați aparatul la curent sau înlocuiți ștecherul sau priza.
	Siguranță arsă	Schimbați siguranța (3,15 A / 250 V c.a.)
	Temperatura în încăpere este mai mică decât cea setată. (modul de răcire)	Resetați temperatura.
Răcire insuficientă	Ușile sau ferestrele nu sunt închise.	Asigurați-vă că toate ferestrele și ușile sunt închise.
	Sunt surse de căldură în încăpere.	Dacă este posibil, îndepărtați sursele de căldură.
	Furtunul de evacuare a aerului cald nu este racordat sau este blocat.	Racordați sau curățați furtunul de evacuare a aerului.
	Temperatura este setată la o valoare prea ridicată.	Resetați temperatura.
	Admisia de aer este blocată.	Curățați admisia de aer.
Nivel ridicat de zgomot	Podeaua nu este orizontală sau nu este uniformă	Așezați aparatul pe podea orizontală și uniformă.
	Se aude zgomotul circulației agentului de răcire în interiorul aparatului de aer condiționat.	Este normal.

Dacă aveți probleme cu aparat de aer condiționat portabil, consultați indicațiile de depanare de mai jos. Dacă niciuna dintre măsurile descrise mai jos nu dă rezultate, contactați distribuitorul pentru a solicita o intervenție de service asupra aparatului de aer condiționat.

CODURI DE EROARE	CAUZĂ	SOLUȚIE
Cod E2	Senzorul pentru temperatura din încăpere este defect sau deteriorat.	Înlocuiți senzorul pentru temperatura din încăpere
Cod E3	S-a defectat senzorul de temperatură din evaporator.	Înlocuiți senzorul de temperatură din evaporator
Cod E4	Rezervor de apă plin	Goliți rezervorul de apă.

Garanții

Consumatorul beneficiază de garanție de 2 ani pentru defectele de producție. Rețineți: garanția este valabilă numai cu prezentarea chitanței. Garanția este valabilă numai dacă produsul este utilizat în conformitate cu instrucțiunile și avertizările de siguranță menționate în acest manual. Garanția nu acoperă deteriorările provocate de manipularea incorectă a produsului.

OBSERVAȚIE: Garanția de 2 ani este valabilă numai în cazul consumatorilor, nu și în cazul utilizării comerciale a aparatului.



OBSERVAȚIE!

Înregistrați-vă la adresa www.warranty-woods.com și aflați cum puteți beneficia de garanție extinsă. Pentru informații suplimentare vizitați www.woods.se.

Limite recomandate pentru utilizare

Temperatura ambientală optimă pentru răcire este de 17-35 °C, iar cea pentru încălzire este de 8-25 °C. Aparatul funcționează la temperaturi de până la +43 °C. Siguranță Parametri: $\phi 5,0 \times 20$ mm 3,15 A, 250 V c.a.

DATE TEHNICE	AC Milan 7K WIFI	AC Milan 9K WIFI	AC Como 12K WIFI
Capacitate de răcire	2000 W	2600 W	3500 W
Consum de putere	750 W	950 W	1250 W
Debit de aer:	350 m ³ /h	350 m ³ /h	380 m ³ /h
Clasa energetică	A	A	A
Dezumidificare	19 l / 24 h	24 l / 24h	28,8 l / 24 h
Setare de temperatură	15 - 31 °C	15 - 31 °C	15 - 31 °C
Temperatură de funcționare	16 - 43°C	16 - 43°C	16 - 43°C
EER	2,6	2,6	2,6
Lungime furtun de scurgere	1,0 m	1,0 m	1,0 m
Diametru furtun de scurgere	10 mm	10 mm	10 mm
Gaz frigorific	R290/100 g	R290/160 g	R290/220 g
Nivel de zgomot în decibeli	61dB	61dB	52 dB
Greutate	22 kg	24 kg	25 kg
Dimensiuni în mm, L x l x İ	355 x 350 x 700	355 x 350 x 700	355 x 350 x 700

*Pot apărea modificări și îmbunătățiri tehnice. Toate valorile sunt aproximative și pot varia în funcție de circumstanțe exterioare, cum ar fi temperatura, ventilația și umiditatea.

*Acest marcaj indică faptul că produsul nu trebuie eliminat cu alte deșeuri menajere, prevedere valabilă în întreaga UE. Pentru a preveni eventualele prejudicii aduse mediului sau sănătății umane din cauza eliminării necontrolate a deșeurilor, reciclați aparatul în mod responsabil pentru a promova reutilizarea durabilă a resurselor materiale. Pentru a ne returna dispozitivul dvs., vă rugăm să utilizați sistemele de colectare și returnare sau să contactați distribuitorul de la care a fost achiziționat produsul. Acesta poate prelua acest produs în vederea reciclării în condiții de siguranță a mediului.



*Bateriile uzate nu trebuie aruncate împreună cu gunoiul menajer, deoarece ele pot conține elemente toxice și metale grele care pot fi dăunătoare pentru mediu și pentru sănătatea umană. Returnați bateriile goale către o facilităate adecvată pentru reciclare.

WOOD'S PUHDISTAA SISÄILMAN JA TUKEE HYVINVOINTIA

Wood's tuotemerkin perusti Woodsin perhe yli 70 vuotta sitten Kanadassa, Guelphin kaupungissa Ontariossa. Wood's alkoi kehittää ja valmistaa kosteudenpoistajia vuonna 1950. Wood's on vuosikymmenten ajan auttanut useita satoja tuhansia kotitalouksia estämään kosteus- ja homevaurioita ja puhdistamaan sisäilmaa. Siirrettävät ilmastointilaitteemme soveltuvat käytettäväksi useimmissa ilmastoissa, ja toimintakyky on hyvä eri lämpötiloissa ja kosteustasoilla. Laitteita käytetään hyvin tuloksin tiloissa, joita halutaan viilentää, kuten olohuoneissa, toimistoissa ja makuuhuoneissa. Ilmastointilaitteen poistaman kuumen ilman määrä riippuu lämpötilasta, kosteustasosta ja laitteen sijainnista. Myös ulkoiset sääolosuhteet saattavat vaikuttaa ilmastointilaitteen toimintaan.

Wood'sin ilmastointilaitteita voidaan käyttää turvallisesti ja jatkuvasti useiden vuosien ajan.


MITEN ILMASTOINTILAITE TOIMII?

Matala paine tuottaa viileää ilmaa. Ilmastointilaitteen tärkeä osa on jäädytysneste, joka muuntuu matalassa paineessa kaasuksi. Prosessi "tuottaa kylmää", joka välitetään sisäänpäin, ja samalla lämmin ilma pidetään ulkona. Nestemäinen kylmäaine kulkee paisuntaventtiilin läpi ja putkeen, jossa on matala paine. Kylmäaine haihtuu ja muuttuu kaasuksi. Prosessi imee lämpöä ympäristöstä ja jäädyttää putkiston. Puhallin puhalttaa viileää ilmaa huoneeseen. Kaasu kulkee kompressorin läpi, mikä nostaa painetta ja muuntaa kaasun nesteiksi. Prosessissa vapautuu lämpöä, joka johdetaan putkiin vastakkaisella puolella ja puhalletaan ulos. Termostaatti sammuttaa laitteen, kun sisäilma on riittävän viileää.

1. TURVALLISUUSVAROITUKSET



Tulenarkaa materiaalia. Laite sisältää R290-propania, joka on helposti syttyvä kylmäaine.

 Katso turvallisuustiedot tästä käsikirjasta.


 Lue tekninen käsikirja

 Lue käyttäjän käsikirja.

TURVALLISUUSTIEDOT

Lue mukana toimitetut ohjeet huolellisesti ennen laitteen asentamista ja käyttöä. Valmistaja ei ole vastuussa, jos virheellinen asennus ja käyttö aiheuttavat vammoja ja vahinkoja. Säilytä ohjeet aina laitteen kanssa myöhempää käyttöä varten.

Lasten ja toimintakyvyltään heikkojen ihmisten turvallisuus

VAARA  Vamman tai pysyvän vamman riski. Vähintään 8-vuotiaat lapset sekä henkilöt, joilla on heikentynyt fyysinen, psyykinen tai henkinen toimintakyky tai vähän kokemusta tai osaamista, voivat käyttää laitetta, jos heille on annettu ohjeet laitteen turvallisesta käytöstä ja he ymmärtävät käytön riskit.

Älä anna lasten leikkiä laitteella.

Alle 3-vuotiaat lapset on pidettävä loitolla laitteesta, ellei heitä valvota jatkuvasti.

Säilytä kaikki pakkausmateriaalit poissa lasten ulottuvilta. Lapset eivät saa puhdistaa laitetta tai tehdä ylläpitotoimia ilman valvontaa.

Yleinen turvallisuus

Tämä laite on tarkoitettu kotitalouksiin ja muihin vastaaviin tiloihin, kuten: Olohuoneet, oleskelutilat, henkilökunnan keittiötilat myymälöissä, toimistoissa ja muissa työtiloissa. Arvokilpi sijaitsee ilmastointilaitteen takana tai sivulla. Älä peitä tuuletusaukkoja.

Älä nopeuta sulatusprosessia käyttämällä mekaanisia laitteita tai muita keinoja, paitsi valmistajan suosittelemia.

Laitetta ei saa säilyttää huoneessa, jossa on toimivia sytytyslähteitä, esim. avotuli tai käynnissä oleva kaasulaite tai sähkölämmitin. Ei saa puhkaista tai polttaa.

Huomaa, että kylmäaineissa ei välttämättä ole tuoksua. Älä puhdistaa laitetta vesisuihkulla tai -höyryllä. Puhdistaa laite kostealla pehmeällä liinalla. Käytä vain neutraaleja pesuaineita. Älä käytä hankaavia tuotteita, hankaavia puhdistus tynnyjä, liuottimia tai metalliesineitä.

Jos virtajohto vahingoittuu, valmistajan, sen valtuuttaman huollon tai vastaavan pätevän henkilön on vaihdettava johto vaaran välttämiseksi

TURVALLISUUSOHJEET

Asennus

VAARA

Laitteen saa asentaa vain pätevä henkilö.

Poista kaikki pakkausmateriaalit. Älä asenna tai käytä vahingoittunutta laitetta. Laitteen asennus-, käyttö- ja varastointitilan pinta-alan on oltava suurempi kuin 4,2 m²(7k), 7,7 m²(9k), 9,6 m²(12k). Noudata laitteen mukana toimitettuja asennusohjeita. Ole varovainen, kun siirät laitetta, koska se on raskas. Käytä aina suojakäsineitä. Huomaa, että kylmäaineissa ei välttämättä ole tuoksua.

Varmista, että ilma voi vaihtua laitteen ympäriellä.

Odota vähintään 4 tuntia, ennen kuin kytket laitteen virtalähteeseen. Odotusaikana öljy virtaa takaisin kompressoriin. Älä asenna laitetta lämpöpattereiden tai muiden lämmönlähteiden lähelle. Älä asenna laitetta suoraan auringonvaloon.

Sähköturvallisuus

VAARA

Tulipalon ja sähköiskun vaara. Laitte on kytkettävä maadoitettuun pistorasiaan. Varmista, että virtalähde vastaa arvokilven sähkötietoja. Jos ei, ota yhteyttä sähköasentajaan.

Käytä aina oikein asennettua iskunkestävää pistorasiaa. Älä käytä monen pistorasian jakajia

tai jatkojohtoja.

Varmista, ettei mikään aiheuta vaurioita sähkökomponenteille (esim. verkkovirtapistoke, verkkovirtajohto).

Ota yhteyttä valtuutettuun huoltoon tai sähköasentajaan, jos sähkökomponentteihin on tarpeen tehdä muutoksia. Virtajohtoon tulee olla alempana kuin pistoke. Kytke verkkovirtapistoke pistorasiaan vasta asennuksen jälkeen. Varmista, että pistokkeelle on vapaa pääsy asennuksen jälkeen. Älä irrota virtajohtoa johdosta vetämällä. Vedä aina pistokkeesta.

Käyttö

VAARA

Vamman, palovamman, sähköiskun ja tulipalon vaara. Älä muuta laitteen teknisiä määrittämiä. Varo vahingoittamasta kylmäainepiiriä. Se sisältää propaania (R290), luonnollista kylmäainetta, jonka ympäristövaikutukset ovat vähäiset. Kaasu on helposti syttyvää.

Jos kylmäainepiiri vahingoittuu, varmista, että tilassa ei ole avotulta tai sytytyslähteitä. Tuuleta tila. Älä laita tulenarkoja tuotteita tai helposti syttyvällä tuotteella kostutettuja esineitä laitteen lähelle tai päälle.

Hävittäminen

VAARA

Vamman vaara. Irrota laite verkkovirrasta. Katkaise virtajohto ja hävitä se. Laitteen kylmäainepiiri ei vahingoita otsonikerrosta. Kysy kunnan viranomaisilta ohjeet laitteen asianmukaisesta hävittämisestä. Älä vahingoita lämmönvaihtimen lähellä olevaa jäähdytysyksikön osaa.

ILMASTOINTILAITTEEN VALMISTELU ASENNUSTA VARTEN

2. Asennus

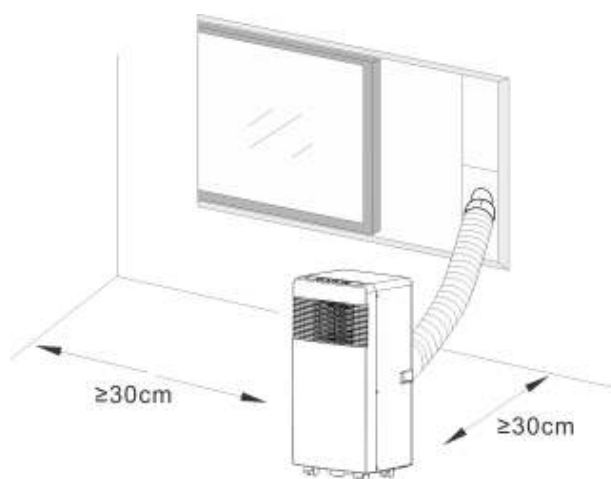
ENNEN ENSIMMÄISTÄ KÄYTTÖÄ

Anna laitteen olla pystyasennossa 2 tuntia ennen käyttöä

Paikan valinta

Tärkeää

1. Ilmastointilaitetta on kätevää siirtää sisätiloissa pystyasennossa. Ilmastointilaitte on sijoitettava tasaiselle alustalle.
Älä asenna ilmastointilaitetta kylpyhuoneeseen tai muihin märkätiloihin.
Ilmastointilaitetta on helppo siirtää pyörien ansiosta. Kun on liian kuumaa, voit helposti viedä siirrettävän ilmastointilaitteen tilaa ja saada sen nopeasti viileämmäksi. Ilmastointilaitte toimii parhaiten suljetussa tilassa. Sulje kaikki ovet, ikkunat ja muut ulkotilaan vievät aukot. Ilmastointilaitteen tehokkuus riippuu lämpötilasta ja kosteustasosta.
2. Sijoita ilmastointilaitte paikkaan, jossa ilma voi virrata vapaasti laitteen etupuolella.
3. Kun ilmastointilaitetta käytetään huoneessa, se ei juurikaan vaikuta tilassa oleviin suljettuihin säilytystiloihin, esim. komeroihin, ellei kyseisessä tilassa ole riittävää ilmanvaihtoa sisään ja ulos. Siirrettävä ilmastointilaitte poistaa kuumaa ilmaa ikkunasta vietävällä letkulla tai poistoilmaventtiilin kautta.
4. Ilmastointilaitte on sijoitettava vähintään 30 cm:n päähän lähimmästä kohteesta. Katso kuva.



TUOTTEEN KUVAUS

3. Tuotteen kuvaus

A

1. Ilmanpoistoputki
2. Ilmanpoistoputken liitin
3. Ikkunan poistosovitin
4. Kaukosäädin
5. Ohjauslevy
6. Vesitulppa

B

1. Tuotekuva edestä








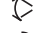



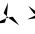




C

1. Ohjauspaneeli
2. Kylmän ilman poistoaukko
3. Signaalin vastaanotin
4. Kaukosäädin
5. Kuljetuskahva
6. Ilman poistoletku
7. Haihduttimen ilmanottoaukko
8. Ensisijainen tyhjennysaukko

D

1. Tuotekuva ylhäältä









E

1.  Ajastin / Lämpötilan nostopainike
2.  Ajastin / Lämpötilan laskupainike
3.     Automaattinen viilennys
Kosteudenpoisto- ja puhallustila
4.  WIFI
5.  Lepotila- ja lapsilukkopainike
6.  Kääntötoiminto
7.  Ajastinpainike
8.  Tilapainike
9.  Nopeuspainike
10.  Virtapainike
11.   Hidas, nopea puhaltimen nopeus
12.   Virran merkkivalo / Lapsilukko

F

1. Kaavakuva suodatinritilän puhdistamisesta

G

1.  PAINIKE
Virta päälle/pois
2.  PAINIKE
Valitse toimintatila tällä painikkeella.
3.  PAINIKE
Puhaltimen nopeuden valinta järjestyksessä.
4.  ja  ASETUSPAINIKKEET
käytetään huonelämpötilan ja ajastimen säätämiseen.
5.  PAINIKE
Käytetään toimintatilan asettamiseen tai perumiseen.
6.  PAINIKE
Käytetään automaattisen sammutuksen ja automaattisen käynnistyksen ajan asettamiseen.
7.  PAINIKE
Käytetään automaattiseen kääntötoimintoon.

H

1. Kierrä poistoputken molemmat päät putki-liittimeen.

I

1. Poistoputken asentaminen

J

1. Poistoputken asentaminen

K

1. Ikkunan liukusarjan asentaminen

L

1. Vedenpoistoletkun liittäminen

TOIMINTATILOJEN JA ASENNUKSEN KUVAUS

A. Lisävarusteet

Tarkista purkamisen jälkeen, että edellä lisävarusteet ovat mukana. Katso niiden käyttötarkoitukset oppaan asennusohjeista.

B. Siirrettävä ilmastointilaitte

J. Kaukosäätimen painikkeet ja toiminnot

Huomautus:- Älä pudota kaukosäädintä. Älä altista kaukosäädintä suoralle auringonvalolle.

M. Laitteen käyttö

Ennen käytön aloittamista:

- 1) Sijoita laite paikkaan, jossa on lähellä pistorasia.
- 2) Asenna poistoputki ja varmista, että laite on sopivassa asennossa ikkunaan nähden.
- 3) Kiinnitä vedenpoistoletku kunnolla (vain lämmittävässä mallissa).
- 4) Kytke virtajohto maadoitettuun AC220-240V/50Hz-pistorasiaan.
- 5) Käynnistä ilmastointilaitte virtakytkimestä.

K&L. Poistoputken asentaminen

A) Väliaikainen asennus

1. Kierrä poistoputken molemmat päät putkiliittimeen.
2. Aseta kulmikas liitin ilmastointilaitteen takaosassa olevaan ilman poistoaukkoon.
3. Laita poistoputken toinen pää lähellä olevalle ikkunalaudalle.

N. Ikkunan liukusarjan asentaminen

Ikkunan liukusarja asennetaan vaaka- tai pystysuoraan. Katso kuvista 5 ja 5a ikkunan vähimmäis- ja enimmäiskoko ennen asennusta.

1. Asenna ikkunasarja ikkunaan;
2. Säädä ikkunan liukusarja ikkunan leveyden tai korkeuden mukaan, ja kiinnitä se tulpalla.
3. Työnnä ikkunaliitäntäletku ikkunasarjassa olevaan reikään.

O. Vesisäiliö täynnä -hälytys

Ilmastointilaitteen sisällä olevassa

vesisäiliössä on turvakytin, joka valvoo veden pinnan tasoa. Kun veden taso saavuttaa tietyn korkeuden, täyden vesisäiliön merkkivalo syttyy. Näytössä näkyy virhekoodi E4. (Jos vesipumppu on vaurioitunut ja säiliö on täynnä, irrota kumitulppa laitteen alareunasta, niin vesi valuu ulos.)

Suodattimen säännöllinen vaihtaminen on erittäin tärkeää. Muutoin ilmastointilaitteen teho laskee ja laite voi vahingoittua vakavasti.

H. Kunnossapito-ohjeet:

- 1) Muista irrottaa johto pistorasiasta ennen puhdistusta.
- 2) Älä käytä bensiiniä tai muita kemikaaleja laitteen puhdistamiseen.
- 3) Älä pese laitetta vesihanalla.
- 4) Jos ilmastointilaitte on rikki, ota yhteyttä jälleenmyyjään tai huoltoliikkeeseen.

1. Ilmansuodatin

-Jos ilmansuodatin tukkeutuu pölystä/liasta, suodatin on puhdistettava kahden viikon välein.

-Irrutus

Avaa ilmanottoritilä ja irrota ilmansuodatin.

-Puhdistus

Puhdista ilmansuodatin neutraalilla pesuaineella ja haalealla(40 °C) vedellä, ja anna sen kuivua varjossa.

-Asennus

Laita ilmansuodatin takaisin ilmanottoritilän taakse samaan paikkaan.

2. Ilmastointilaitteen pinnan puhdistaminen

Pyyhi pinta ensin neutraalilla pesuaineella ja kostealla liinalla ja sen jälkeen kuivalla liinalla.

E. Ennen käyttöä

Tarkista, että poistoputki on asennettu oikein.

Ota huomioon viilennyksessä ja

kosteudenpoistossa: -Kun käytät viilennyksen tai kosteudenpoiston toimintoja, pidä vähintään 3 minuutin tauko käynnistysten välillä.

-Virtalähteen on oltava vaatimusten mukainen.

-Pistoke on tarkoitettu kytkettäväksi verkkovirtaan.

-Älä käytä samassa pistorasiassa muita laitteita.

-Virtalähde on AC220--240V, 50Hz

1. Laitteen käynnistäminen

a) Kytke pistoke pistorasiaan. Laite antaa merkkiään. Virran merkkivalo palaa.

b) Käynnistä laite painamalla "⏻"

-painiketta.

c) Näytössä näkyy huoneen lämpötila ja automaattinen tila.

2. Viilennystoiminto

-Paina Mode-painiketta, kunnes paneelissa näkyy Cool-kuvake.

-Säädä haluamasi huonelämpötila "+" ja

"-" -painikkeista.

(15-31 °C)

-Valitse puhaltimen nopeus painamalla Fan Speed -painiketta.

3. Kosteudenpoisto Paina Mode-

painiketta, kunnes kosteudenpoiston kuvake tulee näkyviin. -Lämpötila asettuu automaattisesti nykyiseen huoneenlämpötilaan miinus 2 °C.

-Puhallin asettuu automaattisesti PIENEEN nopeuteen.

4. Puhaltimen käyttö

-Paina Mode-painiketta, kunnes paneelissa näkyy Fan-kuvake.

-Valitse puhaltimen nopeus painamalla Fan Speed -painiketta.

5. Lämmitystoiminto (toiminto ei ole käytettävissä pelkästään viilentävissä yksiköissä) -Paina Mode-painiketta, kunnes Heat-kuvake tulee näkyviin.

-Säädä haluamasi huonelämpötila "+" ja

"-" -painikkeista.

TOIMINTATILOJEN JA ASENNUKSEN KUVAUS

(15–31 °C)

-Valitse puhaltimen nopeus painamalla Fan Speed -painiketta.

6. ⌚ Ajastimen käyttö

a) Kun yksikkö on käynnissä, voit asettaa automaattisen sammutusajan painamalla Timer-painiketta.

b) Kun yksikkö on valmis, voit asettaa automaattisen sammutusajan painamalla Timer-painiketta.

c) Aika voidaan säätää 1–24 tunnin päähän. Voit säätää aikaa tunti kerrallaan painamalla lämpötila ylös “+” tai lämpötila alas “-” painikkeita.

7. ⏸ Toiminta

a) ⏸-toiminto on päällä, kun laite on ❄-tilassa..

b) Paina ⏸-painiketta ❄-tilassa, niin laite toimii lepotilassa ja puhallin toimii automaattisesti hitaalla nopeudella. Asetettu lämpötila nousee 1 °C tunnin kuluttua ja 2 °C kahden tunnin kuluttua. Kuuden tunnin kuluttua laite sammuu.

8. ⏸ Toiminta

a) kun kääntötoiminto on aktivoitu, siiveke kääntyy automaattisesti ylös ja alas. Jos haluat lopettaa, paina painiketta uudelleen.

Kunnossapito

Puhdista laite pehmeällä, kostealla liinalla. Älä käytä liuottimia tai voimakkaita puhdistusaineita, sillä ne saattavat vaurioittaa laitteen pintaa.

Huolto

Jos ilmastointilaitte on huollettava, ota ensin yhteyttä paikalliseen jälleenmyyjään. Kaikki takuuvaatimukset edellyttävät ostotodistusta.

Säilytysohjeet

Varastointi käyttökauden lopussa

1) Kierrä vedenpoistoaukon suojus irti,

irrota tulppa ja anna kondenssiveden tyhjentyä kokonaan.

2) Pidä yksikkö käynnissä puhallustilassa puoli päivää, jolloin laite kuivuu sisältä eikä homehdu säilytyksen aikana.

3) Sammuta laite, irrota pistoke ja kääri virtajohto kiinnikkeen ympärille. Työnnä pistoke yleismalliseen pistokkeen suojuksen laitteen takapaneelissa. Asenna tulppa ja vedenpoistoaukon suojus.

4) Irrota lämmön poistoputkikokoonpano, puhdista se ja säilytä asianmukaisesti.

Huomaa:

Ota kiinni poistoputkikokoonpanosta molemmin käsin, kun irrotat sen.

Työnnä ilman poistoaukon sivulla olevia kiinnikkeitä peukaloilla sivulle, ja vedä poistoputkikokoonpano irti.

5) Pakkaa ilmastointilaitte pehmeään muovipussiin ja säilytä sitä kuivassa paikassa, joka on riittävästi suojattu pölyltä. Säilytä laitetta poissa lasten ulottuvilta.

6) Ota paristot pois kaukosäätimestä ja säilytä sitä asianmukaisesti.

Huomaa:

Varmista, että laitteen varastotila on kuiva.

Kaikki laitteen lisävarusteet tulee säilyttää samassa paikassa asianmukaisesti suojattuina.

Virtajohdon pidike ja yleismallinen pistokkeen suojus suojaavat virtajohtoa. Poistoilma-aukko on korkealla, joten asentaminen on helppoa ja tila tuulettuu nopeasti.

Älykäs, ympäristöystävällinen ja energiaa säästävä malli ja haihduttava jäähdytysjärjestelmä.

24 tunnin ajastintoiminto, ainutlaatuinen päälle/pois laittamisesta muistuttava äänimerkki.

Kolmen minuutin viive uudelleen käynnistettäessä suojaa kompressoria, myös muita suojaustoimintoja.

WiFi-toiminto

1. Lataa ja asenna sovellus

Lataa Woods Connect -sovellus App Storesta tai Google Playsta

1. Rekisteröidy/Kirjaudu sisään/
Unohtunut salasana

Rekisteröidy

Jos sinulla ei ole sovellustiliä, rekisteröi tili, tai kirjaudu sisään tekstiviestinä saamallasi vahvistuskoodilla.

Tällä sivulla kuvataan rekisteröitymisprosessi.

1. Siirry rekisteröitymissivulle napauttamalla

2. Järjestelmä tunnistaa automaattisesti maasi/alueesi. Voit myös valita maakoodin. Anna matkapuhelinnumerosi/sähköpostiosoitteesi ja valitse Seuraava.

3. Jos syötät matkapuhelinnumeron, kirjoita viestinä saamasi vahvistuskoodi, anna salasana ja tee rekisteröinti loppuun valitsemalla "Vahvista" (Confirm).

4. Jos annat sähköpostiosoitteesi, syötä salasana ja tee rekisteröinti loppuun valitsemalla "Vahvista" (Confirm).

2. Kirjaudu sisään käyttäjätunnuksella ja salasanalla tai tekstiviestinä saamallasi vahvistuskoodilla

Kirjaudu sisään käyttäjätunnuksella ja salasanalla

1. Järjestelmä tunnistaa automaattisesti maasi/alueesi. Voit myös valita maakoodin.

Anna matkapuhelinnumero/sähköpostiosoite ja valitse Seuraava

2. Syötä rekisteröitymisen yhteydessä antamasi matkapuhelinnumero tai sähköpostiosoitteesi ja kirjaudu sisään salasanalla.

Kirjaudu sisään vahvistuskoodilla

1. Siirry uudelle sivulle valitsemalla "Kirjaudu sisään tekstiviestivahvistuksella"

2. Järjestelmä tunnistaa automaattisesti maasi/alueesi. Voit myös valita maakoodin itse.

Unohtunut salasana

Jos olet unohtanut salasanasi, noudata näitä ohjeita:

1. Valitse "Unohtunut salasana"

2. Järjestelmä tunnistaa automaattisesti maasi/alueesi. Voit myös valita maakoodin itse. Anna matkapuhelinnumerosi/sähköpostiosoitteesi ja valitse Seuraava.

3. Syötä tekstiviestillä/sähköpostiviestissä saamasi vahvistuskoodi, anna uusi salasana ja valitse lopuksi "Vahvista" (Confirm).

WiFi Woods Connect tukee seuraavia toimintoja:

Virta päälle/pois

Viilennystila

Kosteudenpoistotila

Puhallustila

Energiansäästötila

Lämpötila-asetukset

Nopeus: Hidas, keskinopeus ja nopea

Ajastin: 1–24 h

Lepotila: Päällä/pois

Automaattinen puhdistus: Päällä/pois

Celsius/Fahrenheit

Kääntötoiminto: Päällä/pois

3. Noudata WiFi:n käytössä sovelluksen ohjeita.

Smart Home

Jos tuotteesi on Smart Home -tuote, tee vaiheet 1–3.

Kolmannen osapuolen käyttöoikeuspalvelu: Katso ohjeet palveluun yhdistämisestä napauttamalla kolmannen osapuolen äänipalvelukuvaketta. Löydät kuvakkeen kohdasta

Smart Home Woods Connect tukee seuraavien toimintojen äänikomentoja:

Virta päälle/pois
Lämpötila-asetukset
Käyttötavat
Tuuletin tilat

Lisätietoja osoitteessa:

<https://woods.se/en/>

ONGELMA	SYY	RATKAISU
Laitte ei käynnisty virtapainikkeesta	Johto ei ole kiinni / Pistoke tai pistorasia on vaurioitunut.	Kytke johto tai vaihda pistoke tai pistorasia.
	Sulake rikki	Vaihda sulake (3.15A/250AC)
	Huonelämpötila on matalampi kuin asetuslämpötila. (viilennystila)	Muuta lämpötilaa
Laitte ei viilennä tarpeeksi	Ovet tai ikkunat eivät ole suljettuina.	Varmista, että kaikki ikkunat ja ovet ovat kiinni.
	Huoneessa on lämmönlähteitä.	Poista lämmönlähteet, jos mahdollista
	Poistoilmaputki on irti tai tukossa.	Kytke tai puhdista poistoputki.
	Lämpötila-asetus on liian korkea.	Muuta lämpötilaa
	Ilmanottoaukko on tukossa.	Puhdista ilmanottoaukko.
Korkea melutaso	Alusta ei ole suora tai tarpeeksi tasainen	Aseta laite tasaiselle, suoralle alustalle, jos mahdollista
	Ääni johtuu kylmäaineen virtaamisesta ilmastointilaitteen sisällä	Se on normaalia.

Jos laitteen kanssa on kannettava ilmastointilaitte, katso alla oleva vianetsintätaulukko. Jos mikään alla olevista ratkaisuista ei toimi, ota yhteyttä jälleenmyyjään ilmastointilaitteen huoltoa varten.

VIRHEKOODIT	SYY	RATKAISU
E2-koodi	Lämpötila-anturin vika tai häiriö.	Vaihda lämpötila-anturi.
E3-koodi	Haihduksen lämpötila-anturin vika.	Vaihda haihduksen lämpötila-anturi
E4-koodi	Vesisäiliö täynnä	Tyhjennä vesisäiliö.

Takuu

Kuluttajan takuu on kaksi vuotta tuotantovikojen osalta. Huomaathan, että takuu on voimassa kuittia vastaan. Takuu on voimassa vain, jos tuotetta käytetään tässä käyttöohjeessa olevien ohjeiden ja turvallisuusvaroitusten mukaisesti. Takuu ei kata vahinkoja, jotka johtuvat tuotteen virheellisestä käsittelystä.

HUOMAA: Kahden vuoden takuu koskee vain kuluttajia, ei laitteen kaupallista käyttöä.



HUOM!

Rekisteröi tuotteesi osoitteessa www.warranty-woods.com ja lue, miten voit saada laajennetun takuun. Katso lisätietoja osoitteesta www.woods.se.

Suosittelvat käyttöolosuhteet

Paras käyttölämpötila viilennykseen on 17–35 °C ja lämmitykseen 8–25 °C. Laite toimii korkeintaan 43 °C:ssa. Sulake: \varnothing 5,0 x 20 mm 3,15 A, 250 Vac.

TEKNISET TIEDOT	AC Milan 7K WIFI	AC Milan 9K WIFI	AC Como 12K WIFI
Jäähdytysteho	2000 W	2600 W	3500 W
Virrankulutus	750 W	950 W	1250 W
Ilmavirtaus:	350 m ³ /h	350 m ³ /h	380 m ³ /h
Energialuokka	A	A	A
Kosteudenpoisto	19 l/vrk	24 l/vrk	28,8 l/vrk
Lämpötilan asetusalue	15–31 °C	15–31 °C	15–31 °C
Käyttölämpötila	16–43 °C	16–43 °C	16–43 °C
EER	2,6	2,6	2,6
Poistoletkun pituus	1,0 m	1,0 m	1,0 m
Letkun halkaisija	10 mm	10 mm	10 mm
Kylmäainekaasu	R290/100g	R290/160g	R290/220g
Melutaso desibeleinä	61dB	61dB	52 dB
Paino	22 kg	24 kg	25 kg
Mitat mm, P x S x K	355x350x700	355x350x700	355x350x700

*Oikeus teknisiin muutoksiin ja parannuksiin pidetään. Kaikki arvot ovat likimääräisiä ja voivat vaihdella ulkoisten olosuhteiden, kuten lämpötilan, ilmanvaihdon ja kosteuden mukaisesti.



*Merkinnän mukaisesti tuotetta ei saa hävittää talousjätteen mukana EU:n alueella. Kierrätä tuote vastuullisesti ja edistä materiaalien kestävä käyttöä. Samalla ehkäiset valvomattoman jätteiden hävittämisen aiheuttamia riskejä ympäristölle ja ihmisten terveydelle. Jos haluat palauttaa laitteen, käytä palautus- ja keräysjärjestelmiä tai ota yhteyttä siihen jälleenmyyjään, jolta tuote on ostettu. He voivat kierrättää tuotteen ympäristöystävällisesti.



*Käytettyjä paristoja ei saa hävittää kotitalousjätteiden mukana, sillä ne saattavat sisältää myrkyllisiä elementtejä ja raskasmetalleja, jotka voivat olla haitallisia ympäristölle ja ihmisten terveydelle. Palauta tyhjät paristot asianmukaiseen kierrätyslaitokseen.

„WOOD'S“ ŠVARIAM IR SVEIKAM PATALPŲ ORUI

„Wood's“ prekės ženklą daugiau nei prieš 70 metus Kanados Guelpo mieste, Ontarijo valstijoje, įkūrė Woods šeima. „Wood's“ pradėjo sausintuvų kūrimą ir gamybą 1950-aisiais. Nuo tada „Wood's“ prietaisai keliems šimtams tūkstančių namų padėjo apsisaugoti nuo drėgmės ir pelėsių bei mėgautis švaresniu oru. Mūsų nešiojami oro kondicionieriai tinka naudoti daugelyje klimatų, net svyruojant temperatūroms ir drėgmės lygiui. Jie tinka naudoti ir įšylančiose patalpose, tokiose kaip svetainės, biurai ar miegamieji. Karšto oro kiekis, kurį oro kondicionierius ištraukia iš patalpos, priklauso nuo patalpos temperatūros, esamo drėgmės lygio ir pastatymo vietos. Išorinės oro sąlygos taip pat gali paveikti oro kondicionieriaus darbo kokybę.

„Wood's“ oro kondicionieriai veikia saugiai ir skirti naudoti pastoviai daugybe metų.

KAIP VEIKIA ORO KONDICIONAVIMO PRIETAISAS?

Žemas slėgis sukuria šaltą orą. Pagrindinis oro kondicionieriaus elementas yra aušinimo skystis, kuris esant žemam slėgiui virsta dujomis. Šis procesas „sukuria šaltį“, kuris nukreipiamas į vidų, o šiltas oras išstumiamas.

Skystas aušinimo skystis perleidžiamas per išsiplėtimo vožtuvą į vamzdį, kuriame yra žemas slėgis.

Čia aušinimo skystis išgaruoja ir tampa dujomis. Proceso metu iš aplinkos sugerama šiluma ir vamzdis atvėsinamas.

Ventiliatorius išstumia šaltą orą į patalpą. Dujos pereina per kompresorių, kuris padidina slėgį ir dujas paverčia skysčiu. Šio proceso metu išsiskiria šiluma, ji nukreipiamas į vamzdžius kitoje pusėje ir išpučiama ventiliatoriumi.

Termostatas išjungia prietaisą, kai patalpos oras tampa pakankamai vėsus.

1. ĮSPĖJIMAI



Degioji medžiaga. Šiame prietaise yra R290/Propanas yra degus šaltnešis.



Šiame vadove rasite saugos informacija.



Žr. techninį vadovą



Žr. operatoriaus vadovą.

SAUGOS INFORMACIJA

Prieš įrengdami ir naudodami prietaisą, atidžiai perskaitykite pateiktus nurodymus. Gamintojas neatsako už sužalojimus ir pažeidimus, atsiradusius neteisingai naudojant prietaisą. Instrukciją visada laikykite prie prietaiso, kad prirėkus galėtumėte pasiskaityti.

Vaikų ir pažeidžiamų žmonių sauga

ĮSPĖJIMAS

Susižalojimo arba nuolatinio neįgalumo pavojus.

Šį prietaisą gali naudoti vaikai nuo 8 metų ir asmenys, turintys psichinę, jutiminę ar fizinę negalią, arba neturintys pakankamai patirties ar žinių, jei juos prižiūri arba išmoko saugiai naudoti prietaisu kitas asmuo ir jei jie supranta su prietaiso naudojimu susijusius pavojus.

Neleiskite vaikams žaisti su prietaisu.

Jaunesni kaip 3 metų vaikai turėtų būti laikomi atokiau, nebent jie būtų nuolat prižiūrimi.

Visas pakuotes laikykite atokiau nuo vaikų.

Prietaiso valymo ir priežiūros darbų vaikai be priežiūros atlikti negali.

Bendroji sauga

Šis prietaisas skirtas naudoti buitiniame ir panašioje aplinkoje, tokioje kaip svetainės, gyvenamosios patalpos, darbuotojų virtuvės parduotuvėse, biuruose ir kitokioje darbinėje aplinkoje. Tipo plokštelė yra oro kondicionieriaus šone arba galinėje pusėje.

Negalima uždengti ventiliacijos angų.

Nenaudokite mechaninių įtaisų ar kitų priemonių atitirpinimo procesui pagreitinti, išskyrus gamintojo rekomenduotus.

Prietaiso negalima laikyti patalpoje, kurioje yra veikiančių degimo šaltinių (pvz., atvira liepsna, veikiantis dujinis prietaisas arba elektrinis šildytuvas). Prietaiso negalima badyti ar deginti.

Atminkite, kad šaltnešiuose gali būti kvapo. Prietaisui valyti nenaudokite vandens srovės ir garų. Prietaisą valykite minkšta drėgna šluoste. Naudokite tik neutralius ploviklius. Nenaudokite abrazyvinių gaminių, abrazyvinių šluosčių, tirpiklių ar metalinių daiktų.

Jei maitinimo laidas yra pažeistas, jis turi būti pakeistas gamintojo, jo

įgalioto techninės priežiūros centro arba kito kvalifikuoto asmens, išvengiant galimo pavojaus.

SAUGOS NURODYMAI

Įrengimas ĮSPĖJIMAS

Šį prietaisą gali įrengti tik kvalifikuotas asmuo.

Pašalinkite visą pakuotę.

Neįrenkite ir nenaudokite pažeisto prietaiso. Prietaisą galima įrengti, eksploatuoti ir laikyti patalpoje, kurios grindų plotas didesnis nei 4,2 m² (7k), 7,7 m² (9k), 9,6 m² (12k). Laikykitės su prietaisu pateiktų įrengimo nurodymų. Prietaisą perkeltkite atsargiai, nes jis yra sunkus. Visada mūvėkite apsaugines pirštines. Turėkite omenyje, kad šaltnešis gali neturėti kvapo.

Pasirūpinkite, kad aplink prietaisą oras galėtų laisvai cirkuliuoti. Prieš prijungdami prietaisą prie maitinimo šaltinio, palaukite bent 4 valandas. Per šį laiką alyva subėgs atgal į kompresorių. Neįrenkite prietaiso arti radiatorių ar kitų šilumos šaltinių. Neįrenkite prietaiso tiesioginių saulės spindulių apšviečiamoje vietoje.

Elektros įranga ĮSPĖJIMAS

Gaisro ir elektros smūgio rizika. Prietaisas turi būti prijungtas prie įžeminto maitinimo lizdo. Įsitikinkite, kad duomenų plokštelėje esanti elektros maitinimo informacija atitinka maitinimo šaltinio duomenis. Jei taip nėra, kreipkitės į elektriką. Visada naudokite tinkamai įrengtą

smūgiams atsparų lizdą. Nenaudokite šakotuvų ir ilgintuvų. Pasirūpinkite, kad nebūtų pažeisti elektros komponentai (pvz., kištukas, maitinimo kabelis). Kreipkitės į įgaliotąjį techninės priežiūros centrą arba elektriką, kad pakeistų elektros komponentus. Maitinimo kabelis turi būti žemiau kištuko lygio. Kištuką į maitinimo lizdą įjunkite tik įrengimo pabaigoje. Pasirūpinkite, kad įrengus prietaisą kištukas būtų lengvai pasiekiamas. Norėdami išjungti prietaisą, netraukite maitinimo kabelio. Visada traukite tik kištuką.

Naudojimas

ĮSPĖJIMAS

Sužeidimų, nudegimų, elektros smūgio ar gaisro pavojus.

Nekeiskite šio prietaiso specifikacijos.

Būkite atsargūs, kad nepažeistumėte šaltnešio kontūro. Jame yra propano (R290), aplinkoje lengvai pasklindančių gamtinių dujų. Šios dujos yra degios.

Jei pažeidžiamas šaltnešio kontūras, pasirūpinkite, kad patalpoje nebūtų liepsnos ir uždegimo šaltinių. Vėdinkite patalpą.

Nedėkite degiųjų gaminių ar daiktų, persisunkusių degiaisiais gaminiais, šalia arba ant prietaiso.

Šalinimas

ĮSPĖJIMAS

Pavojus susižeisti.

Atjunkite prietaisą nuo maitinimo tinklo.

Nupjaukite maitinimo laidą ir išmeskite.

Šio prietaiso šaltnešio kontūras nekenkia ozonui. Informacijos apie tai, kaip tinkamai išmesti prietaisą, teiraukitės savivaldybėje.

Nepažeiskite aušinimo įrenginio dalies, esančios šalia šilumokaičio.

ORO KONDICIONIERIAUS PARUOŠIMAS MONTUOTI

2. Įrengimas

PRIEŠ NAUDOJANT PIRMĄ KARTĄ

Prieš naudodami prietaisą leiskite 2 val. pabūti jam darbinėje aplinkoje

Svarbu

1. Šį oro kondicionierių galite patogiai perkelti patalpoje į norimą vietą; pervežkite laikykite jį vertikaliajose padėtyje. Oro kondicionierių statykite ant lygaus paviršiaus.

Neįrenkite ir nenaudokite šio oro kondicionieriaus vonioje ar kitoje drėgnoje patalpoje.

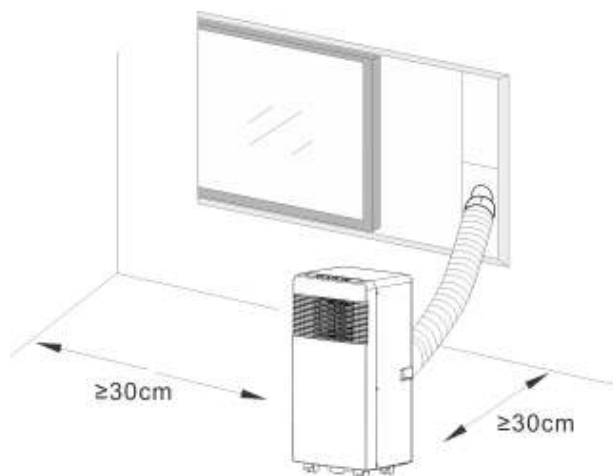
Kadangi mobilus oro kondicionierius turi ratukus, jį lengva pervežti į norimą vietą. Patalpai įkaitus, galima tiesiog įvežti į ją mobilų oro kondicionierių ir greitai atvėsinti orą.

Kad veiktų efektyviausiai, oro kondicionierių reikia naudoti uždaroje patalpoje. Uždarykite patalpos duris, langus ir kitas angas į išorę. Oro kondicionieriaus veiksmingumas priklauso nuo temperatūros ir drėgmės lygio.

2. Oro kondicionierių pastatykite tokioje vietoje, kurioje nebūtų ribojamas oro srautas prietaiso priekyje.

3. Patalpoje veikiantis oro kondicionierius prastai arba visai nedžiovins oro gretimose uždaroje saugojimo vietoje, pvz. spintoje, jei joje nebus tinkamos ventilacijos. Mobilus oro kondicionierius pašalina šilumą iš prietaiso per ventiliatoriaus žarną ir išmeta per langą arba išmetamojo oro vožtuvą.

4. Tarp oro kondicionieriaus ir kito artimiausio objekto būtina palikti bent 30 cm atstumą. Žr. nuorodinį pav.



PRODUKTO APRAŠYMAS

3. Produkto aprašymas

- | | | |
|---|---|--|
| <p>A</p> <ol style="list-style-type: none"> Oro išmetimo kanalas Oro išmetimo kanalo jungtis Išmetimo kanalo adapteris langui Nuotolinis valdymo pultas Pertvaros plokštė Vandens vamzdžio kištukas <p>B</p> <ol style="list-style-type: none"> Produkto vaizdas iš priekio <p>C</p> <ol style="list-style-type: none"> Valdymo skydelis Šalto oro išleidimo anga Signalų imtuvas Nuotolinis valdymo pultas Nešimo rankena Oro išleidimo žarna Garintuvo oro išleidimo anga Pagrindinės drenažo žarnos prievadas <p>D</p> <ol style="list-style-type: none"> Produkto vaizdas iš viršaus <p>E</p> <ol style="list-style-type: none"> Laikmatis / Temperatūros padidinimo mygtukas Laikmatis / Temperatūros sumažinimo mygtukas Automatinis aušinimas
Sausinimo ir ventiliatoriaus režimas WIFI Botón de modo de reposo y bloqueo infantil Sukimasis Laikmačio mygtukas Režimo mygtukas Greičio mygtukas Maitinimo mygtukas Mažas, didelis ventiliatoriaus greitis Maitinimo indikatorius / užraktas nuo vaikų | <p>F</p> <ol style="list-style-type: none"> Filtro ekrano valymo scheminė diagrama <p>G</p> <ol style="list-style-type: none"> MYGTUKAS
Maitinimo įjungimas / išjungimas MYGTUKAS
Paspauskite šį mygtuką pasirinkti veikimo-režimą. MYGTUKAS
Naudojamas ventiliatoriaus greičiui iš eilės pasirinkti. ir NUSTATYMO MYGTUKAI
Naudojami reguliuoti patalpos temperatūrą ir laikmatį. MYGTUKAS
Naudojamas nustatyti arba atšaukti režimo veikimą. MYGTUKAS
Naudojamas nustatyti automatinio išjungimo ir automatinio įjungimo laiką. MYGTUKAS
Naudojamas nustatyti automatinį sukimąsi. | <p>H</p> <ol style="list-style-type: none"> Įsukite abu išleidimo žarnos galus į žarnos jungtį. <p>I</p> <ol style="list-style-type: none"> Išleidimo žarnos įrengimo pagrindai <p>J</p> <ol style="list-style-type: none"> Išleidimo žarnos įrengimo pagrindai <p>K</p> <ol style="list-style-type: none"> Lango slankiklio mechanizmo įrengimas <p>L</p> <ol style="list-style-type: none"> Prijunkite drenažo žarną |
|---|---|--|

EKSPLOATAVIMO REŽIMŲ FUNKCIJA IR ĮRENGIMO APRAŠYMAI

A. Priedai

Išpakavę patikrinkite, ar yra aukščiau išvardinti priedai, jų paskirtis apibūdinta šio vadovo įrengimo instrukcijoje.

B. Mobilusis oro kondicionierius

J. Nuotolinio valdymo pulto išvaizda ir funkcijos.

Pastabos. -Nenumeskite valdymo pulto. Nedėkite valdymo pulto ten, kur krenta tiesioginiai saulės spinduliai.

M. Valdymo funkcijų apžvalga

Prieš pradėdami šio skyriaus funkcijų naudojimą:

- 1) Raskite vietą, kur netoliese būtų maitinimo šaltinis.
- 2) Įrenkite išleidimo žarną ir pakoreguokite lango įstatymo šulinį.
- 3) Prijunkite drenažo žarnos šulinį (tik modeliui su šildymo funkcija).
- 4) Prijunkite maitinimo laidą prie įžeminto AC 220~240 V / 50 Hz lizdo.
- 5) Paspausdami mygtuką POWER įjunkite oro kondicionierių.

K&L. Išleidimo žarnos įrengimo pagrindai

A) Laikinas įrengimas

1. Įsukite abu išleidimo žarnos galus į žarnos jungtį.
2. Įstatykite stačiakampį fiksavimo spaustuką į oro išleidimo angą oro kondicionieriaus galinėje pusėje.
3. Kitą išleidimo žarnos galą nutieskite link artimiausios palangės.

N. Lango slankiklio mechanizmo įrengimas
Lango slankiklio mechanizmą galima įrengti daugiausiai horizontaliai arba vertikaliai. Kaip pavaizduota 5 ir 5a pav., prieš įrengimą patikrinkite minimalų ir maksimalų lango dydį.

1. Įrenkite lango mechanizmą ant lango.
2. Pakoreguokite lango slankiklio mechanizmo ilgį pagal lango plotį ar aukštį, užfiksukite kaiščiu.
3. Įstatykite lango jungties žarną į angą lango rinkinyje.

O. Įspėjimo apie pilną vandens vidinę talpyklą funkcija

Vidinė vandens talpykla oro kondicionieriuje turi vieną vandens lygio apsauginį jungiklį, kuriuo kontroliuojamas vandens lygis. Kai vandens lygis pasiekia numatytą aukštį, užsidega pilnos vandens talpyklės lemputė. Ekране bus rodomas klaidos kodas „E4“. (Jei vandens siurblys yra pažeistas, kai talpyklė yra pilna vandens, ištraukite guminį kamštį prietaiso apačioje, ir vanduo išbėgs lauk.)

Labai svarbu, kad filtras būtų reguliariai valomas; Priešingu atveju oro kondicionierius gali prarasti talpą ir netgi būti rimtai pažeistas.

H. Techninės priežiūros paaiškinimų deklaracija:

- 1) Prieš valydami būtinai atjunkite prietaisą nuo elektros lizdo.
- 2) Nevalykite prietaiso benzinu ar kitokiomis cheminėmis priemonėmis.
- 3) Neplaukite prietaiso tiesiogiai.
- 4) Jei kondicionierius yra sugedęs, kreipkitės į pardavėją ar remonto dirbtuvę.

1. Oro filtras

-Jei oro filtras užsikemša dulkėmis ar purvu, oro filtrą reikia valyti kas dvi savaites. -išmontavimas
Atidarykite oro įleidimo angos groteles, ištraukite oro filtrą.
-Valymas

Nuvalykite oro filtrą neutraliu valikliu su drungnu vandeniu (40 °C) ir pavėsyje palikite išdžiūti.

-Sumontavimas

Įstatykite oro filtrą į angos groteles, vėl sumontuokite komponentus į jų vietas.


2. Nuvalykite oro kondicionieriaus paviršių iš pradžių nuvalykite paviršių neutraliu valikliu ir drėgna šluoste, tada nušluostykite sausa šluoste.

E. Prieš naudodami

Patikrinkite, ar išleidimo žarna yra tinkamai sumontuota.

Atsargumo priemonės dėl aušinimo ir drėgmės pašalinimo operacijų; -Kai naudojate aušinimo ir sausavimo funkcijas, tarp įjungimų palikite 3 minučių intervalus.
-Maitinimo šaltinis atitinka reikalavimus.
-Lizdas yra skirtas kintamajai srovei.
-Į tą patį lizdą nejunkite kitų prietaisų.
-Maitinimo šaltinis yra 220-240 V kint. sr., 50 Hz

1. Įjunkite įrenginį

- a) Prijunkite, tada įrenginys vieną kartą pyptelės, Maitinimo indikatorius lemputė šviečia.
- b) Paspauskite mygtuką „“, įrenginys yra įjungtas.
- c) LED ekrane rodoma patalpos temperatūra ir automatinis režimas.

2. Aušinimo operacija

-Spauskite režimo mygtuką, kol pamatysite aušinimo piktogramą.

-Paspauskite „+“ arba „-“ mygtuką ir pasirinkite norimą patalpos temperatūrą. (15 °C -31 °C)
-Paspauskite ventiliatoriaus greičio mygtuką ir pasirinkite vėjo pūtimo greitį.

3. Sausavimo operacija Spauskite režimo mygtuką, kol pamatysite sausavimo piktogramą. -Automatiškai nustatysite pasirinktą temperatūrą į dabartinę patalpos temperatūrą minus 2 °C.
-Automatiškai nustatykite ventiliatoriaus variklį į mažą vėjo greitį.

4. Ventiliatoriaus režimas

-Paspauskite režimo mygtuką, kol pamatysite ventiliatoriaus piktogramą.
-Paspauskite ventiliatoriaus greičio mygtuką ir pasirinkite vėjo pūtimo greitį.

5. Šildymo režimas (ši funkcija negalima tik šaldymo režimą turinčiam įrenginiui)
-Spauskite režimo mygtuką, kol pamatysite šildymo piktogramą.

-Paspauskite „+“ arba „-“ mygtuką ir pasirinkite norimą patalpos temperatūrą.

EKSPLOATAVIMO REŽIMŲ FUNKCIJA IR ĮRENGIMO APRAŠYMAI

(15 °C – 31 °C)

-Paspauskite ventiliatoriaus greičio mygtuką ir pasirinkite vėjo pūtimo greitį

6. ☺ Laikmačio naudojimas

- Kai įrenginys veikia, paspausdami laikmačio mygtuką nustatykite automatinio išjungimo laiką.
- Kol įrenginys bus paruoštas, paspausdami laikmačio mygtuką nustatykite automatinio išjungimo laiką.
- Laiką galima reguliuoti nuo 1 valandos iki 24 valandų. Spausdami temperatūros padidinimo “+” arba temperatūros sumažinimo “-” mygtuką kiekvienu paspaudimu padidinsite arba sumažinsite nustatytą laiką po 1 valandą.

7. ☺ Operacija

- ☺ a) Operacija gali būti atliekama, kai įrenginys veikia ❄ režimu.
- Paspauskite mygtuką ☺, o išcentrinis ventiliatorius automatiškai suksis mažu greičiu. Nustatyta temperatūra po vienos valandos pakils 1 °C ir po dviejų valandų padidės 2 °C. Po šešių valandų įrenginys nustos veikti.

8. ↻ Operacija

- Įjungus sukimosi mygtuką, sukimosi mentelė automatiškai svyruoja aukštyn ir žemyn. Jei norite funkciją sustabdyti, dar kartą paspauskite mygtuką.

Priežiūra

Įrenginį valykite minkšta drėgna šluoste. Nenaudokite tirpiklių ar stiprių valiklių, nes taip galima pažeisti prietaiso paviršius.

Aptarnavimas

Jei reikia atlikti oro kondicionieriaus aptarnavimo procedūras, iš pradžių kreipkitės į vietinį pardavėją. Kreipiantis dėl garantinio aptarnavimo būtina turėti pirkimo kvitą.

Sandėliavimo nurodymai

Sandėliavimas pasibaigus sezonui

- Atsukite drenažo dangtelį, ištraukite kaištį ir išleiskite visą kondensatą.
- Leiskite prietaisui pusdienį paveikti ventiliatoriaus režimu, kad visas prietaisas išdžiūtų ir viduje neatsirastų pelėsių. Išjunkite prietaisą, ištraukite, apskukite maitinimo laidą aplink apvijos koloną, kištuką įkiškite į universalaus tvirtinimo angą galinėje plokštelėje, įstatykite vandens kaištį ir drenažo dangtelį.
- Atjunkite karščio išleidimo žarną, ją išvalykite ir tinkamai pasidėkite.
Pastabos.
Išimdami laikykite išleidimo žarnos bloką abiem rankomis.
Paspausdami fiksatorius išleidžiamo oro angos šonuose nykščiais ištraukite oro išleidimo žarną.
- Tinkamai supakuokite oro kondicionierių į minkšto plastiko maišą ir pasidėkite saugioje vietoje, pasirūpinkite, kad jis nedulkėtų ir būtų nepasiekiamas vaikams.
- Iš nuotolinio valdymo pulto išimkite ir tinkamai pasidėkite baterijas.
Pastaba.
Prietaisą sandėliuokite sausoje vietoje. Visus prietaiso priedus reikia tinkamai apsaugoti.
Maitinimo laido laikiklis ir universalus lizdas gali tinkamai apsaugoti maitinimo laidą.
Oro išleidimo anga yra viršuje, tai supaprastina montavimą ir užtikrina greitą oro išleidimą.
Išmani, aplinką tausojanti ir energiją taupanti aušinimo sistema su savaiminiu išgarinimu.
24 val. laikmačio funkcija, apie įjungimą / išjungimą primenanti melodija.
3 minučių atidėjimas kompresoriaus apsaugai ir kitos apsauginės funkcijos.

Wi-Fi funkcija

1. Atsisiųskite ir įdiekite programėlę

Atsisiųskite „Woods Connect“ programėlę iš „App Store“ ar „Google Play“

1. Registruotis / Prisijungti / Pamiršau slaptažodį

Registruotis

Jei programėlėje paskyros neturite, registruokite paskyrą arba prisijunkite su patvirtinimo kodu, kurį gausite per SMS.

Šiame puslapyje apibūdintas registracijos procesas.

1. Palieskite norėdami pereiti į registracijos puslapį.
2. Sistema automatiškai atpažins jūsų buvimo šalį / regioną. Taip pat galite pasirinkti savo šalies kodą. Įveskite mobiliojo telefono numerį/el. paštą ir palieskite „Next“ (Toliau).
3. Jei įvedėte mobiliojo telefono numerį, įveskite patvirtinimo kodą į pranešimą ir įveskite slaptažodį, paliesdami „Confirm“ (Patvirtinti) užbaikite registraciją.
4. Jei įvedėte el. paštą, įveskite slaptažodį ir paliesdami „Confirm“ (Patvirtinti) užbaikite registraciją.

2. Prisijunkite su vartotojo vardu ir slaptažodžiu arba patvirtinimo kodu, gautu per SMS

Prisijunkite su vartotojo vardu ir slaptažodžiu

1. Sistema automatiškai atpažįsta jūsų šalį / regioną. Taip pat galite pasirinkti savo šalies kodą. Įveskite mobiliojo telefono numerį / el. paštą ir palieskite „Next“ (Toliau).
2. Įveskite savo registruotą mobiliojo telefono numerį, el. pašto adresą ir slaptažodį, kad prisijungtumėte.

Prisijunkite naudodami patvirtinimo kodą

1. Palieskite „Sign in with SMS verification“ (Prisijungti su SMS patvirtinimu) naujame puslapyje
2. Sistema automatiškai atpažins jūsų buvimo šalį / regioną. Taip pat galite pasirinkti savo šalies kodą patys.

Pamiršau slaptažodį

Jei pamiršote slaptažodį:

1. Palieskite „Forgot password“ (Pamiršau slaptažodį)
2. Sistema automatiškai atpažįsta jūsų šalį / regioną. Šalies kodą taip pat galite pasirinkti patys. Įveskite mobiliojo telefono numerį/el. paštą ir palieskite „Next“ (Toliau).
3. Įveskite patvirtinimo kodą iš pranešimo / el. laiško ir įveskite naują slaptažodį, palieskite „Confirm“ (Patvirtinti).

Wi-Fi „Woods Connect“ palaiko šias funkcijas:

Maitinimo įjungimas / išjungimas

Aušinimo režimas

Sausinimo režimas

Ventiliatoriaus režimas

Ekonomiško veikimo režimas

Temperatūros nustatymai

Greitis: mažas, vidutinis, didelis

Laikmatis: 1-24 val.

Miego režimas: įj. / išj.

Automatinis valymas: įj. / išj.

Celsijaus / Farenheito laipsniai

Sukimasis: įj. / išj.

3. Norėdami naudotis Wi-Fi, vykdykite instrukcijas programėlėje.

„Smart Home“

Jei turite „Smart Home“ produktą, atlikite 1-3 veiksmus.

Trečiosios šalies prieigos paslau-

ga: Palieskite trečiosios šalies balso paslaugos piktogramą norėdami sužinoti, kaip prisijungti prie paslaugos.

Matysite šias piktogramas

„Smart Home“ „Woods Connect“ palaiko šias balso komandas:

Maitinimo įjungimas / išjungimas

Temperatūros nustatymai

Veikimo režimai

Ventiliatorius režimai

Daugiau informacijos rasite svetainėje

<https://woods.se/en/>

PROBLEMA	PRIEŽASTIS	TRIKČIŲ ŠALINIMAS
Prietaisas neįsijungia nuspaudus įjungimo / išjungimo mygtuką	Prietaisas neprijungtas / Kištukas arba lizdas pažeistas.	Prijunkite arba pakeiskite maitinimo laidą arba lizdą.
	Sulūžęs saugiklis	Pakeiskite saugiklį (3,15 A / 250 kint. sr.)
	Patalpos temperatūra yra žemesnė negu nustatyta temperatūra. (Aušinimo režimu)	Atstatykite temperatūrą
Nepakankamai vėsu	Neuždarytos durys ar langai.	Įsitikinkite, kad visi langai ir durys yra uždaryti.
	Patalpoje yra šilumos šaltinių.	Jei įmanoma, pašalinkite šilumos šaltinius
	Oro išleidimo žarna neprijungta arba užsikimšusi.	Nuvalykite ar prijunkite oro išleidimo žarną.
	Nustatyta per aukšta temperatūra.	Atstatykite temperatūrą
	Oro įleidimo anga blokuojama.	Nuvalykite oro įleidimo angą.
Didelis garsas	Grindys nelygios arba nepakankamai plokščios	Prietaisą pastatykite ant kuo lygesnių ir horizontalių grindų
	Oro kondicionieriuje tekant šaltnešiu girdisi garsas	Tai yra normalu.

Jeigu su sausintuvu iškilo nešiojamas oro kondicionierius, žr. sk. Triukčių diagnostika. Jei patarimai nepadeda, susisiekite su savo oro kondicionieriaus aptarnavimo įmone.

KLAIDŲ KODAI	PRIEŽASTIS	TRIKČIŲ ŠALINIMAS
E2 kodas	Patalpos temperatūros jutiklis sugedo arba yra pažeistas.	Pakeiskite patalpos temperatūros jutiklį
E3 kodas	Sugedo garintuvo temperatūros jutiklis.	Pakeiskite garintuvo temperatūros jutiklį
E4 kodas	Vandens talpykla pilna	Ištuštinkite vandens talpyklą.

Garantijos

2 metų vartotojo garantija dėl gamybos trūkumų nebuvimo. Atkreipkite dėmesį, kad garantija galioja tik pateikus pirkimo kvitą. Garantija galioja tik tuo atveju, jei prietaisas buvo naudojamas pagal instrukcijas ir saugos įspėjimus, pateikiamus šiame vadove. Garantija neapima žalos, atsiradusios dėl netinkamo produkto naudojimo.

PASTABA. 2 metų garantija taikoma tik buitiniams vartotojams, be komerciniam prietaiso naudojimui.



PASTABA!

Užsiregistruokite adresu www.warranty-woods.com ir sužinokite daugiau apie tai, kaip pratęsti garantiją. Daugiau informacijos pateikiama tinklalapyje

Rekomenduojamos sąlygos tinkamam oro sausintuvo veikimui

Aušinimo funkcija geriausiai veikia, kai aplinkos temperatūra yra 17-35 °C, šildymo funkcijai optimali aplinkos temperatūra yra 8-25 °C. Prietaisas veikia iki +43 °C temperatūroje. Saugiklių

TECHNINIAI DUOMENYS	SAC Milan 7K WIFI	AC Milan 9K WIFI	AC Como 12K WIFI
Aušinimo galia	2000 W	2600 W	3500 W
Elektros sąnaudos	750 W	950 W	1250W
Oro srautas:	350 m ³ /h	350 m ³ /h	380 m ³ /h
Energijos klasė	A	A	A
Sausinimas	19 l / 24 val.	24 l / 24 val.	28,8 l / 24 val.
Temperatūros nustatymas	15-31 °C	15-31 °C	15-31 °C
Darbinė temperatūra	16-43°C	16-43°C	16-43°C
EER	2,6	2,6	2,6
Drenažo žarnos ilgis	1,0 m	1,0 m	1,0 m
Skersmens žarnos ilgis	10 mm	10 mm	10 mm
Šaltnešio dujos	R290 / 100 g	R290 / 160 g	R290 / 220 g
Garsumo lygis, dB	61dB	61dB	52dB
Svoris	22 kg	24 kg	25 KG
Matmenys mm, I x P x A	355x350x700	355x350x700	355x350x700

*Gali būti techninių pakeitimų ir patobulinimų. Visos vertės yra apytikrės ir gali skirtis dėl išorinių aplinkybių, pavyzdžiui, temperatūros, vėdinimo ir drėgmės.



*Ši žyma rodo, kad šio gaminio nereikėtų išmesti su kitomis buitinėmis atliekomis visoje ES. Siekiant išvengti galimos nekontroliuojamo atliekų šalinimo sukeltos žalos aplinkai ar žmogaus sveikatai, jį atsakingai utillizuokite, kad būtų skatinamas tvarus pakartotinis materialų išteklių naudojimas. Jei norite įrenginį grąžinti mums, naudokitės grąžinimo ir surinkimo sistemomis arba kreipkitės į pardavėją, kur buvo įsigytas gaminy. Jie gali priimti šį gaminį, kad jis būtų perdirbtas nepakenkiant aplinkai.



*Panaudotos baterijos neturi būti šalinamos kartu su buitinėmis atliekomis, nes baterijose gali būti toksinių elementų ir sunkiųjų metalų, kurie gali būti kenksmingi aplinkai ir žmonių sveikatai. Panaudotas baterijas pristatykite į atitinkamą perdirbimo kompleksą.

WOOD'S TĪRAM UN VESELĪGAM IEKŠTELPU GAISAM

Wood zīmols kopā ar Wood saimi radās pirms vairāk nekā 70 gadiem Kanādas pilsētā Guelph (Ontario). Šeit Wood 1950. gadā sāka izstrādāt un ražot gaisa sausinātājus. Kopš tā laika Wood's palīdzību izmantojušo mājsaimniecību skaits sasniedz vairākus simtus tūkstošu, novēršot mitra pelējuma izraisītos zaudējumus un elpojot tīrāku gaisu. Mūsu pārnēsājami gaisa kondicionētāji ir piemēroti lietošanai vairumā klimatu, kur jauda ir laba pat dažādos temperatūras un mitruma līmeņos. Tie nodrošina labus rezultātus uzkrasūšanās telpās, piemēram, dzīvojamās istabās, birojos un guļamistabās. Gaisa kondicionētāja izvadītā karstā gaisa daudzums ir atkarīgs no temperatūras, mitruma līmeņa un novietojuma. Gaisa kondicionētāja veikspēju var ietekmēt arī ārēji laikapstākļi.

Wood gaisa kondicionētāju ekspluatācija ir droša, un tie ir paredzēti pastāvīgai lietošanai daudzu gadu garumā.

KĀ DARBOJAS GAISA KONDICIONĒŠANAS IERĪCE?

Zems spiediens nodrošina aukstu gaisu. Gaisa kondicionētāja galvenais elements ir aukstumaģents, kas zema spiediena gadījumā tiek pārvērsts par gāzi. Šis process "rada aukstumu", kas tiek pārnest uz iekšpusi, silto gaisu atstājot ārā. Šķidrums aukstumaģents iziet caur izplešanās vārstu un nonāk caurulē, kur ir zems spiediens.

Aukstumaģents iztvaiko un pārvēršas par gāzi. Process absorbē vides siltumu, un caurule tiek atdzesēta. Ventilators auksto gaisu iepūš telpā. Gāze iziet caur kompresoru, kas palielina spiedienu un pārvērš gāzi šķidrumā.

Šajā procesā tiek atbrīvots siltums, kas tiek aizvadīts uz caurulēm pretējā pusē un izpūsts ar ventilatoru.

Termostats izslēdz ierīci, kad iekštelpu gaiss ir pietiekami vēss.

1. DROŠĪBAS BRĪDINĀJUMI



Viegli uzliesmojošs materiāls. Šī ierīce satur R290/ propānu, kas ir viegli uzliesmojošs aukstumaģents.



Skatiet šo rokasgrāmatu, lai iegūtu informāciju par drošību.



Izlasiet tehnisko rokasgrāmatu



Izlasiet operatora rokasgrāmatu.

INFORMĀCIJA PAR DROŠĪBU

Pirms ierīces uzstādīšanas un lietošanas uzmanīgi izlasiet komplektācijā ietvertu instrukciju. Ražotājs neuzņemas atbildību par nepareizas uzstādīšanas un lietošanas izraisītiem savainojumiem un bojājumiem. Vienmēr glabājiet instrukciju ierīces tuvumā turpmākai uzziņai.

Bērnu un neaizsargātu personu drošība

BRĪDINĀJUMS



Traumu vai neatgriezeniskas invaliditātes risks.

Šo ierīci drīkst lietot bērni no 8 gadu vecuma un personas ar fiziskiem, maņu orgānu vai garīgiem traucējumiem, kā arī personas, kurām nav nepieciešamās pieredzes un zināšanu, ja tās ir saņēmušas praktisku apmācību vai

norādījumus par ierīces lietošanu drošā veidā un saprot ar to saistītos apdraudējumus.

Neļaujiet bērniem rotaļāties ar ierīci.

Bērni līdz 3 gadu vecumam nedrīkst tuvoties ierīcei, ja vien viņi netiek nepārtraukti uzraudzīti. Sargājiet visu iepakojumu no bērniem.

Bērni nedrīkst bez uzraudzības veikt tīrīšanu un lietotāja apkopi.

Vispārējā drošība

Šo ierīci ir paredzēts izmantot mājsaimniecībā un tamlīdzīgos pielietojumos, piemēram: ģimenes istabā, dzīvojamā istabā, personāla virtuves zonās veikalos, birojos un citās darba vidēs. Nominālo tehnisko datu plāksnīte atrodas gaisa kondicionētāja sānos vai aizmugurē.

Nodrošiniet, lai ventilācijas atveres nebūtu nosprostotas.

Atkausēšanas procesa paātrināšanai neizmantojiet mehāniskas ierīces vai citus līdzekļus, ko nav ieteicis ražotājs. Ierīci nedrīkst glabāt telpā, kur darbojas uzliesmošanas avoti (piemēram, atklāta liesma, aizdegta gāzes ierīce vai ieslēgts elektriskais sildītājs). Necaurduriet un nededziniet.

Ņemiet vērā, ka aukstumaģentiem var nebūt smaržas. Ierīces tīrīšanai neizmantojiet ūdens smidzinātāju un tvaiku. Tīriet ierīci ar mitru mīkstu drānu. Izmantojiet tikai neitrālus mazgāšanas līdzekļus. Neizmantojiet abrazīvus produktus, abrazīvus tīrīšanas

spilventiņus, šķīdinātājus vai metāla priekšmetus.

Ja ir bojāts strāvas padeves vads, ražotājam, tā pilnvarotam apkopes centram vai līdzīgām kvalificētām personām tas ir jānomaina, lai novērstu apdraudējumu.

DROŠĪBAS NORĀDĪJUMI

Uzstādīšana BRĪDINĀJUMS

Šo ierīci drīkst uzstādīt tikai kvalificēta persona.

Noņemiet visu iepakojumu.

Neuzstādi un nelieto ierīci bojātu ierīci. Ierīce ir jāuzstāda, jālieto un jāglabā telpā, kur uz grīdas ir vismaz 4,2 m²(7 k), 7,7 m²(9 k), 9,6 m²(12 k) brīvas vietas. Izpildiet ierīces komplektācijā ietvertajā uzstādīšanas instrukcijā sniegtos norādījumus.

Pārvietojot ierīci, vienmēr rīkojieties piesardzīgi, jo ierīce ir smaga. Vienmēr lietojiet aizsargcimdus. Ņemiet vērā, ka aukstumaģentiem var nebūt smaržas.

Nodrošini, lai ap ierīci varētu cirkulēt gaiss.

Pirms ierīces pievienošanas strāvas avotam uzgaidiet vismaz 4 stundas. Tā ir jārikojas, lai eļļa varētu ieplūst atpakaļ kompresorā. Neuzstādi ierīci radiatoru vai citu karstuma avotu tuvumā. Neuzstādi ierīci tiešā saules gaismā.

Elektrība BRĪDINĀJUMS

Ugunsgrēka un elektriskās strāvas trieciena risks.

Ierīce ir jāpievieno iezemētai

kontaktligzdai.

Pārlicinieties, vai nominālo tehnisko datu plāksnītē norādītie elektrības dati atbilst strāvas avota parametriem. Ja tā nav, sazinieties ar elektriķi.

Vienmēr izmantojiet pareizi uzstādītu triecienizturīgu kontaktligzdu.

Neizmantojiet vairāku ligzdu adapterus un pagarinātājus. Uzmanieties, lai nesabojātu elektriskās sastāvdaļas (piemēram, strāvas padeves kontaktdakšu un kabeli).

Ja ir jānomaina elektriskās sastāvdaļas, sazinieties ar pilnvaroto apkopes centru vai elektriķi. Strāvas padeves kabelim ir jāatrodas zemāk par strāvas padeves kontaktdakšu. Pievienojiet strāvas padeves kontaktdakšu elektrotīkla kontaktligzdai tikai uzstādīšanas beigās.

Pēc uzstādīšanas pārlicinieties, vai var piekļūt strāvas padeves kontaktdakšai.

Nevelciet strāvas padeves kabeli, lai atvienotu ierīci. Vienmēr velciet strāvas padeves kontaktdakšu.

Lietošana BRĪDINĀJUMS

Savainojumu risks.

Atvienojiet ierīci no strāvas avota. Nogrieziet strāvas padeves vadu un izmetiet to.

Šīs ierīces aukstumaģenta kontūrs nav kaitīgs ozonam. Sazinieties ar pašvaldības iestādi, lai uzzinātu, kā pareizi likvidēt ierīci.

Nesabojāiet siltummaiņa tuvumā esošo dzesēšanas bloka daļu.

Likvidēšana BRĪDINĀJUMS

Savainojumu risks.

Atvienojiet ierīci no strāvas avota. Nogrieziet strāvas padeves vadu un izmetiet to.

Šīs ierīces aukstumaģenta kontūrs nav kaitīgs ozonam. Sazinieties ar pašvaldības iestādi, lai uzzinātu, kā pareizi likvidēt ierīci.

Nesabojāiet siltummaiņa tuvumā esošo dzesēšanas bloka daļu.

GAISA KONDICIONĒTĀJA IESTATĪŠANA UZSTĀDĪŠANAI

2. Uzstādīšana

PIRMS PIRMĀS LIETOŠANAS

Pirms lietošanas ļaujiet ierīcei pastāvēt 2 stundas

Vietas izvēle

Svarīgi

1. Šo gaisa kondicionētāju var ērti pārvietot iekštelpās, pārvietošanas laikā ierīci uzturot vertikālā stāvoklī. Gaisa kondicionētājs jānovieto uz līdzenas virsmas. Šo gaisa kondicionētāju neuzstādi un nedarbiniet vannas istabā vai citā mitrā vidē.

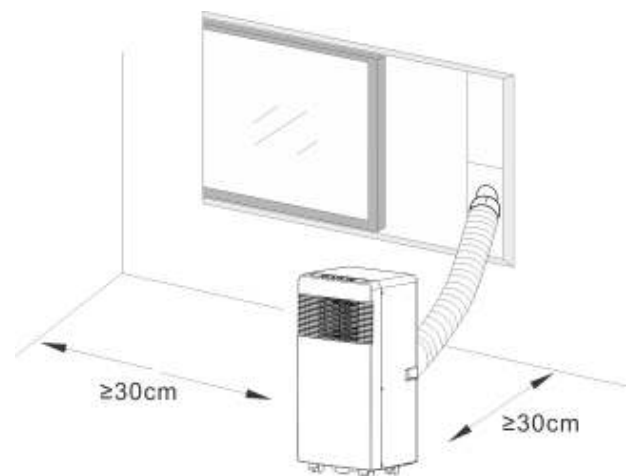
Tā kā pārnēsājams gaisa kondicionētājs ir uz riteņiem, tam var viegli mainīt pozīcijas. Kad ieslēdzas siltums, vienkārši pārvietojiet pārnēsājamo gaisa kondicionētāju telpā un varat ātri sākt telpas dzesēšanu.

Lai nodrošinātu optimālu gaisa kondicionētāja efektivitāti, tas jādarbina slēgtā zonā. Aizveriet visas durvis, logus un citas telpas ārējās atveres. Gaisa kondicionētāja efektivitāte ir atkarīga no temperatūras un mitruma līmeņa.

2. Novietojiet gaisa kondicionētāju vietā, kas neierobežo gaisa plūsmu caur ierīces priekšpusi.

3. Gaisa kondicionētājs, kas darbojas telpā, maz ietekmē vai vispār neietekmē blakusesošās slēgtās novietnes zonas, piemēram, skapja, žāvēšanu, ja zonā un ārpus tās nav atbilstošas gaisa cirkulācijas. Pārnēsājams gaisa kondicionētājs izvada siltumu no iekārtas ar ventilācijas šļūteni caur logu vai izplūdes gaisa vārstu.

4. Nepieciešams vismaz 30 cm attālums starp gaisa kondicionētāju un tuvāko priekšmetu. Atsaucei skatiet attēlu.



PRODUKTA APRAKSTS

3. Izstrādājuma apraksts

A

1. Gaisa izplūdes cauruļvads
2. Gaisa izplūdes cauruļvada savienotājs
3. Logu izplūdes adapteris
4. Tālvadības pults
5. Deflektora plāksne
6. Ūdens noslēgs

B

1. Izstrādājuma attēls no priekšpuses

C

1. Vadības panelis
2. Aukstā gaisa izplūde
3. Signāla receptors
4. Tālvadības pults
5. Transportēšanas rokturis
6. Gaisa izplūdes šļūtene
7. Izтваicētāja gaisa uzņemšana
8. Primārais drenāžas ports

D

1. Izstrādājuma attēls no augšas

E

1. Taimeris/temperatūras palielināšanas poga
2. Taimeris / Temperatūras samazināšanas poga
3. Automātiska dzesēšana
Sausināšanas un ventilatora režīms
4. WIFI
5. Botón de modo de reposo y bloqueo infantil
6. Pagriešana
7. Taimera poga
8. Režīma poga
9. Ātruma poga
10. Barošanas poga
11. Mazs, liels ventilatora ātrums
12. Jaudas indikators / bērnu drošības fiksators

F

1. Filtra ekrāna tīrīšanas shematiska diagramma

G

1. POGA
Ieslēgt/izslēgt
2. POGA
Nospiediet šo pogu, lai atlasītu darbības režīmu.
3. POGA
Izmanto, lai secīgi atlasītu ventilatora ātrumu.
4. un IESTATĪŠANAS POGAS
Naudojami reguliuoti patalpos temperatūrā ir
5. laikmatī.
6. POGA
Izmanto, lai iestatītu vai atceltu režīma darbību.
7. POGA
Izmanto, lai iestatītu automātiskas izslēgšanas un automātiskas ieslēgšanas laiku.
8. POGA
Izmanto, lai iestatītu automātisku pagriešanu.

H

1. Pagriežot ievietojiet abus izplūdes šļūtenes galus šļūtenes savienotājā.

I

1. Ievads izplūdes šļūtenes uzstādīšanā

J

1. Ievads izplūdes šļūtenes uzstādīšanā

K

1. Logu slīdņu komplekta uzstādīšana

L

1. Pievienot drenāžas šļūteni

EKSPLUATĀCIJAS REŽĪMU FUNKCIJAS UN UZSTĀDĪŠANAS APRAKSTI

A. Piederumi

Pēc izsaiņošanas pārbaudiet, vai ir iekļauti iepriekš minētie piederumi, kā arī skatiet informāciju par to pielietojumu ievadā par uzstādīšanu šajā rokasgrāmatā.

B. Mobilais gaisa kondicionētājs

J. Tālvadības pults izskats un funkcija. Piezīmes. Nenometiet tālvadības pulti. Nenovietojiet tālvadības pulti tiešas saules gaismas skartā vietā.

M. Lietošanas norādījumi

Pirms šajā nodaļā aprakstīto darbību uzsākšanas:

- 1) Atrodiet vietu, kur tuvumā ir pieejams strāvas avots.
- 2) Uzstādiet izplūdes šļūteni un rūpīgi noregulējiet loga pozīciju.
- 3) Rūpīgi pievienojiet noteces šļūteni (tikai modelim ar apsildi).
- 4) Strāvas vadu ievietojiet iezemētā maiņstrāvas 220~240 V/50 Hz kontaktligzdā.
- 5) Nospiediet barošanas pogu, lai ieslēgtu gaisa kondicionētāju.

K&L. Ievads izplūdes šļūtenes uzstādīšanā

A) Pagaidu uzstādīšana

1. Pagriežot ievietojiet abus izplūdes šļūtenes galus šļūtenes savienotājā.
2. Ievietojiet kvadrātveida fiksējošo skavu gaisa izplūdes vietā gaisa kondicionētāja aizmugurē.
3. Otru izplūdes šļūtenes galu novietojiet tuvumā esošajā loga ailē.

N. Logu slīdņu komplekta uzstādīšana
Logu slīdņu komplektu parasti uzstāda horizontāli vai vertikāli. Pirms uzstādīšanas noskaidrojiet loga izmērus, kā norādīts 5. un 5a. attēlos.

1. Uzstādiet loga komplektu uz loga.
2. Noregulējiet logu slīdņu komplekta garumu atbilstoši loga platumam vai augstumam un nofiksējiet ar tapu.
3. Loga savienotāja šļūteni ievietojiet logu komplekta atverē.

O. Funkcija Trauksme par pilnu iekšējo ūdens tvertni

Gaisa kondicionētāja iekšējai ūdens tvertnei ir viens ūdens līmeņa drošības slēdzis, kas kontrolē ūdens līmeni. Kad ūdens daudzums sasniedz noteiktu līmeni, iedegas pilnas ūdens tvertnes indikators. Displejā parādīsies kļūdas kods "E4". (Ja ūdens sūknis ir bojāts un tvertne ir pilna, lūdzu, noņemiet gumijas sprūdu iekārtas lejasdaļā, lai iztecinātu ūdeni.)

Filtra regulāra tīrīšana ir ļoti svarīga; citādi gaisa kondicionētājam var zust jauda un pastāv pat tā nopietnu bojājumu risks.

H. Deklarācija skaidrojumiem par uzturēšanu:

- 1) Pirms tīrīšanas noteikti atvienojiet ierīci no jebkāda strāvas avota.
- 2) Ierīces tīrīšanai neizmantojiet benzīnu vai citus ķīmiskus līdzekļus.
- 3) Tieši nemazgājiet ierīci.
- 4) Ja kondicionētājs ir bojāts, lūdzu, sazinieties ar izplatītāju vai remontdarbniecu.

1. Gaisa filtrs

- Ja gaisa filtru nosprosto putekļi/netīrumi, tas jātīra ik pēc divām nedēļām. - Demontāža

Atveriet gaisa ieplūdes režģi un izņemiet gaisa filtru.

- Tīrīšana

Notīriet gaisa filtru ar neitrālu tīrīšanas līdzekli remdenā ūdenī (40 °C) un ļaujiet tam nožūt ēnā.

- Montāža

Novietojot gaisa filtru ieplūdes režģī, uzstādiet komponentus vietās, kur tie iepriekš bija.

2. Vispirms tīriet gaisa kondicioniera virsmu ar neitrālu tīrīšanas līdzekli un mitru drānu, pēc tam noslaukiet ar sausu drānu.

E. Pirms lietošanas

Pārbaudiet, vai izplūdes šļūtene ir pareizi uzstādīta.

Piesardzības pasākumi dzesēšanas un sausināšanas darbībām: - Izmantojot dzesēšanas un sausināšanas funkcijas, pirms katras darbības aktivizēšanas ievērojiet vismaz 3 minūšu intervālu.

- Strāvas avots atbilst prasībām.

- Kontaktligzda ir maiņstrāvas.

- Nelietojiet to pašu kontaktligzdu citām ierīcēm.

- Strāvas padeve ir maiņstrāvas, 220-240 V, 50 Hz.

1. Ieslēdziet ierīci

a) Pieslēdziet to, pēc tam ierīce vienreiz iepikstas, Deg strāvas indikators.

b) Nospiediet pogu "⏻", tad ierīce ir ieslēgta.

c) Gaismas diode parāda istabas temperatūru sadaļā Automātiskais režīms.

2. Dzesēšanas darbība

- Spiediet pogu "Režīms", līdz parādās dzesēšanas ikona.

-Nospiediet pogu "+" vai "-", lai atlasītu vēlamo istabas temperatūru.

(15 °C -31 °C)

Nospiediet pogu "Ventilatora ātrums", lai izvēlētos gaisa plūsmas ātrumu.

3. Sausināšanas darbība Nospiediet pogu "Mode", līdz parādās ikona "Dehumidify".

-Automātiski iestatīt izvēlēto temperatūru uz pašreizējo istabas temperatūru minus 2 °C .

- Automātiski iestatiet zemu ventilatora motora ātrumu.

4. Ventilatora darbība

- Spiediet pogu "Režīms", līdz parādās ventilatora ikona.

Nospiediet pogu "Ventilatora ātrums", lai izvēlētos gaisa plūsmas ātrumu.

5. Sildīšanas darbība (šī funkcija nav pieejama aukstai atsevišķai vienībai)

-Spiediet pogu "Režīms", līdz parādās ikona "Sildīšana".

-Nospiediet pogu "+" vai "-", lai atlasītu

EKSPLUATĀCIJAS REŽĪMU FUNKCIJAS UN UZSTĀDĪŠANAS APRAKSTI

vēlamo telpas temperatūru.

(15 °C -31 °C)

Nospiediet pogu "Ventilatora ātrums", lai izvēlētos gaisa plūsmas ātrumu.

6. 🕒 Taimera darbība

a) Kamēr ierīce darbojas, nospiediet pogu "Timer", lai iestatītu automātiskās izslēgšanas laiku.

b) Kamēr ierīce ir gatava, nospiediet pogu "Timer", lai iestatītu automātiskās izslēgšanas laiku.

c) Laiku var pielāgot 1–24 stundu diapazonā. Nospiediet temperatūras

palielināšanas "+" vai temperatūras

samazināšanas "-" pogu, lai palielinātu vai samazinātu laiku par 1 stundu, nospiežot vienreiz.

7. 😴 Darbība

a) 😴 Darbība ir efektīva, ja ierīce ir 🌙 režīmā.

b) Nospiediet 😴 pogu 🌙 režīmā, tad ierīce darbosies miega režīmā un augšējais centrālās ventilators automātiski pārslēgsies uz mazu ātrumu. Iestatītā temperatūra pēc vienas stundas pieaugs par 1 °C un pēc divām stundām — par 2 °C. Pēc sešām stundām ierīce pārtrauks darbu.

8. 🔄 Darbība

a) ja ir aktivizēta pagriešanas poga, pagriešanas lāpstiņa automātiski šūpojas augšup un lejup. Ja vēlaties apturēt, vēlreiz nospiediet pogu.

Uzturēšana

Notīriet ierīci ar mīkstu, mitru drānu.

Neizmantojiet šķīdinātājus vai spēcīgus tīrīšanas līdzekļus, jo tā var sabojāt ierīces virsmu

Tehniskā apkope

Ja gaisa kondicionētājam ir nepieciešama tehniskā apkope, vispirms jāsazinās ar vietējo mazumtirgotāju. Visām garantijas prasībām ir nepieciešams pirkuma

apliecinājums.

Glabāšanas norādījumi

Glabāšana sezonas beigās

1) Noskrūvējiet drenāžas vāku un izvelciet aizbāzni, lai pilnībā izlaistu kondensāta ūdeni.

2) Turpiniet darbināt iekārtu ventilatora režīmā pusi dienas, lai pilnībā izžvētu iekšpusi un novērstu pelējuma veidošanos.

3) Izslēdziet iekārtu, izvelciet kontaktdakšu un pēc tam aptiniet strāvas vadu ap stiepļu tinuma statni, ievietojiet spraudni universālā stiprinājuma caurumā iekārtas aizmugurējā panelī, uzstādiet ūdens aizbāzni un drenāžas vāku.

4) Izņemiet siltuma izplūdes šļūtenes montāžu, notīriet un glabājiet to pareizi. Piezīmes.

Izņemšanas laikā izplūdes šļūtenes komplektu turiet ar abām rokām. Stiprinājumus ar īkšķiem paspiediet malu virzienā uz izplūdes gaisa izvadi, pēc tam izvelciet izplūdes šļūtenes montāžu.

5) Pareizi iesaiņojiet gaisa kondicionētāju mīkstā plastmasas maisā un nolieciet sausā vietā, pienācīgi aizsargājot pret putekļiem, un sargājiet iekārtu no bērniem.

6) Izņemiet akumulatorus no tālvadības pults un pareizi noglabājiet.

Piezīme.

Nodrošiniet iekārtas glabāšanu sausā vietā.

Visi iekārtas piederumi ir pienācīgi jāaizsargā kopā.

Strāvas vada turētājs un universālā ligzda var labi aizsargāt strāvas vadu.

Augsta izplūdes gaisa izvades vieta, viegla montāža un ātra vēdināšana.

Inteliģenta, videi draudzīga un enerģiju taupoša iekārta ar pašiztvaikojošu dzesēšanas sistēmu.

24 stundu taimera funkcija, unikāla

ieslēgšanas/izslēgšanas atgādinājuma mūzika.

3 minūšu aizkave, restartējot aizsardzību kompresoram un citas daudzkārtējas aizsardzības funkcijas.

WiFi funkcija

1. Lejupielādējiet un instalējiet LIETOTNI

Lejupielādējiet lietotni Woods Connect no App Store vai Google Play

1. Reģistrēties / pieteikties / aizmirsta parole

Reģistrēties

Ja jums nav lietotnes konta, reģistrējiet kontu vai reģistrējieties ar īsziņā saņemto verifikācijas kodu. Šajā lapā ir aprakstīts reģistrācijas process.

1. Pieskarieties, lai atvērtu reģistrācijas lapu
2. Sistēma automātiski atpazīst jūsu valsti/apgabalu. Varat arī atlasīt savu valsts kodu. Ievadiet mobilā tālruņa numuru / e-pasta adresi un pieskarieties Tālāk.
3. Ja ievadijāt mobilā tālruņa numuru, ievadiet verifikācijas kodu no ziņojuma un paroli, pieskarieties Apstiprināt, lai pabeigtu reģistrāciju.
4. Ja ievadijāt e-pasta adresi, ievadiet paroli un pieskarieties Apstiprināt, lai pabeigtu reģistrāciju.

2. Reģistrējieties ar lietotājvārdu un paroli vai verifikācijas kodu, izmantojot īsziņu

Reģistrējieties ar lietotājvārdu un paroli

1. Sistēma automātiski atpazīst jūsu valsti/apgabalu. Varat arī atlasīt savu valsts kodu. Ievadiet mobilā tālruņa numuru / e-pasta adresi un pieskarieties Tālāk
2. Ievadiet savu reģistrēto mobilā tālruņa numuru vai e-pasta adresi un paroli, lai pieteiktos.

Pierakstieties ar verifikācijas kodu

1. Pieskarieties opcijai Reģistrēties ar īsziņas verifikāciju jaunai lapai
2. Sistēma automātiski atpazīst jūsu valsti/apgabalu. Varat arī pats atlasīt savas valsts kodu.

Aizmirsta paroli

Ja aizmirsta parole, lūdzu, veiciet šīs procedūras:

1. Pieskarieties opcijai Aizmirsta parole
2. Sistēma automātiski atpazīst jūsu valsti/apgabalu. Varat arī pats atlasīt savas valsts kodu. Ievadiet mobilā tālruņa numuru / e-pasta adresi un pieskarieties Tālāk.
3. Ievadiet verifikācijas kodu no ziņojuma/e-pasta, ievadiet jauno paroli un pieskarieties Apstiprināt, lai pabeigtu.

WiFi Woods Connect atbalsta šīs funkcijas:

leslēgšana/izslēgšana

Dzesēšanas režīms

Sausināšanas režīms

Ventilatora režīms

Eko režīms

Temperatūras iestatījumi

Ātrums: Zems, vidējs un augsts

Taimeris: 1-24 h

Miega režīms: leslēgt/izslēgt

Automātiska tīrīšana: leslēgt/izslēgt

Pēc Celsija/Fārenheita

Pagriešana: leslēgt/izslēgt

3. Sekojiet procedūrām LIETOTNĒ, lai izbaudītu WiFi.

Smart Home

Ja jums ir Smart Home izstrādājums, lūdzu veiciet 1.-3. darbību.

Trešās personas piekļuves pakalpojums: Pieskarieties trešās personas balss pakalpojuma ikonai, lai skatītu, kā izveidot savienojumu ar pakalpojumu. Jūs atradīsiet šīs ikonas

Smart Home Woods Connect atbalsta šīs funkcijas ar balss komandu:

leslēgšana/izslēgšana
Temperatūras iestatījumi
Darba režīmi
Fan režīmi

Papildinformāciju skatiet šeit:
<https://woods.se/en/>

PROBLĒMA	CĒLONIS	RISINĀJUMS
Ierīce neieslēdzas, nospiežot ieslēgšanas/izslēgšanas pogu.	Nav pieslēgta / bojāta kontaktdakša vai kontaktlīgza.	Pieslēdziet vai nomainiet barošanu vai kontaktlīgzdu.
	Bojāts drošinātājs	Nomainiet drošinātāju (3,15 A/250 maiņstrāva)
	Telpas temperatūra ir mazāka par iestatīto temperatūru. (Dzesēšanas režīms)	Atiestatīt temperatūru
Nav pietiekami vēss	Durvis vai logi nav aizvērti.	Pārliecinieties, vai visi logi un durvis ir aizvērti.
	Telpā ir siltuma avoti.	Ja iespējams, aizvēciet siltuma avotus.
	Gaisa izplūdes šļūtene nav savienota vai ir nosprostota.	Pievienojiet vai iztīriet gaisa izplūdes šļūteni.
	Temperatūras iestatījums ir pārāk liels.	Atiestatīt temperatūru
	Gaisa ieplūde ir bloķēta.	Iztīriet gaisa ieplūdi.
Liels troksnis	Pamats nav līdzens vai pietiekami gluds	Ja iespējams, novietojiet ierīci uz līdzena un gluda pamata
	Aukstumaģenta plūsma gaisa kondicionētāja iekšpusē rada skaņu.	Tā ir normāla parādība.

Ja rodas problēmas ar portatīvo gaisa kondicionieri, skatiet tālāk norādīto informāciju par problēmu novēršanu. Ja neviens no tālāk norādītajiem risinājumiem nenovērš problēmu, lūdzam sazināties ar mazumtirgotāju par gaisa kondicionētāja apkopi.

KĻŪDU KODI	CĒLONIS	RISINĀJUMS
E2 kods	Telpas temperatūras sensora kļūme vai bojājums.	Nomainiet telpas temperatūras sensoru
E3 kods	Iztvaicētāja temperatūras sensora kļūme.	Nomainiet iztvaicētāja temperatūras sensoru
E4 kods	Pilna ūdens tvertne	Lūdzam, iztukšojiet ūdens tvertni.

Garantija

2 gadu lietotāja garantija pret ražošanas kļūmēm. Lūdzu, ņemiet vērā, ka garantija ir derīga, tikai uzrādot pirkuma čeku. Garantija ir spēkā tikai tad, ja ierīce tiek izmantota atbilstoši šajā rokasgrāmatā sniegtajiem norādījumiem un brīdinājumiem par drošību. Garantija neattiecas uz jebkādiem bojājumiem, kas radušies nepareizas rīcības dēļ ar ierīci.

PIEZĪME. 2 gadu garantija attiecas tikai uz lietošanu mājstaiņniecībās, nevis uz ierīces komerciālu izmantošanu.



PIEZĪME.

Reģistrējieties vietnē www.warranty-woods.com un izlasiet, kā saņemt paplašināto garantiju. Lai iegūtu papildinformāciju, apmeklējiet vietni

Ieteicamie lietošanas diapazoni

Optimālā vides temperatūra darbībai ir 17-35 °C un sildīšanai — 8-25 °C. Iekārta darbojas līdz + 43 °C. Drošinātāja parametrs: $\phi 5,0 \times 20$ mm 3,15 A, 250 V maiņstrāva.

TEHNISKIE DATI	AC Milan 7K WIFI	AC Milan 9K WIFI	AC Como 12K WIFI
Dzesēšanas jauda	2000 W	2600 W	3500 W
Enerģijas patēriņš	750 W	950 W	1250 W
Gaisa plūsma:	350 m ³ /h	350 m ³ /h	380 m ³ /h
Enerģijas klase	A	A	A
Sausināšana	19 L / 24 h	24 L / 24 h	28,8 l/24 h
Temperatūras iestatījums	15-31 °C	15-31 °C	15-31 °C
Darba temperatūra	16-43 °C	16-43 °C	16-43 °C
EER	2,6	2,6	2,6
Drenāžas šļūtenes garums	1,0 m	1,0 m	1,0 m
Diametrs šļūtenes garums	10 mm	10 mm	10 mm
Aukstumaģenta gāze	R290/100 g	R290/160 g	R290/220 g
Skaņas līmenis decibelos	61dB	61dB	52 dB
Svars	22 kg	24 kg	25 KG
Izmēri mm, L x B x H	355x350x700	355x350x700	355x350x700

*Var tikt veiktas tehniskas izmaiņas un uzlabojumi. Visas vērtības ir aptuvenas un var atšķirties ārēju apstākļu, piemēram, temperatūras, ventilācijas un mitruma, ietekmē.



*Šis marķējums norāda, ka ES valstīs šo produktu nedrīkst izmest kopā ar sadzīves atkritumiem. Lai novērstu nekontrolētas atkritumu izmešanas izraisīto iespējamo kaitējumu videi un cilvēku veselībai, utilizējiet produktu atbildīgi, lai veicinātu materiālu resursu ilgtspējīgu izmantošanu. Nododiet ierīci pārstrādei, izmantojot vietējos atgriešanas/savākšanas pakalpojumus, vai sazinieties ar izplatītāju, pie kura iegādājāties izstrādājumu. Mazumtirgotājs var parūpēties par videi drošu produkta atkārtotu pārstrādi.

ARIA INTERNA PULITA E SANA CON WOODS

Il marchio Wood's è nato con la famiglia Wood oltre 70 anni fa nella città canadese di Guelph, Ontario. È qui che Wood ha iniziato a sviluppare e produrre deumidificatori nel 1950. Da allora Wood's ha aiutato diverse centinaia di migliaia di famiglie a prevenire danni causati dall'umidità della muffa e a respirare un'aria più pulita. I nostri condizionatori d'aria portatili sono adatti per l'uso nella maggior parte dei contesti climatici e garantiscono buone prestazioni a diverse temperature e con diversi gradi di umidità. Vengono utilizzati con buoni risultati in ambienti che si riscaldano, come soggiorni, uffici o camere da letto. La quantità di aria calda rimossa dal condizionatore dipende dalla temperatura, dal livello di umidità e dal posizionamento. Anche le condizioni atmosferiche esterne possono influire sulle prestazioni del condizionatore d'aria.

I condizionatori d'aria Wood's sono sicuri e destinati all'uso continuo per molti anni.

COME FUNZIONA L'UNITÀ DI CONDIZIONAMENTO DELL'ARIA?

La bassa pressione produce aria fredda. L'elemento principale del condizionatore d'aria è un refrigerante, che a bassa pressione viene convertito in gas. Il processo "crea freddo", che viene trasmesso verso l'interno mantenendo l'aria calda fuori.

Un refrigerante liquido viene fatto passare attraverso una valvola d'espansione e in una tubazione dove la pressione è bassa. Il refrigerante evapora e si trasforma in gas. Il processo assorbe il calore dall'ambiente circostante e il tubo si raffredda. Un ventilatore soffia aria fredda nella stanza. Il gas passa attraverso un compressore, che ne aumenta la pressione e lo trasforma in liquido.

In questo processo, il calore rilasciato viene portato ai tubi sul lato opposto e spinto fuori da una ventola.

Quando l'aria interna è sufficientemente fredda, un termostato spegne l'unità.

1. AVVERTENZE DI SICUREZZA



Materiale infiammabile. Questo apparecchio contiene R290 (propano), un refrigerante infiammabile.



Fare riferimento al presente manuale per informazioni sulla sicurezza.



Leggere il manuale tecnico



Leggere il manuale degli operatori.

INFORMAZIONI SULLA SICUREZZA

Prima dell'installazione e dell'uso dell'apparecchio, leggere attentamente le istruzioni fornite. Il produttore non è responsabile per lesioni e danni causati da un'installazione errata. Conservare sempre le istruzioni con l'apparecchio per poterle consultare in futuro.

Sicurezza dei bambini e delle persone vulnerabili



AVVERTENZA Rischio di lesioni o invalidità permanente.

L'apparecchio può essere utilizzato da bambini di età superiore agli 8 anni e da persone con ridotte capacità fisiche, sensoriali o mentali

o con mancanza di esperienza e conoscenza, a condizione che siano sottoposti a supervisione o abbiano ricevuto istruzioni sull'uso sicuro dell'apparecchio e ne comprendano i pericoli. Non lasciare che i bambini giochino con l'apparecchio.

Tenere lontani i bambini di età inferiore ai 3 anni, a meno che non siano continuamente sorvegliati. Tenere tutti gli imballi fuori dalla portata dei bambini. Le operazioni di pulizia e di manutenzione non devono essere effettuate da bambini senza sorveglianza.

Sicurezza generale

Questo apparecchio è destinato ad essere utilizzato in applicazioni domestiche e simili quali: Camere familiari, salotti, cucine per il personale nei negozi, uffici e altri ambienti di lavoro. La targhetta dei dati tecnici si trova sul lato o sul retro del condizionatore d'aria. Tenere le aperture di ventilazione libere da ostruzioni.

Per accelerare il processo di sbrinamento non utilizzare dispositivi meccanici o altri mezzi diversi da quelli raccomandati dal produttore.

L'apparecchio non deve essere conservato in ambienti in cui siano presenti fonti di ignizione (esempio: fiamme libere, apparecchi a gas o riscaldatori elettrici in funzione). Non perforare o bruciare.

Tenere presente che i refrigeranti possono essere inodori. Non

utilizzare acqua nebulizzata e vapore per pulire l'apparecchio. Pulire l'apparecchio con un panno morbido umido. Utilizzare solo detergenti neutri. Non utilizzare prodotti abrasivi, spugne abrasive, solventi e oggetti metallici. Se il cavo di alimentazione è danneggiato, la sostituzione deve essere effettuata dal produttore, dal suo centro di assistenza autorizzato o da persone altrettanto qualificate, al fine di evitare pericoli.

ISTRUZIONI DI SICUREZZA

Installazione

AVVERTENZA

L'installazione di questo apparecchio deve essere effettuata solo da personale qualificato. Eliminare tutti gli imballaggi. Non installare né utilizzare l'apparecchio se danneggiato. L'apparecchio deve essere installato, messo in funzione e conservato in un ambiente con una superficie superiore a 4,2 m² (7k), 7,7 m² (9k), 9,6 m² (12k). Attenersi alle istruzioni di installazione fornite con l'apparecchio. Prestare sempre attenzione quando si sposta l'apparecchio in quanto è pesante. Indossare sempre guanti di sicurezza. Tenere presente che i refrigeranti possono essere inodori.

Assicurarsi che l'aria possa circolare intorno all'apparecchio. Attendere almeno 4 ore prima di collegare l'apparecchio all'alimentatore. In questo modo

l'olio ritorna nel compressore. Non installare l'apparecchio vicino a radiatori o altre fonti di calore. Non installare l'apparecchio in presenza di luce solare diretta.

Informazioni elettriche

AVVERTENZA

Rischio di incendio e di scosse elettriche. L'apparecchio deve essere collegato a una presa con messa a terra. Assicurarsi che l'alimentazione corrisponda alle informazioni elettriche riportate sulla targhetta con i dati tecnici. In caso contrario, rivolgersi a un elettricista.

Utilizzare sempre una presa antiurto correttamente installata. Non utilizzare adattatori multi-presa e prolunghe. Assicurarsi di non causare danni ai componenti elettrici (ad esempio spina di alimentazione, cavo di alimentazione). Per la sostituzione dei componenti elettrici, rivolgersi al centro di assistenza autorizzato o a un elettricista. Il cavo di alimentazione deve rimanere al di sotto del livello della spina. Collegare la spina alla presa di alimentazione solo al termine dell'installazione. Accertarsi che dopo l'installazione sia possibile accedere alla spina di alimentazione. Per scollegare l'apparecchio non tirare il cavo di alimentazione. Tirare sempre la spina.

Uso

AVVERTENZA

Rischio di lesioni, ustioni, scosse elettriche o incendi. Non modificare le specifiche di questo apparecchio. Prestare attenzione a non danneggiare il circuito del refrigerante. Contiene propano (R290), un gas naturale con un alto livello di compatibilità ambientale. Questo gas è infiammabile. In caso di danni al circuito del refrigerante, assicurarsi che non vi siano fiamme e fonti di ignizione nella stanza. Ventilare l'ambiente. Non collocare prodotti infiammabili o oggetti bagnati con prodotti infiammabili vicino o sopra l'apparecchio.

Smaltimento

AVVERTENZA

Rischio di lesioni. Scollegare l'apparecchio dall'alimentazione. Tagliare il cavo di alimentazione e smaltirlo. Il circuito del refrigerante di questo apparecchio è privo di ozono. Contattare le autorità locali per informazioni su come smaltire correttamente l'apparecchio. Non danneggiare la parte dell'unità di raffreddamento che si trova vicino allo scambiatore di calore.

CONFIGURAZIONE DEL CONDIZIONATORE D'ARIA PER L'INSTALLAZIONE

2. Installazione

PRIMA DEL PRIMO UTILIZZO

Lasciare la macchina in posizione verticale per 2 ore prima dell'uso e selezionare una posizione

Importante

1. Questo condizionatore d'aria può essere spostato comodamente, mantenere l'unità in posizione verticale durante lo spostamento. Il condizionatore d'aria deve essere posizionato su una superficie piana.

Non installare o azionare questo condizionatore d'aria in bagno o in altri ambienti umidi.

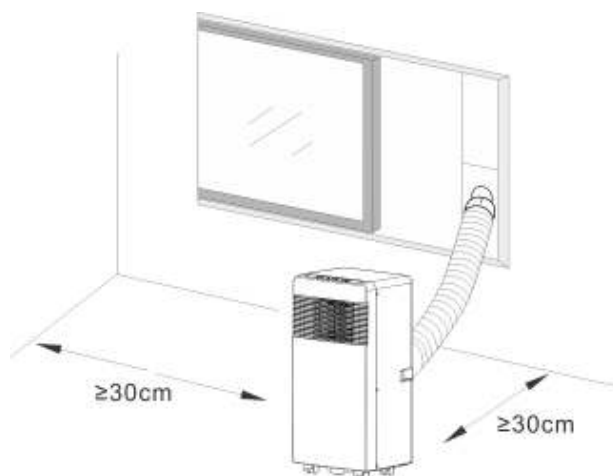
Poiché il condizionatore d'aria portatile è dotato di ruote, è facile da spostare. Una volta acceso, è sufficiente spostare il condizionatore portatile in una stanza per iniziare rapidamente a raffreddare l'ambiente.

Il condizionatore d'aria deve essere utilizzato in un ambiente chiuso per essere più efficace. Chiudere tutte le porte, le finestre e altre aperture esterne alla stanza. L'efficacia del condizionatore d'aria dipende dal livello di temperatura e umidità.

2. Collocare il condizionatore d'aria in un punto che non limiti il flusso d'aria verso la parte anteriore dell'unità.

3. Un condizionatore d'aria in funzione all'interno di una stanza avrà poco o nessun effetto nell'asciugare uno spazio di stoccaggio adiacente chiuso, come un armadio, a meno che non vi sia un'adeguata circolazione dell'aria dentro e fuori da tale spazio. Un condizionatore d'aria portatile espelle il calore dall'unità mediante un tubo di ventilazione attraverso una finestra o una valvola di sfogo.

4. Tra il condizionatore d'aria e l'oggetto più vicino deve esserci una distanza minima di 30 cm. Vedere l'immagine come riferimento.



DESCRIZIONE DEL PRODOTTO

3. Descrizione del prodotto

- | | | |
|--|--|---|
| <p>A</p> <ol style="list-style-type: none"> 1. Condotto di sfiato dell'aria 2. Connettore del condotto di sfiato dell'aria 3. Adattatore sfiato finestra 4. Telecomando 5. Placca deflettori 6. Presa d'acqua <p>B</p> <ol style="list-style-type: none"> 1. Vista frontale del prodotto <p>C</p> <ol style="list-style-type: none"> 1. Pannello di controllo 2. Presa d'aria fredda 3. Recettore del segnale 4. Telecomando 5. Maniglia di trasporto 6. Tubo di uscita dell'aria 7. Presa d'aria dell'evaporatore 8. Porta di scarico primaria <p>D</p> <ol style="list-style-type: none"> 1. Vista dall'alto del prodotto <p>E</p> <ol style="list-style-type: none"> 1.  Pulsante Timer / Temperatura su 2.  Pulsante Timer / Temperatura giù 3.  Raffreddamento automatico
Modalità deumidificazione e ventilazione 4.  WIFI 5.  Botón de modo de reposo y bloqueo infantil 6.  Oscillazione 7.  Pulsante Timer 8.  Pulsante Modalità 9.  Pulsante Velocità 10.  Pulsante Accensione 11.  Velocità della ventola bassa, alta 12.  Indicatore di alimentazione/Blocco di sicurezza | <p>F</p> <ol style="list-style-type: none"> 1. Diagramma schematico della pulizia dello schermo del filtro <p>G</p> <ol style="list-style-type: none"> 1.  PULSANTE
Accensione/spegnimento 2.  PULSANTE
Premere questo pulsante per selezionare la modalità di funzionamento. 3.  PULSANTE
Utilizzato per selezionare la velocità della ventola in sequenza. 4.  e  PULSANTI DI IMPOSTAZIONE
utilizzati per regolare la temperatura ambiente e il timer. 5.  PULSANTE
Utilizzato per impostare o annullare la  modalità di funzionamento. 6.  PULSANTE
Utilizzato per impostare l'ora di spegnimento automatico e di accensione automatica. 7.  PULSANTE
Utilizzato per impostare l'oscillazione automatica. | <p>H</p> <ol style="list-style-type: none"> 1. Ruotare entrambe le estremità del tubo di sfiato nel connettore del tubo. <p>I</p> <ol style="list-style-type: none"> 1. Introduzione all'installazione del tubo di sfiato <p>J</p> <ol style="list-style-type: none"> 1. Introduzione all'installazione del tubo di sfiato <p>K</p> <ol style="list-style-type: none"> 1. Installazione del kit di scorrimento per finestre <p>L</p> <ol style="list-style-type: none"> 1. Collegare il tubo di scarico |
|--|--|---|

FUNZIONE DELLE MODALITÀ DI FUNZIONAMENTO E DESCRIZIONI RELATIVE ALL'INSTALLAZIONE

A. Accessori

Dopo aver estratto l'apparecchiatura dall'imballo, verificare che gli accessori di cui sopra siano inclusi e verificarne l'uso nell'introduzione all'installazione di questo manuale.

B. Condizionatore d'aria portatile

J. Aspetto e funzione del telecomando.

Note:- Non far cadere il telecomando. Non posizionare il telecomando in un luogo esposto alla luce solare diretta.

M. Introduzione al funzionamento

Prima di dare inizio alle operazioni di questa sezione:

- 1) Trovare un luogo con una presa di alimentazione nelle vicinanze.
- 2) Installare il tubo di sfiato e regolarlo bene in base alla posizione della finestra.
- 3) Collegare bene il tubo di scarico (solo per l'utilizzo del modello per il riscaldamento);
- 4) Inserire il cavo di alimentazione in una presa CA 220~240 V/50 Hz con messa a terra;
- 5) Premere il pulsante di accensione per avviare il condizionatore d'aria.

K&L. Introduzione all'installazione del tubo di sfiato

A) Installazione temporanea

1. Ruotare entrambe le estremità del tubo di sfiato nel connettore del tubo.
2. Inserire la clip di fissaggio quadrata nella presa d'aria sul retro del condizionatore d'aria
3. Collocare l'altra estremità del tubo di sfiato sul davanzale della finestra.

N. Installazione del kit di scorrimento per finestre

La modalità di installazione del kit di scorrimento per finestre è per lo più in "orizzontale" e "verticale". Come mostrato in Fig. 5 e Fig. 5a, controllare le dimensioni minime e massime della finestra prima dell'installazione.

1. Installare il kit sulla finestra;
2. Regolare la lunghezza del kit di

scorrimento per finestre in base alla larghezza o all'altezza della finestra e fissarla con il tassello;

3. Inserire il tubo del connettore finestra nel foro del kit per finestre.

O. Funzione di allarme per serbatoio interno dell'acqua pieno

Il serbatoio interno dell'acqua nel condizionatore d'aria è dotato di un interruttore di sicurezza per controllare il livello dell'acqua. Quando il livello dell'acqua raggiunge una determinata altezza, la spia di indicazione del pieno si accende. Sul display verrà visualizzato il codice di errore "E4". (Se la pompa dell'acqua è danneggiata, quando l'acqua è al livello massimo, rimuovere il blocco di gomma sul fondo dell'unità, tutta l'acqua verrà scaricata all'esterno.)

È molto importante che il filtro venga pulito regolarmente, altrimenti il condizionatore d'aria potrebbe perdere di capacità ed essere persino gravemente danneggiato.

H. Spiegazioni relative alla manutenzione:

- 1) Prima della pulizia, assicurarsi di scollegare l'unità da qualsiasi presa di alimentazione elettrica;
- 2) Non utilizzare benzina o altre sostanze chimiche per pulire l'unità;
- 3) Non lavare direttamente l'unità;
- 4) Se il condizionatore è danneggiato, contattare il rivenditore o l'officina di riparazione.

1. Filtro dell'aria

- Se il filtro dell'aria si intasa di polvere/ sporco, pulirlo ogni due settimane. -

Smontaggio

Aprire la griglia di ingresso dell'aria e togliere il filtro.

- Pulizia

Pulire il filtro dell'aria con un detergente neutro tiepido (40 °C) e lasciare asciugare all'ombra.

- Montaggio

Mettere il filtro dell'aria sulla griglia di ingresso, riposizionare i componenti nella posizione originale.

2. Pulire la superficie del condizionatore d'aria. Prima pulire la superficie con un detergente neutro e un panno bagnato, quindi pulirla con un panno asciutto.

E. Prima dell'uso

Verificare che il tubo di sfiato sia stato montato correttamente.

Avvertenze per le modalità raffreddamento e deumidificazione:

- Quando si utilizzano funzioni di raffreddamento e deumidificazione, mantenere un intervallo di almeno 3 minuti tra un'accensione e l'altra.
- L'alimentazione soddisfa i requisiti.
- La presa è per uso in CA.
- Non condividere la presa con altri elettrodomestici.
- L'alimentazione è CA 220-240 V, 50 Hz

1. Accendere l'unità

a) Collegare la spina, l'unità emette un suono acustico, la spia di alimentazione si accende.

b) Premere il pulsante "⏻", quindi accendere l'unità.

c) Il LED visualizza la temperatura ambiente e l'unità parte in modalità automatica.

2. Modalità raffreddamento

- Premere il pulsante "Modalità" finché non viene visualizzata l'icona "Freddo".

- Premere il pulsante "+" o "-" per selezionare la temperatura ambiente desiderata.

(15 °C -31 °C)

- Premere il pulsante "Velocità ventola" per selezionare la velocità della ventola.

3. Modalità deumidificazione Premere il pulsante "Modalità" finché non viene visualizzata l'icona "Deumidificazione".

- Impostare automaticamente la temperatura selezionata sulla temperatura ambiente corrente meno 2 °C .

- Impostare automaticamente il motore

FUNZIONE DELLE MODALITÀ DI FUNZIONAMENTO E DESCRIZIONI RELATIVE ALL'INSTALLAZIONE

della ventola su BASSA velocità.

4. Funzionamento della ventola

- Premere il pulsante "Modalità" finché non viene visualizzata l'icona "Ventola".
- Premere il pulsante "Velocità ventola" per selezionare la velocità della ventola.

5. Modalità riscaldamento (questa funzione non è disponibile per unità solo freddo) - Premere il pulsante "Modalità" fino a quando non viene visualizzata l'icona "Riscaldamento".

- Premere il pulsante "+" o "-" per selezionare la temperatura ambiente desiderata.

(15 °C - 31 °C)

- Premere il pulsante "Velocità ventola" per selezionare la velocità della ventola.

6. ☺ Funzionamento del timer

- a) Premere il pulsante "Timer" per impostare l'ora di spegnimento automatico mentre l'unità è in funzione.
- b) Premere il pulsante "Timer" per impostare l'ora di spegnimento automatico quando l'unità è pronta.
- c) L'ora può essere regolabile in un intervallo da 1 a 24 ore. Premere il

pulsante temp su "+" o temp giù "-" per aumentare o diminuire di 1 ora ad ogni pressione.

7. ☺ Funzionamento

- a) L'unità è in funzione quando l'unità è in ☺ modalità.
- b) Premere il pulsante ☺ in modalità ✖, l'unità funzionerà in modalità sospensione e la velocità della ventola centrifuga superiore si abbasserà automaticamente. La temperatura impostata aumenterà di 1 °C dopo un'ora e aumenterà di 2 °C dopo due ore. Dopo sei ore, l'unità smetterà di funzionare.

8. ⤴ Funzionamento

- a) quando il pulsante oscillazione è attivato, la lamella oscilla automaticamente in su e in giù. Per arrestarla, premere di nuovo il pulsante.

Manutenzione

Pulire l'unità con un panno morbido e umido. Non utilizzare solventi o detergenti aggressivi in quanto ciò potrebbe danneggiare la superficie dell'unità.

Assistenza

Se il condizionatore d'aria richiede interventi di assistenza, contattare il rivenditore locale. Per tutte le richieste di garanzia è necessario presentare la prova d'acquisto.

Istruzioni sullo stoccaggio

Stoccaggio a fine stagione

- 1) Svitare il coperchio dello scarico ed estrarre il tappo per drenare completamente l'acqua di condensa.
- 2) Mantenere l'unità in funzione in modalità ventilazione per mezza giornata al fine di asciugare completamente l'interno dell'unità ed evitare che ammuffisca.
- 3) Spegner l'unità, estrarre la spina, quindi avvolgere il cavo di alimentazione attorno al pilastro di avvolgimento, inserire la spina nel foro di fissaggio universale sul pannello posteriore dell'unità, installare il tappo dell'acqua e il coperchio dello scarico.
- 4) Rimuovere il gruppo tubo di sfato calore, pulirlo e conservarlo correttamente.
Note:
Tenere il gruppo tubo di sfato con entrambe le mani durante la rimozione. Spingere gli elementi di fissaggio da parte sulla presa d'aria di sfato utilizzando i pollici, quindi estrarre il gruppo tubo di sfato.
- 5) Imballare correttamente il condizionatore d'aria con un sacchetto di plastica morbido e metterlo in posizione

asciutta adottando adeguate misure antipolvere e tenere l'unità fuori dalla portata dei bambini.

- 6) Estrarre le batterie dal telecomando e conservarle correttamente.

Nota:

Assicurarsi che l'unità sia stoccata in un luogo asciutto.

Tutti gli accessori dell'unità devono essere protetti correttamente e tenuti insieme. Il supporto del cavo di alimentazione e la presa universale possono proteggere bene il cavo di alimentazione.

Posizione elevata della presa d'aria di sfato, facilità e rapidità di montaggio e sfato.

Intelligente, rispettoso dell'ambiente e a risparmio energetico con sistema di raffreddamento ad evaporazione automatica.

Funzione timer 24 ore su 24, motivo musicale di accensione e spegnimento. 3 minuti di ritardo per il ripristino della protezione sul compressore e altre funzioni di protezione multipla.

Funzione Wi-Fi

1. Download e installazione dell'APP

Scaricare l'app Woods Connect da App

Store o Google Play

1. Registrazione/Login/Password dimenticata

Registrazione

Se non si dispone di un account per l'App, registrarne uno o accedere con il codice di verifica ricevuto via SMS. Questa pagina descrive il processo di registrazione

1. Toccare per entrare nella pagina di registrazione

2. Il sistema riconosce automaticamente il Paese/l'area. È possibile selezionare il codice del Paese anche manualmente. Inserire il numero di cellulare/e-mail e toccare "Avanti"

3. Se si inserisce il numero di cellulare, immettere il codice di verifica ricevuto via messaggio e la password. Toccare "Conferma" per terminare la registrazione

4. Se si inserisce l'e-mail, immettere la password e toccare "Conferma" per terminare la registrazione.

2. Accesso con nome utente e password o con il codice di verifica ricevuto via SMS

Accesso con nome utente e password

1. Il sistema riconosce automaticamente il Paese/l'area. È possibile selezionare il codice del Paese anche manualmente. Inserire il numero di cellulare/e-mail e toccare "Avanti"

2. Inserire il numero di cellulare registrato o l'e-mail e la password per accedere

Password dimenticata

In caso di password dimenticata, seguire queste procedure:

1. Toccare "Password dimenticata"

2. Il sistema riconosce automaticamente il Paese/l'area. È possibile selezionare il codice del Paese anche manualmente. Inserire il numero di cellulare/e-mail e toccare "Avanti"

3. Immettere il codice di verifica ricevuto via messaggio/e-mail e la nuova password. Toccare "Conferma" per terminare.

Wi-Fi Woods Connect supporta le seguenti funzioni:

Accensione/spengimento
 Modalità raffreddamento
 Modalità deumidificazione
 Modalità ventilazione
 Modalità eco
 Impostazioni della temperatura
 Velocità: bassa e alta
 Timer: 1-24 ore
 Sospensione: on/off
 Pulizia automatica: on/off
 Celsius/Fahrenheit
 Oscillazione: on/off

3. Per utilizzare il Wi-Fi, seguire le procedure nell'APP

Smart Home

Assistenza di terzi: toccare l'icona relativa all'assistenza da parte di terzi per vedere come connettersi al servizio. Le icone sono le seguenti

Smart Home Woods Connect supporta le funzioni elencate di seguito mediante comando vocale:

Accensione/spengimento
 Impostazione della temperatura
 Impostazione della modalità
 Impostazione della velocità della ventola

Per ulteriori informazioni, visitare: <https://woods.se/en>

PROBLEMA	CAUSA	SOLUZIONE
L'unità non si avvia quando si preme il pulsante di accensione/spegnimento	Unità non collegata/Spina o presa danneggiata.	Collegare o sostituire l'alimentazione o la presa.
	Fusibile rotto	Sostituire il fusibile (3.15 A/250 CA)
	La temperatura ambiente è inferiore alla temperatura di impostazione. (Modalità raffreddamento)	Resettare la temperatura
Raffreddamento insufficiente	Le porte o le finestre non sono chiuse.	Assicurarsi che tutte le finestre e le porte siano chiuse.
	Presenza di fonti di calore all'interno della stanza.	Rimuovere le fonti di calore, se possibile
	Tubo dell'aria di sfato non collegato o ostruito.	Collegare o pulire il tubo dell'aria di sfato.
	L'impostazione della temperatura è troppo alta.	Resettare la temperatura
	Presa d'aria bloccata.	Pulire la presa d'aria.
Rumorosità	La messa a terra non è in bolla o non è abbastanza in piano	Posizionare l'unità su una superficie in piano o in bolla
	Rumore proveniente dal flusso del refrigerante all'interno del condizionatore d'aria	Questo è normale.

In caso di problemi con il condizionatore d'aria portatile, fare riferimento alla seguente sezione "Risoluzione dei problemi". Se nulla di quanto segue funziona, contattare il rivenditore per la manutenzione del condizionatore d'aria.

CODICI DI ERRORE	CAUSA	SOLUZIONE
Codice E2	Sensore di temperatura ambiente guasto o danneggiato.	Sostituire il sensore di temperatura ambiente
Codice E3	Sensore di temperatura dell'evaporatore guasto.	Sostituire il sensore di temperatura dell'evaporatore
Codice E4	Serbatoio dell'acqua pieno	Svuotare il serbatoio dell'acqua.

Garanzie

Sul prodotto si applica una garanzia di 2 anni per difetti di produzione. La garanzia è valida solo previa esibizione della ricevuta. La garanzia è valida solo se il prodotto viene utilizzato seguendo le istruzioni e le avvertenze di sicurezza riportate in questo manuale. La garanzia non copre i danni causati da un uso improprio del prodotto.

NOTA: la garanzia di 2 anni si applica solo ai consumatori e non all'uso commerciale dell'unità.



NOTA!

Registrarsi su www.warranty-woods.com e leggere come ottenere una garanzia estesa. Visitare www.woods.se per ulteriori informazioni.

Limiti raccomandati per l'utilizzo La migliore temperatura ambiente di esercizio per il raffreddamento è di 17-35 °C e la temperatura ambiente ottimale per il riscaldamento è di 8-25 °C. L'unità funziona fino a +43 °C. Parametro fusibile: ϕ 5.0x20 mm 3,15 A, 250 Vca.

DATI TECNICI	AC Milan 7K WIFI	AC Milan 9K WIFI	AC Como 12K WIFI
Capacità frigorifera	2000 W	2600 W	3500 W
Consumo di energia	750 W	950 W	1250 W
Portata d'aria:	350 m ³ /h	350 m ³ /h	380 m ³ /h
Classe energetica	A	A	A
Deumidificazione	19 L / 24 h	24 L / 24h	28,8 L / 24 h
Impostazione della temperatura	15-31 °C	15-31 °C	15-31 °C
Temperatura di esercizio	16-43 °C	16-43 °C	16-43 °C
EER	2,6	2,6	2,6
Lunghezza del tubo di scarico	1,0 m	1,0 m	1,0 m
Diametro del tubo di scarico	10 mm	10 mm	10 mm
Gas refrigerante	R290/100 g	R290/160g	R290/220g
Rumorosità in decibel	61dB	61dB	52 dB
Peso	22 kg	24 kg	25 KG
Dimensioni in mm, L x B x H	355x350x700	355x350x700	355x350x700

*Modifiche e miglioramenti tecnici possono essere introdotti in qualsiasi momento. Tutti i valori sono approssimativi e possono variare a causa di circostanze esterne, come temperatura, ventilazione e umidità.



*Questo marchio indica che il prodotto non deve essere smaltito con altri rifiuti domestici in tutta l'UE. Per evitare eventuali danni all'ambiente o alla salute causati da uno smaltimento non corretto dei rifiuti, riciclarli in modo responsabile per favorire il riutilizzo sostenibile delle risorse materiali. Per restituire il dispositivo, utilizzare i sistemi di restituzione e raccolta o contattare il rivenditore presso il quale è stato acquistato affinché possa riciclare il prodotto in modo sicuro per l'ambiente.

ΠΡΟΪΟΝΤΑ WOOD'S ΓΙΑ ΚΑΘΑΡΟ ΚΑΙ ΥΓΙΕΙΝΟ ΑΕΡΑ ΕΣΩΤΕΡΙΚΩΝ ΧΩΡΩΝ

Η μάρκα Wood's γεννήθηκε με την οικογένεια Wood's πάνω από 70 χρόνια πριν στην Καναδική πόλη Guelph του Οντάριο. Στην πόλη αυτή, οι Wood's ξεκίνησαν την εξέλιξη και κατασκευή αφυγραντήρων το 1950. Έκτοτε η Wood's έχει βοηθήσει αρκετές εκατοντάδες χιλιάδες νοικοκυριά να αποτρέψουν προβλήματα λόγω μούχλας και υγρασίας και να αναπνεύσουν καθαρότερο αέρα. Τα φορητά μας κλιματιστικά είναι κατάλληλα για χρήση στα περισσότερα κλίματα, όπου η απόδοσή τους είναι καλή ακόμη και σε διαφορετικές θερμοκρασίες και επίπεδα υγρασίας. Χρησιμοποιούνται με καλά αποτελέσματα σε χώρους που αναπτύσσονται θερμοκρασίες όπως καθιστικά, γραφεία ή κρεβατοκάμαρες. Η ποσότητα του θερμού αέρα που αφαιρεί το κλιματιστικό εξαρτάται από τη θερμοκρασία, το επίπεδο της υγρασίας και την τοποθέτηση στο χώρο. Οι εξωτερικές καιρικές συνθήκες μπορεί επίσης να επηρεάσουν την απόδοση του κλιματιστικού.

Τα κλιματιστικά της Wood's προσφέρουν ασφαλή λειτουργία και προορίζονται για συνεχή χρήση πολυετούς διάρκειας.

ΠΩΣ ΛΕΙΤΟΥΡΓΕΙ Η ΜΟΝΑΔΑ ΚΛΙΜΑΤΙΣΜΟΥ;

Η χαμηλή πίεση παράγει κρύο αέρα. Το κύριο στοιχείο του κλιματιστικού είναι ένα ψυκτικό μέσο, το οποίο υπό χαμηλή πίεση μετατρέπεται σε αέριο. Η διαδικασία «δημιουργεί κρύο», το οποίο μεταδίδεται προς τον εσωτερικό χώρο, κρατώντας τον ζεστό αέρα εκτός.

Ένα υγρό ψυκτικό μέσο περνά μέσα από μια βαλβίδα διαστολής και οδηγείται σε ένα σωλήνα όπου η πίεση είναι χαμηλή. Το ψυκτικό μέσο εξατμίζεται και μετατρέπεται σε αέριο. Η διαδικασία απορροφά τη θερμότητα από το περιβάλλον και ο σωλήνας ψύχεται. Ένας ανεμιστήρας μεταφέρει τον κρύο αέρα στο χώρο. Το αέριο διέρχεται μέσω ενός συμπιεστή, που αυξάνει την πίεσή του και μετατρέπεται το αέριο σε υγρό. Σε αυτή τη διαδικασία, απελευθερώνεται θερμότητα, η οποία οδηγείται σε σωλήνες στην αντίθετη πλευρά και αποβάλλεται με τη βοήθεια ενός ανεμιστήρα. Ένας θερμοστάτης διακόπτει τη λειτουργία της μονάδας όταν ο αέρας του εσωτερικού χώρου είναι αρκετά κρύος.

1. ΠΡΟΕΙΔΟΠΟΙΗΣΕΙΣ ΑΣΦΑΛΕΙΑΣ



Εύφλεκτο υλικό. Αυτή η συσκευή περιέχει R290/ Προπάνιο, ένα εύφλεκτο ψυκτικό μέσο.



Ανατρέξτε σε αυτό το εγχειρίδιο για πληροφορίες για την ασφάλεια.



Διαβάστε το τεχνικό εγχειρίδιο



Διαβάστε το εγχειρίδιο χειριστή.

ΠΛΗΡΟΦΟΡΙΕΣ ΓΙΑ ΤΗΝ ΑΣΦΑΛΕΙΑ

Πριν από την εγκατάσταση και τη χρήση της συσκευής, διαβάστε προσεκτικά τις παρεχόμενες οδηγίες. Ο κατασκευαστής δεν ευθύνεται σε περίπτωση πρόκλησης τραυματισμού και ζημιών λόγω εσφαλμένης εγκατάστασης και χρήσης. Να φυλάσσετε πάντα τις οδηγίες μαζί με τη συσκευή για μελλοντική αναφορά.

Ασφάλεια για τα παιδιά και τα ευπαθή άτομα

ΠΡΟΕΙΔΟΠΟΙΗΣΗ



Κίνδυνος τραυματισμού ή μόνιμης αναπηρίας.

Αυτή η συσκευή μπορεί να χρησιμοποιηθεί από παιδιά ηλικίας 8 ετών και άνω και άτομα με μειωμένη σωματική, αισθητηριακή ή διανοητική ικανότητα ή με έλλειψη εμπειρίας και γνώσης, υπό την επίβλεψη τρίτων ή αν έχουν λάβει οδηγίες σχετικά με τη χρήση

της συσκευής με ασφαλή τρόπο και έχουν κατανοήσει τους κινδύνους που σχετίζονται με τη χρήση της. Μην αφήνετε τα παιδιά να παίζουν με τη συσκευή.

Τα παιδιά ηλικίας κάτω των 3 ετών θα πρέπει να παραμένουν σε απόσταση, εκτός εάν εποπτεύονται συνεχώς.

Κρατήστε όλες τις συσκευασίες μακριά από τα παιδιά.

Ο καθαρισμός και η συντήρηση δεν θα πρέπει να γίνεται από παιδιά χωρίς επίβλεψη.

Γενική ασφάλεια

Η συσκευή αυτή προορίζεται για χρήση σε οικιακές και παρόμοιες εφαρμογές, όπως: Καθιστικά δωμάτια, σαλόνια, χώρους κουζίνας προσωπικού σε καταστήματα, γραφεία και άλλα περιβάλλοντα εργασίας. Η πινακίδα των τεχνικών χαρακτηριστικών βρίσκεται στο πίσω μέρος του κλιματιστικού. Διατηρήστε καθαρά τα ανοίγματα εξαερισμού και χωρίς παρεμπόδιση.

Μην χρησιμοποιείτε μηχανικές συσκευές ή άλλα μέσα για να επιταχύνετε τη διαδικασία απόψυξης, εκτός από αυτά που συνιστώνται από τον κατασκευαστή.

Η συσκευή δεν πρέπει να φυλάσσεται σε χώρους με πηγές ανάφλεξης σε λειτουργία (για παράδειγμα: ακάλυπτες φλόγες, συσκευές φυσικού αερίου σε λειτουργία ή ηλεκτρικές θερμάστρες σε λειτουργία. Μην την τρυπήσετε ή μην την κάψετε. Να γνωρίζετε ότι τα ψυκτικά μέσα μπορεί να μην γίνουν αντιληπτά μέσω της οσμής. Μην χρησιμοποιείτε ψεκαστές νερού και ατμού για τον καθαρισμό της συσκευής. Καθαρίστε τη

συσκευή με ένα υγρό μαλακό πανί. Χρησιμοποιείτε μόνο ουδέτερα απορρυπαντικά. Μην χρησιμοποιείτε διαβρωτικά προϊόντα, καθαριστικά σφουγγαράκια λείανσης, διαλύτες ή μεταλλικά αντικείμενα. Αν το καλώδιο τροφοδοσίας έχει φθαρεί, πρέπει να αντικατασταθεί από τον κατασκευαστή, το εξουσιοδοτημένο κέντρο σέρβις του ή άτομα κατάλληλα εξειδικευμένα, προκειμένου να αποφευχθεί οποιοσδήποτε κίνδυνος.

ΟΔΗΓΙΕΣ ΑΣΦΑΛΕΙΑΣ

Εγκατάσταση ΠΡΟΕΙΔΟΠΟΙΗΣΗ

Η εγκατάσταση αυτής της συσκευής επιτρέπεται μόνο από ειδικευμένο άτομο. Αφαιρέστε όλες τις συσκευασίες. Μην εγκαθιστάτε ή μην χρησιμοποιείτε μια κατεστραμμένη συσκευή. Η συσκευή πρέπει να εγκαθίσταται, να λειτουργεί και να φυλάσσεται σε χώρους με επιφάνεια δαπέδου μεγαλύτερη από 4,2m² (7k), 7,7m² (9k), 9,6m² (12k). Τηρήστε τις οδηγίες εγκατάστασης που παρέχονται με τη συσκευή. Να είστε πάντα προσεκτικοί όταν μετακινείτε τη συσκευή επειδή είναι βαριά. Πάντα να φοράτε γάντια ασφαλείας. Να γνωρίζετε ότι τα ψυκτικά μέσα μπορεί να μην γίνουν αντιληπτά μέσω της οσμής.

Βεβαιωθείτε ότι ο αέρας μπορεί να κυκλοφορεί γύρω από τη συσκευή. Περιμένετε τουλάχιστον 4 ώρες πριν συνδέσετε τη συσκευή στην τροφοδοσία ρεύματος. Αυτό πρέπει να τηρηθεί ώστε να επιστρέψει το λάδι στον συμπιεστή. Μην εγκαθιστάτε τη συσκευή κοντά σε θερμομαντικά

σώματα ή άλλες πηγές θερμότητας. Μην εγκαθιστάτε τη συσκευή σε μέρος άμεσα εκτεθειμένο στο ηλιακό φως.

Ηλεκτρολογικά

ΠΡΟΕΙΔΟΠΟΙΗΣΗ

Κίνδυνος πυρκαγιάς και ηλεκτροπληξία. Η συσκευή πρέπει να συνδέεται σε γειωμένη πρίζα. Βεβαιωθείτε ότι οι ηλεκτρολογικές πληροφορίες στην πινακίδα των τεχνικών χαρακτηριστικών συμφωνούν με την τροφοδοσία ρεύματος. Αν όχι, επικοινωνήστε με ηλεκτρολόγο. Να χρησιμοποιείτε πάντα μια σωστά εγκατεστημένη αντικραδασική πρίζα. Μην χρησιμοποιείτε πολύμπριζα και καλώδια επέκτασης ή μπαλαντζές. Φροντίστε να μην προκαλέσετε βλάβη στα ηλεκτρικά εξαρτήματα (π.χ. βύσμα τροφοδοσίας, καλώδιο τροφοδοσίας). Επικοινωνήστε με το εξουσιοδοτημένο κέντρο σέρβις ή έναν ηλεκτρολόγο για να αλλάξετε τα ηλεκτρικά εξαρτήματα. Το καλώδιο τροφοδοσίας πρέπει να παραμείνει κάτω από το επίπεδο του βύσματος τροφοδοσίας. Συνδέστε το βύσμα τροφοδοσίας στην πρίζα τροφοδοσίας μόνο στο τέλος της εγκατάστασης. Βεβαιωθείτε ότι υπάρχει πρόσβαση στο βύσμα τροφοδοσίας μετά την εγκατάσταση. Μην τραβάτε το καλώδιο τροφοδοσίας για να αποσυνδέσετε τη συσκευή. Να αποσυνδέετε τραβώντας πάντα από το βύσμα τροφοδοσίας.

Χρήση

ΠΡΟΕΙΔΟΠΟΙΗΣΗ

Κίνδυνος τραυματισμού, εγκαυμάτων, ηλεκτροπληξίας ή πυρκαγιάς. Μην αλλάζετε την προδιαγραφή αυτής της συσκευής.

Προσέξτε να μην προκαλέσετε βλάβη στο κύκλωμα του ψυκτικού μέσου. Περιέχει προπάνιο (R290), ένα φυσικό αέριο με υψηλό επίπεδο περιβαλλοντικής συμβατότητας. Το αέριο αυτό είναι εύφλεκτο.

Εάν προκληθεί ζημιά στο κύκλωμα του ψυκτικού μέσου, βεβαιωθείτε ότι δεν υπάρχουν φλόγες και άλλες πηγές ανάφλεξης στο χώρο. Αερίστε το χώρο. Μην τοποθετείτε εύφλεκτα προϊόντα ή αντικείμενα που έχουν βραχεί μαζί με εύφλεκτα προϊόντα, κοντά ή πάνω στη συσκευή.

Απόρριψη

ΠΡΟΕΙΔΟΠΟΙΗΣΗ

Κίνδυνος τραυματισμού. Αποσυνδέστε τη συσκευή από την τροφοδοσία ρεύματος. Κόψτε το καλώδιο ρεύματος και απορρίψτε το. Το κύκλωμα του ψυκτικού μέσου αυτής της συσκευής είναι φιλικό προς το όζον. Επικοινωνήστε με τη δημοτική αρχή για πληροφορίες σχετικά με τη σωστή απόρριψη της συσκευής. Μην προκαλείτε βλάβη στο τμήμα της ψυκτικής μονάδας που βρίσκεται κοντά στον εναλλάκτη θερμότητας.

ΡΥΘΜΙΣΗ ΤΟΥ ΚΛΙΜΑΤΙΣΤΙΚΟΥ ΓΙΑ ΕΓΚΑΤΑΣΤΑΣΗ

2. Εγκατάσταση

ΠΡΙΝ ΑΠΟ ΤΗΝ ΠΡΩΤΗ ΧΡΗΣΗ

Αφήστε το μηχάνημα σε όρθια θέση για 2 ώρες πριν από τη χρήση. Επιλογή θέσης

Σημαντικό

1. Αυτό το κλιματιστικό μπορεί να μετακινηθεί άνετα σε έναν εσωτερικό χώρο, κρατήστε τη μονάδα σε όρθια θέση καθώς την μετακινείτε. Το κλιματιστικό πρέπει να τοποθετείται σε επίπεδη επιφάνεια.

Μην εγκαταστήσετε ή μην λειτουργείτε αυτό το κλιματιστικό μέσα σε μπάνιο ή άλλο υγρό περιβάλλον.

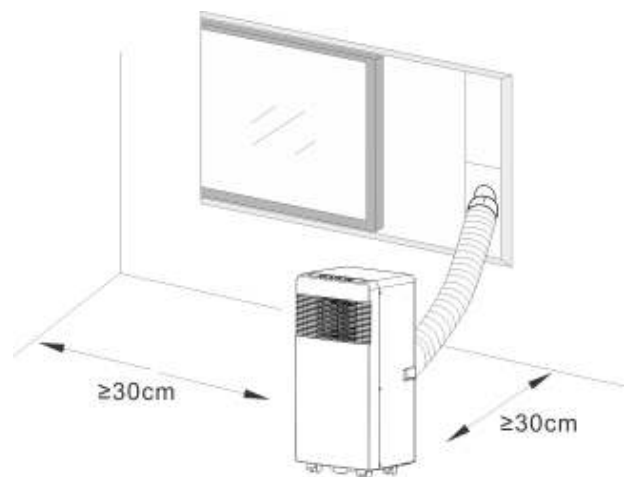
Δεδομένου ότι ένα φορητό κλιματιστικό στηρίζεται σε τροχούς, είναι εύκολο να του αλλάξετε θέσεις. Όταν επικρατεί ζέστη, απλώς μετακινήστε το φορητό κλιματιστικό σας στο δωμάτιο που επιθυμείτε, και μπορεί γρήγορα να αρχίσει να δροσίζει το χώρο.

Το κλιματιστικό πρέπει να λειτουργεί σε κλειστό χώρο για να είναι πιο αποτελεσματικό. Κλείστε όλες τις πόρτες, τα παράθυρα και άλλα ανοίγματα στο δωμάτιο. Η αποτελεσματικότητα του κλιματιστικού εξαρτάται από τη θερμοκρασία και το επίπεδο υγρασίας.

2. Τοποθετήστε το κλιματιστικό σε θέση που δεν περιορίζει τη ροή αέρα διαμέσου του μπροστινού τμήματος της μονάδας.

3. Ένα κλιματιστικό που λειτουργεί σε ένα δωμάτιο θα έχει μικρή ή καμία επίδραση στην ξήρανση ενός παρακείμενου κλειστού χώρου αποθήκευσης, όπως μια ντουλάπα, εκτός αν υπάρχει επαρκής κυκλοφορία του αέρα μέσα και έξω από την περιοχή. Ένα φορητό κλιματιστικό εκκενώνει τη θερμότητα από τη μονάδα με τη βοήθεια ενός εύκαμπτου σωλήνα εξαερισμού διαμέσου ενός παραθύρου ή μιας βαλβίδας εξαγωγής αέρα.

4. Θα πρέπει να υπάρχει απόσταση τουλάχιστον 30 cm μεταξύ κλιματιστικού και πλησιέστερου αντικειμένου. Δείτε την εικόνα για αναφορά.



ΠΕΡΙΓΡΑΦΗ ΠΡΟΪΟΝΤΟΣ

3. Περιγραφή προϊόντος

- A**
1. Αγωγός εξαγωγής αέρα
 2. Σύνδεσμος του αγωγού εξαγωγής αέρα
 3. Προσαρμογέας εξαγωγής παραθύρου
 4. Τηλεχειριστήριο
 5. Πλάκα διαφράγματος
 6. Πώμα νερού
- B**
1. Μπροστινή εικόνα προϊόντος
- C**
1. Πίνακας ελέγχου
 2. Έξοδος ψυχρού αέρα
 3. Υποδοχέας σήματος
 4. Τηλεχειριστήριο
 5. Λαβή μεταφοράς
 6. Σωλήνας εξόδου αέρα
 7. Εισαγωγή αέρα εξατμιστήρα
 8. Κύρια θύρα αποστράγγισης
- D**
1. Εικόνα επάνω μέρους του προϊόντος
- E**
1. Χρονοδιακόπτης / Κουμπί αύξησης θερμοκρασίας
 2. Χρονοδιακόπτης / Κουμπί μείωσης θερμοκρασίας
 3. Αυτόματη ψύξη Λειτουργία αφυγραντήρα και ανεμιστήρα
 4. WIFI
 5. Botón de modo de reposo y bloqueo infantil
 6. Ταλάντευση
 7. Κουμπί χρονοδιακόπτη
 8. Κουμπί τρόπου λειτουργίας
 9. Κουμπί ταχύτητας
 10. Κουμπί ενεργοποίησης
 11. Χαμηλή, υψηλή ταχύτητα ανεμιστήρα
 12. Ένδειξη ενεργοποίησης / Κλείδωμα ασφάλειας παιδιού
- F**
1. Σχηματικό διάγραμμα καθαρισμού του προστατευτικού του φίλτρου
- G**
1. ΚΟΥΜΠΙ
Ισχύς ενεργοποίησης/απενεργοποίησης
 2. ΚΟΥΜΠΙ
Πατήστε αυτό το κουμπί για να επιλέξετε τον τρόπο λειτουργίας.
 3. ΚΟΥΜΠΙ
Utilizzato per selezionare la velocità della ventola in sequenza.
 4. και ΚΟΥΜΠΙΑ ΡΥΘΜΙΣΗΣ
Χρησιμοποιείται για την επιλογή της ταχύτητας ανεμιστήρα διαδοχικά.
 5. ΚΟΥΜΠΙ
Χρησιμοποιείται για τη ρύθμιση ή την ακύρωση του τρόπου λειτουργίας.
 6. ΚΟΥΜΠΙ
Χρησιμοποιείται για τη ρύθμιση της αυτόματης απενεργοποίησης και ενεργοποίησης του χρόνου.
 7. ΚΟΥΜΠΙ
Χρησιμοποιείται για τη ρύθμιση της αυτόματης ταλάντευσης.
- H**
1. Συστρέψτε και τις δύο άκρες του σωλήνα εξαγωγής στον σύνδεσμο του σωλήνα.
- I**
1. Παρουσίαση της εγκατάστασης του σωλήνα εξαγωγής
- J**
1. Παρουσίαση της εγκατάστασης του σωλήνα εξαγωγής
- K**
1. Παρουσίαση του κιτ ολισθητήρα παραθύρου
- L**
1. Συνδέστε τον σωλήνα αποστράγγισης

ΧΕΙΡΙΣΜΟΣ ΤΩΝ ΤΡΟΠΩΝ ΛΕΙΤΟΥΡΓΙΑΣ ΚΑΙ ΠΕΡΙΓΡΑΦΗ ΕΓΚΑΤΑΣΤΑΣΗΣ

A. Εξαρτήματα

Αφού ανοίξετε το πακέτο, παρακαλούμε να ελέγξετε αν τα εξαρτήματα που αναφέρονται παραπάνω περιλαμβάνονται στη συσκευασία και να ελέγξετε τις χρήσεις τους στην παρουσίαση εγκατάστασης του παρόντος εγχειριδίου.

B. Φορητό κλιματιστικό

J. Εμφάνιση και λειτουργία του τηλεχειριστηρίου.

Σημειώσεις:- Μην ρίχνετε κάτω το τηλεχειριστήριο. Μην τοποθετείτε το τηλεχειριστήριο σε μέρος που είναι άμεσα εκτεθειμένο στο ηλιακό φως.

M. Παρουσίαση λειτουργίας

Πριν από την έναρξη των λειτουργιών αυτής της ενότητας:

- 1) Βρείτε ένα μέρος κοντά σε ρευματοδότη.
- 2) Εγκαταστήστε το σωλήνα εξαγωγής και προσαρμόστε καλά τη θέση στο παράθυρο.
- 3) Συνδέστε σωστά το σωλήνα αποστράγγισης (μόνο για τη χρήση στο μοντέλο θέρμανσης).
- 4) Τοποθετήστε το καλώδιο τροφοδοσίας σε έναν γειωμένο ρευματολήπτη AC220 ~ 240V/50Hz.
- 5) Πιέστε το κουμπί POWER (Ενεργοποίηση) για να ενεργοποιήσετε το κλιματιστικό.

K και L. Παρουσίαση της εγκατάστασης του σωλήνα εξαγωγής

A) Προσωρινή εγκατάσταση

1. Συστρέψτε και τις δύο άκρες του σωλήνα εξαγωγής στον σύνδεσμο του σωλήνα.
2. Εισάγετε τον τετράγωνο συνδετήρα στερέωσης στην έξοδο αέρα, στο πίσω μέρος του κλιματιστικού
3. Τοποθετήστε το άλλο άκρο του σωλήνα εξαγωγής στο κοντινό περβάζι.

N. Παρουσίαση του κιτ ολισθητήρα παραθύρου

Ο τρόπος εγκατάστασης του κιτ ολισθητήρα παραθύρου είναι συνήθως «οριζόντιος» και «κάθετος». Όπως φαίνεται

στις Εικ. 5 και Εικ. 5α, ελέγξτε το ελάχιστο και το μέγιστο μέγεθος του παραθύρου πριν από την εγκατάσταση.

1. Εγκαταστήστε το κιτ στο παράθυρο.
2. Προσαρμόστε το μήκος του κιτ ολισθητήρα παραθύρου σύμφωνα με το πλάτος ή το ύψος του παραθύρου και στερεώστε το με τον πείρο.
3. Τοποθετήστε τον σωλήνα του συνδέσμου παραθύρου στην οπή του κιτ παραθύρου.

O. Λειτουργία ειδοποίησης για πλήρη εσωτερική δεξαμενή νερού
Η εσωτερική δεξαμενή νερού στο κλιματιστικό διαθέτει έναν διακόπτη ασφάλειας στάθμης νερού που ελέγχει τη στάθμη του νερού. Όταν το επίπεδο του νερού φθάνει σε ένα αναμενόμενο ύψος, η λυχνία ένδειξης πλήρωσης νερού ανάβει. Ο κωδικός σφάλματος «E4» θα εμφανιστεί στην οθόνη. (Αν η αντλία νερού είναι χαλασμένη, όταν το νερό είναι πλήρες, αφαιρέστε το λαστιχένιο παρέμβυσμα στο κάτω μέρος της μονάδας και όλο το νερό θα αποστραγγιστεί εξωτερικά.)

Είναι πολύ σημαντικό το φίλτρο να καθαρίζεται τακτικά, διαφορετικά το κλιματιστικό ενδέχεται να χάσει την ικανότητά του και να υποστεί σοβαρή βλάβη.

H. Επεξηγήσεις συντήρησης Δήλωση:

- 1) Πριν από τον καθαρισμό βεβαιωθείτε ότι έχετε αποσυνδέσει τη μονάδα από την πρίζα.
- 2) Μην χρησιμοποιείτε βενζίνη ή άλλα χημικά για να καθαρίσετε τη μονάδα.
- 3) Μην πλένετε τη μονάδα απευθείας.
- 4) Αν το κλιματιστικό είναι χαλασμένο, επικοινωνήστε με τον αντιπρόσωπο ή το κατάστημα επισκευής.

1. Φίλτρο αέρα

-Αν το φίλτρο αέρα βουλώνει με σκόνη/βρωμιά, τότε πρέπει να καθαρίζεται μία φορά κάθε δύο εβδομάδες.
-Αποσυναρμολόγηση

Ανοίξτε τη γρίλια εισόδου αέρα και βγάλτε το φίλτρο αέρα.

-Καθαρισμός
Καθαρίστε το φίλτρο αέρα με ουδέτερο απορρυπαντικό σε χλιαρό νερό (40°C) και αφήστε το να στεγνώσει σε σκιερό μέρος.
-Τοποθέτηση
Για να βάλετε το φίλτρο αέρα στη γρίλια εισαγωγής, επανατοποθετήστε τα εξαρτήματα όπως ήταν.

2. Καθαρίστε πρώτα την επιφάνεια του κλιματιστικού με ουδέτερο απορρυπαντικό και βρεγμένο πανί και κατόπιν σκουπίστε το με ένα στεγνό πανί.

E. Πριν από τη χρήση
Ελέγξτε αν ο σωλήνας εξαγωγής έχει στερεωθεί σωστά.
-Προσοχή για τις λειτουργίες ψύξης και αφύγρανσης -Όταν χρησιμοποιείτε την ψύξη και την αφύγρανση, αφήστε ένα ενδιάμεσο διάστημα τουλάχιστον 3 λεπτών ανάμεσα σε κάθε πάτημα του POWER.
-Το τροφοδοτικό πληροί τις απαιτήσεις.
-Η υποδοχή είναι για χρήση AC.
-Μην μοιράζετε μία πρίζα με άλλες συσκευές.
-Η τροφοδοσία ηλεκτρικού ρεύματος είναι AC220-240V, 50Hz

1. Ενεργοποιήστε τη μονάδα
a) Συνδέστε και, στη συνέχεια, η μονάδα ηχεί μία φορά, Η ενδεικτική λυχνία τροφοδοσίας ανάβει..
b) Πατήστε το κουμπί "⏻" και, στη συνέχεια, η μονάδα ενεργοποιείται.
c) Η λυχνία LED εμφανίζει τη θερμοκρασία δωματίου και κάτω, την Αυτόματη λειτουργία.

2. Λειτουργία ψύξης
-Πατήστε το κουμπί «Mode» (Λειτουργία) μέχρι να εμφανιστεί το εικονίδιο «Cool» (Ψύξη).

-Πατήστε το κουμπί "+" ή "-" για να επιλέξετε μια επιθυμητή θερμοκρασία δωματίου.
(15°C -31°C)
-Πατήστε το κουμπί «Fan Speed» (Ταχύτητα ανεμιστήρα) για να επιλέξετε

ΧΕΙΡΙΣΜΟΣ ΤΩΝ ΤΡΟΠΩΝ ΛΕΙΤΟΥΡΓΙΑΣ ΚΑΙ ΠΕΡΙΓΡΑΦΗ ΕΓΚΑΤΑΣΤΑΣΗΣ

την ταχύτητα του αέρα..

3. Λειτουργία αφύγρανσης Πατήστε το κουμπί «Mode» (Λειτουργία) μέχρι να εμφανιστεί το εικονίδιο «Dehumidify» (Αφύγρανση). -Αυτόματη ρύθμιση της επιλεγμένης θερμοκρασίας στην τρέχουσα θερμοκρασία δωματίου μείον 2°C.

-Ρυθμίστε αυτόματα το μοτέρ του ανεμιστήρα στην ΧΑΜΗΛΗ ταχύτητα αέρα.

4. Λειτουργία ανεμιστήρα

-Πατήστε το κουμπί «Mode» (Λειτουργία) μέχρι να εμφανιστεί το εικονίδιο «Fan» (Ανεμιστήρας).

-Πατήστε το κουμπί «Fan Speed» (Ταχύτητα ανεμιστήρα) για να επιλέξετε την ταχύτητα του αέρα..

5. Λειτουργία θέρμανσης (αυτή η λειτουργία δεν είναι διαθέσιμη για μονάδες μόνο ψύξης) -Πατήστε το κουμπί «Mode» (Λειτουργία) μέχρι να εμφανιστεί το εικονίδιο «Heat» (Θέρμανση).

-Πατήστε το κουμπί «+» ή «-» για να επιλέξετε μια επιθυμητή θερμοκρασία δωματίου.
(15°C -31°C)

-Πατήστε το κουμπί «Fan Speed» (Ταχύτητα ανεμιστήρα) για να επιλέξετε την ταχύτητα του αέρα..

6. ☺ Λειτουργία χρονοδιακόπτη

a) Πατήστε το κουμπί «Timer» (Χρονοδιακόπτης) για να ορίσετε την ώρα αυτόματης απενεργοποίησης ενώ η μονάδα είναι σε λειτουργία.

b) Πατήστε το κουμπί «Timer» (Χρονοδιακόπτης) για να ορίσετε την ώρα αυτόματης απενεργοποίησης ενώ η μονάδα είναι έτοιμη.

c) Ο χρόνος μπορεί να προσαρμόζεται σε ένα εύρος τιμών από 1 ώρα έως 24 ώρες. Πατήστε το κουμπί «temp up» (αύξηση χρόνου) «+» ή «temp down» (μείωση χρόνου) «-» για να αυξήσετε ή να μειώσετε το χρόνο κατά 1 ώρα, πατώντας μία φορά.

7. ☺ Λειτουργία

a) Η ☺ λειτουργία είναι ενεργή όταν η μονάδα βρίσκεται σε λειτουργία.

b) Πατήστε το κουμπί σε λειτουργία. Τότε η μονάδα θα λειτουργήσει σε κατάσταση αναστολής λειτουργίας και ο επάνω φυγοκεντρικός ανεμιστήρας θα περιστραφεί αυτόματα σε χαμηλή ταχύτητα. Η ρυθμισμένη θερμοκρασία θα αυξηθεί κατά 1°C μετά από μία ώρα και θα αυξηθεί κατά 2°C μετά από δύο ώρες. Μετά από έξι ώρες, η μονάδα θα σταματήσει να λειτουργεί.

8. ☺ Λειτουργία

a) όταν ενεργοποιείται το κουμπί ταλάντευσης, το περιστρεφόμενο πτερύγιο ταλαντεύεται αυτόματα πάνω-κάτω. Αν θέλετε να το σταματήσετε, πατήστε ξανά το κουμπί.

Συντήρηση

Καθαρίστε τη μονάδα με ένα μαλακό υγρό πανί. Μην χρησιμοποιείτε διαλύτες ή ισχυρά καθαριστικά, καθώς αυτά τα υλικά μπορούν να βλάψουν την επιφάνεια της μονάδας.

Σέρβις

Αν το κλιματιστικό απαιτεί σέρβις, πρέπει πρώτα να επικοινωνήσετε με το τοπικό σας κατάστημα λιανικής πώλησης. Για οποιαδήποτε αξίωση καταβολής εγγύησης απαιτείται η απόδειξη αγοράς.

Οδηγίες αποθήκευσης

Αποθήκευση λόγω τέλους εποχής

1) Ξεβιδώστε πλήρως το κάλυμμα της αποστράγγισης και τραβήξτε έξω το πώμα για να εκκενώσετε πλήρως το συμπυκνωμένο νερό.

2) Διατηρήστε τη μονάδα σε λειτουργία ανεμιστήρα για μισή ημέρα ώστε να στεγνώσει εντελώς το εσωτερικό της μονάδας και να αποτρέψετε τη δημιουργία μούχλας.

3) Απενεργοποιήστε τη μονάδα, τραβήξτε

το βύσμα και στη συνέχεια τυλίξτε το καλώδιο τροφοδοσίας γύρω από τον στυλίσκο περιτύλιξης του καλωδίου, τοποθετήστε το βύσμα στην οπή γενικής στερέωσης στο πίσω μέρος της μονάδας, τοποθετήστε το πώμα νερού και το κάλυμμα αποστράγγισης.

4) Αφαιρέστε το συγκρότημα του σωλήνα εξαγωγής της θερμότητας, καθαρίστε και φυλάξτε το με κατάλληλο τρόπο.

Σημειώσεις:

Κατά την αφαίρεση συγκρατήστε το συγκρότημα του εύκαμπτου σωλήνα εξαγωγής και με τα δύο χέρια. Ωθήστε τους συνδετήρες στην άκρη στην έξοδο του αέρα, χρησιμοποιώντας τους αντίχειρές σας και, στη συνέχεια, τραβήξτε προς τα έξω το συγκρότημα του σωλήνα εξαγωγής.

5) Συσκευάστε σωστά το κλιματιστικό με μια μαλακή πλαστική σακούλα και αποθηκεύστε το σε ξηρό μέρος λαμβάνοντας κατάλληλα μέτρα προστασίας από τη σκόνη διατηρώντας τη μονάδα μακριά από παιδιά.

6) Αφαιρέστε τις μπαταρίες από το τηλεχειριστήριο και φυλάξτε τις σε κατάλληλο μέρος.

Σημείωση:

Βεβαιωθείτε ότι η μονάδα αποθηκεύεται σε ξηρό μέρος.

Όλα τα εξαρτήματα της μονάδας πρέπει να προστατεύονται σωστά.

Η βάση καλωδίου τροφοδοσίας και η υποδοχή γενικής χρήσης μπορούν να προστατεύσουν σωστά το καλώδιο τροφοδοσίας.

Υψηλή θέση εξόδου του αέρα εξαγωγής, εύκολη συναρμολόγηση και γρήγορος εξαερισμός.

Έξυπνο, φιλικό προς το περιβάλλον και εξοικονόμηση ενέργειας με το αυτο-εξατμιζόμενο σύστημα ψύξης.

24ωρη λειτουργία χρονοδιακόπτη, μοναδική μουσική υπενθύμισης on/off. Προστασία επανεκκίνησης του συμπιεστή με καθυστέρηση 3 λεπτών και άλλες λειτουργίες πολλαπλής προστασίας.

Λειτουργία WiFi

1. Πραγματοποιήστε λήψη και εγκαταστήστε την εφαρμογή

Πραγματοποιήστε λήψη της εφαρμογής Woods Connect app από το App Store ή το Google Play

1. Εγγραφή / Είσοδος / Ξέχασα τον κωδικό πρόσβασης

Εγγραφή

Εάν δεν έχετε έναν λογαριασμό στην εφαρμογή, δημιουργήστε έναν λογαριασμό ή πραγματοποιήστε είσοδο με έναν κωδικό επαλήθευσης ο οποίος αποστέλλεται μέσω SMS.

Αυτή η σελίδα περιγράφει τη διαδικασία εγγραφής.

1. Πατήστε για να εισέλθετε στη σελίδα εγγραφής
2. Το σύστημα αναγνωρίζει αυτόματα τη χώρα / περιοχή σας. Μπορείτε επίσης να επιλέξετε τον κωδικό της χώρας σας. Πληκτρολογήστε τον αριθμό κινητού τηλεφώνου / τη διεύθυνση E-mail και πατήστε «Επόμενο».
3. Εάν εισαγάγετε τον αριθμό κινητού τηλεφώνου, πληκτρολογήστε τον κωδικό επαλήθευσης που εμφανίζεται στο μήνυμα που θα λάβετε πληκτρολογήστε τον κωδικό πρόσβασης και, πατήστε «Επιβεβαίωση» για να ολοκληρώσετε την εγγραφή σας.
4. Εάν εισαγάγετε τη διεύθυνση E-mail εισάγετε τον κωδικό πρόσβασης και πατήστε «Επιβεβαίωση» για να ολοκληρώσετε την εγγραφή σας.

2. Είσοδος με το όνομα χρήστη και τον κωδικό πρόσβασης ή τον κωδικό επαλήθευσης που λάβατε μέσω SMS

Συνδεθείτε με το όνομα χρήστη και τον κωδικό πρόσβασης

1. Το σύστημα αναγνωρίζει αυτόματα τη χώρα / περιοχή σας. Μπορείτε επίσης να επιλέξετε τον κωδικό της χώρας σας. Πληκτρολογήστε τον αριθμό κινητού τηλεφώνου / τη διεύθυνση E-mail και πατήστε «Επόμενο»
2. Εισαγάγετε τον καταχωρημένο αριθμό κινητού ή τη διεύθυνση Email και τον κωδικό πρόσβασης για να συνδεθείτε.

Είσοδος με κωδικό επαλήθευσης

1. Πατήστε «Είσοδος με επαλήθευση μέσω SMS» σε νέα σελίδα
2. Το σύστημα αναγνωρίζει αυτόματα τη χώρα / περιοχή σας. Μπορείτε επίσης να επιλέξετε οι ίδιοι τον κωδικό της χώρας σας.

Ξέχασα τον κωδικό πρόσβασης

Εάν ξεχάσατε τον κωδικό πρόσβασης σας, ακολουθήστε τα παρακάτω:

1. Πατήστε «Ξέχασα τον κωδικό πρόσβασης»
2. Το σύστημα αναγνωρίζει αυτόματα τη χώρα / περιοχή σας. Μπορείτε επίσης να επιλέξετε οι ίδιοι τον κωδικό της χώρας σας. Πληκτρολογήστε τον αριθμό κινητού τηλεφώνου / τη διεύθυνση E-mail και πατήστε «Επόμενο»
3. Εισαγάγετε τον κωδικό επαλήθευσης που λάβατε στο μήνυμα / στη διεύθυνση E-mail και πληκτρολογήστε τον νέο κωδικό πρόσβασης πατήστε «Επιβεβαίωση» για να ολοκληρώσετε.

Η σύνδεση μέσω Wi-Fi της Woods υποστηρίζει τις παρακάτω λειτουργίες:

Ενεργοποίηση / Απενεργοποίηση
 Λειτουργία ψύξης
 Λειτουργία αφύγρανσης
 Λειτουργία ανεμιστήρα
 Λειτουργία Eco
 Ρυθμίσεις θερμοκρασίας
 Ταχύτητα: Χαμηλή, μεσαία και υψηλή
 Χρονοδιακόπτης: 1 - 24 ώρες
 Ύπνου: On / Off
 Αυτόματος καθαρισμός: On / Off
 Κελσίου/Φαρενάιτ
 Ταλάντευση: On / Off

3. Ακολουθήστε τις διαδικασίες στην εφαρμογή για να απολαύσετε τη σύνδεση μέσω Wi-Fi.

Smart Home

Εάν έχετε ένα προϊόν Smart Home, ολοκληρώστε το βήμα 1 έως 3.

Υπηρεσία πρόσβασης άλλου κατασκευαστή: Πατήστε ένα εικονίδιο φωνητικής υπηρεσίας άλλου κατασκευαστή για να δείτε πώς μπορείτε να συνδεθείτε στην υπηρεσία.

Θα βρείτε αυτά τα εικονίδια

Η υπηρεσία Smart Home Woods Connect υποστηρίζει τις παρακάτω λειτουργίες μέσω φωνητικών εντολών:

Ενεργοποίηση / Απενεργοποίηση
 Ρυθμίσεις θερμοκρασίας
 τρόποι λειτουργίας fan Λειτουργίες

Για περισσότερες πληροφορίες επισκεφτείτε την ηλεκτρονική διεύθυνση:

<https://woods.se/en/>

ΠΡΟΒΛΗΜΑ	ΑΙΤΙΑ	ΑΝΤΙΜΕΤΩΠΙΣΗ
Η μονάδα δεν ξεκινά όταν πατάτε το κουμπί on/off	Δεν είναι συνδεδεμένη / Βύσμα ή υποδοχή κατεστραμμένα.	Συνδέστε στο ρεύμα ή την υποδοχή ή αντικαταστήστε το βύσμα ή την υποδοχή.
	Η ασφάλεια κάρηκε	Αντικαταστήστε την ασφάλεια (3.15A/250AC)
	Η θερμοκρασία δωματίου είναι χαμηλότερη από τη θερμοκρασία ρύθμισης. (Λειτουργία ψύξης)	Επαναφορά της θερμοκρασίας
Δεν είναι αρκετά δροσερά	Οι πόρτες ή τα παράθυρα δεν είναι κλειστά.	Βεβαιωθείτε ότι όλα τα παράθυρα και οι πόρτες είναι κλειστά.
	Υπάρχουν πηγές θερμότητας μέσα στο δωμάτιο.	Αφαιρέστε τις πηγές θερμότητας, αν είναι δυνατόν
	Ο εύκαμπτος σωλήνας αέρα εξάτμισης δεν συνδέεται ή εμποδίζεται.	Συνδέστε ή καθαρίστε τον εύκαμπτο αεραγωγό εξάτμισης.
	Η ρύθμιση της θερμοκρασίας είναι πολύ υψηλή.	Επαναφορά της θερμοκρασίας
	Η είσοδος του αέρα είναι μπλοκαρισμένη.	Καθαρίστε την είσοδο αέρα.
Υψηλό επίπεδο θορύβου	Το δάπεδο δεν είναι επίπεδο ή δεν είναι αρκετά επίπεδο	Τοποθετήστε τη μονάδα σε ένα επίπεδο, αν είναι δυνατόν
	Ο ήχος προέρχεται από τη ροή της ψυκτικής ουσίας μέσα στο κλιματιστικό	Είναι φυσιολογικό.

Αν αντιμετωπίζετε πρόβλημα με το κλιματιστικό φορητό κλιματιστικό, ανατρέξτε στις παρακάτω οδηγίες αντιμετώπισης προβλημάτων. Αν καμία ενέργεια από τις παρακάτω δεν έχει αποτέλεσμα, επικοινωνήστε με το κατάστημα λιανικής πώλησης για σέρβις του κλιματιστικού σας.

ΚΩΔΙΚΟΙ ΣΦΑΛΜΑΤΟΣ	ΑΙΤΙΑ	ΑΝΤΙΜΕΤΩΠΙΣΗ
Κώδικας E2	Αποτυχία ή βλάβη αισθητήρα θερμοκρασίας δωματίου	Αντικαταστήστε τον αισθητήρα θερμοκρασίας δωματίου
Κωδικός E3	Αποτυχία αισθητήρα θερμοκρασίας εξατμιστήρα.	Αντικαταστήστε τον αισθητήρα θερμοκρασίας εξατμιστήρα
Κώδικας E4	Δεξαμενή νερού πλήρης	Εκκενώστε τη δεξαμενή νερού.

Εγγυήσεις

2ετής εγγύηση καταναλωτή για κατασκευαστικές βλάβες. Σημειώστε ότι η εγγύηση ισχύει μόνο με την επίδειξη της απόδειξης αγοράς. Η εγγύηση ισχύει μόνο εάν το προϊόν χρησιμοποιείται σύμφωνα με τις οδηγίες και τις προειδοποιήσεις ασφαλείας που αναφέρονται ρητά στο παρόν εγχειρίδιο. Η εγγύηση δεν καλύπτει ζημιές που προκαλούνται από ακατάλληλο χειρισμό του προϊόντος.

ΣΗΜΕΙΩΣΗ: Η 2ετής εγγύηση ισχύει μόνο για τους καταναλωτές και όχι για εμπορική χρήση της μονάδας.



ΣΗΜΕΙΩΣΗ!

Εγγραφείτε στον ιστότοπο www.warranty-woods.com και διαβάστε σχετικά με το πώς μπορείτε να αποκτήσετε την εκτεταμένη εγγύηση.

Συνιστώμενα όρια χρήσης

Η βέλτιστη περιβαλλοντική θερμοκρασία λειτουργίας για την ψύξη είναι 17-35 °C, και η βέλτιστη περιβαλλοντική θερμοκρασία για τη θέρμανση είναι 8-25 °C. Η μονάδα λειτουργεί έως τους +43°C. Παράμετρος ασφάλειας: φ 5,0 x20 mm

ΤΕΧΝΙΚΑ

ΧΑΡΑΚΤΗΡΙΣΤΙΚΑ

	AC Milan 7K WIFI	AC Milan 9K WIFI	AC Como 12K WIFI
Ψυκτική ικανότητα	2000 W	2600 W	3500 W
Κατανάλωση ισχύος	750 W	950 W	1250W
Ροή αέρα:	350 m3/h	350 m3/h	380 m3/h
Ενεργειακή κλάση	A	A	A
Αφύγραση	19 L / 24h	24 L / 24h	28,8 L / 24h
Ρύθμιση θερμοκρασίας	15-31°C	15-31°C	15-31°C
Θερμοκρασία λειτουργίας	16-43°C	16-43°C	16-43°C
Βαθμός Ενεργειακής Απόδοσης (EER)	2,6	2,6	2,6
Μήκος σωλήνα αποστράγγισης	1,0 m	1,0 m	1,0 m
Διάμετρος σωλήνα	10 mm	10 mm	10 mm
Ψυκτικό μέσο	R290/100g	R290/160g	R290/220g
Στάθμη θορύβου σε νεοσιμπέλ	61dB	61dB	52dB
Βάρος	22 kg	24 kg	25 kg
Διαστάσεις σε χιλιοστά, Μ x Π x Υ	355x350x700	355x350x700	355x350x700

*Ενδέχεται να προκύψουν τεχνικές αλλαγές και βελτιώσεις. Όλες οι τιμές είναι κατά προσέγγιση και ενδέχεται να ποικίλουν λόγω εξωτερικών συνθηκών, όπως η θερμοκρασία, ο εξαερισμός και η υγρασία.



*Η σήμανση αυτή υποδεικνύει ότι το προϊόν αυτό δεν πρέπει να απορρίπτεται μαζί με άλλα οικιακά απόβλητα σε ολόκληρη την ΕΕ. Για αποφυγή πιθανής βλάβης του περιβάλλοντος ή της ανθρώπινης υγείας από την ανεξέλεγκτη διάθεση αποβλήτων, ανακυκλώστε τη συσκευή με υπευθυνότητα για την προώθηση της βιώσιμης επαναχρησιμοποίησης των υλικών πόρων. Για να μας επιστρέψετε τη συσκευή σας, παρακαλούμε χρησιμοποιήστε τα συστήματα επιστροφής και συλλογής ή επικοινωνήστε με το κατάστημα λιανικής πώλησης όπου αγοράσατε το προϊόν. Μπορούν να παραλάβουν αυτό το προϊόν για περιβαλλοντικά ασφαλή ανακύκλωση.



* Οι χρησιμοποιημένες μπαταρίες δεν πρέπει να απορρίπτονται μέσω οικιακών απορριμμάτων, καθώς ενδέχεται να περιέχουν τοξικά στοιχεία και βαρέα μέταλλα, τα οποία μπορούν να είναι επιβλαβή για το περιβάλλον και την ανθρώπινη υγεία. Να επιστρέψετε τις άδεις μπαταρίες σε κατάλληλη μονάδα ανακύκλωσης.

WOOD'S FYRIR HREINT OG HEILSUSAMLEGT INNANHÚSLOFT

Vörumerkið Wood's fæddist með Wood's-fjölskyldunni fyrir rúmum 70 árum í kanadísku borginni Guelph, Ontario. Þar hóf Wood's að þróa og framleiða rakaeyða árið 1950. Síðan þá hefur Wood aðstoðað nokkur hundruð þúsund heimila við að koma í veg fyrir skemmdir vegna myglu og anda að sér hreinu lofti. Færanlegi loftkælirinn okkar er hentugur til notkunar í flestum tegundum loftslags, þar sem afkastageta hans er mikil, einnig við mismunandi hita- og rakastig. Þau eru notuð með góðum árangri á stöðum þar sem raki er, s.s. í dagstofum, skrifstofum og svefnherbergjum. Það magn heits lofts sem loftkælirinn fjarlægir fer eftir hitastigi, rakastigi og staðsetningu tækisins. Ytri veðurskilyrði geta einnig haft áhrif á afköst loftkælisins.

Loftkælarnir frá Wood's eru öruggir í notkun og endast árum saman við stöðuga notkun.

HVERNIG VINNUR LOFTKÆLINGARBÚNAÐURINN?

Lágur þrýstingur framleiðir kalt loft. Aðal búnaður loftkælisins er kælivökvi sem undir lágum þrýstingi er breytt í gas. Ferlið „býr til kulda“, sem er sendur inn samtímis sem að heitu lofti er haldið úti. Fljótandi kælivökvi fer í gegnum pensulventil og í rör þar sem þrýstingur er lágur.

Kælivökvinn gufar upp og verður að gasi. Ferlið sagnar að sér hita frá umhverfinu og rörið kælist. Viftur blása köldu loftinu inn í herbergið. Gasið fer í gegnum pressu sem eykur þrýstinginn og breytir gasinu í vökva. Í þessu ferli, er hita sleppt út, hann leiddur í rör yfir í gagnstæða hlið og síða er hann blásinn út með viftu.

Hitastillir slekkur á tækinu þegar innanhússhitinn hefur kólnað nægilega.

1. ÖRYGGISVIÐVARANIR



Eldfim efni. Þetta tæki inniheldur R290/ própan sem er eldfimt kæliefni.



Notið þessa handbók til að sjá öryggisupplýsingar



Lesið tæknihandbók



Lesið notkunarhandbók.

ÖRYGGISUPPLÝSINGAR

Áður en þú setur upp tækið og byrjar að nota það skaltu lesa meðfylgjandi leiðbeiningar vandlega. Framleiðandi er ekki ábyrgur ef röng uppsetning og notkun valda meiðslum og tjóni. Geymdu leiðbeiningarnar með tækinu til að geta skoðað þær síðar.

Öryggi barna og viðkvæmra

VIÐVÖRUN

Hætta á meiðslum eða varanlegri fötlun.

Börn 8 ára og eldri og einstaklingar með skerta líkamlega getu, skynjun eða andlega getu, eða skort á reynslu og þekkingu geta notað þetta tæki undir eftirliti eða eftir að hafa fengið leiðbeiningar varðandi notkun tækisins á öruggan hátt og ef þau gera sér grein fyrir þeirri áhættu sem því fylgir.

Leyfið ekki börnum að leika sér

með tækið.

Börnum yngri en 3 ára skal haldið frá tækinu nema undir stöðugu eftirliti.

Geymið allar umbúðir fjarri börnum.

Börn skulu ekki annast hreinsun og viðhald án umsjórnar.

Almennt öryggi

Þetta tæki er ætlað til nota á heimilum og svipuðum rýmum svo sem: Dagstofum, alrýmum, starfsmannaeldhúsum í verslunum, skrifstofum og öðru vinnuumhverfi. Flokkunarplatan er staðsett aftan á eða á hlið loftkælisins. Haldið aðskotahlutum fjarri loftopum.

Notið ekki vélbúnað eða aðrar aðferðir til að hraða afíngingu en þær sem framleiðandi mælir með. Ekki skal geyma tækið í herbergi þar sem neistagjafar eru í gangi (opnir logar, gastæki eða rafmagnshitarar). Gatið ekki eða brennið.

Hafið í huga að kæliefni geta verið lyktarlaus. Notið ekki vatnsúða eða gufu til að hreinsa tækið. Hreinsið tækið með rökum mjúkum klút. Notið aðeins hlutlaus hreinsiefni. Notið ekki slípivörur, slípiefnasvampa, leysiefni eða málmhluti.

Ef rafmagnsnúran er skemmd þarf að skipta um hana hjá framleiðanda, viðurkenndum viðgerðaraðila eða sambærilegum aðila til að forðast hættur.

ÖRYGGISLEIÐBEININGAR

Uppsetning

VIÐVÖRUN



Aðeins hæfur aðili skal annast uppsetningu tækisins. Fjarlægið allar umbúðir. Setjið ekki upp eða notið skemmt tæki. Tæki skal uppsett, notað og geymt í herbergi með sem er með gólfplatarmál sem er stærra en 4,2m²(7k), 7,7m²(9k), 9,6m²(12k). Fylgja skal þeim leiðbeiningum um uppsetningu sem fylgja tækinu. Sýnið ávallt aðgát þegar tækið er fært því það er þungt. Klæðist ávallt öryggishönskum. Hafið í huga að kæliefni geta verið lyktarlaus.

Gangið úr skugga um að loft leiki óhindrað umhverfis tækið. Bíðið í að minnsta kosti 4 klukkustundir áður en tækið er tengt við rafmagn. Þetta er til að leyfa olíunni að renna til baka í pressuna. Setjið ekki tækið nálægt ofnum eða öðrum hitagjöfum. Staðsetjið ekki tækið í beint sólskin.

Rafmagn

VIÐVÖRUN



Hætta á bruna og raflosti. Tækið skal tengja við jarðtengda innstungu. Gangið úr skugga um að rafmagnsupplýsingarnar á flokkunarkerkinu séu í samræmi við orkugjafann. Ef ekki, skal hafa samband við rafvirkja. Notið ávallt rétt uppsetta höggþétta innstungu. Notið ekki fjöltengi og

framlengingarsnúrum. Gætið þess að valda ekki skemmdum á rafíhlutum (t.d. tengjum, snúrum). Hafið samband við viðurkennda þjónustumiðstöð eða rafvirkja til að skipta um rafíhluti. Snúran verður að vera fyrir neðan innstunguna/klóna. Tengið ekki klóna við innstunguna fyrr en uppsetningu er lokið. Gangið úr skugga um að hægt sé að komast að klónni eftir uppsetningu. Dragið ekki í rafmagnssnúruna til að aftengja tækið. Togið alltaf í klóna sjálfa.

Notkun

VIÐVÖRUN



Hætta á meiðslum, bruna, raflosti eða eldsvoða. Breytið ekki eiginleikum tækisins.

Gætið þess að valda ekki skemmdum á kælihringrásinni. Hún inniheldur própan (R290), náttúrulegt gas með háa umhverfissamhæfni. Þetta gas er eldfimt.

Ef skemmdir eiga sér stað í kælihringrásinni skal ganga úr skugga um að engir logar eða og neistagjafar séu í herberginu. Loftræstið herbergið. Setjið ekki eldfimar vörur eða vörur sem eru bleyttar með eldfimum efnun nálægt tækinu eða ofan á það.

Förgun

VIÐVÖRUN



Hætta á meiðslum. Takið tækið úr sambandi. Klippið rafmagnssnúruna af og fleygið henni. Kælihringrásin í þessu tæki er ósónvæn. Hafið samband við viðkomandi aðila í þínu landi til að fá upplýsingar um hvernig þú fargar tækinu á réttan hátt. Valdið ekki skemmdum á þeim hluta kælieiningarinnar sem er nálægt hitaskiptinum.

FYRSTA UPPSETNING LOFTKÆLIS

2. Uppsetning

FYRIR FYRSTU NOTKUN

Látið tækið standa í 2 klst fyrir notkun. Val á staðsetningu

Mikilvægt

1. Loftkælinn má auðveldlega færa til innandyra. Halda skal tækinu í uppréttri stöðu þegar það er fært. Staðsetja skal loftkælinn á sléttu yfirborði.

Ekki skal setja tækið upp eða nota það í baðherbergi eða öðru blautu umhverfi.

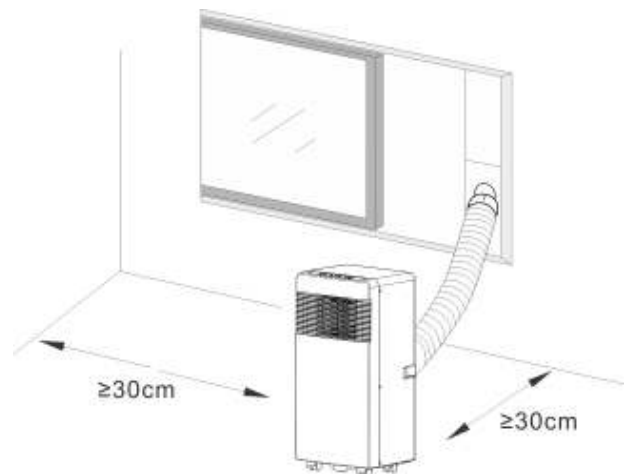
Þar sem að færanlegi loftkælirinn er á hjólum er auðvelt að færa hann. Þegar hitinn hækkar er færanlegi loftkælirinn einfaldlega færður inn í herbergið og getur um leið farið að kæla niður rýmið.

Loftkælinn skal nota í lokuðu rými til þess að afköstin verði sem best. Lokið öllum hurðum, gluggum og öðrum utanaðkomandi loftopum herbergisins. Afköst loftkælisins fara eftir hita- og rakastigi.

2. Staðsetjið loftkælinn þannig að loftflæði sé óhindrað inn um framhlið tækisins.

3. Loftkæling sem starfar í herbergi mun hafa lítil eða engin áhrif á þurrkun í aðliggjandi lokuðu geymslusvæði, svo sem skáp, nema fullnægjandi dreifing lofts sé til staðar í og út af svæðinu. Færanlegur loftkælir flytur hitann frá tækinu með loftbarka út um glugga eða loftræstiop.

4. Halda skal a.m.k. 30 cm fjarlægð milli loftkælisins og nærliggjandi hluta. Sjá mynd til viðmiðunar.



VÖRULÝSING

3. Vörulýsing

A

1. Útblástursbarki
2. Tengistykki loftútblastursbarka
3. Millistykki gluggaútblastur
4. Fjarstýring
5. Hlífðarplata
6. Vatnstappi

B

1. Mynd af framhlið tækisins

C

1. Stjórnborð
2. Úttak fyrir kalt loft
3. Merkismóttakari
4. Fjarstýring
5. Flutningshandfang
6. Loftúttaksbarki
7. Loftinntak fyrir eimi
8. Aðal niðurfallsgátt

D

1. Mynd af tækinu séðu að ofan

E

1. Tímastillir / Hnappur fyrir hitastig upp
2. Tímastillir / Hnappur fyrir hitastig niður
3. Sjálfvirk kæling
Hamur fyrir rakaeyðingu og víftu
4. WIFI
5. Svefn- og barnalæsingarhnappur
6. Sveifla
7. Tímahnappur
8. Hamhnappur
9. Hraðahnappur
10. Aðalhnappur
11. Lágur, Hár víftuhraði
12. Orkuvísir / Barnalæsing

F

1. Skýringarmynd af hreinsun á síugrilli

G

1. HNAPPUR
Straumur á/af
2. HNAPPUR
Ýttu á þennan hnapp til að velja aðgerðarham.
3. HNAPPUR
Notaður til að velja hraðastig fyrir víftu.
4. og STILLIHNAPPAR
notaðir til að stilla herbergishita og tíma.
5. HNAPPUR
Notaður til að setja í eða hætta við aðgerð í ham.
6. HNAPPUR
Notaður til að stilla sjálfvirkt tíma fyrir AF og Á.
7. HNAPPUR
Notaður til að stilla sjálfvirka sveiflu.

H

1. Snúið báða enda útblástursbarkans inn í barkatengið.

I

1. Uppsetning á útblástursbarka

J

1. Uppsetning á útblástursbarka

K

1. Uppsetning á gluggarennusetti

L

1. Tenging afrennslisslönngu

LÝSING Á AÐGERÐARHÖMUM OG UPPSETNINGU

A. Aukabúnaður

Eftir uppökkun skal athuga hvort ofangreindir fylgihlutir séu innifaldir og athuga tilgang þeirra í uppsetningarkynningunni í þessari handbók.

B. Færanlegur loftkælir

J. Útlit og virkni fjarstýringar.

Athugið:- Látið ekki fjarstýringuna detta. Staðsetjið ekki fjarstýringuna í beint sólskin.

M. Aðgerðakynning

Áður en aðgerðir eru hafnar í þessum hluta:

- 1) Veljið stað nálægt innstungu.
- 2) Setjið útblástursbarkann upp og stillið hann vel í glugganum.
- 3) Tengjið afrennslisslönguna vel (aðeins til að nota fyrir hitagerðir);
- 4) Setjið rafmagnssnúruna í jarðtengda AC220~240V/50Hz innstungu;
- 5) Ýtið á POWER-hnappinn til að kveikja á loftkælinum.

K&L. Uppsetning á útblástursbarka

A) Uppsetning til bráðabirgða

1. Snúið báða enda útblástursbarkans inn í barkedugið.
2. Settu ferköntuðu festismelluna inn í loftúttakið aftan á loftkælinum
3. Settu hinn endann á útblástursbarkanum á nálæga gluggakistu.

N. Uppsetning á gluggarennusetti

Uppsetningarháttur gluggarennusettsins er að mestu í „lárétt“ og „lóðrétt“. Eins og sýnt er á mynd 5 og mynd 5a, athugið lágm. og hálm. stærð gluggans fyrir uppsetningu.

1. Uppsetning á gluggarennusetti;
2. Stillið lengd gluggarennusettsins í samræmi við gluggabreidd eða hæð og festið það með stýringunni;
3. Setjið gluggatengibarkann í gatið á gluggasettinu.

O. Viðvörðunareiginleiki fyrir fullan innri

tank

Innri vatnstankurinn í loftkælinum er með öryggisrofa sem stýrir vatnshæðinni. Þegar vatnshæð nær æskilegri hæð, kviknar á ljósinu fyrir fullt vatn. Villukóði „E4“ birtist á skjánum. (Ef vatnsdæla er skemmd, þegar tækið er fullt af vatni, fjarlægið gúmmítappann neðst á tækinu og allt vatn rennur út.)

Það er mjög mikilvægt að hreinsa síuna reglulega; annars getur dre-gið úr afkastagetu loftkælisins og hann jafnvel skemmst alvarlega.

H. Atriði varðandi viðhald:

- 1) Gangið úr skugga um að tækið sé aftengt frá öllu rafmagni áður en þrif eru framkvæmd;
- 2) Notið ekki bensín eða önnur efni til að þrifa tækið;
- 3) Þvoið ekki tækið beint;
- 4) Ef kælinn er skemmdur, vinsamlegast hafðu samband við söluaðila eða viðgerðarverkstæði.

1. Loftsía

-Ef loftsía stíflast með ryki/óhreinindum, skal hreinsa loftsíu á tveggja vikna fresti. -Sundurtekning Opnið loftinntaksgrillið og fjarlægið loftsíuna.

-Þrif

Hreinsið loftsíuna með hlutlausu volgu þvottaefni (40°C) og látið hana þorna í skugga.

-Uppsetning

Settu loftsíuna aftur inn í loftinntaksgrillið og setjið hlutina á sinn stað.

2. Hreinsið fyrst yfirborðið með hlutlausu þvottaefni og blautum klút og þurrkið síðan af með þurrum klút.

E. Fyrir notkun

Gakktu úr skugga um að útblástursbarkinn sé rétt uppsettur.

Varúðarráðstafanir fyrir kæli- og

rakaeyðingaraðgerðir: -Þegar kæling og

rakaeyðing er notuð skal hafa að minnsta kosti 3 mínútur á milli þess sem straumur er settur á.

-Aflgjafi uppfullir kröfur.


-Innstungan er fyrir AC-notkun.

-Deilið ekki einni innstungu með öðrum tækjum.

-Aflgjafi er AC220-240V, 50Hz

1. Kveikja á tækinu

a) Setjið í samband og þá gefur tækið frá sér hljóðmerki einu sinni, Ljós kviknar á orkuvísinum.

b) Ýttu á „“-hnappinn og þá er kveikt á tækinu.

c) Ljósdióðan sýnir herbergishita í sjálfvirkum ham.

2. Kæliaðgerð

-Ýtið á hnappinn „Mode“ (Hamur) þangað til táknið „Cool“ (Kæling) birtist.

-Ýtið á „+“ eða „-“ hnappinn til að velja æskilegan herbergishita. (15°C -31°C)

-Ýtið á hnappinn „Fan Speed“ (Viftuhraði) til að velja blásturshraða.

3. Rakaeyðingaraðgerð Ýttu á hnappinn

„Mode“ (Hamur) þar til táknið „Dehumidify“ (Rakaeyða) birtist. -Stillið sjálfvirkt valið hitastig við núverandi stofuhita mínus 2°C .

-Stillið sjálfkrafa viftumótor á LÁGAN blásturshraða.

4. Viftuaðgerð

-Ýtið á hnappinn „Mode“ (Hamur) þangað til táknið „Fan“ (Vifta) birtist.

-Ýtið á hnappinn „Fan Speed“ (Viftuhraði) til að velja blásturshraða.

5. Upphitunaraðgerð (þessi aðgerð er ekki

tiltæk fyrir einfalda kalda einingu) -Ýttu á hnappinn „Mode“ (Hamur) þar til táknið „Heat“ (Hiti) birtist.

-Ýtið á hnappinn „+“ eða „-“ til að velja æskilegan herbergishita. (15°C - 31°C)

-Ýtið á hnappinn „Fan Speed“ (Viftuhraði) til að velja blásturshraða.

LÝSING Á AÐGERÐARHÖMUM OG UPPSETNINGU

6. ⌚ Tímastilling

a) Ýttu á hnappinn „Timer“ (Tímastillir) til að stilla tíma fyrir sjálfvirkt AF á meðan tækið er í gangi.

b) Ýttu á hnappinn „Timer“ (Tímastillir) til að stilla tíma fyrir sjálfvirkt AF á meðan tækið er tilbúið.

c) Hægt er að stilla tímamann á bilinu 1 klukkustund til 24 klst. Ýttu á hnappinn

fyrir hita upp “+” eða hita niður “-” til að auka eða minnka tímamann um 1 klukkustund með því að ýta einu sinni.

7. ☺ Aðgerð

a) a) Aðgerðin er virk þegar tækið er í ☹ ham.

b) Ýtið á ☺ hnappinn í ☹ ham og þá mun tækið starfa í svefnham og viftan fara sjálfkrafa í lágan hraða. Stillingin hækkar um 1°C eftir eina klukkustund og hækkar um 2°C eftir tvær klukkustundir. Eftir sex tíma slekkur tækið á sér.

8. ↻ Aðgerð

þegar sveifluhnappurinn er virkjaður sveiflast sveiflublaðið upp og niður sjálfkrafa. Ef þú vilt stöðva skaltu ýta aftur á hnappinn.

Viðhald

Hreinsaðu tækið með mjúkum rökum klút. Forðist að nota leysiefni eða sterk hreinsiefni þar sem það getur skemmt yfirborð tækisins.

Þjónusta

Ef loftkælirinn krefst viðhalds þarf fyrst að hafa samband við söluaðila. Sönnunar fyrir kaupum er krafist fyrir allar ábyrgðarkröfur

Geymsluleiðbeiningar

Geymsla við lok árstíða

1) Skrófið frárennislökið af og takið vatnstappann úr til að tæma þéttivatn að fullu.

2) Hafið tækið í hamnum fyrir viftu í gangi í hálfan dag til að þurrka tækið alveg að innan til að koma í veg fyrir myglu.

3) Slökkvið á tækinu, takið það úr sambandi og vefjið snúrunni í kringum snúruhaldarann, setjið klóna í festinguna á bakhlið tækisins og setjið vatnstappann og lokið á sinn stað.

4) Fjarlægið útblástursbarkabúnaðinn, þrífið hann og geymið á góðum stað. Athugasemdir:

Haldið í búnaðinn fyrir útblástursbarkann með báðum höndum þegar hann er fjarlægður.

Ýtið festingunum á loftúttökunum til hliðar með þumalfingrunum og dragið síðan útblástursbarkabúnaðinn út.

5) Pakkið loftkælinum vandlega inn í mjúkan plastpoka og setjið hann á þurran stað með viðeigandi rykvörn og haldið tækinu fjarri börnum.

6) Takið rafhlöðurnar úr fjarstýringunni og geymið þær á góðum stað.

Ath:

Tryggið að tækið sé geymt á þurrum stað. Vernda skal alla fylgihluti tækisins tryggilega saman.

Snúruhaldari og innstungur verja snúruna tryggilega.

Há staða úttaks fyrir útblástur, auðveld samsetning og hröð loftræsting.

Smart, umhverfisvænn og orkusparandi með sjálfeimandi kælikerfi.

24 tíma tímavirkni, einstök á/af áminningartónlist.

3-mínútna seinkun á ræsingunni til varnar pressu og ýmsir aðrir verndunareiginleikar.

WiFi-eiginleikar

1. Sækja og setja upp forrit

Sækja Woods Connect App frá App Store eða Google Play

1. Nýskráning/Innskráning/gleymt lykilorð

Skrá

Ef þú ert ekki með App-reikning skaltu skrá þig á reikning eða skrá þig inn með staðfestingarkóða með SMS. Þessi síða lýsir skráningarferlinu.

1. Snertu til að opna skráningarsíðu
2. Kerfið þekkir sjálfkrafa land þitt/svæði. Einnig er hægt að velja landskóða. Sláðu inn farsímanúmerið/netfangið og ýttu á „Next“.
3. Ef þú slærð inn farsímanúmerið, sláðu þá inn staðfestingarkóðann í skilaboðunum og ýttu á „Confirm“ til að ljúka skráningunni.
4. Ef þú slærð inn tölvupóstinn, sláðu þá inn lykilorðið og ýttu á „Confirm“ til að klára skráninguna.

2. Skráðu þig inn með notandanafni og lykilorði eða staðfestingarkóða í gegnum SMS

Skráðu þig inn með notandanafni og lykilorði

1. Kerfið þekkir sjálfkrafa land þitt/svæði. Einnig er hægt að velja landskóða. Sláðu inn farsímanúmerið/tölvupóstinn og ýttu á „Next“
2. Sláðu inn skráð farsímanúmer þitt eða tölvupóst og lykilorð til að skrá þig.

Skráðu þig inn með staðfestingarkóða

1. Ýttu á „Sign in with SMS verification“ á nýja síðu
2. Kerfið þekkir sjálfkrafa land þitt/svæði. Einnig er hægt að velja landskóða.

Gleymt lykilorð

Ef þú gleymdir aðgangsorðinu þínu skaltu fylgja þessu ferli:

1. Ýttu á „Forgot password“
2. Kerfið þekkir sjálfkrafa land þitt/svæði. Þú getur einnig sjálfur valið þinn landskóða. Sláðu inn farsímanúmerið/netfangið og ýttu á „Next“.
3. Sláðu inn staðfestingarkóðann í skilaboðunum/tölvupóstinum og ýttu á „Confirm“ til að ljúka skráningunni.

<https://woods.se/en/>

WiFi Woods Connect styður neðangreindar aðgerðir:

Kveikja/Slökkva
Kælistilling
Rakaeyðistilling
Viftustilling
Sparnaðarstilling
Hitastillingar
Hraði Lágur, meðal og hár
Tímastillir. 1-24 klst.
Svefn: Á/Af
Sjálfvirk hreinsun: Á/Af
Celsius/Fahrenheit
Sveifla. Á/Af

3. Fylgdu ferlinu í FORRITINU til að nota WiFi.

Smart Home

Ef þú ert með Smart Home vöru skaltu framkvæma skref 1 til 3.

Þjónustuaðgangur þriðja aðila: Ýttu á táknið fyrir raddþjónustu þriðja aðila til að sjá hvernig á að tengjast þjónustunni. Þú finnur þessi tákni

Smart Home Woods Connect styður neðangreindar aðgerðir með raddskipun:

Kveikja/Slökkva
Hitastillingar
Starfa stillingar
Fan Modes

Nánari upplýsingar er að finna á:

VANDAMÁL	ORSÖK	ÚRRÆÐI
Tækið fer ekki í gang þegar ýtt er á on/off-hnappinn	Ekki í sambandi / Innstunga eða kló skemmd.	Setjið í samband eða skiptið um straumaðfærslu eða innstungu.
	Öryggi brunnið	Skiptið um öryggi (3,15A/250AC)
	Herbergishitastig er lægra en stillingarhitastigið. (Kælistilling)	Endurstillið hitann
Ekki nógu kalt	Hurðir eða gluggar eru ekki lokaðir.	Gakktu úr skugga um að allir gluggar og hurðir séu lokaðar.
	Það eru hitagjafir inni í herberginu.	Fjarlægjið hitagjafa ef hægt er
	Útblástursbarki ekki tengdur eða stíflaður.	Tengdu eða hreinsaðu útblástursbarkann.
	Hitastilling er of há.	Endurstillið hitann
	Lofntinntak stíflað.	Hreinsið lofntinntakið.
Tækið er hávært	Undirlag er óslétt eða hallandi	Setja eininguna á slétt lárétt yfirborð, ef hægt er
	Hljóðið kemur úr frá kælivökvanum inni í loftkælingunni	Það er eðlilegt.

Ef vandamál koma upp með flytjanlegur loftkælir, skoðið neðangreind atriði fyrir bilanaleit. Ef ekkert af neðangreindum úrræðum virka, vinsamlegast hafið samband við söluaðila til að fá viðhaldsþjónustu.

BILANAKÓÐAR	ORSÖK	ÚRRÆÐI
E2 Kóði	Bilun eða skemmdir á herbergishitaskynjara.	Skiptið um herbergishitaskynjara
E3 Kóði	Bilun í hitaskynjara fyrir eimi.	Skiptið um hitaskynjara fyrir eimi
E4 Kóði	Vatnstankur fullur	Tæmið vatnstankinn.

Ábyrgðir

2 ára ábyrgð neytenda gagnvart framleiðslugöllum. Vinsamlegast athugið að ábyrgðin gildir aðeins gegn framvísun kvittunar. Ábyrgðin gildir aðeins ef varan er notuð í samræmi við þær leiðbeiningar og öryggisviðvaranir sem eru að finna í þessari handbók. Ábyrgðin nær ekki til tjóns sem stafar af óviðeigandi meðferð vörunnar.

ATHUGIÐ: 2 ára ábyrgðin á aðeins við um neytendur og er ekki fyrir notkun tækisins í atvinnuskyni.



ATHUGIÐ!

Skráðu þig á www.warranty-woods.com og lestu um hvernig þú færð framlengda ábyrgð. Frekari upplýsingar er að finna á woods.se.

Ráðlögð mörk fyrir notkun

Besti umhverfishiti fyrir kælingu er 17-35 °C og ákjósanlegur umhverfishiti fyrir upphitun er 8-25 °C. Tækið getur unnið við hita upp að + 43°C. Öryggjaupplýsingar: ø5,0x20mm 3,15A, 250Vac.

TÆKNILÝSING	AC Milan 7K WIFI	AC Milan 9K WIFI	AC Como 12K WIFI
Kæligeta	2000 W	2600 W	3500 W
Orkunotkun	750 W	950 W	1250W
Lofthæði:	350 m ³ /klst	350 m ³ /klst	380 m ³ /klst
Orkuflokkur	A	A	A
Rakaeyðing	19l / 24klst	24l / 24klst	28,8l/24klst
Hitastilling	15-31°C	15-31°C	15-31°C
Vinnuhiti	16-43°C	16-43°C	16-43°C
EER	2,6	2,6	2,6
Lengd afrennisslönngu	1,0 m	1,0 m	1,0 m
Þvermál slönngu	10mm	10mm	10mm
Kæliefni	R290/100g	R290/160g	R290/220g
Hávaðastig í desibel	61dB	61dB	52dB
Þyngd	22kg	24kg	25kg
Mál í mm, L x B x H	355x350x700	355x350x700	355x350x700

*Tæknilegar breytingar og endurbætur geta átt sér stað. Öll gildi eru um það bil og geta verið breytileg vegna utanaðkomandi aðstæðna s.s. hitastigs, loftræstingar og rakastigs.



*Þetta merki gefur til kynna að ekki skuli farga tækinu með öðru heimilissorpi innan ESB. Til að koma í veg fyrir mögulegt umhverfis- eða heilsutjón vegna rangrar förgunar skal koma tækinu í endurvinnslu þannig að förgun efna fari fram ábyrgan og sjálfbæran hátt. Þegar þú skilar tækinu skaltu nota skila- og söfnunarkerfi eða hafa samband við söluaðila tækisins. Þeir geta tekið á móti tækinu og komið því í endurvinnslu.



*Notuðum rafhlöðum skal ekki fargað með hefðbundnu heimilissorpi, þar sem þær gætu innihaldið eitrefni og þungmálma sem geta haft skaðleg áhrif á umhverfið og heilsu manna. Farðu með tómar rafhlöður til viðeigandi endurvinnslustöðvar.

WOOD'S TAGAB PUHTA JA TERVISLIKU SISEÕHU

Wood'si brändi lõi üle 70 aasta tagasi perekond Wood Kanada linnas Guelphis, Ontarios. Siin alustas Wood's 1950. aastal õhukuivatite arendamist ja tootmist. Sellest ajast peale on Wood's aidanud mitmesajal tuhandel majapidamisel ennetada hallitusest ja niiskusest tingitud kahjustusi ja hingata puhtamat õhku. Meie portatiivsed õhukonditsioneerid sobivad kasutamiseks enamikes kliimades, kus nende võimsus on piisav isegi erinevatel temperatuuridel ja niiskustasemetel. Need toimivad tõhusalt ruumides, kus temperatuur võib tõusta kõrgeks, nagu näiteks elutoad, kontorid või magamistoad. Õhukonditsioneer eemaldatava kuuma õhu kogus sõltub ruumi temperatuurist, niiskustasemest ja seadme asukohast. Ka välised ilmastikutingimused võivad õhukonditsioneerit töö kvaliteeti mõjutada.

Wood'si õhukonditsioneerid töötavad ohutult ja on ette nähtud pikaajaseks püsivaks kasutuseks.

KUIDAS ÕHUKONDISIONEER TÖÖTAB?

Madalrõhk tagab külma õhu. Õhukonditsioneer põhielement on jahutusvedelik, mis madalrõhu all muundatakse gaasiks. Protsessi käigus „tekib külm“, mis edastatakse ruumi sisse, hoides samas sooja õhu väljaspool. Jahutusvedelik läbib paisumisventiili ja suundub torru, kus rõhk on madal. Jahutusvedelik aurustub ja muutub gaasiks. Protsessi käigus imatakse ümbritsevast keskkonnast soojust ja toru jahutatakse. Ventilator puhub külma õhu tupp. Gaas läbib kompressori, mis suurendab rõhku ja muundab gaasi vedelikuks. Selle protsessi käigus vabaneb soojust, mis juhitakse vastasküljel asuvate torudeni ja mille ventilator välja puhub. Termostaat seiskab seadme, kui siseõhk on piisavalt külm.

1. ÖRYGGISVIÐVARANIR



Tuleohtlik materjal. See seade sisaldab kergestisüttivat külmutusagensit R290/propaan.



Ohutusteavet leiate sellest juhendist.



Lugege tehnilist juhendit.



Lugege kasutusjuhendit.

OHUTUSALANE TEAVE

Enne seadme paigaldamist ja kasutamist lugege komplektis olev juhend hoolikalt läbi. Tootja ei ole vastutav, kui vale paigaldus ja kasutus toob kaasa kehavigastusi ning kahjusid. Hoidke kasutusjuhend tulevikus kasutamiseks alati seadme juures.

Laste ja haavatavate isikute ohutus

HOIATUS



Kehavigastuste või püsiva tervisekahjustuse oht. Antud seadet võivad kasutada 8-aastased ja vanemad lapsed ning vähenenud füüsiliste, sensoorsete või vaimsete võimetega isikud või vastavate kogemusteta ja teadmisteta isikud, kui nad teevad seda järelevalve all või neile on õpetatud seadme ohutut kasutamist ning nad mõistavad seonduvaid ohtusid.

Ärge laske lastel seadmega mängida.

Alla 3-aastased lapsed tuleb hoida seadmest eemal, välja arvatud pideva järelevalve puhul. Hoidke kõiki pakendusdetalle lastele kättesaamatult. Lapsed ei tohi ilma järelevalveta seadet puhastada ja hooldada.

Üldine ohutus

See seade on mõeldud kasutamiseks kodumajapidamistes ja samalaadsetes kasutuskohades, näiteks: peretuba, elutuba, töötajate köögid kauplustes, kontorites ja muudes töökeskkondades. Andmeplaat paikneb õhukonditsioneerit taga või küljel. Vältige ventilatsioonivade blokeerimist.

NÄrge kasutage sulatuse kiirendamiseks mehaanilisi võtteid või muid meetodeid, mis pole tootja poolt soovitatud.

Seadet ei tohi hoiustada ruumis, kus on aktiivsed süttimisallikad (nt lahtine tuli, töötav gaasiseade või töötav elektriline küttekeha). Ärge torgake läbi ega põletage.

Võtke arvesse, et külmutusagensid võivad olla lõhnatud. Ärge piserdage seadet puhastamiseks veega ega kasutage auru.

Puhastage seadet niiske lapiga. Kasutage ainult neutraalseid pesuvahendeid. Ärge kasutage abrasiivseid tooteid, abrasiivseid puhastuslappe, lahusteid ega metallesemeid. Kui toitekaabel on kahjustatud, peab selle ohu vältimiseks välja vahetama tootja, tootja volitatud teeninduskeskus või sarnase kvalifikatsiooniga isikud.

OHUTUSJUHISED

Paigaldus



HOIATUS

Antud seadet võib paigaldada ainult kvalifitseeritud isik. Eemaldage pakendi kõik detailid. Ärge paigaldage ega kasutage kahjustatud seadet. Seade tuleb paigaldada, seda käitada ja hoiustadaruumis, mille põrandapind on suurem kui 4,2 m²(7k), 7.7m²(9k), 9.6m²(12k). Järgige seadmega kaasas olevat paigaldusjuhendit. Olge seadme liigutamisel alati ettevaatlik, kuna see on raske. Kandke alati kaitsekindaid. Võtke arvesse, et külmutusagensid võivad olla lõhnutud.

Veenduge, et õhk pääseks seadme ümber liikuma.

Oodake enne seadme elektritoitega ühendamist vähemalt 4 tundi. See võimaldab õlil tagasi kompressorisse voolata. Ärge paigaldage seadet radiaatorite või muude küttekehade lähedusse. Ärge paigaldage seadet otsese päikesevalguse kätte.

Elektrialane



HOIATUS

ulekahju- ja elektrilöögioht. Seade tuleb ühendada maandusega pistikupessa. Veenduge, kas elektritoide vastab andmeplaadil toodud elektriandmetele. Kui mitte, võtke ühendust elektrikuga.

Kasutage alati õigesti paigaldatud elektrilöögikindlat pistikupesa.

Ärge kasutage jaoturadaptereid ja pikendusjuhtmeid.

Kindlustage, et te ei kahjustaks elektrilisi komponente

(nt elektritoitepistik, elektritoitekaabel).

Elektriliste komponentede vahetamiseks võtke ühendust volitatud teeninduskeskuse või elektrikuga. Elektritoitejuhe peab jääma elektritoitepistikust madalamale. Ühendage elektritoitepistik pistikupessa alles paigalduse lõpus.

Kindlustage, et pärast paigaldamist oleks võimalik elektritoitepistikule ligi pääseda.

Ärge tõmmake seadme vooluvõrgust lahti ühendamiseks elektritoitekaablist. Tõmmake alati elektritoitepistikust.

Kasutus



HOIATUS

Kehavigastuste, põletuste, elektrilöögi või tulekahju oht.

Ärge muutke seadme tehnilisi omadusi.

Olge ettevaatlik, et mitte kahjustada külmutusagensi torustikku. See sisaldab propaani (R290), looduslikku gaasi, millele rakenduvad ranged keskkonnanõuded. See gaas on kergestisüttiv.

Kui külmutusagensi torustik saab vigastada, kindlustage, et ruumis ei oleks lahtist tuld ega süüteallikaid.

Õhutage ruumi.

Ärge pange seadme lähedale

ega selle peale kergesti süttivaid tooteid ega esemeid, mis on kergesti süttivate vedelikega koos.

Kasutuselt kõrvaldamine



HOIATUS

Kehavigastuste oht.

Ühendage seade vooluvõrgust lahti.

Eemaldage elektritoitekaabel ja kõrvaldage see kasutuselt.

Antud seadme külmutusagensisüsteem on osoonisõbralik. Võtke ühendust vastava kohaliku asutusega, et saada teavet selle kohta, kuidas seade nõuetekohaselt kasutuselt kõrvaldada.

Ärge kahjustage jahutusseadme osa, mis paikneb soojusvaheti lähedal.

ÕHUKONDITIONEERI PAIGALDUSEKS SEADISTAMINE

2. Paigaldus

ENNE ESMAKORDSET KASUTAMIST

Laske seadmel enne kasutamist 2 tundi seista.
Asukoha valimine

Tähtis

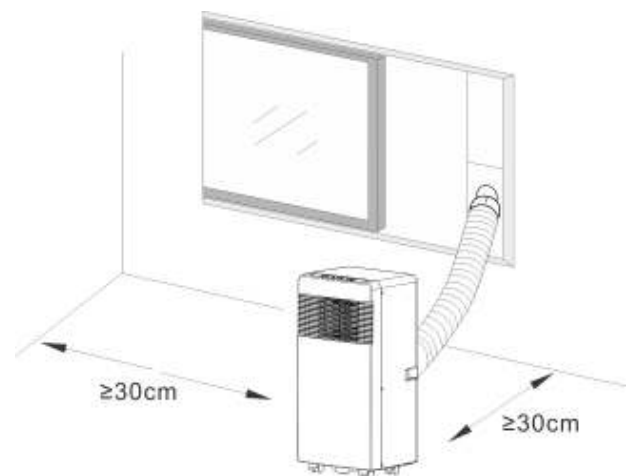
1. Õhukonditsioneer võib mugavalt siseruumides ringi liigutada; hoidke seadet selle teisaldamise ajal püstises asendis. Õhukonditsioneer tuleb asetada tasasele pinnale.

Ärge paigaldage ega kasutage seda õhukonditsioneerit vannitoas ega mõnes muus märjas keskkonnas. Kuna portatiivne õhukonditsioneer liigub ratastel, on lihtne selle asukohta muuta. Kui ruum muutub kuumaks, viite lihtsalt oma portatiivse õhukonditsioneeriga sinna ja saate kiiresti alustada ruumi jahutamist. Õhukonditsioneer tuleb maksimaalse tõhususe huvides käitada suletud ruumis. Sulgege kõik uksed, aknad ja muud toas leiduvad avaused. Õhukonditsioneerit tõhusus sõltub temperatuurist ja niiskustasemest.

2. Asetage õhukonditsioneer asukohta, mis ei tõkesta õhuvoolu seadme esiossa.

3. Ruumis töötav õhukonditsioneer mõjutab vähe või ei mõjuta üldse külgnevaid suletud hoiuruumi, nt kappe, välja arvatud juhul, kui on olemas piisav õhu ringlus selles piirkonnas. Portatiivne õhukonditsioneer suunab kuumuse seadmest välja ventilatsioonitoru kaudu läbi akna või väljalaskeklapi.

4. Õhukonditsioneerit ja lähima objekti vahel peab olema vähemalt 30 cm vahemaa. Vt pilti.



TOOTE KIRJELDUS

3. Toote kirjeldus

- | | | |
|---|---|---|
| <p>A</p> <ol style="list-style-type: none"> 1. Õhu väljalaskekanal 2. Õhu väljalaskekanali liitmik 3. Akna väljalaskeadapter 4. Kaugjuhtimispuult 5. Tõkisplaat 6. Veepistik <p>B</p> <ol style="list-style-type: none"> 1. Tootepilt eest <p>C</p> <ol style="list-style-type: none"> 1. Juhtpaneel 2. Külma õhu väljalaskeava 3. Signaali vastuvõtja 4. Kaugjuhtimispuult 5. Transpordi käepide 6. Õhu väljalaskevoolik 7. Aurusti siissetõmbeava 8. Esmane äravoolu väljund <p>D</p> <ol style="list-style-type: none"> 1. Tootepilt ülalt <p>E</p> <ol style="list-style-type: none"> 1. Taimeri/temperatuuri tõstmise nupp 2. Taimeri/temperatuuri langetamise nupp 3. Automaatne jahutamine
Õhukuvatuse ja ventilaatori režiim 4. WIFI 5. Svefn- og barnalæsingarhnappur 6. Pöördfunktsioon 7. Taimeri nupp 8. Režiiminupp 9. Kiiruse nupp 10. Toitenupp 11. Ventilaatori väike, suur kiirus 12. Toitenäidik / lapselukk | <p>F</p> <ol style="list-style-type: none"> 1. Filtrisõela puhastuse skemaatiline joonis <p>G</p> <ol style="list-style-type: none"> 1. NUPP
Toide sees/väljas 2. NUPP
Kasutatakse ventilaatori kiiruse järjestikuseks valimiseks 3. NUPP
Notaður til að velja hraðastig fyrir viftu. 4. ja NUPPUDE SEADISTAMINE
kasutatakse toatemperatuuri ja taimeri reguleerimiseks. 5. NUPP
Kasutatakse režiimi toimingu seadmiseks või tühistamiseks. 6. NUPP
Kasutatakse automaatse VÄLJA- ja automaatse SISSELÜLITAMISE aja seadistamiseks. 7. NUPP
Kasutatakse automaatse pöördfunktsiooni seadmiseks. | <p>H</p> <ol style="list-style-type: none"> 1. Keerake väljatõmbetoru mõlemad otsad toruühendusse. <p>I</p> <ol style="list-style-type: none"> 1. Väljalaskevooliku paigaldamise sissejuhatus <p>J</p> <ol style="list-style-type: none"> 1. Väljalaskevooliku paigaldamise sissejuhatus <p>K</p> <ol style="list-style-type: none"> 1. Aknaliuguri komplekti paigaldamine <p>L</p> <ol style="list-style-type: none"> 1. Ühendage äravooluvoolik |
|---|---|---|

LÝSING Á AÐGERÐARHÖMUM OG UPPSETNINGU

A. Lisaseadmed

Pärast lahtipakkimist kontrollige, kas ülalnimetatud lisaseadmed on komplektis ja kontrollige nende kasutust selle juhendi sissejuhatusesest.

B. Mobiilne õhukonditsioneer

J. Kaugjuhtimispuldi välimus ja funktsioon. Märkused: ärge pillake kaugjuhtimispulti maha. Ärge asetage kaugjuhtimispulti otse päikesevalguse kätte.

M. Sissejuhatus kasutamisse

Enne selles jaotises kirjeldatud toimingute alustamist:

- 1) leidke koht, kus läheduses oleks toiteallikas;
- 2) paigaldage väljatõmbetoru ja reguleerige akna asendit.
- 3) Ühendage äravooluvoolik korralikult (ainult küttemudeli kasutamisel);
- 4) sisestage toitejuhe maandatud AC 220 ~240 V / 50 Hz pistikupessa;
- 5) konditsioneer sisselülitamiseks vajutage nuppu „POWER“ (Toide).

K&L. Väljalaskevooliku paigaldamise sissejuhatus

A) Ajutine paigaldus

1. Keerake väljatõmbetoru mõlemad otsad toruühendusse.
2. Sisestage ruudukujuline kinnitusklamber õhukonditsioneeriga taga olevasse väljatõmbeavasse.
3. Asetage väljatõmbetoru teine ots lähedalasetsevale aknalauale.

N. Aknaliuguri komplekti paigaldamine

Aknaliuguri komplekti paigaldamise asendid on enamasti horisontaalne ja vertikaalne. Kontrollige enne paigaldamist akna minimaalset ja maksimaalset suurust, nagu näidatud joonistel 5 ja 5a.

1. Paigaldage aknakomplekt aknale;
2. Reguleerige aknaliuguri komplekti pikkust vastavalt akna laiusele või kõrgusele ja kinnitage see tüübliga.
3. Pange aknaühenduse toru

aknakomplekti auku.

O. Sisemise veepaagi täitumise signaali funktsioon

Õhukonditsioneer sisemisel veemahutil on üks veetaseme ohutuslülit, mis kontrollib veetaset. Kui veetase saavutab ettenähtud kõrguse, süttib paagi täitumise märgutuli. Ekraanil kuvatakse veakood „E4“. (Kui veepump on kahjustatud ja veepaak täis, eemaldage kummist stopper seadme põhjas ja kogu vesi voolab välja.)

On väga oluline, et filtrit puhastataks regulaarselt; vastasel juhul võib õhukonditsioneer võimsus väheneda ja seade isegi tõsiselt kahjustuda.

H. Hoolduse selgituse deklaratsioon:

- 1) enne puhastamist eemaldage seade kindlasti elektrivõrgust;
- 2) ärge kasutage seadme puhastamiseks bensiini ega muid kemikaale;
- 3) ärge peske seadet vahetult;
- 4) kui õhukonditsioneer on kahjustatud, pöörduge edasimüüja või remonditöökoja poole.

1. Õhufilter

– Kui õhufilter on tolmu/mustusega ummistunud, tuleb seda iga kahe nädala tagant puhastada. – Lahtivõtmine Avage õhu sissepuhkevõre ja eemaldage õhufilter.

– Puhastamine

Puhastage õhufiltrit neutraalse pesuvahendiga leiges (40 °C) vees ja laske sel varjulises kohas kuivada.

– Paigaldamine

Kui panete õhufiltrit õhu sissepuhkevõresse, asetage komponendid tagasi nii, nagu need olid.

2. Puhastage õhukonditsioneer pinda.

Esmalt puhastage pinda neutraalse puhastusvahendi ja märja lapiga, seejärel pühkige kuiva lapiga üle.

E. Enne kasutamist

Kontrollige, kas väljatõmbetoru on õigesti

paigaldatud.

Ettevaatusabinõud jahutuse ja õhukuivatuse funktsioonide kasutamiseks: jahutamise ja õhukuivatuse funktsioone kasutades hoidke iga TOITE vahel vähemalt 3-minutist intervalli.

- Toiteallikas vastab nõuetele.
- Pistikupesa on ette nähtud vahelduvvoolu kasutamiseks.
- Ärge kasutage ühte pistikupesa mitme seadme jaoks.
- Elektritoiteallikas on AC 220–240 V, 50 Hz.

1. Lülitage seade sisse

a) Ühendage seade vooluvõrku, siis seade piiksub üks kord, Toiteindikaatori tuli põleb.

b) Vajutage nuppu „“, seejärel on seade sisse lülitatud..

c) LED kuvab toatemperatuuri ja automaatsel režiimil.

2. Jahutusrežiim

– Vajutage nuppu „Mode“ (Režiim), kuni ilmub ikoon „Cool“ (Jahutus).

– Soovitud toatemperatuuri valimiseks

vajutage nuppe „+“ või „-“.

(15°C–31°C)

– Õhuvoo kiiruse valimiseks vajutage nuppu „Fan Speed“ (Ventilaatori kiirus).

3. Õhukuivatamine. Vajutage nuppu

„Mode“ (Režiim), kuni ilmub ikoon „Dehumidify“ (Õhukuivatus). -Seadke valitud temperatuur automaatselt praegusele toatemperatuurile miinus 2 °C .

– Seadke ventilaatori mootor automaatselt kiirusele „LOW“ (Madal).

4. Ventilaatorirežiim

– Vajutage nuppu „Mode“ (Režiim), kuni ilmub ikoon „Fan“ (Ventilaator).

– Õhuvoo kiiruse valimiseks vajutage nuppu „Fan Speed“ (Ventilaatori kiirus).

5. Kütmine (see funktsioon ei ole saadaval ainult jahutamiseks mõeldud seadme puhul) -Vajutage nuppu „Mode“ (Režiim), kuni ilmub ikoon „Kuumus“.

– Soovitud toatemperatuuri valimiseks

vajutage nuppe „+“ või „-“.

(15 °C–31 °C)

– Õhuvoo kiiruse valimiseks vajutage nuppu „Fan Speed“ (Ventilaatori kiirus).

LÝSING Á AÐGERÐARHÖMUM OG UPPSETNINGU

6. 🕒 Taimeritöö

a) Vajutage nuppu „Taimer“, et määrata automaatne väljalülitusaeg, kui seade töötab.

b) Vajutage nuppu „Taimer“, et määrata automaatne väljalülitusaeg, kui seade on valmis.

c) Aega saab reguleerida vahemikus 1 tund kuni 24 tundi. Vajutage nuppu temp üles „+“ või temp alla „-“, et suurendada või vähendada aega 1 tund, vajutades üks kord.

7. 🔄 Toiming

a) Toiming kehtib siis, kui seade on ❄️ režiimis.

b) Vajutage 🔄 nuppu režiimis, siis seade töötab unerežiimis ja temperatuuri tõstev tsentrifugaalventilaator langetab automaatselt kiirust. Seatud temperatuur tõuseb 1 °C peale ühe tunni ja 2 °C peale kahe tunni möödumist. Kuue tunni pärast lõpetab seade töötamise.

8. 🔄 Toiming

a) kui pöördfunktsiooni nupp on aktiveeritud, pöörleb ketasnuga automaatselt üles ja alla. Kui soovite lõpetada, vajutage uuesti nuppu.

Hooldus

Puhastage seadet pehme niiske lapiga. Ärge kasutage lahusteid ega tugevaid puhastusvahendeid, sest need võivad kahjustada seadme pinda.

Remont

Kui õhukonditsioneer on vaja remontida, pöörduge esmalt kohaliku jaemüüja poole. Garantii kehtib vaid ostu tõendavate dokumentide esitamisel.

Hoiustamisjuhised

Hoiustamine hooaja lõpus

1) Keerake äravoolutoru kate ära ja

tõmmake veekork välja, et kondensaatvesi täielikult ära voolaks.

2) Laske seadmel töötada ventilaatorirežiimis pool päeva, et see seestpoolt täielikult ära kuivaks, mis ennetab hallituse teket.

Lülitage seade välja, tõmmake pistik välja, seejärel keerake juhe ümber juhtmehoidiku, sisestage pistik universaalsesse kinnitusavasse seadme tagaküljel, paigaldage veekork ja äravoolutoru kate.

3) Eemaldage sooja õhu väljatõmbetoru sõlm, puhastage see ja pange see korralikult hoiule.

Märkused.

Hoidke väljatõmbetorusõlme eemaldamisel mõlema käega. Suruge väljatõmbeava külgedel olevad kinnitusdetailid põialde abil kõrvale, seejärel tõmmake väljatõmbetorusõlm välja.

4) Pakkige õhukonditsioneer korralikult pehmesse kilekotti ja asetage see kuiva kohta, võttes tarvitusele sobivad tolmuvastased meetmed ja hoidke seadet lastele kättesaamatus kohas.

5) Võtke patareid kaugjuhtimispuldist välja ja hoidke seda korralikult.

Märkus:

Veenduge, et seadet ladustatakse kuivas ruumis.

Kõik seadme lisaseadmed peavad olema nõuetekohaselt kaitstud.

Toitejuhtme hoidik ja universaalne pistikupes kaitsevad toitejuhet hästi.

Õhu väljatõmbeava kõrge asend, lihtne kokkupanek ja kiire ventileerimine.

Intelligentne, keskkonna- ja energiasäästlik iseaerustuva jahutussüsteemiga.

24-tunnine taimerifunktsioon, unikaalne sisse/välja lülitamise heli, mis meenutab muusikat.

3-minutiline viivitus taaskäivitumisel kompressori kaitseks ja paljud muud kaitsefunktsioonid.

WiFi-funktsioon

1. Laadige alla ja installige rakendus

Laadige alla Woods Connecti rakendus App Store'ist või Google Playst.

1. Registreerumine / Sisselogimine / Unustasin parooli

Registreerumine

Kui teil pole rakenduse kontot, registreerige konto või logige sisse SMSi teel saadava kinnituskoodiga. See leht kirjeldab registreerimisprotsessi.

1. Koputage, et siseneda registreerimislehele.
2. Süsteem tunneb automaatselt ära teie riigi/piirkonna. Saate valida ka oma riigi koodi. Sisestage mobiiltelefoni number / e-posti aadress ja puudutage valikut „Next“ („Edasi“).
3. Kui sisestate mobiiltelefoni numbri, sisestage järgmiseks sõnumisse kinnituskood ja seejärel parool; registreerimise lõpetamiseks koputage „Confirm“ („Kinnita“).
4. Kui sisestate e-posti aadressi, sisestage järgmiseks parool ja registreerimise lõpetamiseks koputage „Confirm“ („Kinnita“).

2. Logige sisse kasutajanime ja parooli või kinnituskoodiga SMSi kaudu.

Logige sisse kasutajanime ja parooliga.

1. Süsteem tunneb automaatselt ära teie riigi/piirkonna. Saate valida ka oma riigi koodi. Sisestage mobiiltelefoni number / e-posti aadress ja puudutage valikut „Next“ („Edasi“).
2. Sisselogimiseks sisestage oma registreeritud mobiiltelefoni number või e-posti aadress ja parool.

Logige sisse kinnituskoodiga.

1. Koputage „Sign in with SMS verification“ („Logi sisse SMS-kinnitusega“) uuele lehele.

2. Süsteem tunneb automaatselt ära teie riigi/piirkonna. Saate ka ise oma riigi koodi valida.

Unustasin parooli

Kui unustasite oma parooli, järgige alltoodud protseduure.

1. Koputage „Forgot password“ („Unustasin parooli“).
2. Süsteem tunneb automaatselt ära teie riigi/piirkonna. Saate ka ise oma riigi koodi valida. Sisestage mobiiltelefoni number / e-posti aadress ja koputage valikul „Next“ („Edasi“).
3. Sisestage sõnumis/e-kirjas olnud kinnituskood ja sisestage uus parool, koputage „Confirm“ („Kinnita“).

WiFi Woods Connect toetab järgmisi funktsioone:

Toide sisse/Toide välja

Jahutusrežiim

Kuivatusrežiim

Ventilaatori režiim

Ökorežiim

Temperatuuriseaded

Kiirus: madal, keskmine ja kõrge

Taimer: 1–24 h

Unerežiim: Sees/Väljas

Automaatpuhastus: Sees/Väljas

Celsius/Fahrenheit

Pöördfunktsioon: Sees/Väljas

3. Järgige rakenduses toodud protseduure, et nautida WiFi ühendust.

Smart Home

Kui teil on Smart Home (Nutikodu) toode, tehke läbi sammud 1 kuni 3.

Juurdepääsuteenused kolmandatele isikutele: koputage kolmanda osapoole häälteenuse ikooni, et näha, kuidas teenusega ühendust luua. Leiate sellise ikooni

Smart Home Wood's Connect toetab häälkäsklustega järgmisi funktsioone:

Toide sisse/Toide välja
Temperatuuriseaded
Režiimid
Fan režiimid

Lisateavet leiate aadressilt:

<https://woods.se/en/>

PROBLEEM	PÕHJUS	LAHENDUS
Seade ei käivitu, kui vajutate ON/OFF („sees/väljas“) nuppu.	Pole vooluvõrku ühendatud / pistik või pesa on kahjustatud.	Ühendage vooluvõrku või asendage toide või pistikupes.
	Kaitse katki	Vahetage kaitse (3,15 A/250 AC)
	Toatemperatuur on madalam kui seadistatud temperatuur. (Jahutusrežiim)	Lähtestage temperatuur.
Pole piisavalt jahe.	Uksed või aknad pole suletud.	Veenduge, et kõik aknad ja uksed on suletud.
	Ruumis on soojusallikad.	Võimalusel eemaldage soojusallikad.
	Väljatõmbetoru pole ühendatud või on blokeeritud.	Ühendage või puhastage väljatõmbetoru.
	Temperatuuri seadistus on liiga kõrge.	Lähtestage temperatuur.
	Õhu sissepuhkeava on ummistunud.	Puhastage õhu sissepuhe.
Vali müratase.	Pind ei ole horisontaalne või pole piisavalt sile.	Asetage seade võimaluse korral siledale, horisontaalsele pinnale.
	Heli tekib jahutusaine voolamisest konditsioneeris.	See on normaalne.

Kui teil tekib õhukonditsioneer kasutamisel probleeme, lugege järgmist veaotsingu peatükki. Kui ükski allpool toodud juhistest ei tööta, pöörduge toote parandamiseks jaemüüja poole.

VEAKOODID	PÕHJUS	LAHENDUS
Kood E2	Toatemperatuuri andur on rikkis või kahjustatud.	Asendage Toatemperatuuri andur
Kood E3	Aurusti temperatuurianduri rike.	Asendage aurusti temperatuuriandur.
Kood E4	Veepaagi kork	Tühjendage veepaak.

Garantiid

2-aastane tarbijagarantii tootmisvigade korral. Pange tähele, et garantii kehtib ainult kviitungi esitamisel. Garantii kehtib ainult juhul, kui toodet kasutatakse käesolevas juhendis esitatud juhiste ja turvahoiatuste kohaselt. Garantii ei kata kahjustusi, mis on põhjustatud toote väärast käitlemisest.

TÄHELEPANU! 2-aastane garantii kehtib ainult tarbijate puhul, mitte seadme kaubanduslikul eesmärgil kasutamise korral.



TÄHELEPANU!

Registreeruge aadressil www.warranty-woods.com ja lugege, kuidas saada pikendatud garantiid. Rohkem teavet leiате kodulehelt aadressil www.woods.se.

Soovituslikud kasutustingimused

Parim ümbritseva õhu temperatuur jahutamiseks on 17–35 °C ja parim ümbritseva õhu temperatuur soojendamiseks on 8–25 °C. Seade töötab temperatuuril kuni +43 °C. Kaitsme parameeter: ϕ 5,0 x 20 mm 3,15 A, 250

TEHNILISED ANDMED	AC Milan 7K WIFI	AC Milan 9K WIFI	AC Como 12K WIFI
Jahutusvõimsus	2000 W	2600 W	3500 W
Energiaarve	750 W	950 W	1250 W
Õhuvool:	350 m ³ /h	350 m ³ /h	380 m ³ /h
Energiaklass	A	A	A
Õhu kuivatamine	19 l/24h	24 l / 24 h	28,8 l/24h
Temperatuuriseaded	15–31 °C	15–31 °C	15–31 °C
Töötemperatuur	16–43 °C	16–43 °C	16–43 °C
Energiaõhusustegur (EER)	2,6	2,6	2,6
Äravooluvooliku pikkus	1,0 m	1,0 m	1,0 m
Vooliku läbimõõt	10 mm	10 mm	10 mm
Külmutusagensi gaas	R290/100 g	R290/160 g	R290/220 g
Müratase detsibellides	61dB	61dB	52 dB
Mass	22 kg	24 kg	25 kg
Mõõtmed (mm), P x L x K	355x350x700	355x350x700	355x350x700

* Tootja võib teha tehnilisi muudatusi ja täiustusi. Kõik väärtused on ligikaudsed ning võivad varieeruda olenevalt välistest teguritest, nagu temperatuur, ventilatsioon ja niiskus.



*Þetta merki gefur til kynna að ekki skuli farga tækinu með öðru heimilissorpi innan ESB. Til að koma í veg fyrir mögulegt umhverfis- eða heilsutjón vegna rangrar förgunar skal koma tækinu í endurvinnslu þannig að förgun efna fari fram ábyrgan og sjálfbæran hátt. Þegar þú skilar tækinu skaltu nota skila- og söfnunarkerfi eða hafa samband við söluaðila tækisins. Þeir geta tekið á móti tækinu og komið því í endurvinnslu.



*Kasutatud patareisid ei tohi visata olmejäätmete hulka, sest need võivad sisaldada mürgiseid aineid ja raskemetalle, mis võivad olla kahjulikud keskkonnale ning inimeste tervisele. Tagastage tühjad patareid sobivasse ringlussevõtukohta.

Wood's is marketed and distributed by:

Woods Production Sweden AB.

Maskingatan 2-4

441 27, Alingsås

Sweden.

woods.se

info@woods.se

+46 317613610

Wood's[®]