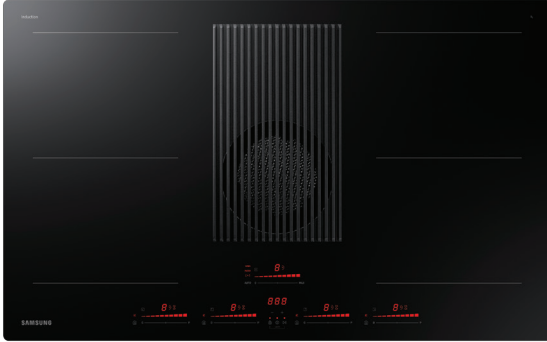


# Induction Hob

**SAMSUNG**

NZ84T9747VK/UR



## Frame Variants

NZ84T9747VK/UR Frameless, Flushed Fit

## KEY FEATURES

- Hood Integrated Induction - Install your cooktop anywhere and rapidly refresh the air
- Flushed Fit Design
- Dual Flex Zone - large and flexible zone for cooking multiple dishes
- Hood High Suction Power (620m<sup>2</sup>/h)
- Hood Energy Class A<sup>+</sup>
- Easy Clean Aluminum Grease Filter

## Dimensions

Dimension (W X D X H)	Outside (mm)	830 X 515 X 211
	Cutout (mm)	807 X 492 (Flushed) 834 X 519, R12)

## General Properties

Type	Recirculation
Frame	Frameless, Flushed Fit
Controls	Sliding & DirectAccess
LED Color	Red
Auto Connectivity (with Hood)	Yes

## Element Performance

Total Number of Cooktop Zones		4
Total Power		7.4kW
Flex Zone (Total)		2.1/3.7K(B) X 2
Left Zone	Flex Zone (Left Total)	2.1/3.7K(B)
	Front (110mm)	2.1/3.0K(B)
	Rear (110mm)	2.1/3.0K(B)
Right Zone	Flex Zone (Right Total)	2.1/3.7K(B)
	Front (110mm)	2.1/3.0K(B)
	Rear (110mm)	2.1/3.0K(B)

## Features

Residual Heat Indicator	1 Stage
Child Safety Lock	YES
Power Level Setting	9 + Booster
Timer	0 to 1.59hrs
Pause	YES
Keep Warm	YES
Quick Start	YES

## Additional Features

Auto Pan Detection	YES
Small Utensil Detection	YES
Safety Time Shut Off	YES
High Temp Limit	YES
Sound On/Off (Hidden)	No

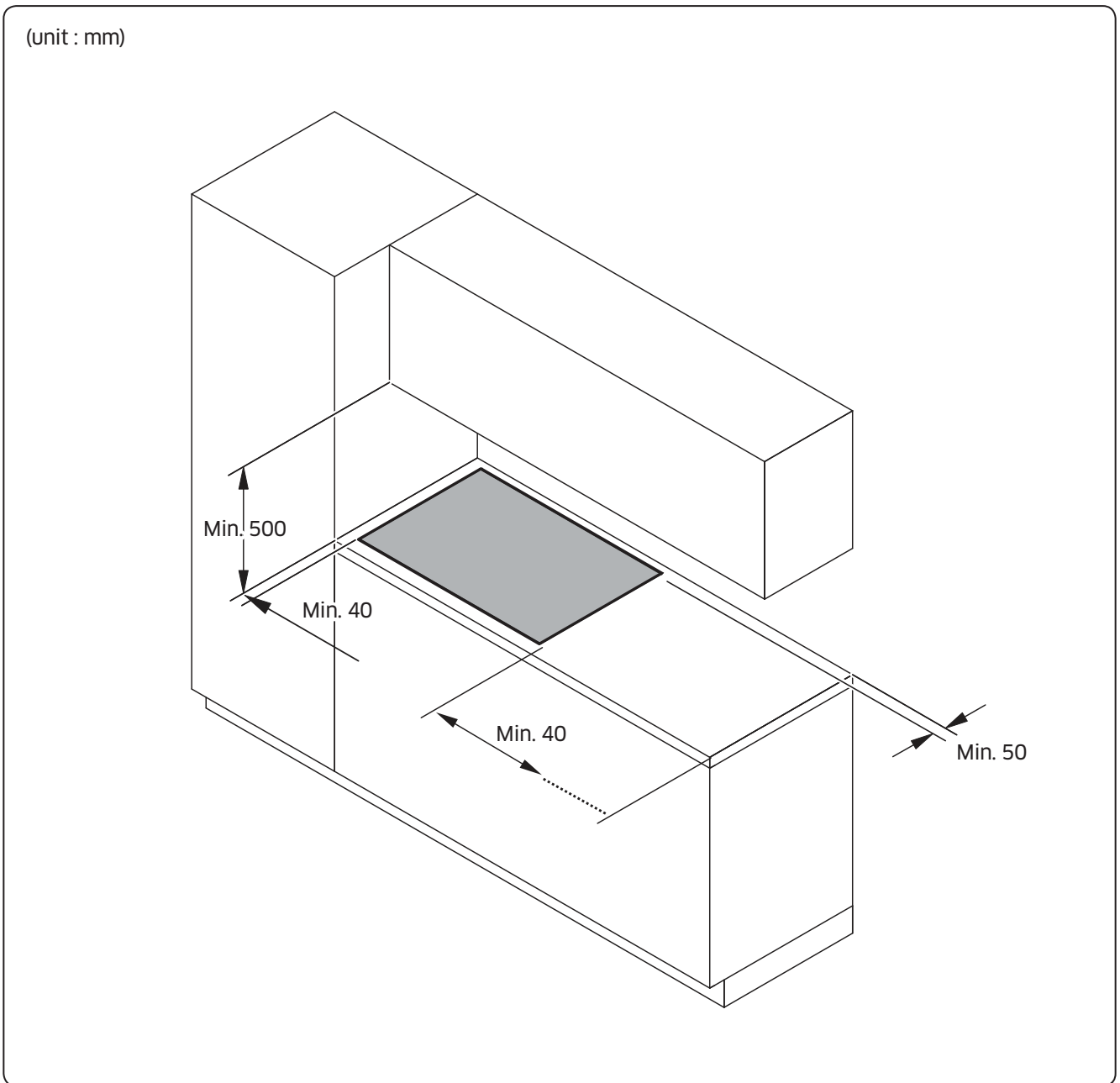
## Hood Performance

Speed Number	9 + 1
Energy Class	A <sup>+</sup>
Asp Rate (Boost)	645m <sup>3</sup> /h
Boost Speed Noise (dBA)	74
Max Speed Noise (dBA)	72
GFE Grease Filtering Efficiency (gf%)	C (82.52)
Cover for Charcoal Filters	Black
Grease Filtering Type	Aluminum
Grease Filter Maintenance	Washable in Dishwasher
Odour Filter Efficiency	No
Odour Filter	No

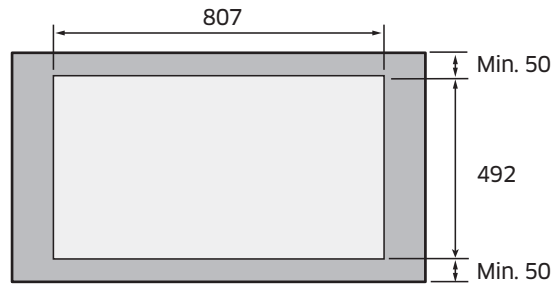
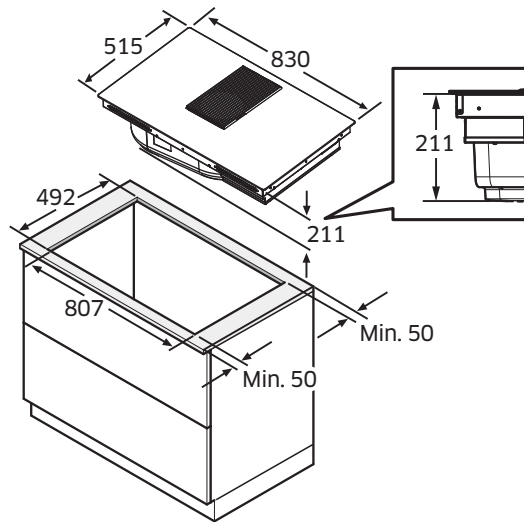
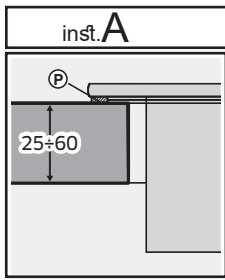
## Technical details

Energy Efficiency	Stand by Power consumption	Under 0.5W
	Network Stand by	Under 43dB
Power Cable	Power Cable Type	5 Wire
Power	Max. Power Limit	Yes (4,500W/MAX.)

## Installing into the countertop



(unit : mm)



(unit : mm)

