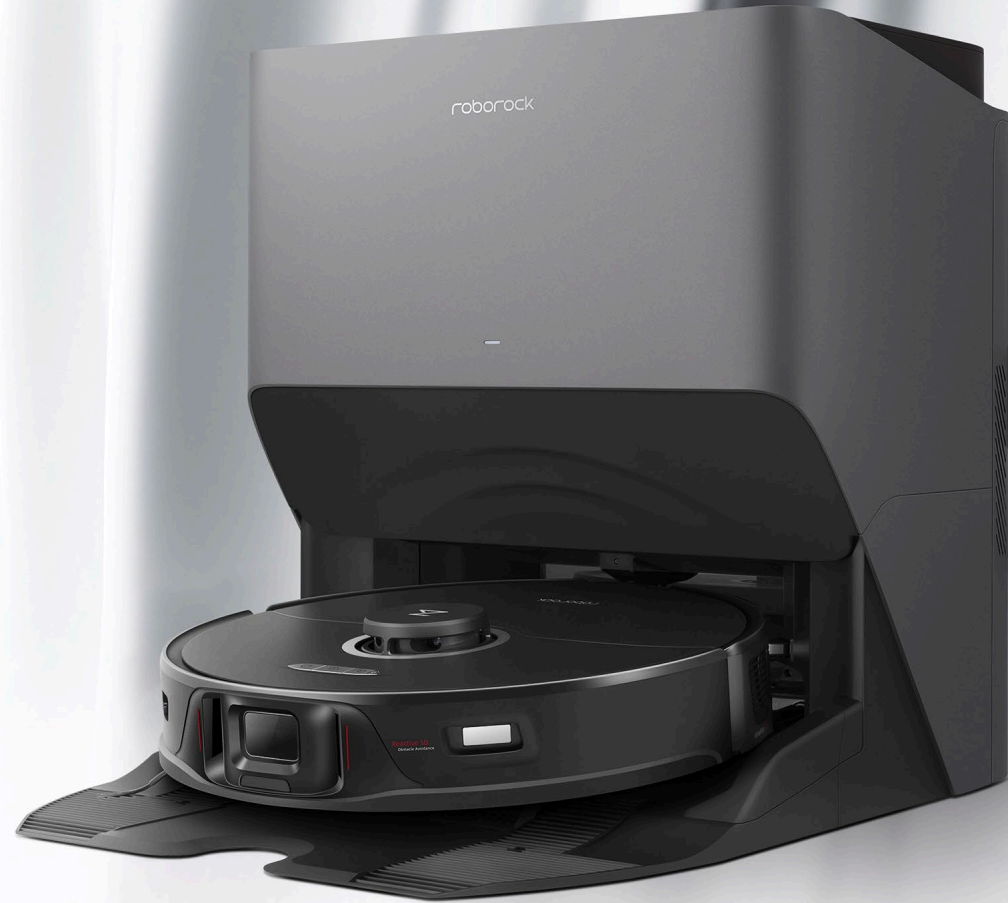


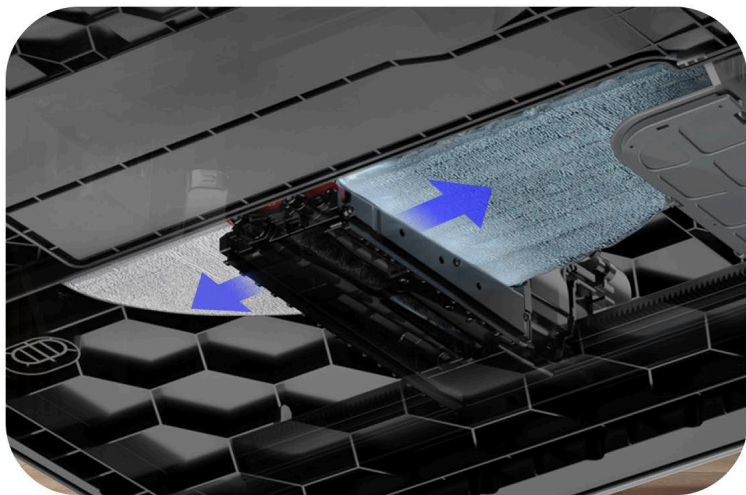
S8 Pro Ultra

Forget about cleaning, Really



Self-Washing

Washes robot mop automatically during cleanup and when finished, so you don't have to wash manually after each use.



Self-Emptying

Auto empties dust and dirt after each cleanup, allowing for up to 7 weeks¹ without changing a dust bag. Dual brushes self-clean for easy maintenance.

¹Based on internal testing carried out by the manufacturer. Actual emptying interval will depend on use habits and environmental factors.



Self-Drying

Auto-dries the washed mop and bottom of the dock with hot air, preventing unpleasant odors.



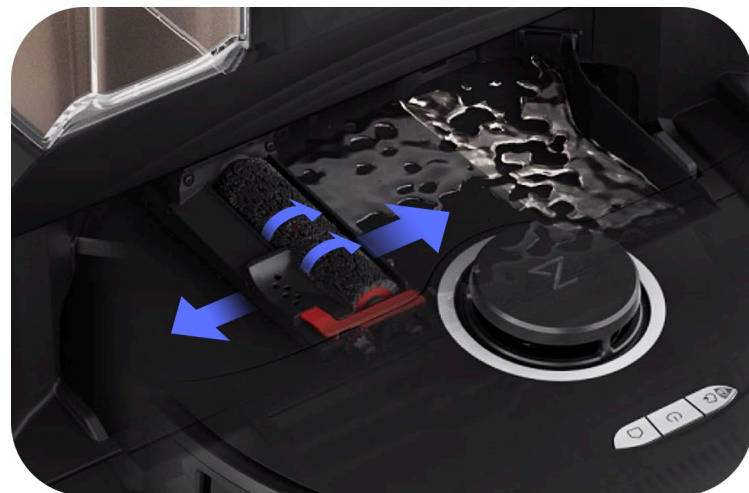
Self-Refilling

Refills the robot water tank during cleanup for a maximum mopping range of over 300sqm (3230sqft).



Dock Self-Cleaning

Free your time with the self-cleaning design that cleans the bottom of the dock for easier maintenance.





Fast Charging

Quickly resumes cleaning by charging 30% faster¹ than before. Off Peak Charging is supported to save on costs of using peak time electricity.

30% Faster¹

 Off Peak Charging

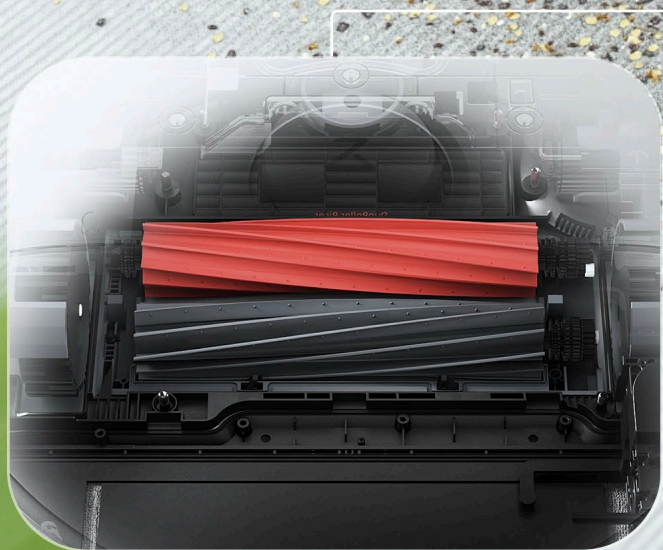
¹ Compared to Roborock S7. Based on internal testing carried out by the manufacturer. Actual results may vary according to the home environment.

DuoRoller Riser™ Brush

All-new dual rubber brushes DuoRoller enhance vacuuming by effectively removing dirt with fewer tangles¹ and a 30%² increase in pet hair removal.

¹Based on internal testing carried out by the manufacturer. Compared with Roborock S7.

²Based on internal testing carried out by the manufacturer. Compared with Roborock S7.



VibraRise® 2.0 Mopping System

VibraRise® 2.0 has improved vibration modules, with 3000 times/min¹ high-speed scrubbing, consistent pressure, and 5mm lifting the mop cleans smoothly.



2x

Vibration Modules



3000 times/min

High-speed Scrubbing



> 6N¹

Mop Pressure

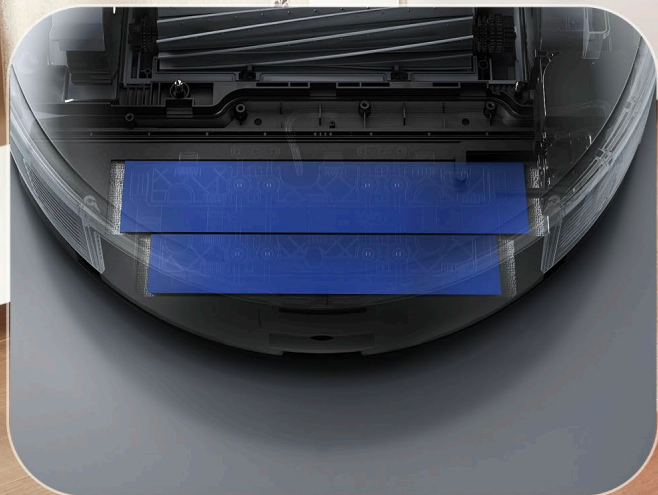


5mm²

Mop Lifting

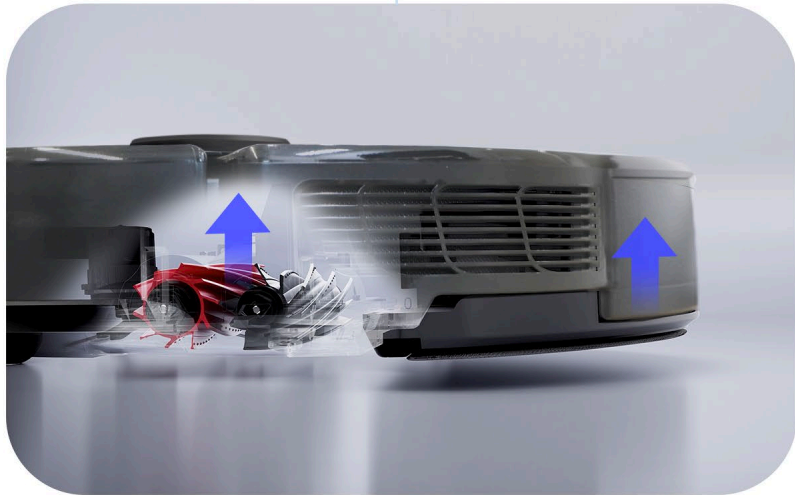
¹ Based on internal testing carried out by the manufacturer.

² Based on internal testing carried out by the manufacturer, the mop module can be lifted up to 5mm.



Liftable Brush and Mop

The brush and mop auto-lifts for effective cleaning and avoids leaving stains. Vacuuming and mopping can be separated in a single cleaning for more options.

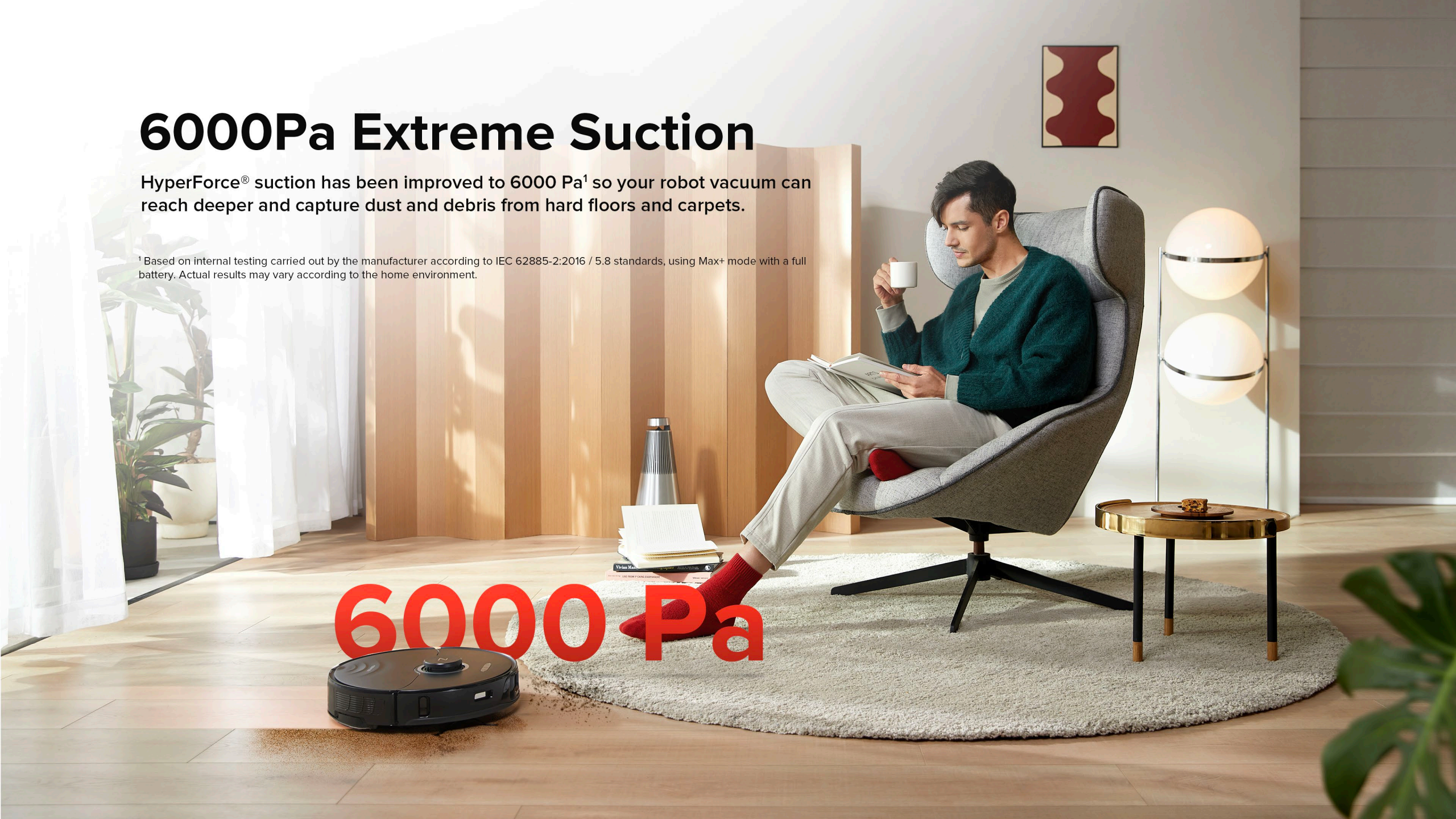


6000Pa Extreme Suction

HyperForce® suction has been improved to 6000 Pa¹ so your robot vacuum can reach deeper and capture dust and debris from hard floors and carpets.

¹ Based on internal testing carried out by the manufacturer according to IEC 62885-2:2016 / 5.8 standards, using Max+ mode with a full battery. Actual results may vary according to the home environment.

6000 Pa



Reactive 3D Obstacle Avoidance

With 3D structured light and infrared imaging, the robot vacuum identifies and avoids potential hazards for a worry-free cleaning experience.



PreciSense® LiDAR Navigation

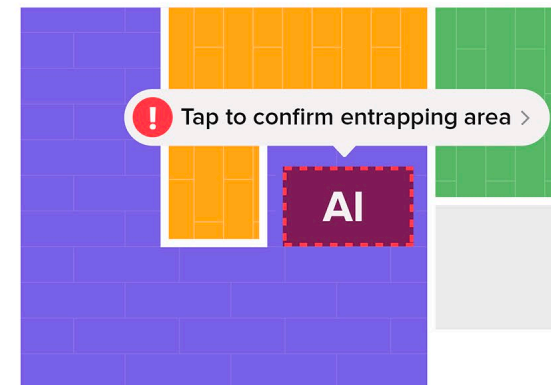
PreciSense® LiDAR Navigation system scans and creates detailed maps to find an optimal route to clean, leaving dirt with no escape.





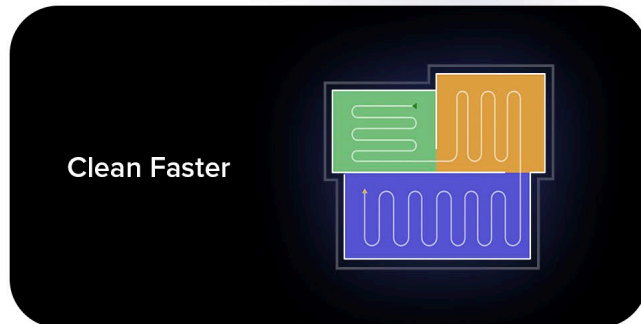
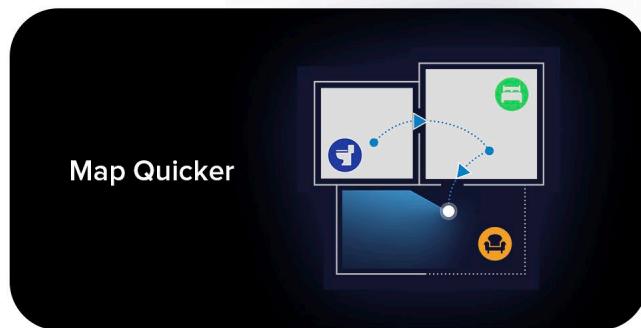
Smart Suggestions for No-Go-Zones

Auto detects easy-to-get-stuck places and suggests No-Go Zones. Draw Invisible Walls to block certain areas in the Roborock App.



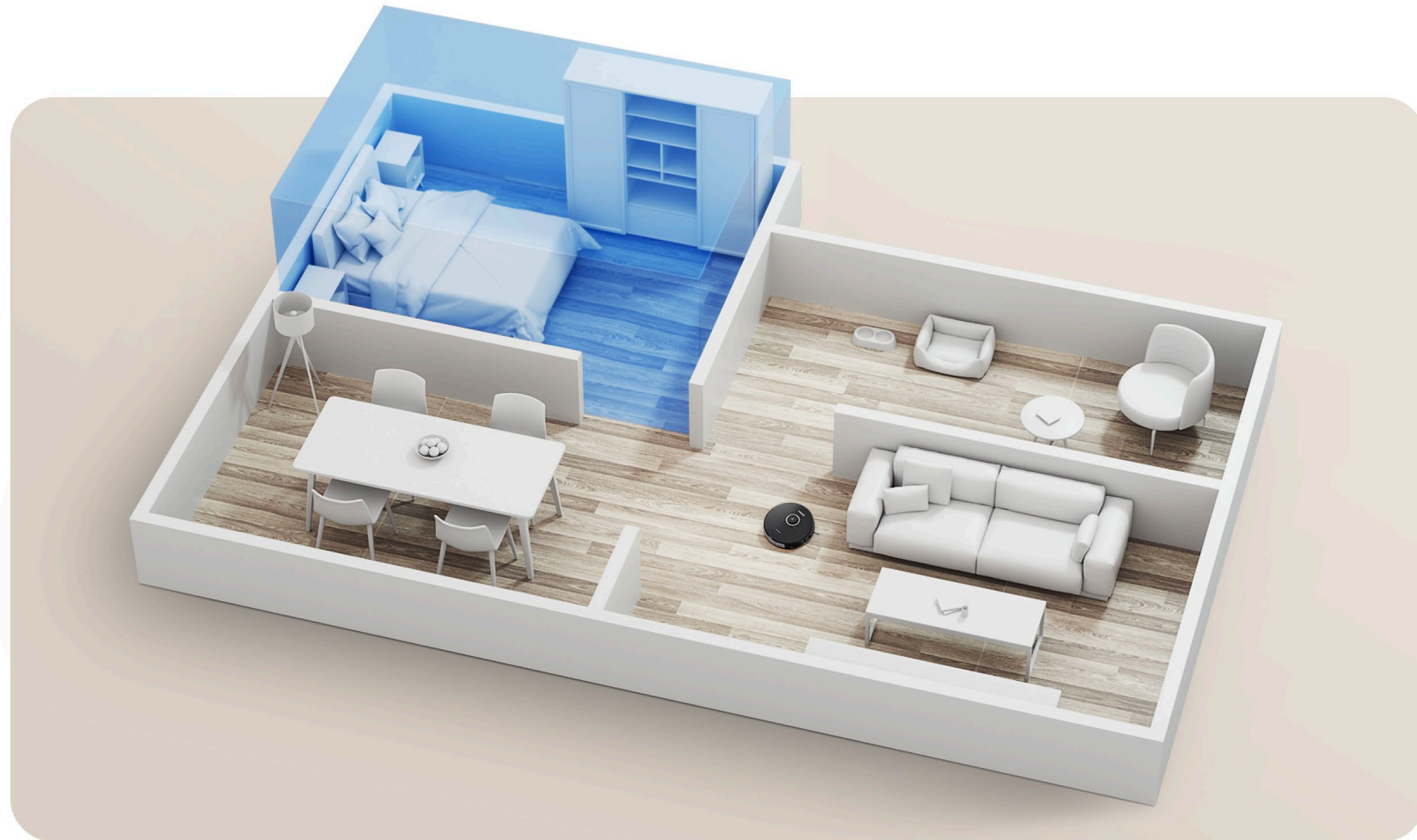
Map Quicker, Clean Faster

Your robot vacuum can create a map up to 6 times* faster before the first task for fast and effective cleaning and can clean your daily area faster.



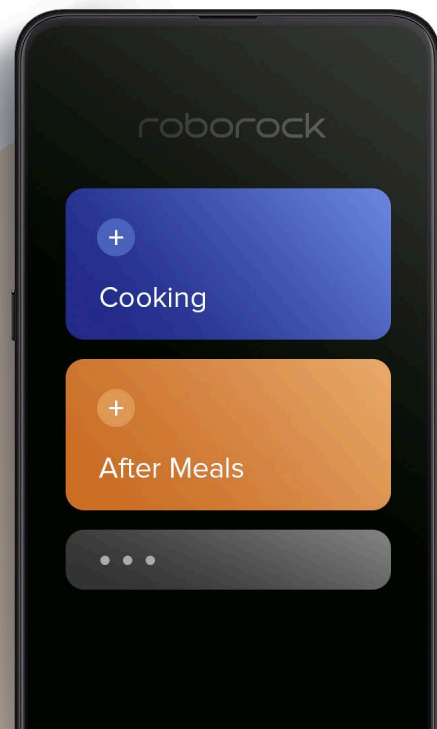
3D Mapping

3D Map allows you to accurately build your house and add furniture virtually to create a detailed map of your house, ensuring the best possible clean.



Custom Cleaning Routines

Decide when the robot vacuum cleans with custom cleaning schedules and set routines for particular areas in the house regularly or on demand.





Multi-level Mapping System

Multi-level mapping automatically recognizes distinct levels of your home. All you have to do is put the robot down. Up to four floors supported.

