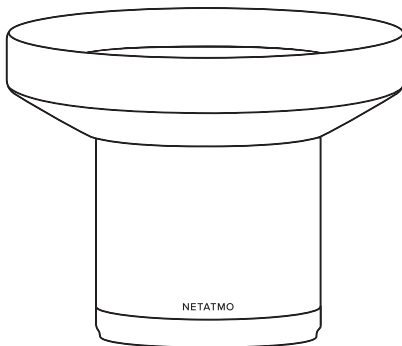


NETATMO

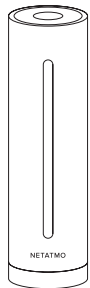
rain gauge

Welcome / Bienvenido / Bienvenue / Willkommen

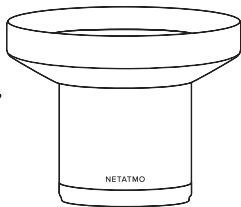
Benvenuto / Welkom / 欢迎 / 歡迎 / 歡迎



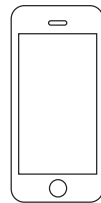
1



← →
<10 cm / < 4 in

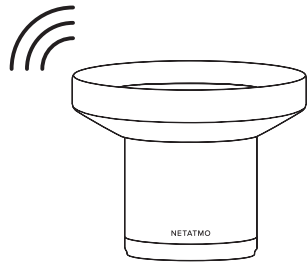
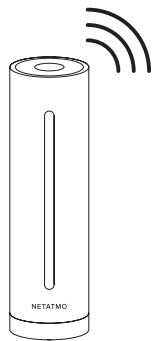


2

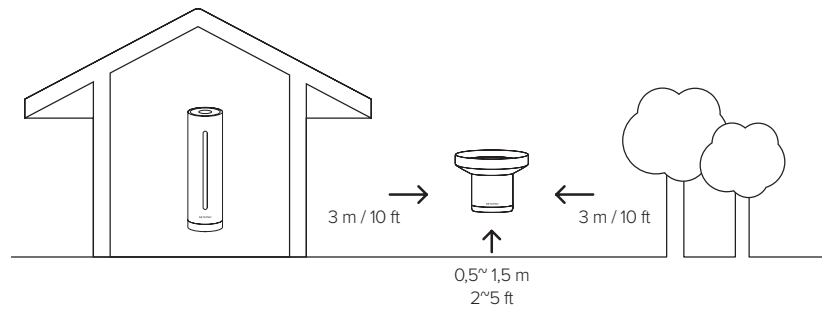


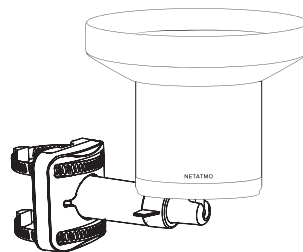
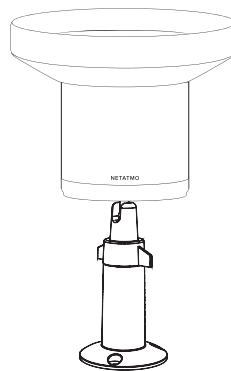
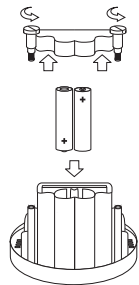
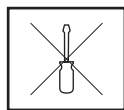
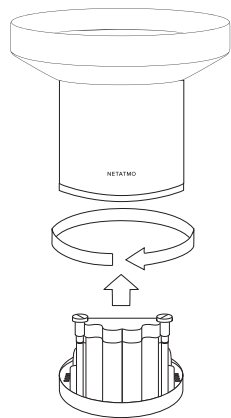
<http://add.netatmo.com>

3



4





Sold separately / Vendu séparément / Separat erhältlich / Vendido por separado /
Venduto separatamente / Afzonderlijk verkocht / 单独出售 / 單獨出售 / 別売

<http://netatmo.com/mount>

EU Declaration of Conformity

Hereby, Netatmo declares that this NRG02 is in compliance with the essential requirements and other relevant provisions of Directive 2014/53/EU and ROHS 2011/65/EC.

Česky [Czech] - Netatmo tímto prohlašuje, že tento NRG02 je ve shodě se základními požadavky a dalšími příslušnými ustanoveními směrnice 2014/53/EU a ROHS 2011/65/ES. Originální EU prohlášení o shodě lze nalézt na <http://www.netatmo.com/declaration/nrg>.

Dansk [Danish] - Undertegnede Netatmo erklærer herved, at følgende udstyr NRG02 overholder de væsentlige krav og øvrige relevante krav i direktiv 2014/53/EU og ROHS 2011/65/EF. Den oprindelige EU-overensstemmelseserklæringen kan findes på <http://www.netatmo.com/declaration/nrg>.

Deutsch [German] - Hiermit erkläre Netatmo, dass sich das Gerät NRG02 in Übereinstimmung mit den grundlegenden Anforderungen und den übrigen einschlägigen Bestimmungen der Richtlinie 2014/53/EU und ROHS 2011/65/EG befindet. Die Original-EU-Konformitätserklärung finden Sie unter <http://www.netatmo.com/declaration/nrg>.

Eesti [Estonian] - Käesolevaga kinnitab Netatmo seadme NRG02 vastavust direktiivi 2014/53/EU ja ROHS 2011/65/EÜ põhinõuetele ja nimetatud direktiivist tulenevatele teistele asjakohastele sätetele. Vastavusdeklaratsiooni tervikteksti saab veebilehelt <http://www.netatmo.com/declaration/nrg>.

English - Hereby, Netatmo declares that this NRG02 is in compliance with the essential requirements and other relevant provisions of Directive 2014/53/EU and ROHS 2011/65/EC. The original EU declaration of conformity may be found at <http://www.netatmo.com/declaration/nrg>.

Español [Spanish] - Por medio de la presente Netatmo declara que el NRG02 cumple con los requisitos esenciales y cualesquiera otras disposiciones aplicables o exigibles de la Directiva 2014/53/EU y ROHS 2011/65/CE. El original de la declaración de conformidad UE se puede encontrar en <http://www.netatmo.com/declaration/nrg>.

Ελληνική [Greek] - Με την παρούσα Netatmo δηλώνει ότι NRG02 συμμορφώνεται προς τις ορισθείσες απαιτήσεις και τις λοιπές σχετικές διατάξεις της οδηγίας 2014/53/EU και ROHS 2011/65/EK.

Μπορείτε να βρείτε ένα αντίγραφο της πλήρους δήλωσης συμμόρφωσης στη διεύθυνση <http://www.netatmo.com/declaration/nrg>.

Français [French] - Par la présente Netatmo déclare que l'appareil NRG02 est conforme aux exigences essentielles et aux autres dispositions pertinentes de la directive 2014/53/EU et ROHS 2011/65/CE. La déclaration de conformité UE originale est disponible sur <http://www.netatmo.com/declaration/nrg>.

Hrvatski [Croatian] - Ovime, Netatmo izjavljuje da je ovaj NRG02 u skladu s osnovnim zahtjevima i drugim relevantnim odredbama Direktive 2014/53/EU i ROHS 2011/65/EC. Kopija pune Izjave o sukladnosti može se preuzeti na <http://www.netatmo.com/declaration/nrg>.

Italiano [Italian] - Con la presente Netatmo dichiara che questo NRG02 è conforme ai requisiti essenziali ed alle altre disposizioni pertinenti stabilite dalla direttiva 2014/53/EU e ROHS 2011/65/CE.

La dichiarazione di conformità UE originale si trova a <http://www.netatmo.com/declaration/nrg>.

Latviski [Latvian] - Ar šo Netatmo deklarē, ka NRG02 atbilst Direktīvas 2014/53/EU un ROHS 2011/65/EK būtiskajām prasībām un citiem ar to saistītajiem noteikumiem. Pilnas atbilstības deklarācijas kopiju var iegūt vietnē <http://www.netatmo.com/declaration/nrg>.

Lietuvių [Lithuanian] - Šiuo Netatmo deklaruoją, kad šis NRG02 atitinka esminius reikalavimus ir kitas 2014/53/EU ir ROHS 2011/65/EB Direktyvos nuostatas. Originali EU atitikties deklaracija yra <http://www.netatmo.com/declaration/nrg>.

Nederlands [Dutch] - Hierbij verklaart Netatmo dat het toestel NRG02 in overeenstemming is met de essentiële eisen en de andere relevante bepalingen van richtlijn 2014/53/EU en ROHS 2011/65/EG. De oorspronkelijke EU-verklaring van overeenstemming is te vinden op <http://www.netatmo.com/declaration/nrg>.

Malti [Maltese] - Hawnhekk, Netatmo, jiddikjara li dan NRG02 jikkonforma mal-htigijiet essenzjali u ma provvedimenti oħrajn rilevanti li hemm fid-Direttiva 2014/53/EU u ROHS 2011/65/EC.

Kopja tad-Dikjarazzjoni sħiha ta 'konformità tista' tinkiseb fuq <http://www.netatmo.com/declaration/nrg>.

Magyar [Hungarian] - Alulírott, Netatmo nyilatkozom, hogy a NRG02 megfelel a vonatkozó alapvető követelményeknek és az 2014/53/EU i ROHS 2011/65/EC irányelv egyéb előírásainak. Az eredeti EU megfeleléségi nyilatkozat megtalálható a <http://www.netatmo.com/declaration/nrg> oldalon.

Norsk [Norwegian] - Erklærer herved Netatmo at dette NRG02 er i samsvar med de grunnleggende krav og øvrige relevante krav i direktiv 2014/53/EU og ROHS 2011/65/EC. En kopi av den fullstendige samsvarserklæringen kan fås ved <http://www.netatmo.com/declaration/nrg>.

Polski [Polish] - Niniejszym Netatmo oświadczam, że NRG02 jest zgodny z zasadniczymi wymogami oraz pozostałymi stosownymi postanowieniami Dyrektywy 2014/53/EU i ROHS 2011/65/EC. Kopię pełnej deklaracji zgodności można pobrać pod adresem <http://www.netatmo.com/declaration/nrg>.

Svenska [Swedish] - Härmed intygar Netatmo att denna NRG02 står i överensstämmelse med de väsentliga egenskapskrav och övriga relevanta bestämmelser som framgår av direktiv 2014/53/EU och ROHS 2011/65/EG. En kopia av hela Konformitetsdeklarationen finns på <http://www.netatmo.com/declaration/nrg>.

Português [Portuguese] - Netatmo declara que este NRG02 está conforme com os requisitos essenciais e outras disposições da Directiva 2014/53/EU e ROHS 2011/65/CE. Uma cópia completa da declaração de conformidade pode ser obtida em <http://www.netatmo.com/declaration/nrg>.

Română [Romanian] - Astfel, Netatmo declară că acest NRG02 este în conformitate cu cerințele esențiale și alte prevederi relevante ale Directivei 2014/53/EU și ROHS anului 2011/65/CE. O copie a declarației de conformitate completă poate fi obținută la <http://www.netatmo.com/declaration/nrg>.

Slovensko [Slovenian] - Netatmo izjavlja, da je ta NRG02 v skladu z bistvenimi zahtevami in ostalimi relevantnimi določili direktive 2014/53/EU in ROHS 2011/65/ES. Kopijo celotne izjave o skladnosti najdete na spletni povezavi <http://www.netatmo.com/declaration/nrg>.

Slovensky [Slovak] - Netatmo týmto vyhlasuje, že NRG02 spĺňa základné požiadavky a všetky príslušné ustanovenia Smernice 2014/53/EU a ROHS

2011/65/ES. Úplné znenie Vyhlásenia o zhode nájdete na webovej stránke <http://www.netatmo.com/declaration/nrg>.

Suomi [Finnish] - Netatmo vakuuttaa täten että NRG02 tyyppinen laite on direktiivin 2014/53/EU ja ROHS 2011/65/EY oleellisten vaatimusten ja sitä koskevien direktiivin muiden ehtojen mukainen. Alkuperäinen EU-vaatimustenmukaisuusvakuutus on osoitteesta <http://www.netatmo.com/declaration/nrg>.

Türkçe [Turkish] - Netatmo, bu NRG02'in 2014/53/EU ve ROHS 2011/65/EC Yönetmeliğinin temel şartlarına ve diğer ilgili hükümlerine uygun olduğunu beyan eder. Tam uygunluk beyanının bir kopyası <http://www.netatmo.com/declaration/nrg> adresinden edinilebilir.

български [Bulgarian] - С настоящото Netatmo декларира, че това NRG02 е в съответствие със съществените изисквания и другите приложими разпоредби на Директива 2014/53/EU и ROHS 2011/65/EC. Копие от пълния декларацията за съответствие може да бъде получена на <http://www.netatmo.com/declaration/nrg>.

<http://www.netatmo.com/declaration/nrg>

Netatmo SAS
93, rue nationale – 92100 Boulogne-Billancourt

Boulogne-Billancourt, 01/06/2017
CEO
Frédéric POTTER



FCC Statement

This equipment has been tested and found to comply with the limits for a Class B digital device, pursuant to part 15 of the FCC rules. These limits are designed to provide reasonable protection against harmful interference in a residential installation.

This equipment generates, uses and can radiate radio frequency energy and, if not installed and used in accordance with the instructions, may cause harmful interference to radio communications. However, there is no guarantee that interference will not occur in a particular installation.

If this equipment does cause harmful interference to radio or television reception, which can be determined by turning the equipment off and on, the user is encouraged to try to correct the interference by one or more of the following measures:

- Reorient or relocate the receiving antenna.
- Increase the separation between the equipment and receiver.
- Connect the equipment into an outlet on a circuit different from that to which the receiver is connected.
- Consult the dealer or an experienced radio/TV technician for help.

Should you need further certification information (FCC ID, IC) please open the product from the bottom.

FCC Radiation Exposure Statement

This equipment complies with FCC RF radiation exposure limits set forth for an uncontrolled environment. This transmitter should be installed and operated with a minimum distance of 20 centimeters between the radiator and your body and must not be co-located or operating in conjunction with any other antenna or transmitter. This equipment complies with Part 15 of the FCC Rules. Operation is subject

to the following two conditions:

- (1) This device may not cause harmful interference, and
- (2) This device must accept any interference received, including interference that may cause undesired operation.

Caution!

Any changes or modifications to this unit not expressly approved by the party responsible for compliance could void the user's authority to operate the equipment.

Safety warnings

This device is not intended for use by persons (including children) with reduced physical, sensory or mental capabilities, or lack of experience and knowledge, unless they have been given supervision or instruction concerning use of the appliance by a person responsible for their safety. Children should be supervised to ensure that they do not play with the appliance.

Before inserting the batteries, check that the contacts in the device and on the batteries are clean, and clean them if necessary. Note the polarity (+/-) when inserting the batteries. Do not throw the batteries into a fire, short-circuit it or dismantle it. Keep children away from batteries. Seek medical attention immediately if a battery is swallowed.

Consignes de sécurité

Cet appareil n'est pas destiné à être utilisé par des personnes (notamment des enfants) dont les capacités physiques, sensorielles ou mentales sont réduites, ou qui n'ont pas d'expérience et de connaissances, à moins qu'elles ne soient surveillées ou instruites concernant l'utilisation de l'appareil par une personne responsable de leur sécurité.

Les enfants doivent être surveillés pour s'assurer qu'ils ne jouent pas avec l'appareil.

Avant d'insérer les piles, vérifiez que les contacts de l'appareil et des piles sont propres, et nettoyez-les si nécessaire. Respectez la polarité (+/-) lors de l'insertion des piles.

Ne pas jeter les piles dans un incendie, créer de court-circuit ou les démanteler. Gardez les enfants loin des piles. Consulter immédiatement un médecin si une pile est avalée.

Canadian Compliance Statement

This device complies with Industry Canada license-exempt RSS standard(s). Operation is subject to the following two conditions: (1) this device may not cause interference, and (2) this device must accept any interference, including interference that may cause undesired operation of the device.

Cet appareil est conforme aux normes CNR exemptes de licence d'Industrie Canada. Le fonctionnement est soumis aux deux conditions suivantes: (1) cet appareil ne doit pas provoquer d'interférences et (2) cet appareil doit accepter toute interférence, y compris celles susceptibles de provoquer un fonctionnement non souhaité de l'appareil.

This Class B digital apparatus complies with Canadian ICES-003.

Cet appareil numérique de la classe B est conforme à la norme NMB-003 du Canada.

This device and its antenna(s) must not be co-located or operating in conjunction with any other antenna or transmitter.

Cet appareil et son antenne (s) ne doit pas être co-localisés ou fonctionnant en conjonction avec une autre antenne ou transmetteur.

Limited warranty for purchases within Australia.

Our goods come with guarantees that cannot be excluded under the Australian Consumer Law. You are entitled to a replacement or refund for a major failure and compensation for any other reasonably foreseeable loss or damage. You are also entitled to have the goods repaired or replaced if the goods fail to be of acceptable quality and the failure does not amount to a major failure. The company giving the warranty (the warrantor) is Netatmo Limited., 18/F Wanchai Central Bldg., 89 Lockhart Rd, Wanchai, Hong Kong, contact-support@netatmo.com or contact your local reseller for assistance. The warranty applies for a period of 12 months from purchase from an authorised Netatmo reseller. Any faults or defects arisen from misuse or normal wear and tear are not covered by warranty. Any modifications to products will void the warranty. Items not covered by warranty are components that are expected to be replaced regularly, including without limitation: batteries and bracelets. The warrantor has the right to request the return of the product at your expense. The warranty does not cover any consequential loss or damage.

Copyright Netatmo (c) 2017. All rights reserved.
Reproduction and distribution prohibited without
written authorization from Netatmo.



Product Model: NRG02
FCC ID: N3A-NWS02RG
IC: 10860A-NWS02RG

NETATMO

① <http://support.netatmo.com>