

**Series 4, washing machine,
frontloader fullsize, 9 kg, 1400 rpm
WAN2829BSN**



Optional accessories

WMZ2200 : Floor securing component

WMZ2381 : Extension for cold water inlet /Aquastop

WMZPW20W : Platform with pull-out, washer, cubic

**Washing machine with Iron Assist to
reduce your ironing pile and with a long
lasting EcoSilence Drive motor.**

- **Iron Assist:** reduce wrinkles up to 50%
- **Iron Assist:** reduce wrinkles up to 50%
- .
- **Best energy class A:** save energy with the most efficient class A.
- **Active Water Plus:** For highly efficient use of water even with smaller loads thanks to automatic load detection.
- **Speed Perfect:** perfectly clean in up to 65% less time
- **Speed Perfect:** perfectly clean in up to 65% less time
- .
- **Reload function:** forgot an item? Add it easily to the wash.

Technical Data

Built-in / Free-standing: Free-standing

Door hinge: Left

Color / Material body: White

Length electrical supply cord: 210.0 cm

Height for building under: 850.00 mm

Height of the appliance: 845 mm

Dimensions of the product: 845 x 598 x 590 mm

Wheels: No

Net weight: 70.8 kg

Drum volume: 65 l

Connection Rating: 2300 W

Fuse protection: 10 A

Voltage: 220-240 V

Frequency: 50 Hz

Energy Star Qualified: No

Cord included: Yes

Plug type: Gardy plug w/ earthing

Length of supply hose (in): 59.05 "

Dimensions of the packed product: 34.25 x 25.19 x 27.24

Net weight: 156.000 lbs

Gross weight: 158.000 lbs

Length of drain hose: 150.00 cm

Length of supply hose: 150.00 cm

Dimensions of the packed product (HxWxD): 870 x 692 x 640 mm

Gross weight: 71.8 kg

Connection Rating: 2300 W

Fuse protection: 10 A

Voltage: 220-240 V

Frequency: 50 Hz

Water protection system: Multiple water protection

Number of Options: 7

Maximum spin speed: 1400 rpm

Spin speed options: Variable

Digital countdown indicator: Yes

Energy Efficiency Class (Regulation (EU) 2017/1369): A

Weighted energy consumption in kWh per 100 washing cycles of eco 40-60 programme: 49 kWh

Maximum capacity in kg: 9.0 kg

The water consumption of the eco programme in liters per cycle: 50 l

Duration of eco 40-60 programme in hours and mins at rated capacity: 3:48 h

Spin-drying efficiency class of eco 40-60 programme: B

Airborne acoustical noise emission class: A

Airborne acoustical noise emissions : 72 dB(A) re 1 pW



Series 4, washing machine, frontloader fullsize, 9 kg, 1400 rpm WAN2829BSN

Washing machine with Iron Assist to reduce your ironing pile and with a long lasting EcoSilence Drive motor.

Engine Power and Consumption

- Energy Efficiency Class¹: A
- Energy² / Water³: 49 kWh / 50 litres
- Load capacity: 9 kg
- Programme duration⁴: 3:48 h:min
- Spin drying efficiency class: B
- Spin power / spin speed^{**}: 0 - 1400 U/min
- Noise level: 72 dB (A) re 1 pW
- Noise efficiency class: A

Programmes

- standard programmes: cottons, easy care, delicate/silk, wool / hand wash
- Iron Assist: Steam programme that reduces wrinkles on dry clothes
- Special programmes: Drum Clean (with reminder), dark laundry, ironAssist, shirts/blouses, Hygiene, Spin / Drain, Family Mix, sportswear, single rinse, Quick 15'/30', delicate/silk, wool / hand wash

Options

- SpeedPerfect: perfectly clean in up to 65% less time. ***
- TouchControl buttons: end time delay, start/pause with reload function, Temperature, SpeedPerfect, Prewash, Spin speed selection, Water & Rinse Plus/Rinse hold

comfort and safety

- Reload function: Be flexible in adding laundry items even after start of the wash cycle.
- Large display for spin speed, remaining time, 24 h end time delay and load recommendation
- Usage meter: counts completed programmes
- Drum volume: 65 l
- Aqua Protection
- Fully electronic control dial for all wash- and special programs
- AntiVibration Design: more stability and quietness
- EcoSilence Drive: quiet motor with long lifetime
- 10 years guaranty on EcoSilence Drive
- ActiveWater Plus: for highly efficient use of water even with smaller loads thanks to automatic load detection.
- Foam detection system to remove excessive foam
- Unbalanced load detection
- buzzer at end of program
- Child-proof lock
- Divider for Liquid Detergent
- 32 cm porthole, black-blackgrey with 171° opening door
- Metal door closing hook
- comfort lock

Technical Information

- Slide-under height of 85cm
- Dimensions (H x W): 84.5 cm x 59.8 cm
- Appliance depth: 59.0 cm
- Appliance depth incl. door: 63.3 cm
- Appliance depth with open door: 106.3 cm

¹ Scale of Energy Efficiency Classes from A to G

² Energy consumption in kWh per 100 cycles (in programme Eco 40-60)

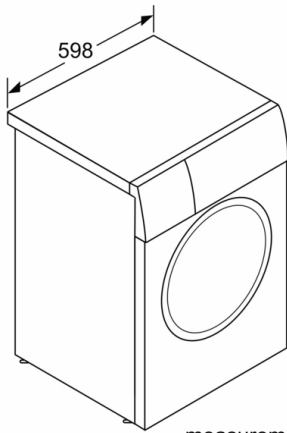
³ Weighted water consumption in litres per cycle (in programme Eco 40-60)

⁴ Duration of programme Eco 40-60

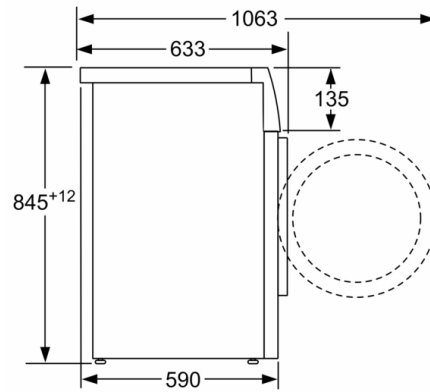
** Values are rounded.

*** Comparison between the program duration of Easy-care 40°C and the program duration of Easy-care 40°C + activated Speed option

Series 4, washing machine, frontloader
fullsize, 9 kg, 1400 rpm
WAN2829BSN



measurements in mm



measurements in mm