

ANETA LIGHTING

LIGHTS FOR HOME AND WORK SINCE 1947

NICE
69548

www.aneta.se
www.aneta.no

typ 69548-a

SE: Denna produkt innehåller två ljuskällor med, båda med energieffektivitetsklass E. LED-ljuskällorna är utbytbara som reservdel.

NO: Dette produktet inneholder to lyskilder, begge med energieffektivitetsklasse E. LED-lyskilderne kan skiftes som reservdel.

FI: Tämä tuote sisältää kaksi valonlähdetä, molempien energiatehokkuusluokka on E. LED valolähde vaihdetta vissa, löytyy varaosana.

EN: This product contains two light sources, both of energy efficiency class E. The LED light sources are replaceable as a spare part.

Light Source data:..... Upper lamp..... Reading lamp

Lighting technology used:	LED	LED
Mains or non-mains:	non-mains	non-mains
Directional or non-directional:	non-directional	non-directional
Connected L.S.:	no	no
Color-tuneable:	no	no
Envelope:	no	no
High luminance:	no	no
Anti-glare shield:	no	no
Dimmable:	no	no
Energy consumption in on-mode:	16 kWh / 1000 h	5 kWh/1000h
Energy efficiency class (A-G):	E	E
Useful luminous flux:	2000 lm *	600 lm *
CCT colour temperature:	3000 K	3000 K
On-mode power:	15.2 W	4.8W
Stand-by power:	N/A	N/A
Networked standby power:	N/A	N/A
CRI:	>80	>80
R9 color rendering index:	8	5
Chromaticity coordinates:	x:0.442, y:0.401	x:0.444, y:0.405
SDCM:	< 6	< 6
Lifetime L ₇₀ B ₅₀ :	50 000 hours	50 000 hours
Lumen maintenance factor:	0.96	0.96
Survival factor:	0.9	0.9
Power supply input:	24VDC	24VDC

* The luminous flux stated here is the value for the light source itself in accordance with Regulation (EU) 2019/2015. On the box the luminous flux for the lighting fitting is stated, where the light is partly absorbed by glass/glare shield/shade and parts of the fitting, why it is lower than for the light source.

SE: Kabeln kan ej bytas ut. Om kabeln på lampan blir skadad skall lampan förstöras och lämnas till återvinningsstation.

Rengöring: Torkas med torr trasa.

NO: Ledningen kan ikke skiftes. Hvis ledningen til lampen blir skadet må lampen ødelegges og leveres til gjenvinningsstasjon.

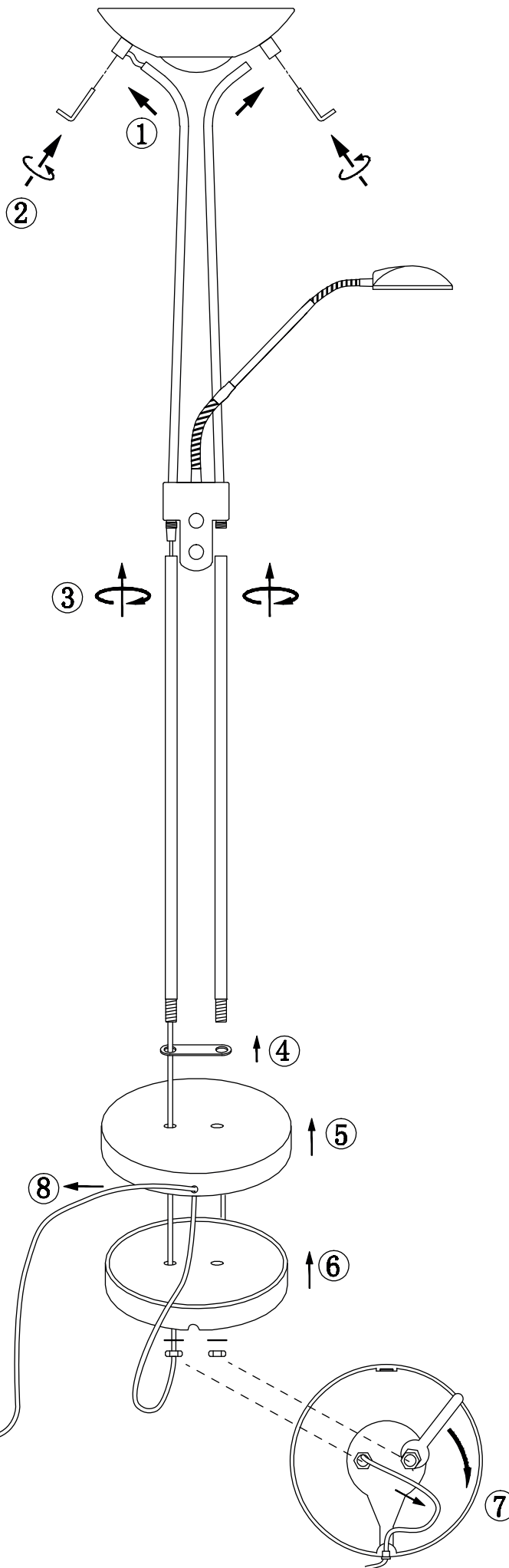
Rengjøring: Tørkes av med tørr klut.

FI: Johtoa ei voi vaihtaa. Jos johto on vahingoittunut tuhoa valaisin ja toimita valaisin kierrätyspisteeseen.

Siivous: Pyyhi kuivalla liinalla.

EN: The cable or cord of this luminaire cannot be replaced. If the cord is damaged the luminaire shall be left to recycling.

Cleaning: Wipe with a dry cloth.



220-240V
~50Hz

