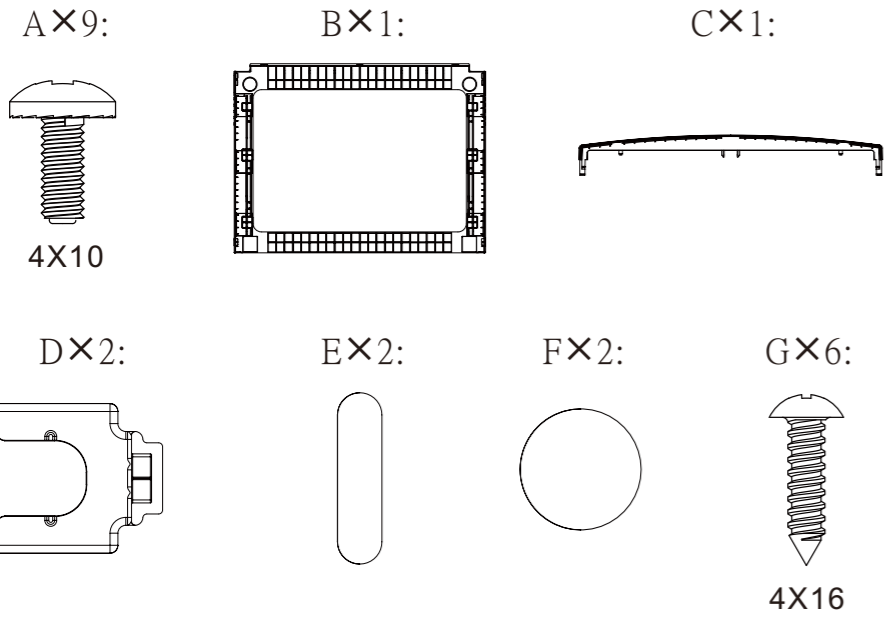
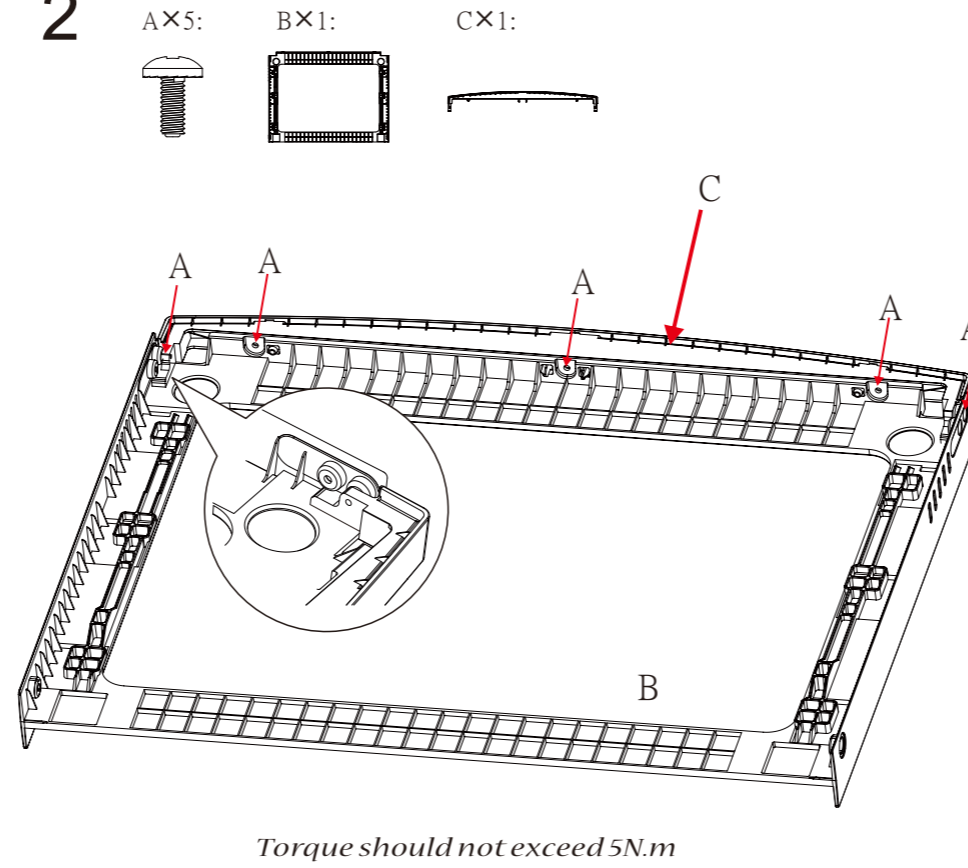


1

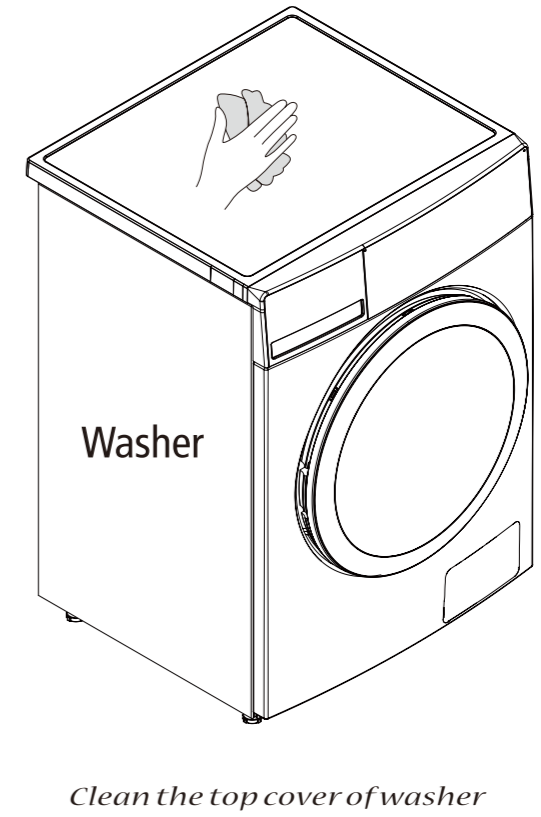


Make sure that the power supply is disconnected before installation !

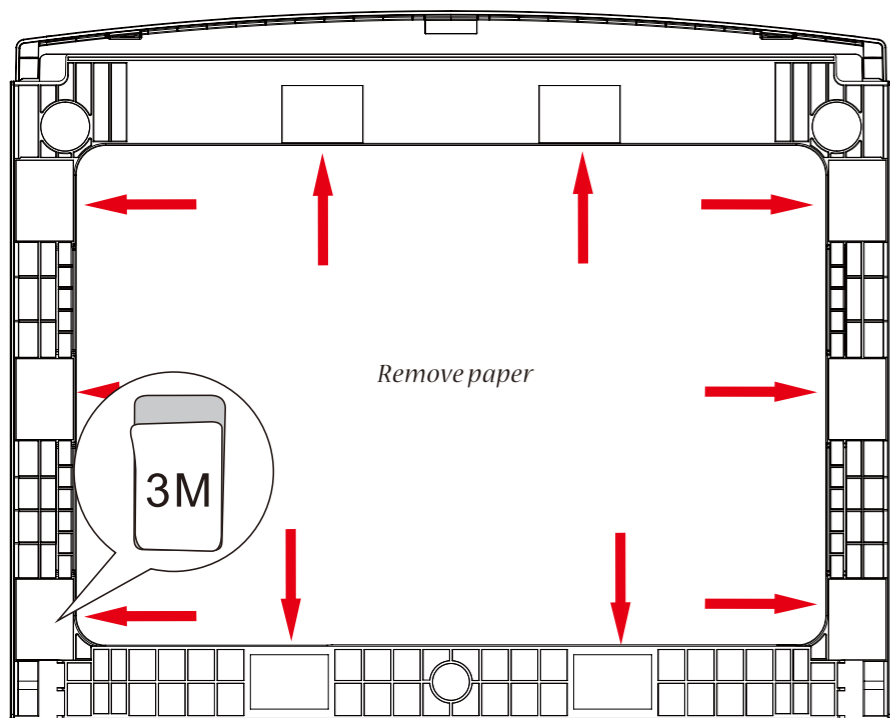
2



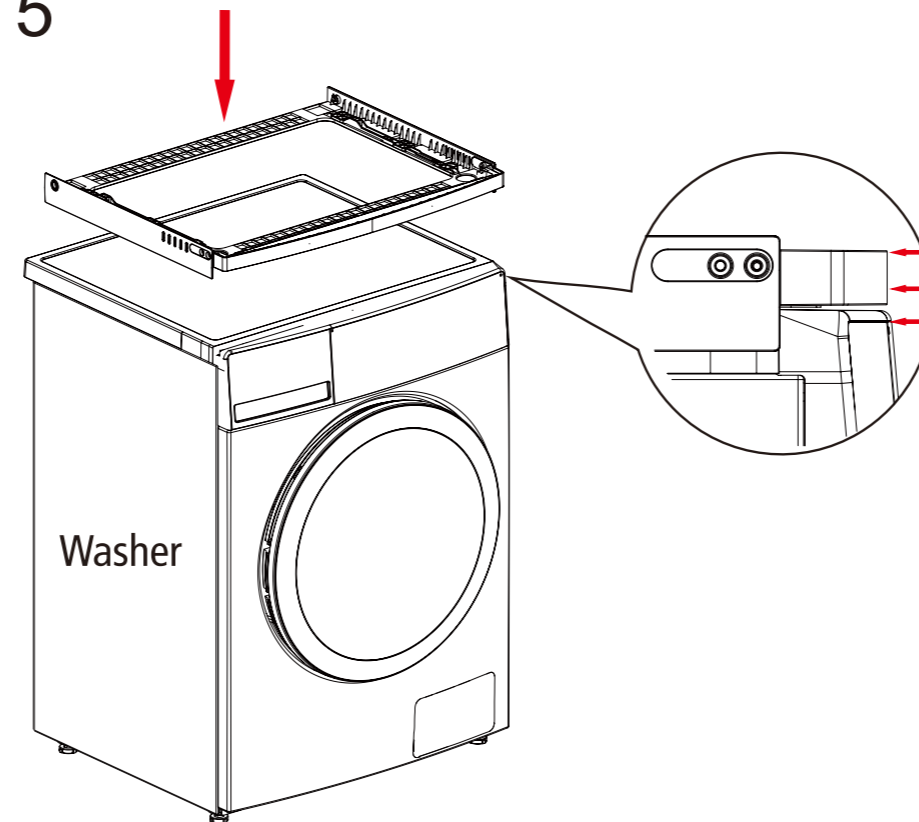
3



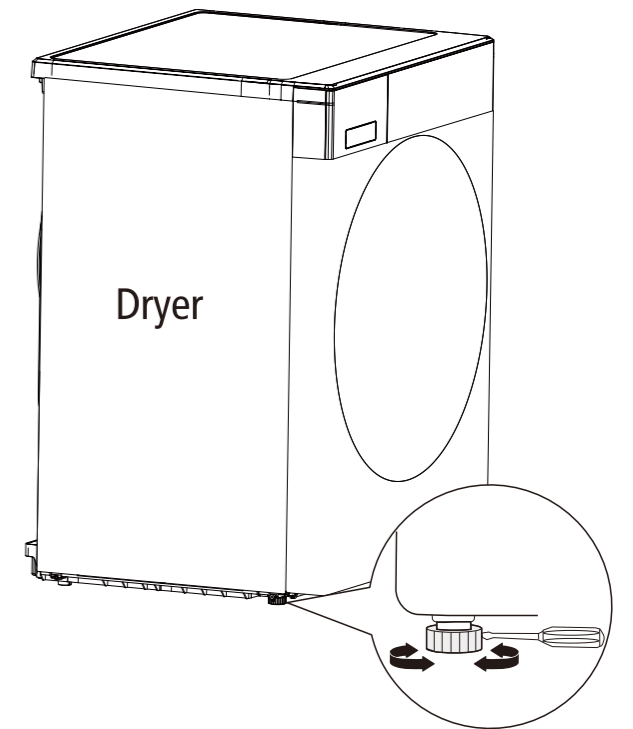
4



5

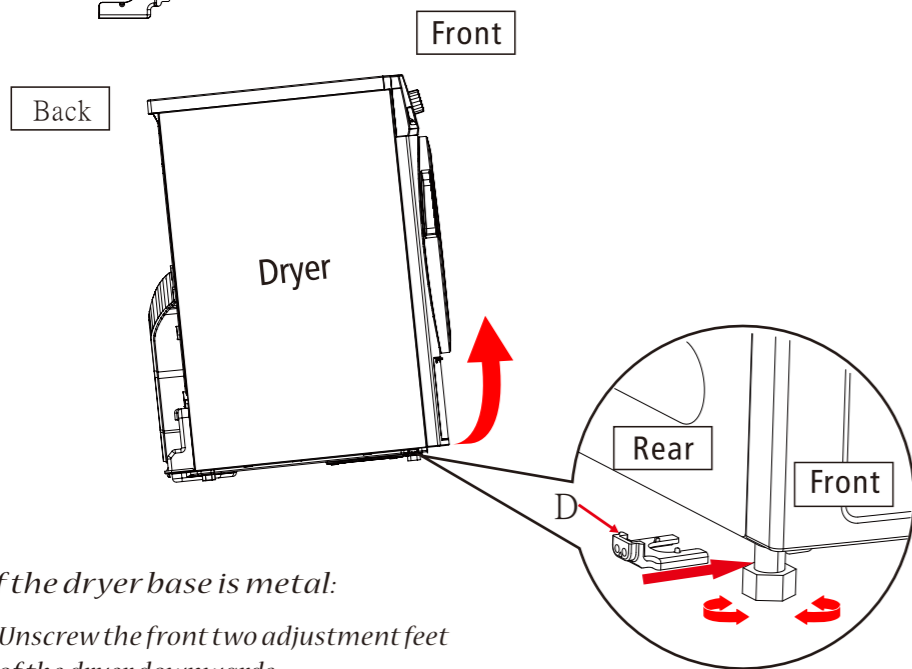


6



7

D×2:



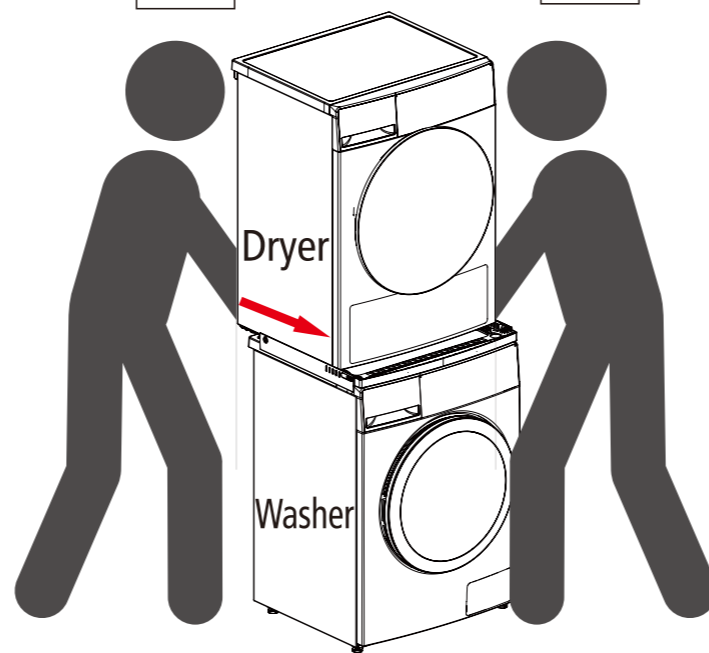
*If the dryer base is metal:*

1. Unscrew the front two adjustment feet of the dryer downwards
2. Insert two fixing parts D
3. Tighten the two adjustment feet upwards

8

Back

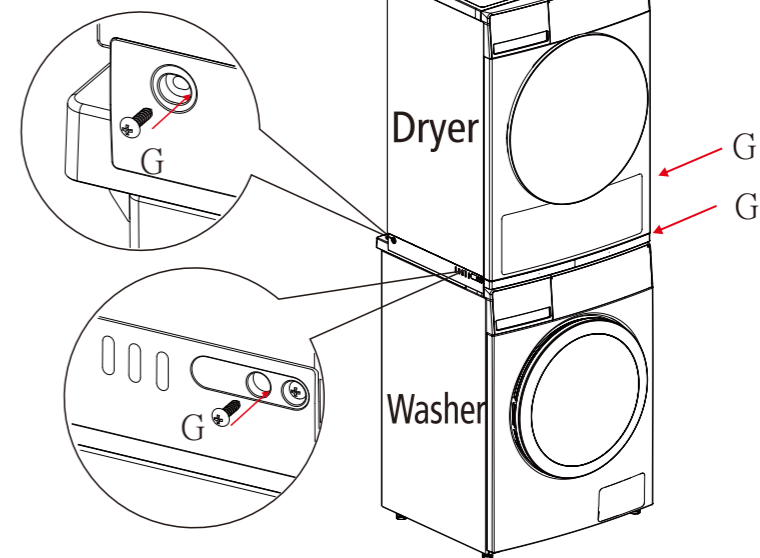
Front



*Place the dryer at the back of the top of the washer, and then push the dryer forward until the hole matches the hole*

9

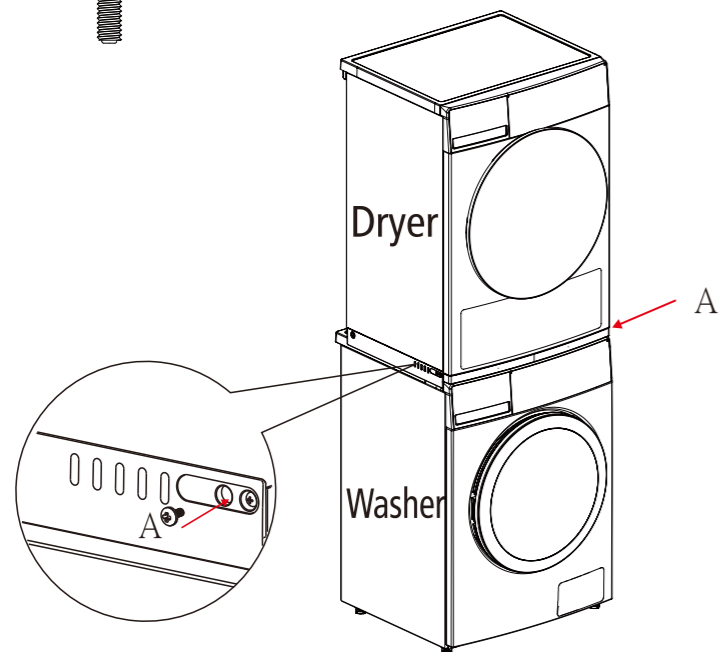
G×4:



*If the dryer base is not metal, tighten the front and rear four screws G.*

10

A×2:



*If the dryer base is metal, only tighten the front two screws A.*

11

E×2: F×2:

