

With Elvita, you make room for all the things you appreciate. You get carefully selected products with smart solutions for a good price, designed to make life easy.



Cross door



Convertible compartment



Auto defrost



Super Freeze

## CKD6910X Cross door fridge freezer

- 1905 mm height
- 429 litre refrigerator capacity
- 171 litre freezer capacity
- Door alarm
- Energy efficiency class E

### The fridge freezer that has it all

This is a modern fridge freezer with a large volume and lots of storage options. The cross door design allows for easy access and organising in both the refrigerator and freezer compartments. If you are interested in design, as well as maximising convenience, this is the fridge freezer for you.

### Varied and adjustable storage options

There are many ways of storing all types of food in this fridge freezer. Whether it be keeping fruits and vegetables fresh or frozen food nutritious and tasty for a very long time in the four-star compartments, this product can do it. A generous 90-litre storage section can be used as either a fridge or a freezer compartment, making it possible to adapt to your specific storage needs.

### Convenient controls

Easily change the settings on the LED control panel on the front of the fridge freezer. Adjust the temperature or activate one of the desired functions, such as quick freezing with Super Freeze, or energy-saving using ECO or Holiday mode. The control lock prevents any accidental changes to the settings.

### User- and environmentally friendly

Let the fridge freezer do the job. The automatic defrost takes care of any frost build-up. The product runs quietly and is energy efficient both for you and the environment.



## Product properties

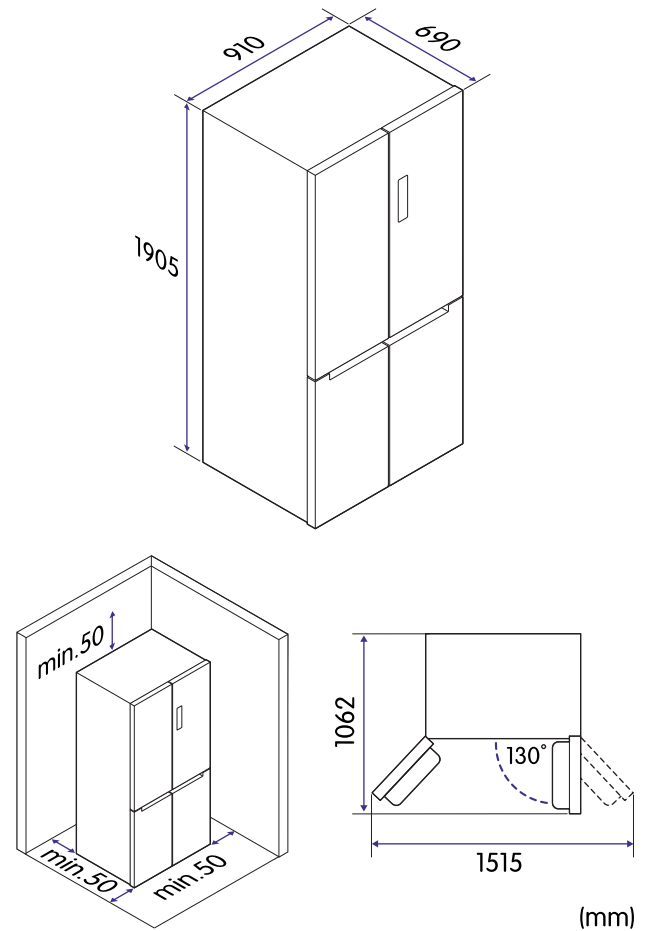
Colour	Inox
Installation	Freestanding, cross door
Auto defrost	Yes
Display	Touch
Super freeze	Yes
Door alarm	Yes
LED lights	Yes
Door hinges	Cross door (left/right)
Refrigerator volume	429 l
Freezer volume	81 l
Convertible compartment volume	90 l
Bottle rack	No
Ice maker	No
Adjustable bottom feet	Front

## Technical specifications

Net weight	92 kg
Height	1905 mm
Width	910 mm
Depth	690 mm
Food safe during power outage	10 hour
Number of compressors	1
Total volume	600 l
Energy consumption	326 kWh/year
Power supply	220~240 V / 50 Hz
Cord length	2.6 m
Rated current	1.5 A
Rated power	150 W
Airborne acoustical noise emission	39 dBA
Airborne acoustical noise emission class	C
Climate class	SN/N/ST/T
Energy efficiency class	E
Model identifier	CKD6910X

For details about the energy efficiency of the product, go to <https://eprel.ec.europa.eu/>. Use the model identifier to find information.

## Dimensions



The information may be subject to changes. Inadvertent errors in information may occur.

## Energy label

