

With Elvita, you make room for all the things you appreciate. You get carefully selected products with smart solutions for a good price, designed to make life easy.



ECO



Delay



Drum clean



Speed wash

CTM5814V Washing machine

- Rated capacity 8 kg
- Maximum spin speed 1400 rpm
- 15 selectable programmes
- Energy efficiency class B

A designed premium washing machine

This exclusive washing machine has an elegant black touch panel, many options, and selectable programmes. The ECO programme is designed to reduce water and energy usage, making it an environmentally-friendly option. If you are interested in both sustainability and design, this is the washing machine for you.

Smart and efficient washing programmes

The washing machine offers a wide variety of programmes tailored for washing clothes and textiles made of cotton, synthetics, wool and mixed fabrics. It also has special programmes for stain removal and sportswear. If you're in a rush, one of the programmes can get your laundry done in just 14 minutes. You can use the Delay feature to decide when the laundry will be done.

A higher level of clean with Drum clean

This washing machine offers a superior level of cleanliness with its smart Drum clean programme. It prevents unpleasant odours, mould, and detergent build-up, keeping the machine fresh and hygienic, which is essential for consistently clean laundry. Additionally, the Drum clean programme extends the machine's lifespan by maintaining optimal performance, making it an ideal choice for your home.

Customise programmes to suit your needs

Besides the washing programmes, this washing machine has settings to adjust temperature and spin speed, set the soil level, and add steam or an extra rinse. This washer is flexible and an excellent companion for all your laundry needs.



Product properties

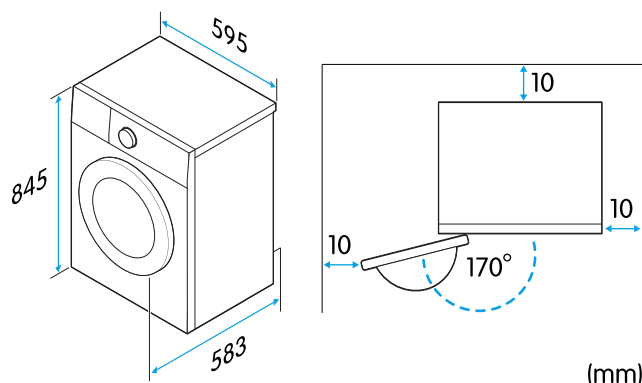
Colour	White
Installation	Freestanding
Loading	Front loaded
Washing capacity	8 kg
Maximum spin speed	1400 rpm
Display	Yes
Automatic detergent dispenser	No
Delayed start	Yes
Extra rinse	Yes
Steam function	Yes
Child safety lock	Yes

Technical specifications

Net weight	64 kg
Volume, drum	55 l
Height	845 mm
Width	595 mm
Depth	583 mm
Door hinge	Left
Water inlet hose length	1.8 m
Water outlet hose length	1.8 m
Power supply	220-240 V, 50 Hz
Cord length, plug type	1.8 m, earthed
Rated current	10 A
Rated power	2200 W
Standard water pressure	0.1 MPa ~ 1 MPa
Rated spinning noise level	76 dB
Spinning noise class	B
Rated remaining moisture content after ECO 40-60 programme	53.3 %
Weighted water consumption, washing, based on the ECO 40-60 programme, full load	47 l/cycle
Energy efficiency class	A
Spin-drying efficiency class	B
Model identifier	CTM5814V

For details about the energy efficiency of the product, go to <https://eprel.ec.europa.eu/>. Use the model identifier to find information.

Dimensions



The information may be subject to changes. Inadvertent errors in information may occur.

Energy label

