

With Elvita, you make room for all the things you appreciate. You get carefully selected products with smart solutions for a good price, designed to make life easy.



HotAir



Grill



Child lock



WaterClean

CUI4705V White built-in convection oven

- 60 cm wide — standard dimension
- Shallow tray, deep tray, oven grid
- LED display and two control knobs
- 71 l cavity
- Child safety lock

A large oven for those who want to cook together

This is a large size, white, built-in oven with a 71-litre volume. It has many popular features like convection, grill, and child safety lock. It is perfect for those who want to bake or cook together.

Even heat with a convection oven

The heat is more evenly distributed in a convection oven compared to a conventional oven. It is also faster, which comes in handy if you are in a hurry. With the HotAir feature, you can cook and bake on several levels at the same time.

Several smart features

The oven has nine programmes for culinary adventures and advanced baking. It has a distinct LED display and it is easy to set up. It is a large oven, with a volume of 71 litres, which make it suitable for bigger families. With two heating elements you will always achieve perfect grill results.

Every vital accessory

The oven comes with two shallow trays, one deep tray, and one oven grid. That is everything you need to be successful with baking and cooking.

Super simple cleaning with WaterClean

It is easy-peasy to clean this oven. You use steam and there is no need for any chemicals: pour water on a tray, turn the heat on for 30 min and wipe it clean. We call it WaterClean.

Made with safety and the environment in mind

The oven is safe and carries the CE mark, which is good for both you and the environment.



Product properties

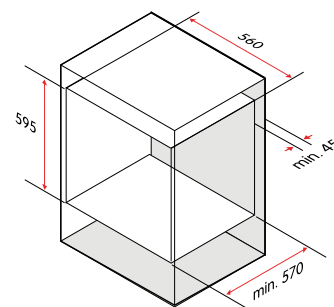
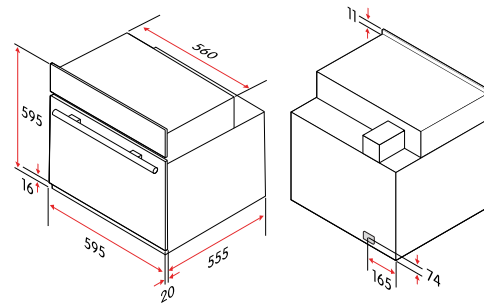
Colour	White
Installation	Built-in
Heat source	Electric
Top and bottom heat	Yes
Bottom heat	Yes
Type of control	Touch and knob
Digital display	Yes
Maximum temperature	250 °C
Oven lamp	Yes
Convection heating	Yes
Grill	Yes
Timer	Yes
Microwave function, output	No, -
Cleaning function	WaterClean
Child safety lock	Yes
Cooling fan	Yes
Food probe	No
Easy-clean oven glass	Yes
Number of trays/racks	2 trays, 1 pan, 1 rack

Technical specifications

Net weight	32.1 kg
Capacity	71 l
Height	595 mm
Width	595 mm
Depth	575 mm
Built-in dimensions, min. height	595 mm
Built-in dimensions, min. depth	570 mm
Built-in dimensions, min. width	560 mm
Power supply	230 V
Cord length, plug type	1.1 m, Schuko
Rated current	16 A
Maximum rated power	3000 W
Energy efficiency class	A+
Energy efficiency index	94
Energy consumption, conventional	0.85 kWh / cycle
Energy consumption, forced air convection	0.60 kWh / cycle
Model identifier	CUI4705V

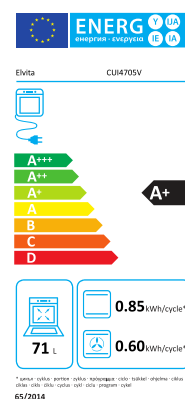
For details about the energy efficiency of the product, go to <https://eprel.ec.europa.eu/>. Use the model identifier to find information.

Dimensions



(mm)

Energy label



The information may be subject to changes. Inadvertent errors in information may occur.